

**VELOCE FRAME CATALOGUE**

VELOCE FRAME ASSEMBLY	1
-----------------------	---

**BACKREST CATALOGUE**

CARBON BACK CANES	8
ALUMINUM BACK CANES	16
INTEGRATED PUSH HANDLE BACK CANES	21

**FOOTREST CATALOGUE**

ONE PIECE FOOTPLATES	24
ONE PIECE FOOTPLATE VELOCE EXTENSIONS	27
HIGH MOUNT FOOTPLATE VELOCE EXTENSIONS	29

**ARMREST CATALOGUE**

ARMRESTS	32
ARMRESTS - FLIP BACK RECEIVER	43
ARMRESTS - T TYPE RECEIVER	47
ARMRESTS - SWING AWAY RECEIVER	49
BACK CANE HARDWARE	51

**REAR WHEEL CATALOGUE**

TIRES	57
REAR WHEELS	58
MULTI-POSITION REAR WHEEL MOUNTING PLATES	59
QUICK RELEASE & PERMANENT AXLE	61
HANDRIMS	63
HANDRIM HARDWARE	64
SPOKE GUARDS	66
ONE ARM DRIVE KIT	68

**FRONT WHEEL CATALOGUE**

FRONT CASTER WHEELS	70
VELOCE CASTER HOUSING	71

**WHEEL LOCK CATALOGUE**

WHEEL LOCK - PUSH & PULL	74
WHEEL LOCK - SCISSOR WITH ADAPTOR	81
GRADE AID WITH AND WITHOUT 6 IN EXTENSION	84
WHEEL LOCK - CLAMPS	87

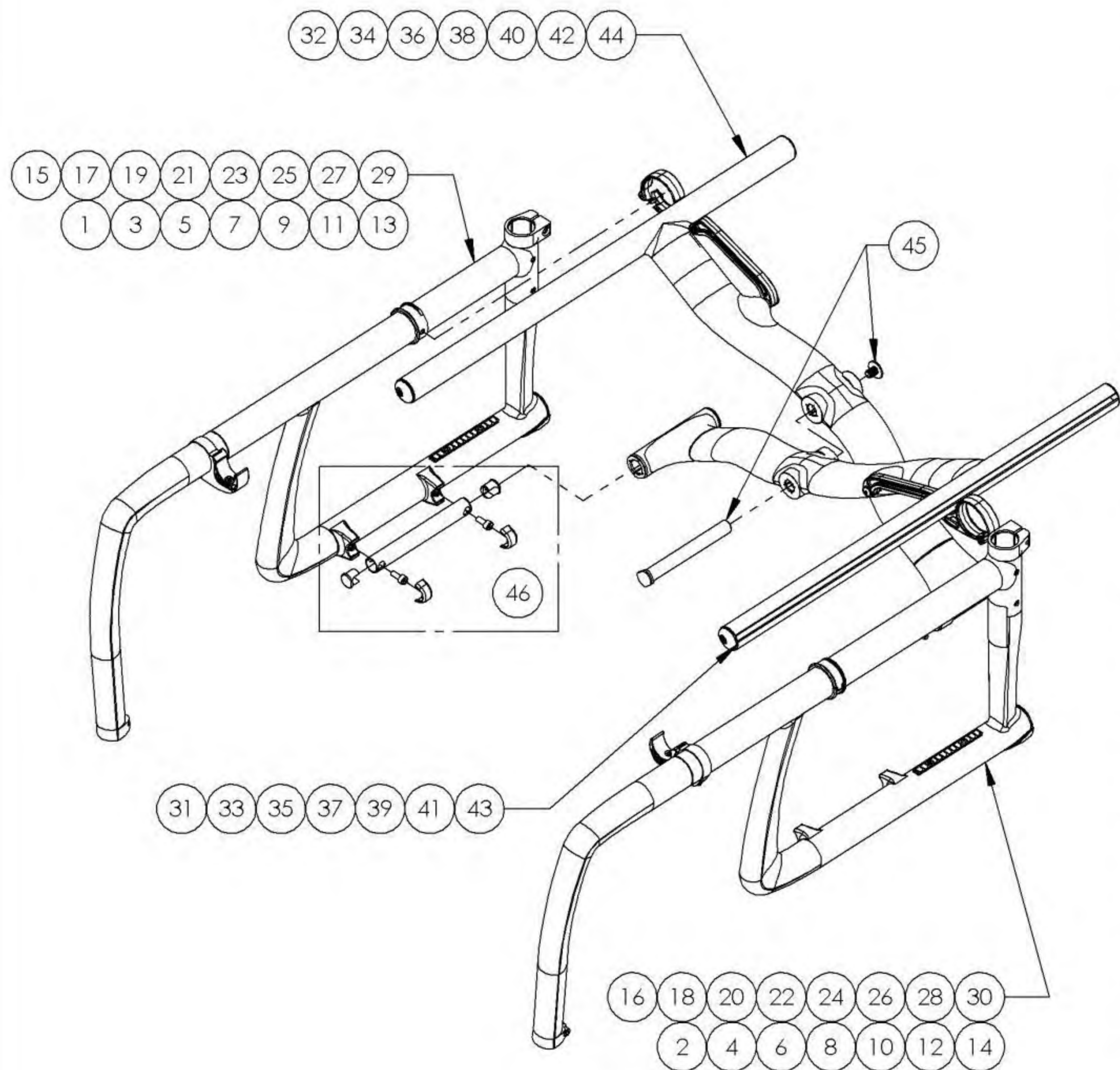
**ACCESSORIES CATALOGUE**

ANTI-TIPPERS	89
ARMY PATCHES	94
POSITIONING SEATBELTS	95
POSITIONING SEATBELTS - BODYPOINT 2 AND 4 POINTS	97
POSITIONING SEATBELTS - ADDITIONAL HARDWARE	99
CALF STRAPS	100
CANE HOLDERS	103
CLOSING STRAPS	105
CUSHIONS	106
FOLDING STABILIZER BARS	109
FOOTREST NEOPREN IMPACT GUARDS - VELOCE	111
HEAD RESTS	112
SEAT POUCH	113
SIDEGUARDS & MUDGUARDS	114
REMOVABLE SIDEGUARD & MUDGUARD RECEIVER	123
SLIDING SEAT SLINGS	125
UPHOLSTERY	127
SLIP ON UPHOLSTERY	129
STROLLER HANDLES	132
TOOL KIT	134
HELIO T-SHIRT	136

**QUICK ORDER CATALOGUE**

LINK + HARDWARE	137
REAR BUSHING ASSEMBLY	139
REAR WHEEL ASSEMBLY	141

## Veloce Frame Assembly

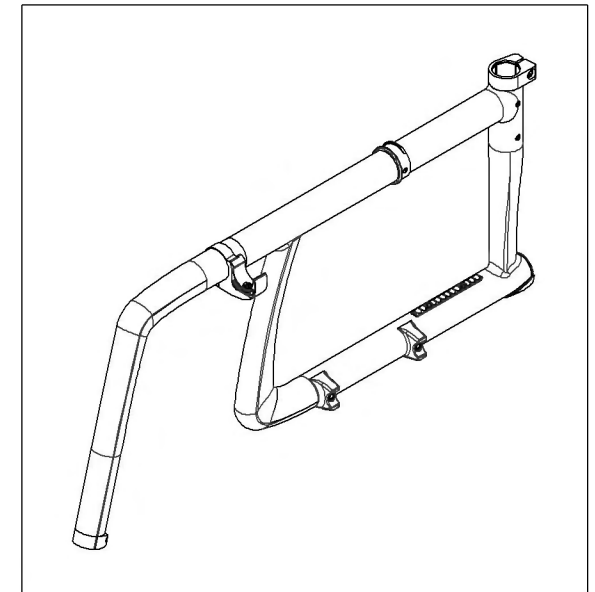
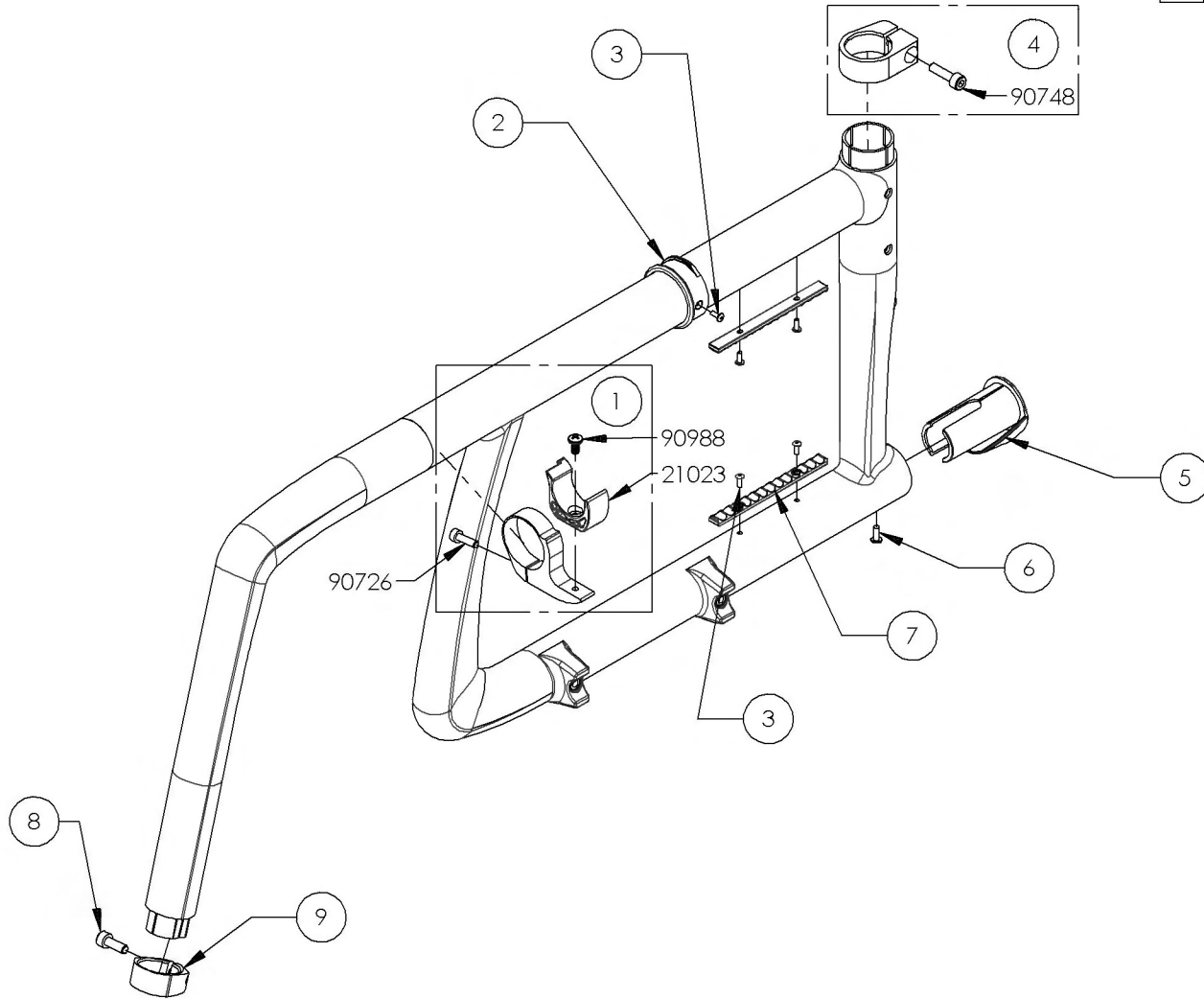


ITEM NO.	PARTNO	DESCRIPTION	QTY
1	9001181	Frame - Carbon Fiber, Right, 16 in Seat Depth, 70° Front Angle	1
2	9001196	Frame - Carbon Fiber, Left, 16 in Seat Depth, 70° Front Angle	1
3	9001182	Frame - Carbon Fiber, Right, 16 in Seat Depth, 80° Front Angle	1
4	9001197	Frame - Carbon Fiber, Left, 16 in Seat Depth, 80° Front Angle	1
5	9001183	Frame - Carbon Fiber, Right, 16 in Seat Depth, 90° Front Angle	1
6	9001198	Frame - Carbon Fiber, Left, 16 in Seat Depth, 90° Front Angle	1
7	9001184	Frame - Carbon Fiber, Right, 17 in Seat Depth, 70° Front Angle	1
8	9001199	Frame - Carbon Fiber, Left, 17 in Seat Depth, 70° Front Angle	1
9	9001185	Frame - Carbon Fiber, Right, 17 in Seat Depth, 80° Front Angle	1
10	9001200	Frame - Carbon Fiber, Left, 17 in Seat Depth, 80° Front Angle	1
11	9001186	Frame - Carbon Fiber, Right, 17 in Seat Depth, 90° Front Angle	1
12	9001201	Frame - Carbon Fiber, Left, 17 in Seat Depth, 90° Front Angle	1
13	9001187	Frame - Carbon Fiber, Right, 18 in Seat Depth, 70° Front Angle	1
14	9001202	Frame - Carbon Fiber, Left, 18 in Seat Depth, 70° Front Angle	1
15	9001188	Frame - Carbon Fiber, Right, 18 in Seat Depth, 80° Front Angle	1
16	9001203	Frame - Carbon Fiber, Left, 18 in Seat Depth, 80° Front Angle	1
17	9001189	Frame - Carbon Fiber, Right, 18 in Seat Depth, 90° Front Angle	1
18	9001204	Frame - Carbon Fiber, Left, 18 in Seat Depth, 90° Front Angle	1
19	9001190	Frame - Carbon Fiber, Right, 19 in Seat Depth, 70° Front Angle	1
20	9001205	Frame - Carbon Fiber, Left, 19 in Seat Depth, 70° Front Angle	1
21	9001191	Frame - Carbon Fiber, Right, 19 in Seat Depth, 80° Front Angle	1
22	9001206	Frame - Carbon Fiber, Left, 19 in Seat Depth, 80° Front Angle	1
23	9001192	Frame - Carbon Fiber, Right, 19 in Seat Depth, 90° Front Angle	1
24	9001207	Frame - Carbon Fiber, Left, 19 in Seat Depth, 90° Front Angle	1
25	9001193	Frame - Carbon Fiber, Right, 20 in Seat Depth, 70° Front Angle	1
26	9001208	Frame - Carbon Fiber, Left, 20 in Seat Depth, 70° Front Angle	1
27	9001194	Frame - Carbon Fiber, Right, 20 in Seat Depth, 80° Front Angle	1
28	9001209	Frame - Carbon Fiber, Left, 20 in Seat Depth, 80° Front Angle	1
29	9001195	Frame - Carbon Fiber, Right, 20 in Seat Depth, 90° Front Angle	1
30	9001210	Frame - Carbon Fiber, Left, 20 in Seat Depth, 90° Front Angle	1
31	9001020	X-Brace - Carbon Fiber, Front, 14 in Width (Specify Seat Depth)	1
32	9001029	X-Brace - Carbon Fiber, Rear, 14 in Width (Specify Seat Depth)	1
33	9001021	X-Brace - Carbon Fiber, Front, 15 in Width (Specify Seat Depth)	1
34	9001030	X-Brace - Carbon Fiber, Rear, 15 in Width (Specify Seat Depth)	1
35	9001022	X-Brace - Carbon Fiber, Front, 16 in Width (Specify Seat Depth)	1
36	9001031	X-Brace - Carbon Fiber, Rear, 16 in Width (Specify Seat Depth)	1
37	9001023	X-Brace - Carbon Fiber, Front, 17 in Width (Specify Seat Depth)	1
38	9001032	X-Brace - Carbon Fiber, Rear, 17 in Width (Specify Seat Depth)	1
39	9001024	X-Brace - Carbon Fiber, Front, 18 in Width (Specify Seat Depth)	1
40	9001033	X-Brace - Carbon Fiber, Rear, 18 in Width (Specify Seat Depth)	1
41	9001025	X-Brace - Carbon Fiber, Front, 19 in Width (Specify Seat Depth)	1
42	9001034	X-Brace - Carbon Fiber, Rear, 19 in Width (Specify Seat Depth)	1
43	9001026	X-Brace - Carbon Fiber, Front, 20 in Width (Specify Seat Depth)	1
44	9001035	X-Brace - Carbon Fiber, Rear, 20 in Width (Specify Seat Depth)	1
45	9001229	X-Brace - Center Shaft	1
46	9001230	X-Brace - Base Shaft	2

MAKE SURE TO HAVE YOUR SERIAL NUMBER NEARBY WHEN ORDERING PARTS FOR YOUR MOTION COMPOSITES WHEELCHAIR

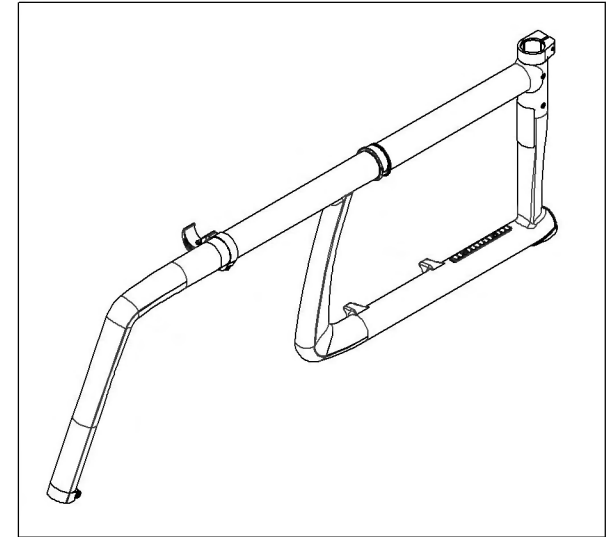
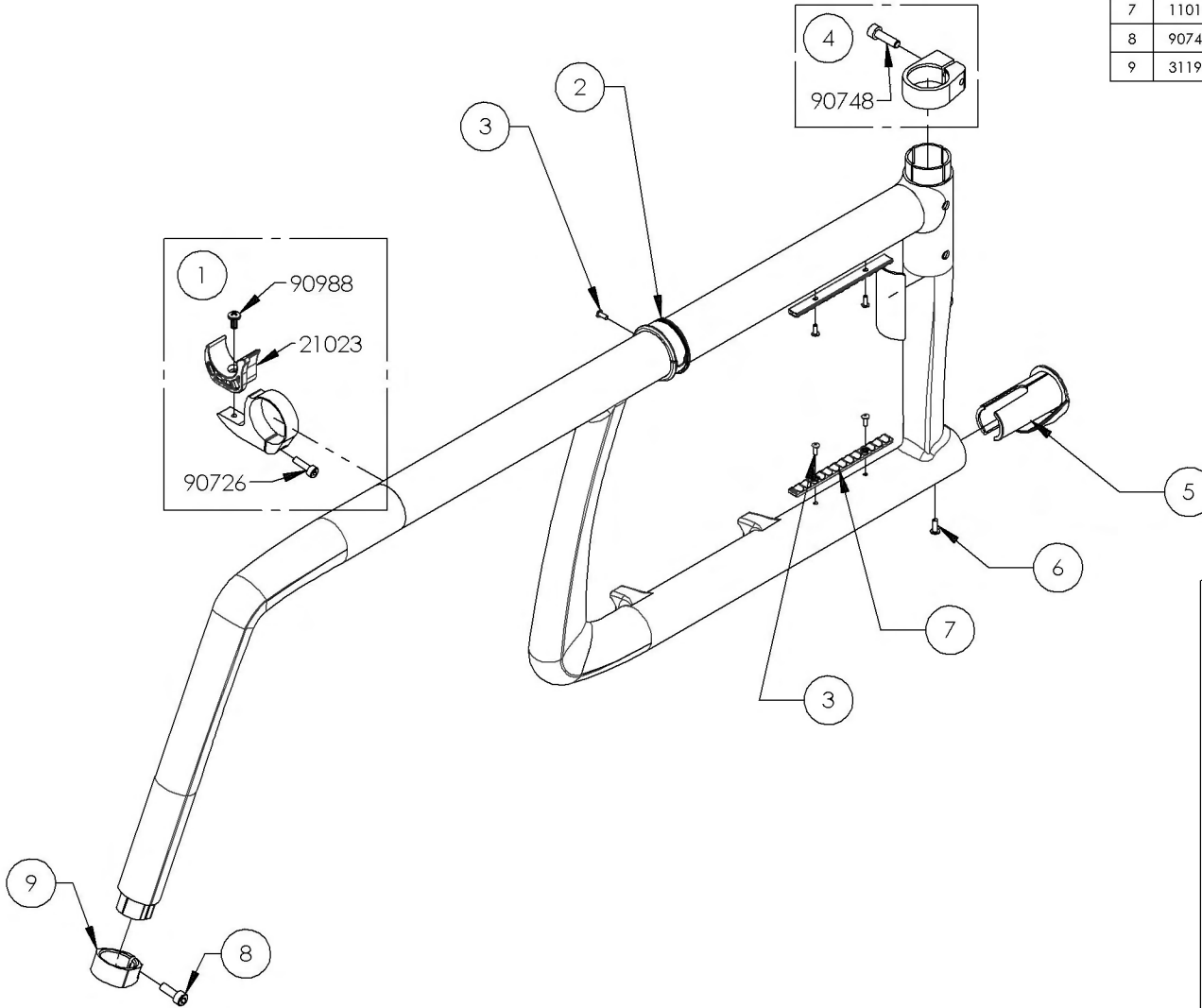
**9001181\_9001195**  
**Frame - Carbon Fiber, Right**

ITEM NO.	PARTNO	DESCRIPTION	9001181 - 9001195 /QTY.
1	11504	CLAMP H-BLOCK SEAT SUPPORT - ASSEMBLY	1
2	12140	LINK GUIDE	1
3	99660	POP RIVET 3_32 D X .365 L X .126_250	5
4	32530	BACKREST CLAMP RIGHT - ASSEMBLY	1
5	11020	ANTI-TIPPER BUMPER SLEEVE CARBON FRAME	1
6	99661	POP RIVET 1_8 DIA X .328 LGHT (.126_187 GRIP)	1
7	11015	MOUNTING RAIL	2
8	90745	SOCKET CAP SCREW MSX0.8 X 14mm LONG, FULLY THREADED	1
9	31197	VELOCE RIGHT FOOTREST EXTENSION CLAMP	1



**9001196\_9001210**  
**Frame - Carbon Fiber, Left**

ITEM NO.	PARTNO	DESCRIPTION	9001196 - 9001210 /QTY.
1	11504	CLAMP H-BLOCK SEAT SUPPORT - ASSEMBLY	1
2	12140	LINK GUIDE	1
3	99660	POP RIVET 3_32 D X .365 L X .126_250	5
4	32531	BACKREST CLAMP LEFT - ASSEMBLY	1
5	11020	ANTI-TIPPER BUMPER SLEEVE CARBON FRAME	1
6	99661	POP RIVET 1_8 DIA X .328 LGHT (.126_187 GRIP)	1
7	11015	MOUNTING RAIL	2
8	90745	SOCKET CAP SCREW M5X0.8 X 14mm LONG, FULLY THREADED	1
9	31195	VELOCE LEFT FOOTREST EXTENSION CLAMP	1



WHEELCHAIR COMPATIBILITY CHART

**VELOCE**

**HELIO C2**

**HELIO A7**

**HELIO KIDS**

**MOVE**

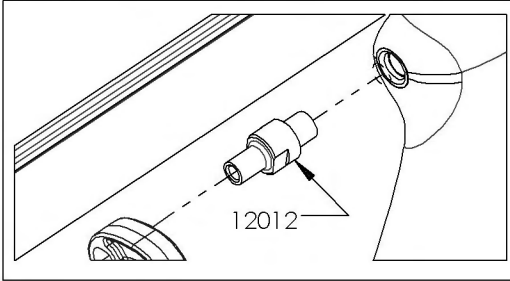
**HELIO C1**

MAKE SURE TO HAVE YOUR SERIAL NUMBER NEARBY WHEN ORDERING PARTS FOR YOUR MOTION COMPOSITES WHEELCHAIR

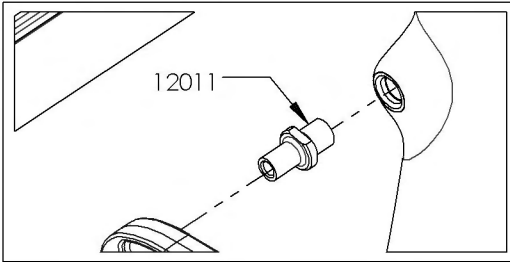
**9001018\_9001026**

**X-Brace - Carbon Fiber, Front (Specify Seat Depth)**

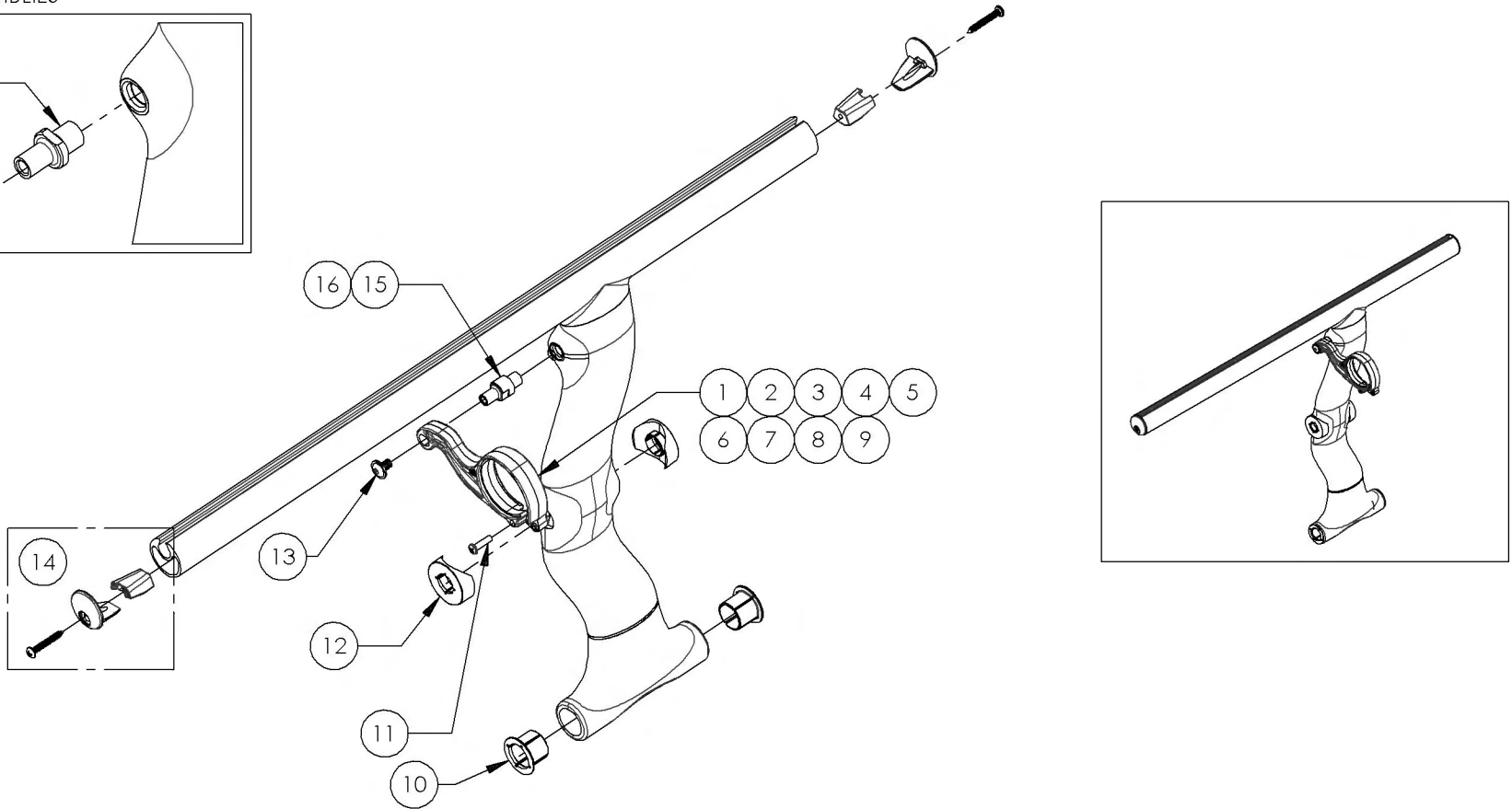
LINK STUD INCLUDED WITH THE 12" TO 16" ASSEMBLIES



LINK STUD INCLUDED WITH THE 17" TO 20" ASSEMBLIES

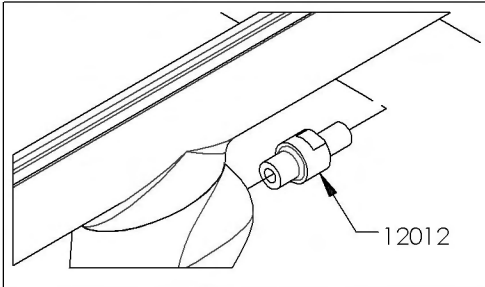


ITEM NO.	PARTNO	DESCRIPTION	9001018 /QTY.	9001019 /QTY.	9001020 /QTY.	9001021 /QTY.	9001022 /QTY.	9001023 /QTY.	9001024 /QTY.	9001025 /QTY.	9001026 /QTY.	REPLACEMENT PARTS/QTY.
1	12152	12in A7_C2 LINK	1	-	-	-	-	-	-	-	-	-
2	12153	13in A7_C2 LINK	-	1	-	-	-	-	-	-	-	-
3	12154	14in A7_C2 LINK	-	-	1	-	-	-	-	-	-	-
4	12155	15in A7_C2 LINK	-	-	-	1	-	-	-	-	-	-
5	12156	16in A7_C2 LINK	-	-	-	-	1	-	-	-	-	-
6	12157	17in A7_C2 LINK	-	-	-	-	-	1	-	-	-	-
7	12158	18in A7_C2 LINK	-	-	-	-	-	-	1	-	-	-
8	12159	19in A7_C2 LINK	-	-	-	-	-	-	-	1	-	-
9	12160	20in A7_C2 LINK	-	-	-	-	-	-	-	-	1	-
10	12006	C2 XBRACE BASE PIVOT SLEEVE V2	2	2	2	2	2	2	2	2	2	-
11	99000	SCREW PHILLIPS PAN HD #6-32 X 1/2	1	1	1	1	1	1	1	1	1	-
12	12145	C2 XBRACE CENTER PIVOT SLEEVE	2	2	2	2	2	2	2	2	2	-
13	91009	FLANGE BUTTON HEAD CAP SCREW, M5X.8 X 8mm	1	1	1	1	1	1	1	1	1	-
14	12013	CARBON SLOTTED SEAT TUBE PLUG	2	2	2	2	2	2	2	2	2	-
15	12012	LINK STUD 12-16" CARBON C2 XBRACE	-	-	-	-	-	-	-	-	-	1
16	12011	LINK STUD 17-22" CARBON C2 XBRACE	-	-	-	-	-	-	-	-	-	1

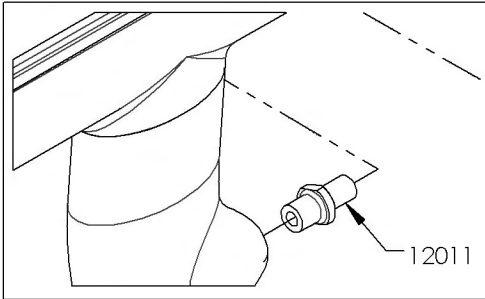


**9001027\_9001035**  
**X-Brace - Carbon Fiber, Rear (Specify Seat Depth)**

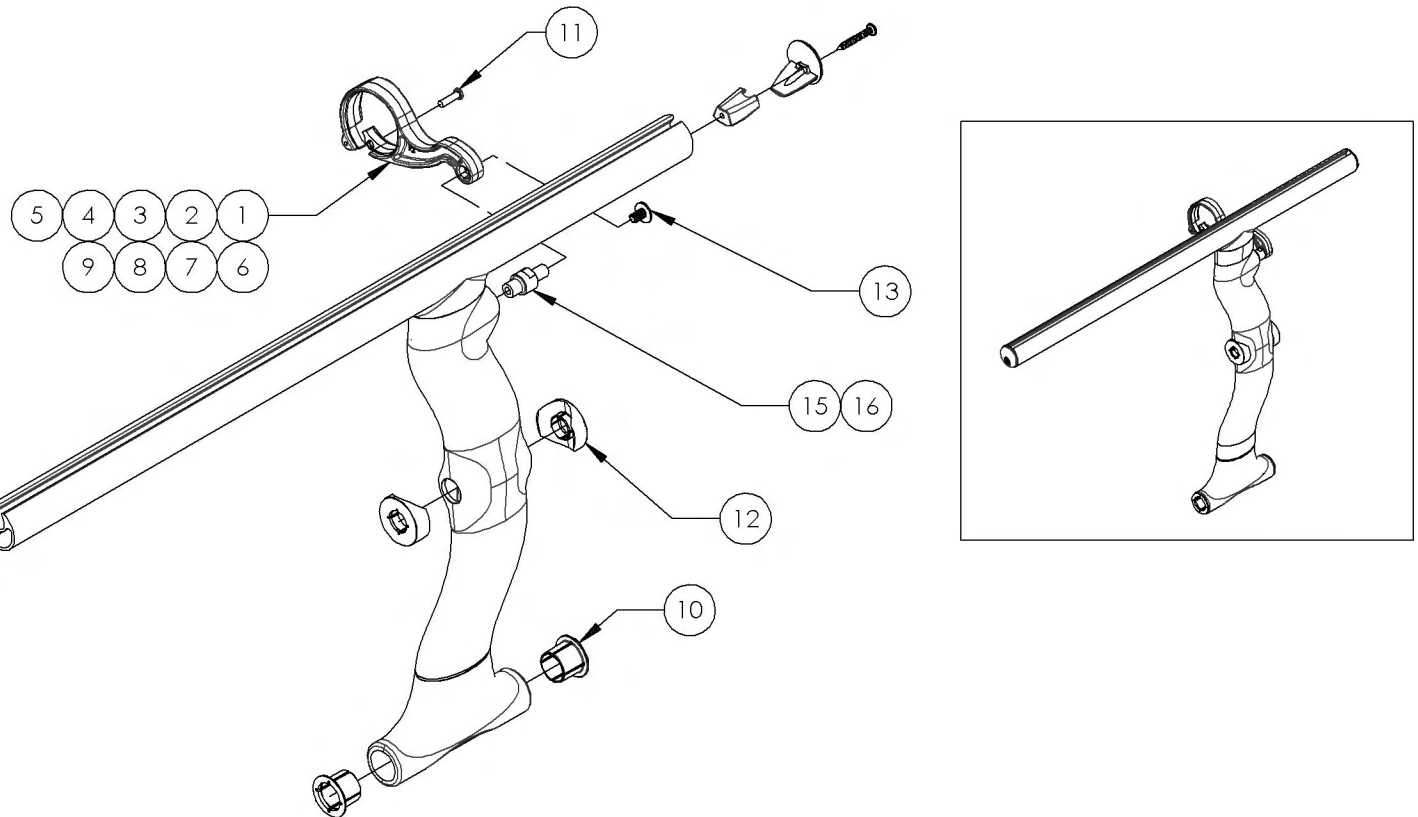
LINK STUD INCLUDED WITH THE 12" TO 16" ASSEMBLIES



LINK STUD INCLUDED WITH THE 17" TO 20" ASSEMBLIES

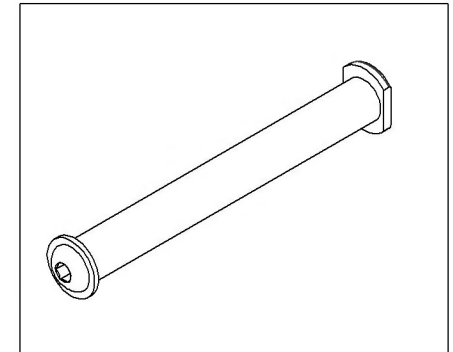
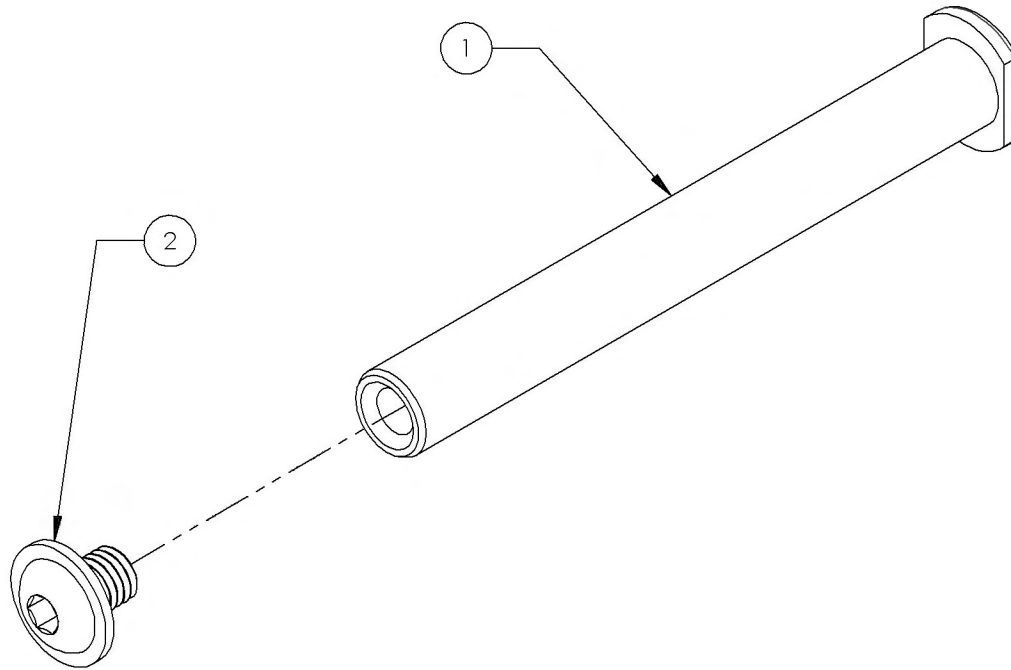


ITEM NO.	PARTNO	DESCRIPTION	9001027 /QTY.	9001028 /QTY.	9001029 /QTY.	9001030 /QTY.	9001031 /QTY.	9001032 /QTY.	9001033 /QTY.	9001034 /QTY.	9001035 /QTY.	REPLACEMENT PARTS/QTY.
1	12152	12in A7_C2 LINK	1	-	-	-	-	-	-	-	-	-
2	12153	13in A7_C2 LINK	-	1	-	-	-	-	-	-	-	-
3	12154	14in A7_C2 LINK	-	-	1	-	-	-	-	-	-	-
4	12155	15in A7_C2 LINK	-	-	-	1	-	-	-	-	-	-
5	12156	16in A7_C2 LINK	-	-	-	-	1	-	-	-	-	-
6	12157	17in A7_C2 LINK	-	-	-	-	-	1	-	-	-	-
7	12158	18in A7_C2 LINK	-	-	-	-	-	-	1	-	-	-
8	12159	19in A7_C2 LINK	-	-	-	-	-	-	-	1	-	-
9	12160	20in A7_C2 LINK	-	-	-	-	-	-	-	-	1	-
10	12006	C2 XBRACE BASE PIVOT SLEEVE V2	2	2	2	2	2	2	2	2	2	-
11	99000	SCREW PHILLIPS PAN HD #6-32 X 1/2	1	1	1	1	1	1	1	1	1	-
12	12145	C2 XBRACE CENTER PIVOT SLEEVE	2	2	2	2	2	2	2	2	2	-
13	91009	FLANGE BUTTON HEAD CAP SCREW, MSX.8 X 8mm	1	1	1	1	1	1	1	1	1	-
14	12013	CARBON SLOTTED SEAT TUBE PLUG	2	2	2	2	2	2	2	2	2	-
15	12012	LINK STUD 12-16" CARBON C2 XBRACE	-	-	-	-	-	-	-	-	-	1
16	12011	LINK STUD 17-22" CARBON C2 XBRACE	-	-	-	-	-	-	-	-	-	1



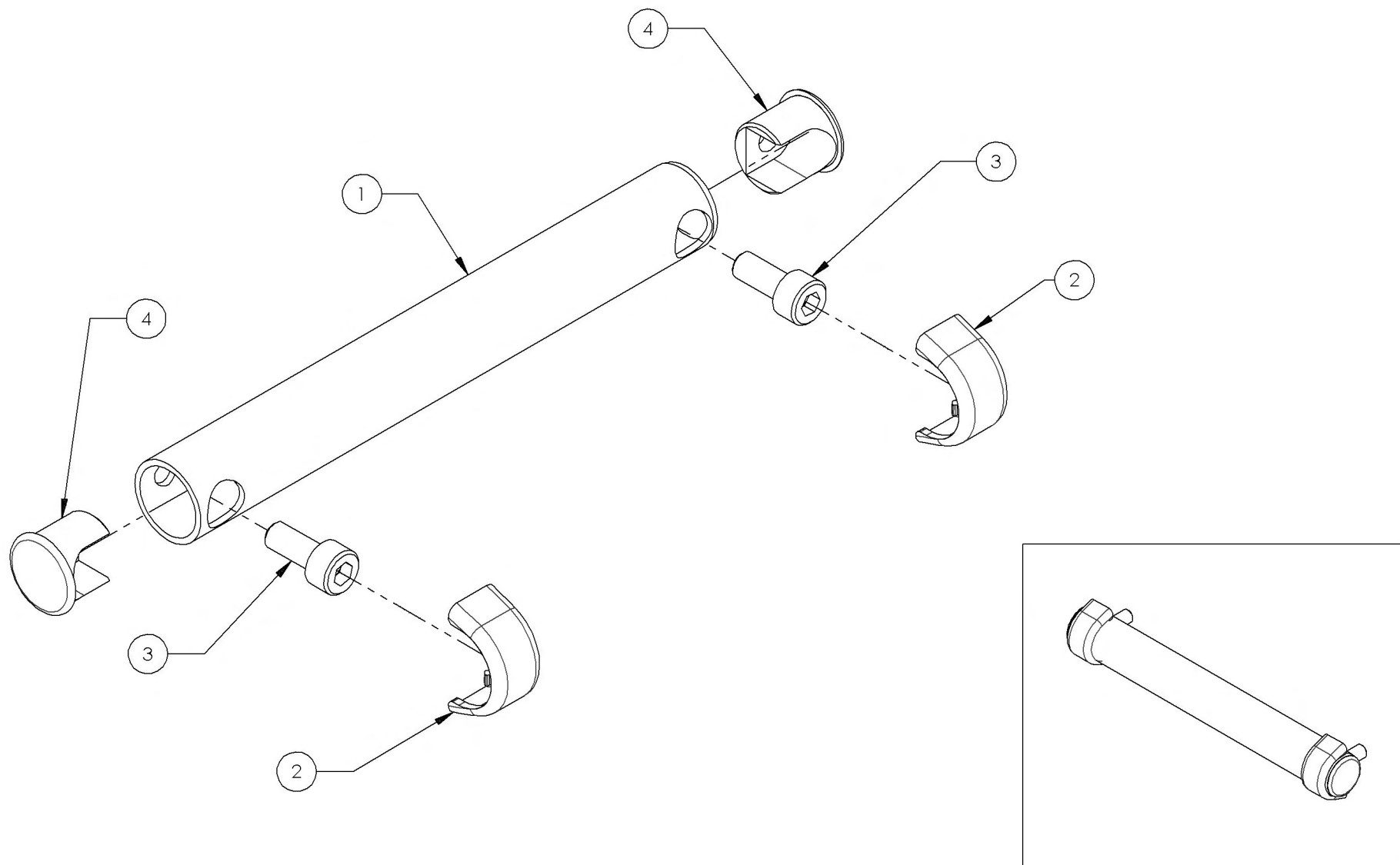
**9001229**  
**X-Brace - Center Shaft**

ITEM NO.	PARTNO	DESCRIPTION	9001229 /QTY.
1	12142	C2 XBRACE CENTER SHAFT	1
2	90994	FLANGE BUTTON HEAD CAP SCREW, M8X.8 X 10mm	1



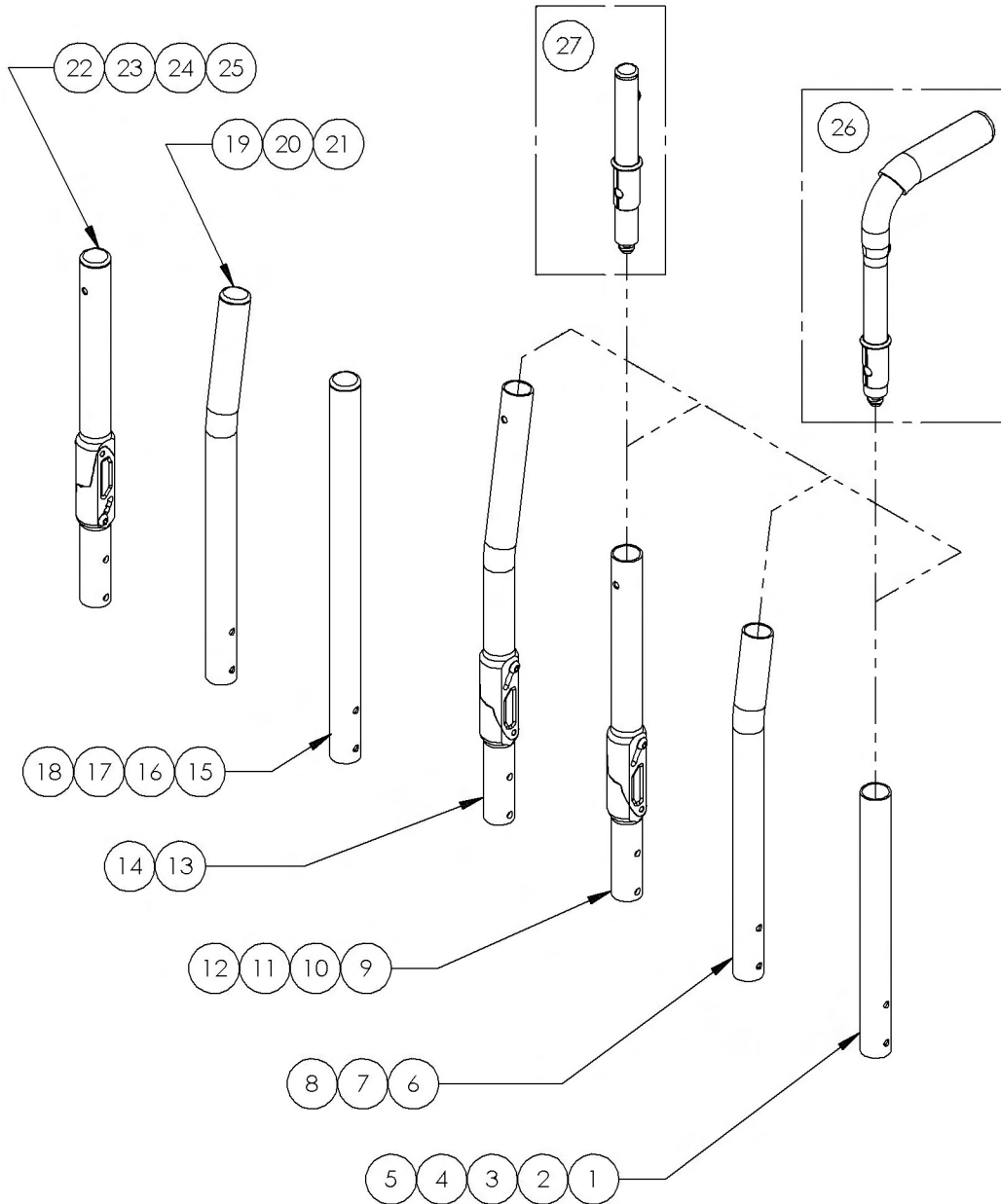
**9001230  
X-Brace - Base Shaft**

ITEM NO.	PARTNO	DESCRIPTION	9001230 /QTY.
1	12143	C2 XBRACE BASE SHAFT	1
2	12149	C2 XBRACE BASE PIVOT SHAFT PLASTIC CAP	2
3	90744	SOCKET CAP SCREW M5X0.8 X 12mm LONG, FULLY THREADED	2
4	12150	C2 XBRACE BASE PIVOT SHAFT ALU PLUG	2





**Backrests Catalogue  
Carbon Back Canes**



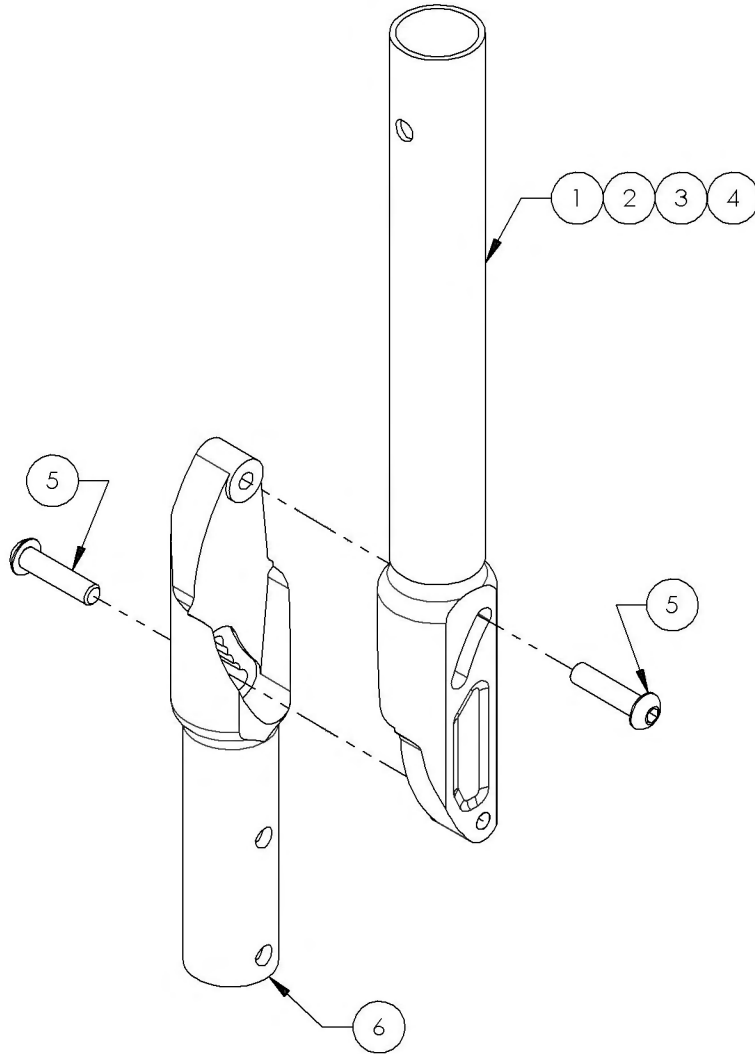
ITEM NO.	PARTNO	DESCRIPTION	QTY
1	9001239	Back Cane - Carbon Fiber, Straight, 9-12 in	1
2	9001240	Back Cane - Carbon Fiber, Straight, 12-15 in	1
3	9001241	Back Cane - Carbon Fiber, Straight, 15-18 in	1
4	9001242	Back Cane - Carbon Fiber, Straight, 18-21 in	1
5	9001243	Back Cane - Carbon Fiber, Straight, 21- 24 in	1
6	9001244	Back Cane - Carbon Fiber, 8° bend, 13¼-15 in	1
7	9001245	Back Cane - Carbon Fiber, 8° bend, 15-18 in	1
8	9001246	Back Cane - Carbon Fiber, 8° bend, 18-21 in	1
9	9001247	Back Cane - Carbon Fiber, Angle adjustable, Straight, 12-15 in	1
10	9001248	Back Cane - Carbon Fiber, Angle adjustable, Straight, 15-18 in	1
11	9001249	Back Cane - Carbon Fiber, Angle adjustable, Straight, 18-21 in	1
12	9001250	Back Cane - Carbon Fiber, Angle adjustable, Straight, 21-24 in	1
13	9001251	Back Cane - Carbon Fiber, Angle adjustable, 8° bend, 15-18 in	1
14	9001252	Back Cane - Carbon Fiber, Angle adjustable, 8° bend, 18-21 in	1
15	9001253	Back Cane - Carbon Fiber, Straight, Fixed 12 in	1
16	9001254	Back Cane - Carbon Fiber, Straight, Fixed 15 in	1
17	9001255	Back Cane - Carbon Fiber, Straight, Fixed 18 in	1
18	9001256	Back Cane - Carbon Fiber, Straight, Fixed 21 in	1
19	9001257	Back Cane - Carbon Fiber, 8° bend, Fixed 13¼ in	1
20	9001258	Back Cane - Carbon Fiber, 8° bend, Fixed 15 in	1
21	9001259	Back Cane - Carbon Fiber, 8° bend, Fixed 18 in	1
22	9001260	Back Cane - Carbon Fiber, Angle adjustable, Fixed 12 in	1
23	9001261	Back Cane - Carbon Fiber, Angle adjustable, Fixed 15 in	1
24	9001262	Back Cane - Carbon Fiber, Angle adjustable, Fixed 18 in	1
25	9001263	Back Cane - Carbon Fiber, Angle adjustable, Fixed 21 in	1
26	9001285	Push Handle	1
27	9001286	Without Push Handle - Straight Extension	1

MAKE SURE TO HAVE YOUR SERIAL NUMBER NEARBY WHEN ORDERING PARTS FOR YOUR MOTION COMPOSITES WHEELCHAIR

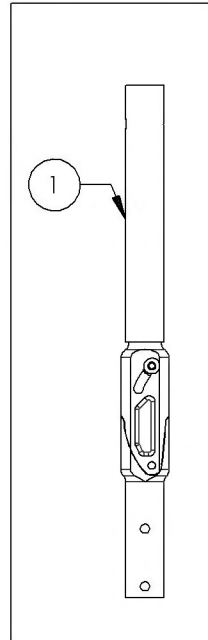
**9001247\_9001250**

**Back Cane - Carbon Fiber, Angle adjustable, Straight**

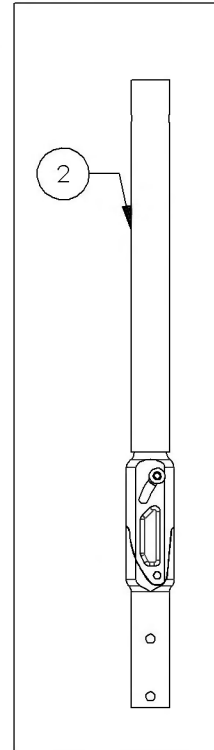
ITEM NO.	PARTNO	DESCRIPTION	9001247 /QTY.	9001248 /QTY.	9001249 /QTY.	9001250 /QTY.
1	32520	CARBON FIBER ADJUSTABLE ANGLE BACK CANE 13.5"-15" (M)	1	-	-	-
2	32521	CARBON FIBER ADJUSTABLE ANGLE BACK CANE 15"-18" (M)	-	1	-	-
3	32522	CARBON FIBER ADJUSTABLE ANGLE BACK CANE 18"-21" (M)	-	-	1	-
4	32527	CARBON FIBER ADJUSTABLE ANGLE BACK CANE 21"-24" (M)	-	-	-	1
5	90663	BUTTON HEAD CAP SCREW M6X1 X 25mm LONG, FULLY THREADED	2	2	2	2
6	32037	LOWER ADJUSTABLE BACKREST (M)	1	1	1	1



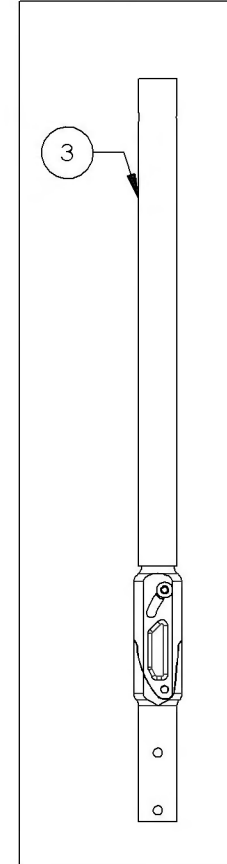
9001247  
Back Cane -  
Carbon Fiber, Angle  
adjustable, Straight,  
12-15 in



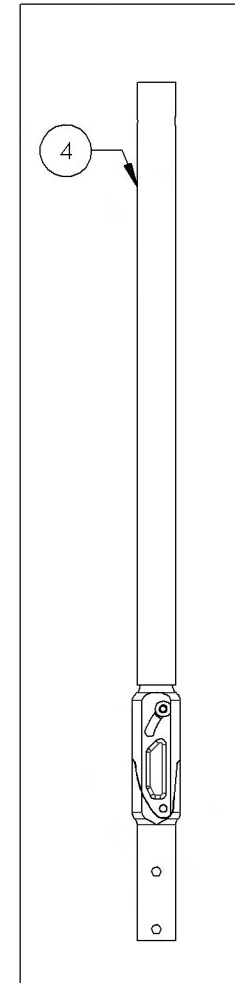
9001248  
Back Cane -  
Carbon Fiber, Angle  
adjustable, Straight,  
15-18 in



9001249  
Back Cane -  
Carbon Fiber,  
Angle adjustable,  
Straight, 18-21 in



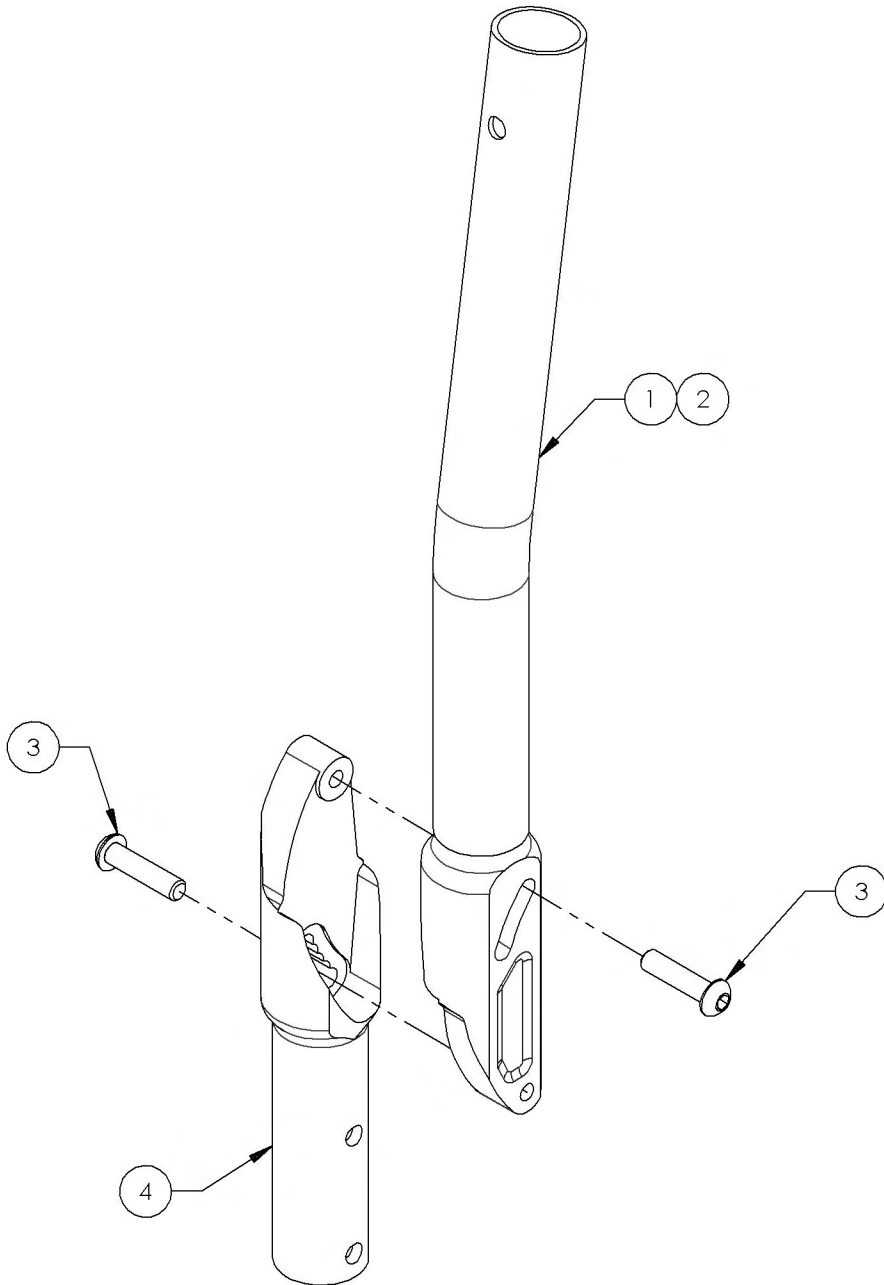
9001250  
Back Cane -  
Carbon Fiber, Angle  
adjustable, Straight,  
21-24 in



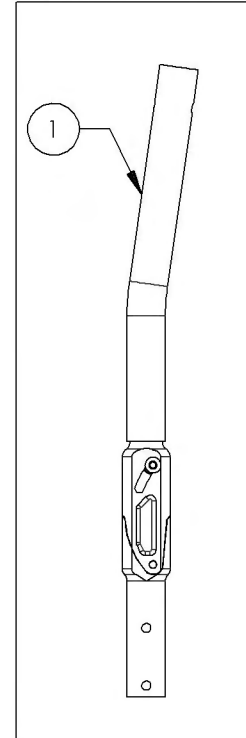
**9001251\_9001252**

**Back Cane - Carbon Fiber, Angle adjustable, 8° bend**

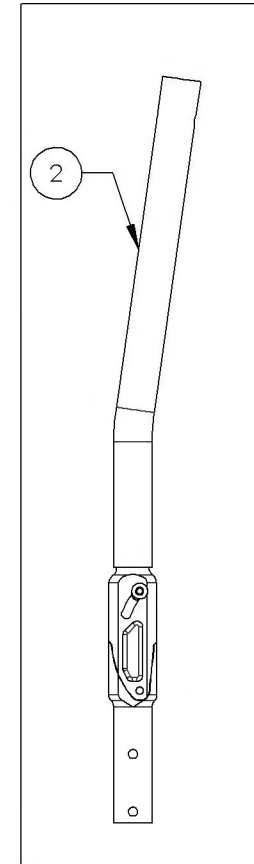
ITEM NO.	PARTNO	DESCRIPTION	9001251 /QTY.	9001252 /QTY.
1	32524	CARBON FIBER ADJUSTABLE ANGLE 8° BEND BACK CANE 15"-18" (M)	1	-
2	32525	CARBON FIBER ADJUSTABLE ANGLE 8° BEND BACK CANE 18"-21" (M)	-	1
3	90663	BUTTON HEAD CAP SCREW M6X1 X 25mm LONG, FULLY THREADED	2	2
4	32037	LOWER ADJUSTABLE BACKREST (M)	1	1



9001251  
Back Cane - Carbon  
Fiber, Angle  
adjustable, 8° bend,  
15-18 in



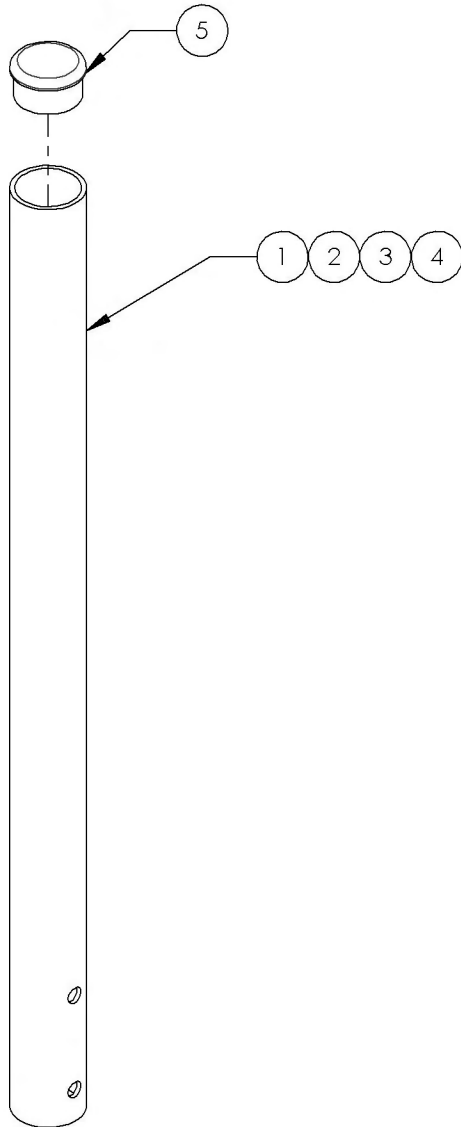
9001252  
Back Cane - Carbon  
Fiber, Angle  
adjustable, 8° bend,  
18-21 in



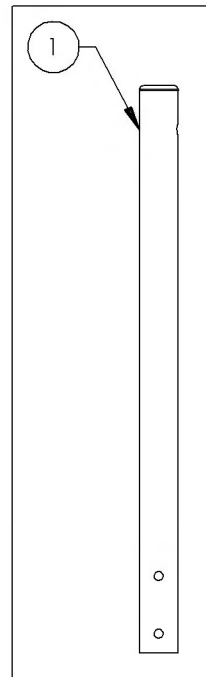
**9001253\_9001256**

**Back Cane - Carbon Fiber, Straight, Fixed Height**

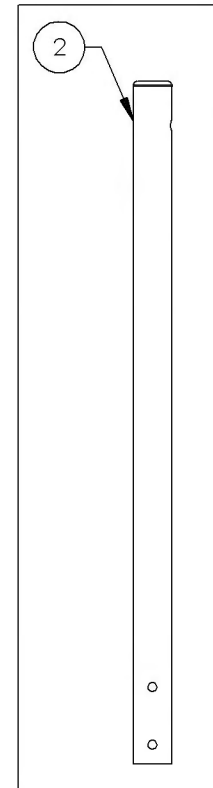
ITEM NO.	PARTNO	DESCRIPTION	9001253 /QTY.	9001254 /QTY.	9001255 /QTY.	9001256 /QTY.
1	32039	CARBON STRAIGHT BACK CANE 12" NO PUSH HANDLE (M)	1	-	-	-
2	32040	CARBON STRAIGHT BACK CANE 15" NO PUSH HANDLE (M)	-	1	-	-
3	32041	CARBON STRAIGHT BACK CANE 18" NO PUSH HANDLE (M)	-	-	1	-
4	32042	CARBON STRAIGHT BACK CANE 21" NO PUSH HANDLE (M)	-	-	-	1
5	99704	CAP 1 IN CARBON	1	1	1	1



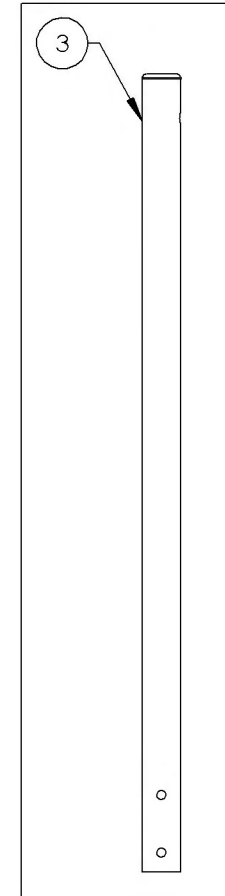
9001253  
Back Cane - Carbon  
Fiber, Straight, Fixed  
12 in



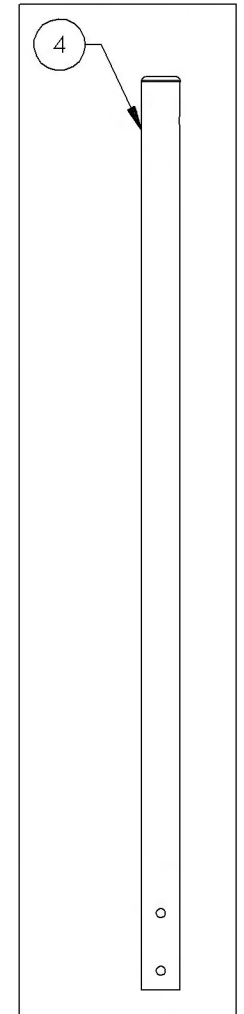
9001254  
Back Cane - Carbon  
Fiber, Straight, Fixed  
15 in



9001255  
Back Cane -  
Carbon Fiber,  
Straight, Fixed 18 in



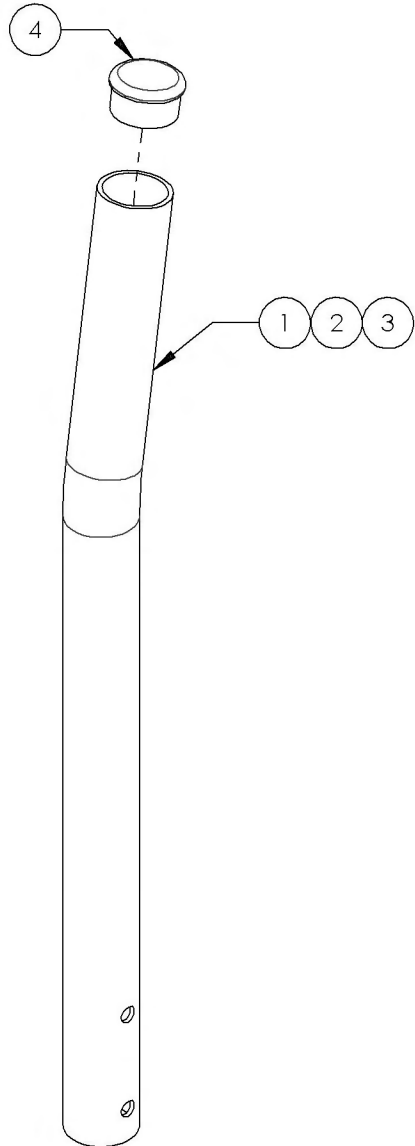
9001256  
Back Cane -  
Carbon Fiber,  
Straight, Fixed 21 in



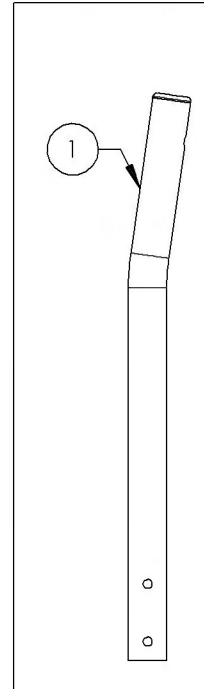
**9001257\_9001259**

**Back Cane - Carbon Fiber, 8° bend, Fixed Height**

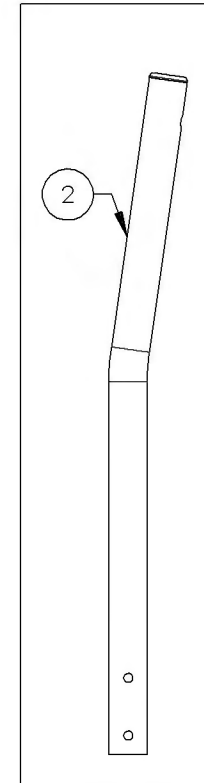
ITEM NO.	PARTNO	DESCRIPTION	9001257 /QTY.	9001258 /QTY.	9001259 /QTY.
1	32043	CARBON 8° BEND BACK CANE 13½" NO PUSH HANDLE (M)	1	-	-
2	32044	CARBON 8° BEND BACK CANE 15" NO PUSH HANDLE (M)	-	1	-
3	32045	CARBON 8° BEND BACK CANE 18" NO PUSH HANDLE (M)	-	-	1
4	99704	CAP 1 IN CARBON	1	1	1



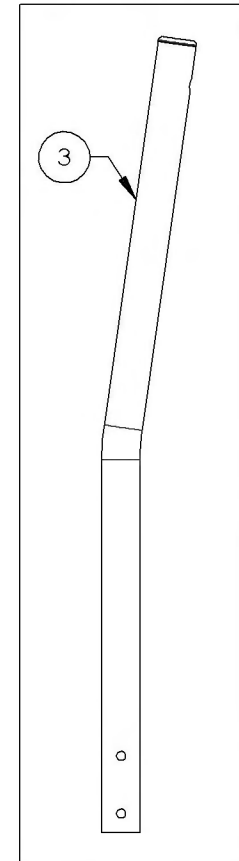
9001257  
Back Cane -  
Carbon Fiber, 8°  
bend, Fixed 13½ in



9001258  
Back Cane -  
Carbon Fiber, 8°  
bend, Fixed 15 in



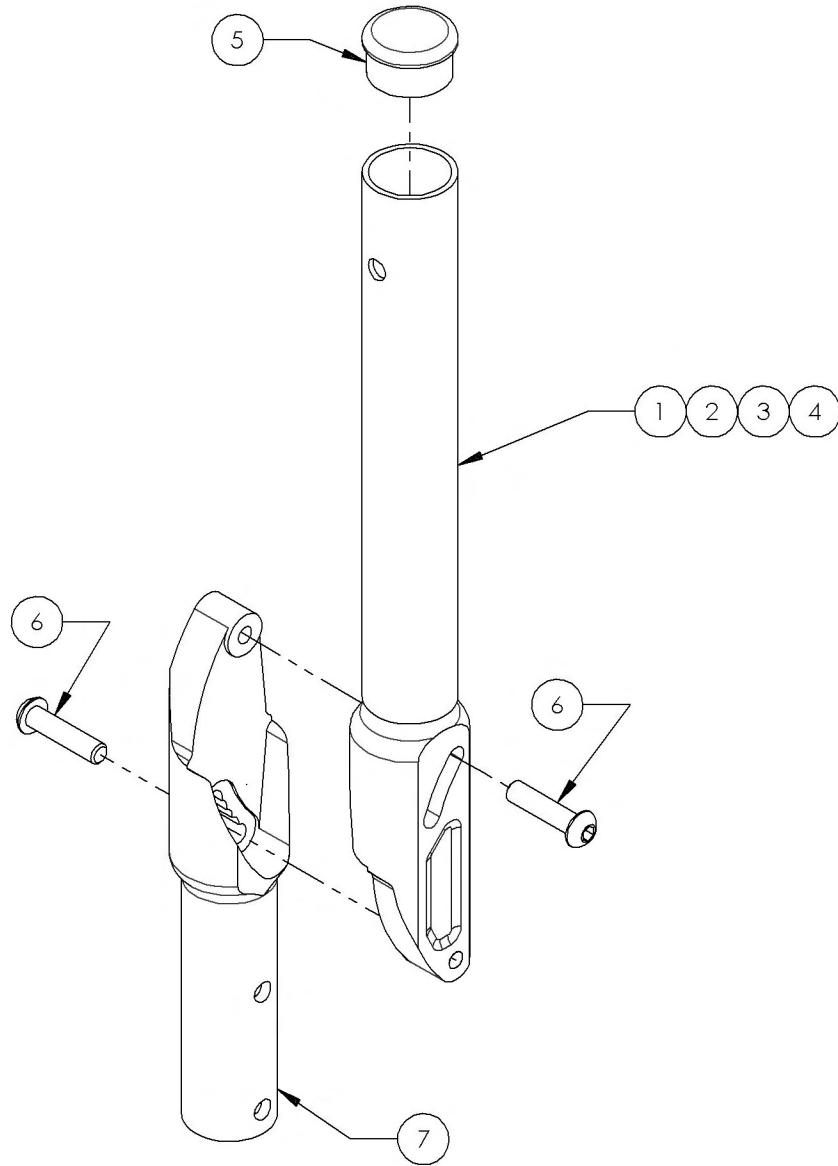
9001259  
Back Cane -  
Carbon Fiber, 8°  
bend, Fixed 18 in



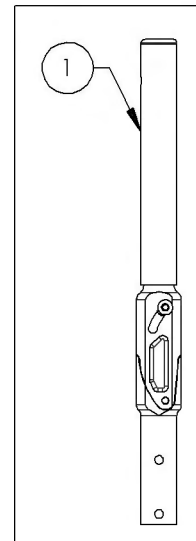
**9001260\_9001263**

**Back Cane - Carbon Fiber, Angle adjustable, Fixed Height**

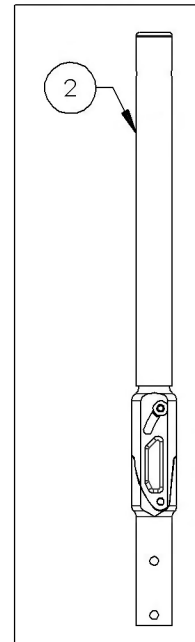
ITEM NO.	PARTNO	DESCRIPTION	9001260 /QTY.	9001261 /QTY.	9001262 /QTY.	9001263 /QTY.
1	32520	CARBON FIBER ADJUSTABLE ANGLE BACK CANE 13.5"-15" (M)	1	-	-	-
2	32521	CARBON FIBER ADJUSTABLE ANGLE BACK CANE 15"-18" (M)	-	1	-	-
3	32522	CARBON FIBER ADJUSTABLE ANGLE BACK CANE 18"-21" (M)	-	-	1	-
4	32527	CARBON FIBER ADJUSTABLE ANGLE BACK CANE 21"-24" (M)	-	-	-	1
5	99704	CAP 1 IN CARBON	1	1	1	1
6	90663	BUTTON HEAD CAP SCREW M6X1 X 25mm LONG, FULLY THREADED	2	2	2	2
7	32037	LOWER ADJUSTABLE BACKREST (M)	1	1	1	1



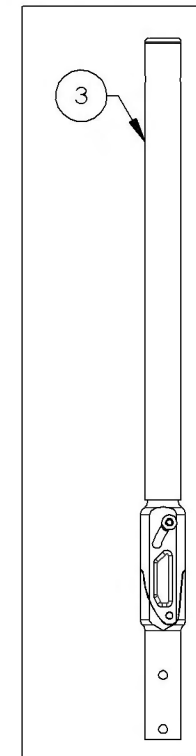
9001260  
Back Cane -  
Carbon Fiber,  
Angle adjustable,  
Fixed 12 in



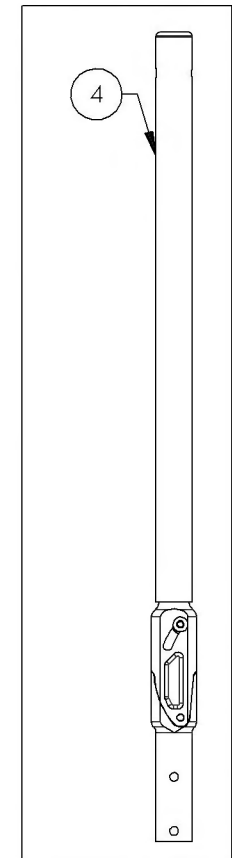
9001261  
Back Cane -  
Carbon Fiber,  
Angle adjustable,  
Fixed 15 in



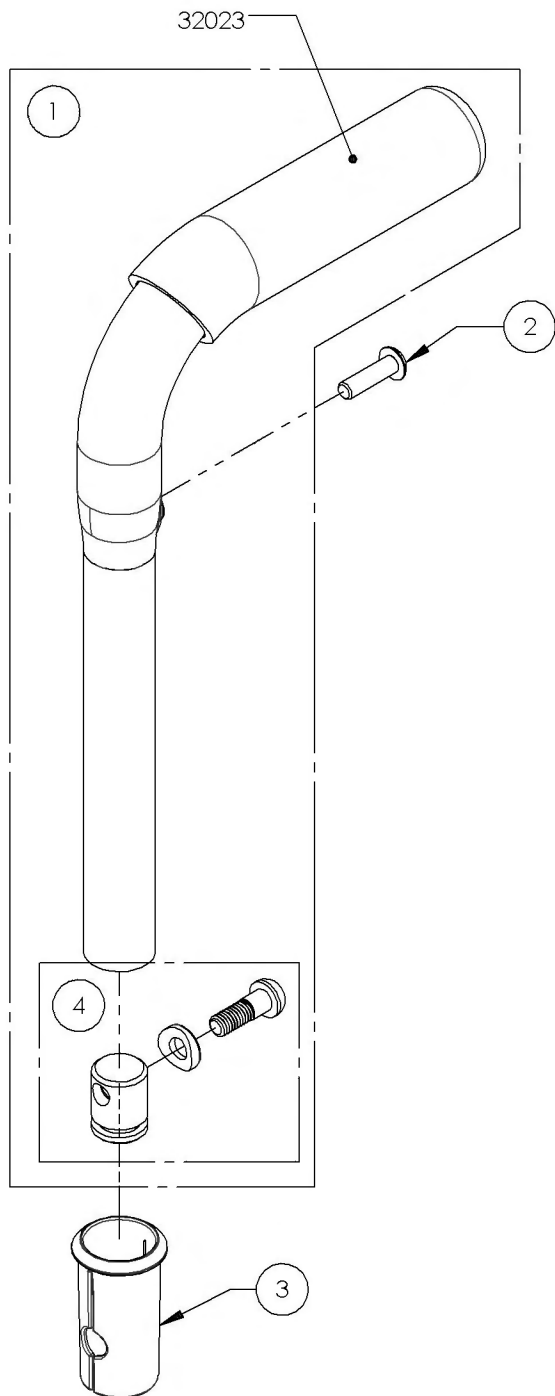
9001262  
Back Cane -  
Carbon Fiber,  
Angle adjustable,  
Fixed 18 in



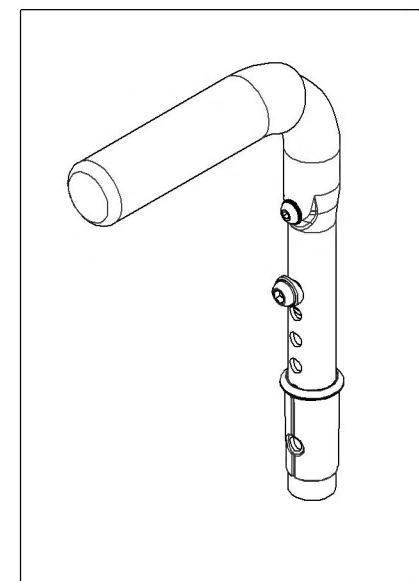
9001263  
Back Cane -  
Carbon Fiber,  
Angle adjustable,  
Fixed 21 in



**9001285  
Push Handle**

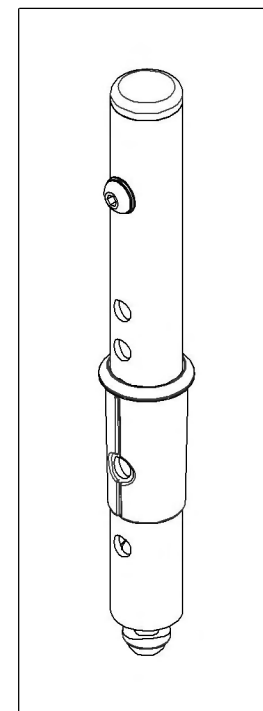
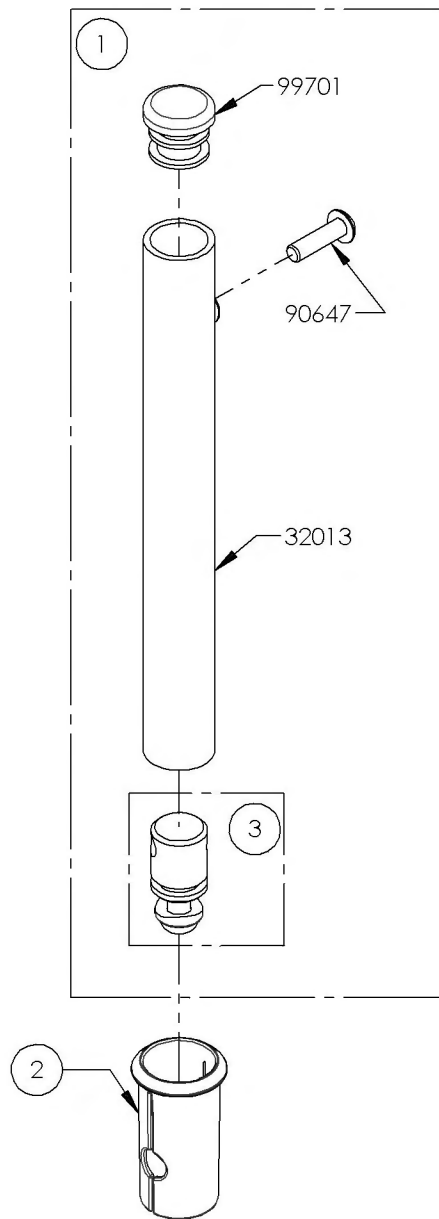


ITEM NO.	PARTNO	DESCRIPTION	9001285 /QTY.	REPLACEMENT PARTS/QTY.
1	32507	7_8" PUSH HANDLE - ASSEMBLY (M)	1	-
2	90647	BUTTON HEAD CAP SCREW M5X0.8 X 18mm LONG, FULLY THREADED	1	-
3	32017	PUSH HANDLE BACK SLEEVE	1	-
4	32514	DOWEL NUT PUSH HANDLE - ASSEMBLY (M)	-	1



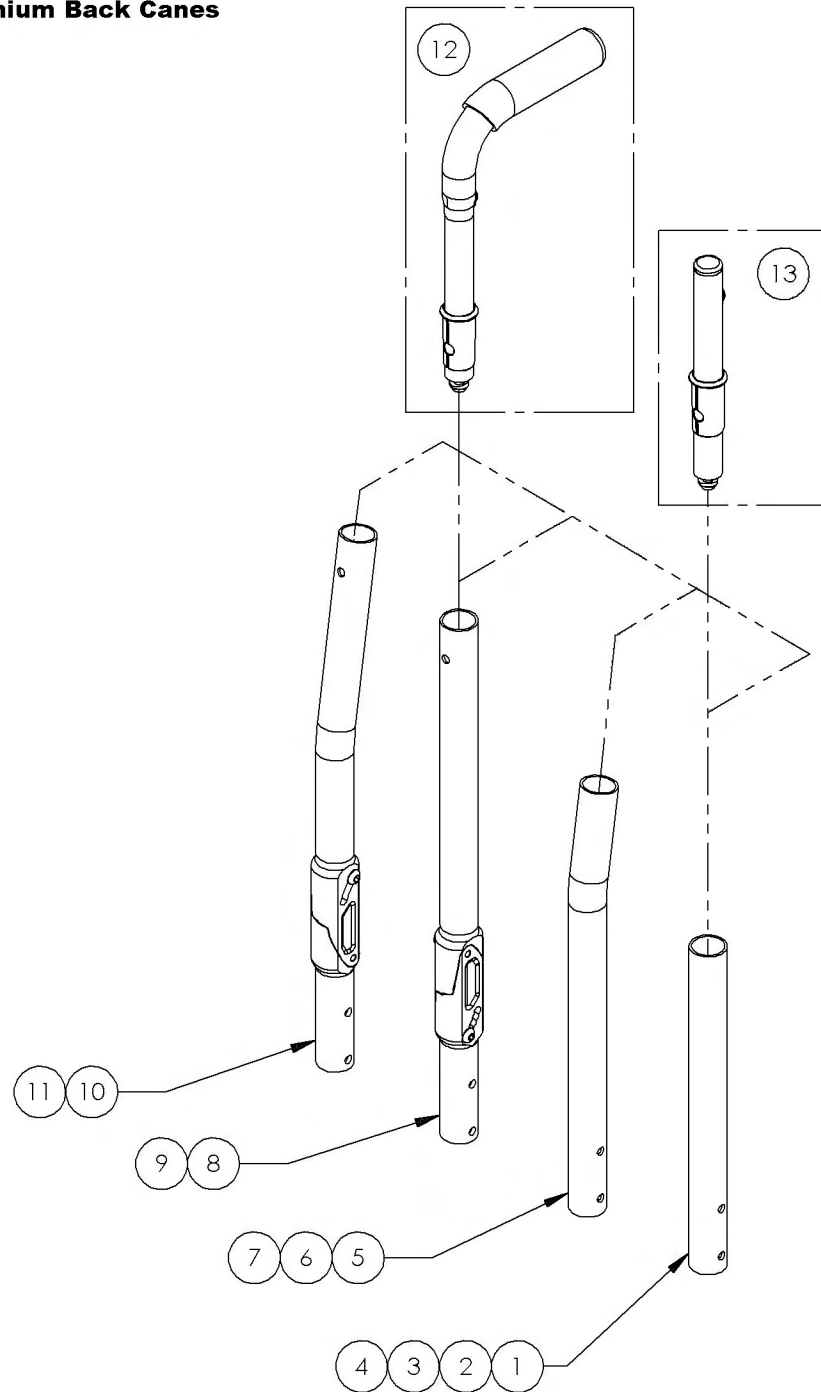
**9001286**  
**Without Push Handle - Straight Extension**

ITEM NO.	PARTNO	DESCRIPTION	9001286 /QTY.	REPLACEMENT PART/QTY.
1	32506	BACK EXTENSION - ASSEMBLY (M)	1	-
2	32017	PUSH HANDLE BACK SLEEVE	1	-
3	32514	DOWEL NUT PUSH HANDLE - ASSEMBLY (M)	-	1





**Backrests Catalogue  
Aluminium Back Canes**



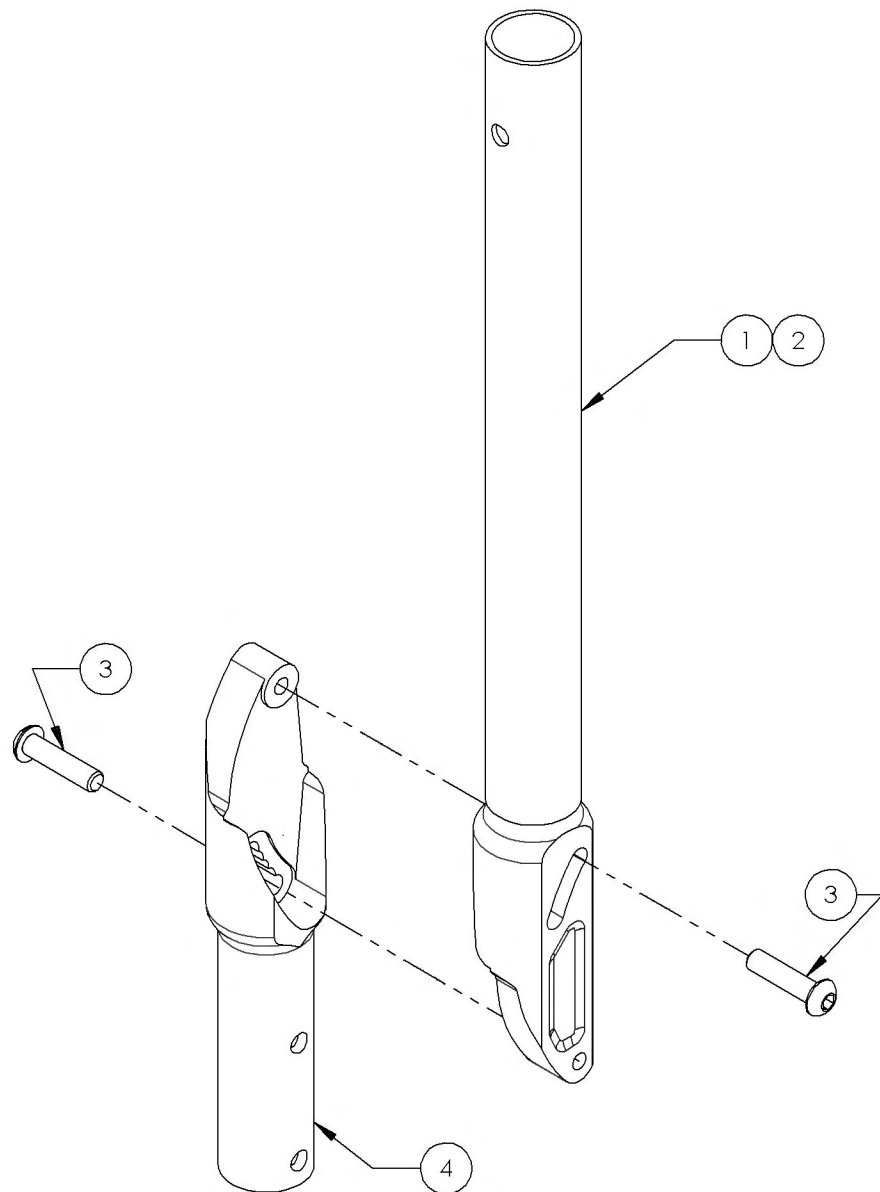
ITEM NO.	PARTNO	DESCRIPTION	QTY.
1	9001264	Back Cane - Aluminum, Straight, 9-12 in	1
2	9001265	Back Cane - Aluminum, Straight, 12-15 in	1
3	9001266	Back Cane - Aluminum, Straight, 15-18 in	1
4	9001267	Back Cane - Aluminum, Straight, 18-21 in	1
5	9001268	Back Cane - Aluminum, 8° bend, 13¼-15 in	1
6	9001269	Back Cane - Aluminum, 8° bend, 15-18 in	1
7	9001270	Back Cane - Aluminum, 8° bend, 18-21 in	1
8	9001271	Back Cane - Aluminum, Angle Adjustable, Straight, 15-18 in	1
9	9001272	Back Cane - Aluminum, Angle Adjustable, Straight, 18-21 in	1
10	9001273	Back Cane - Aluminum, Angle Adjustable, 8° bend, 15-18 in	1
11	9001274	Back Cane - Aluminum, Angle Adjustable, 8° bend, 18-21 in	1
12	9001285	Push Handle	1
13	9001286	Without Push Handle - Straight Extension	1

MAKE SURE TO HAVE YOUR SERIAL NUMBER  
NEARBY WHEN ORDERING PARTS FOR YOUR  
MOTION COMPOSITES WHEELCHAIR

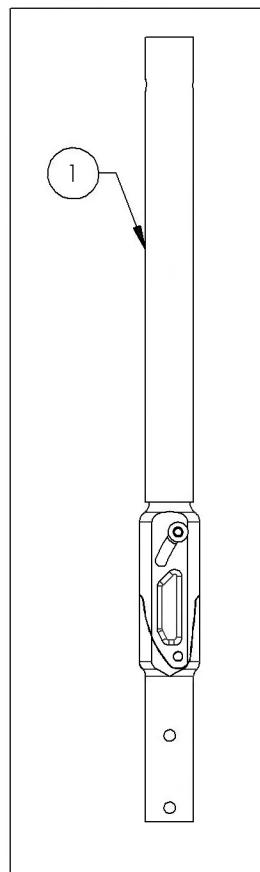
**9001271\_9001272**

**Back Cane - Aluminum, Angle adjustable, Straight**

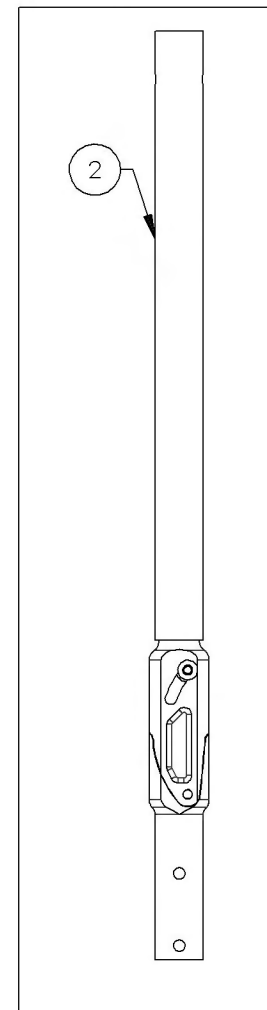
ITEM NO.	PARTNO	DESCRIPTION	9001271 /QTY.	9001272 /QTY.
1	32518	ALUMINUM ADJUSTABLE ANGLE BACK 15"-18" (M)	1	-
2	32519	ALUMINUM ADJUSTABLE ANGLE BACK 18"-21" (M)	-	1
3	90663	BUTTON HEAD CAP SCREW M6X1 X 25mm LONG, FULLY THREADED	2	2
4	32037	LOWER ADJUSTABLE BACKREST (M)	1	1



9001271  
Back Cane - Aluminum,  
Angle Adjustable,  
Straight, 15-18 in



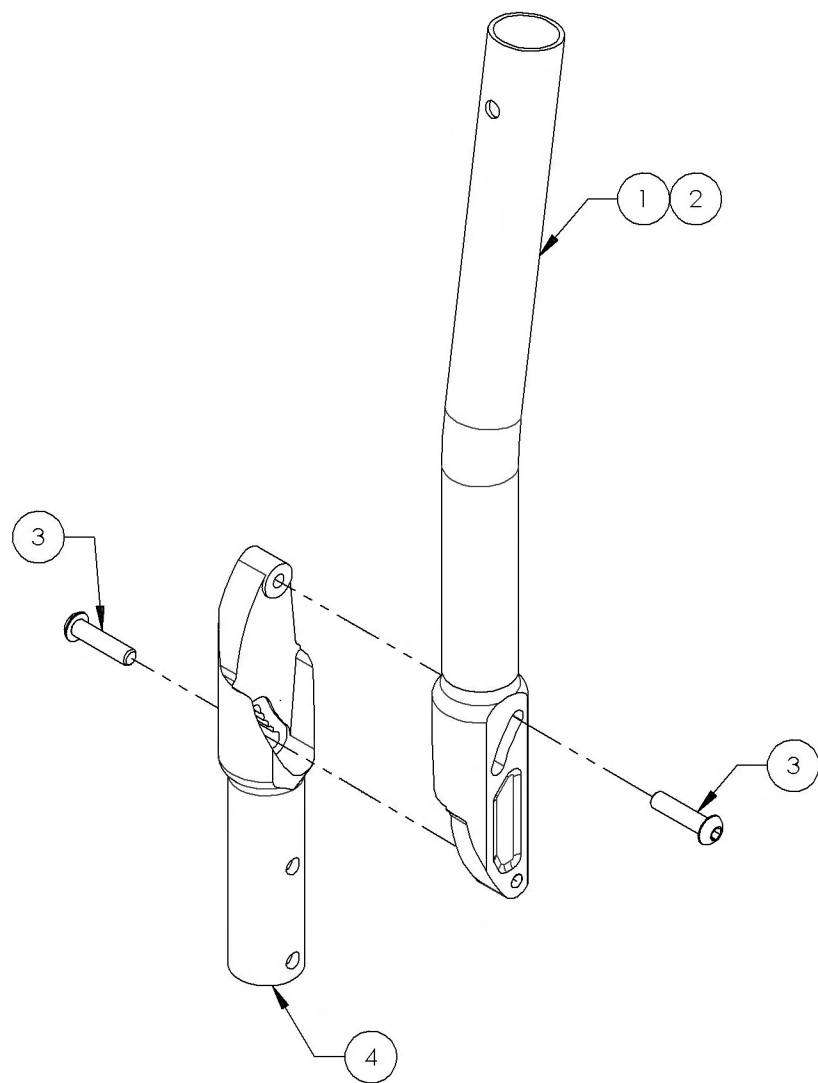
9001272  
Back Cane - Aluminum,  
Angle Adjustable,  
Straight, 18-21 in



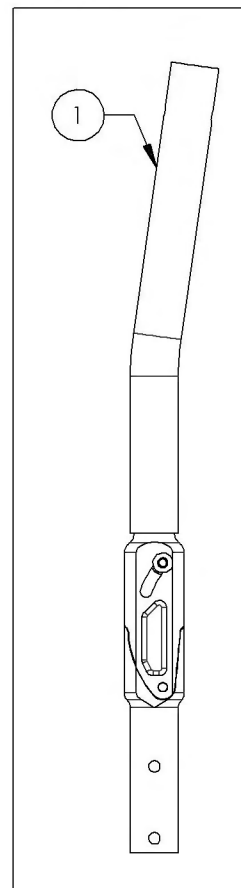
**9001273\_9001274**

**Back Cane - Aluminum, Angle adjustable, 8° bend**

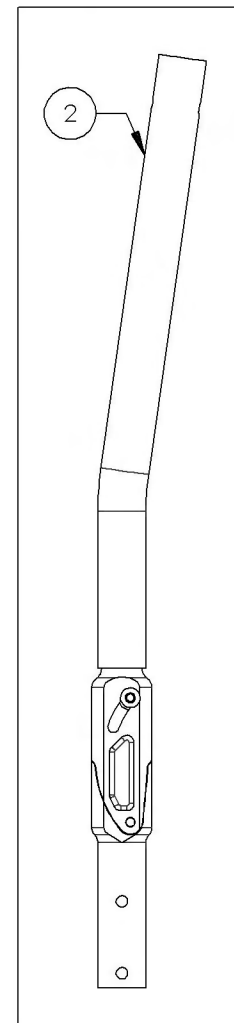
ITEM NO.	PARTNO	DESCRIPTION	9001273 /QTY.	9001274 /QTY.
1	32528	ALUMINUM ADJUSTABLE ANGLE 8° BEND BACK CANE 15"-18" (M)	1	-
2	32529	ALUMINUM ADJUSTABLE ANGLE 8° BEND BACK CANE 18"-21" (M)	-	1
3	90663	BUTTON HEAD CAP SCREW M6X1 X 25mm LONG, FULLY THREADED	2	2
4	32037	LOWER ADJUSTABLE BACKREST (M)	1	1



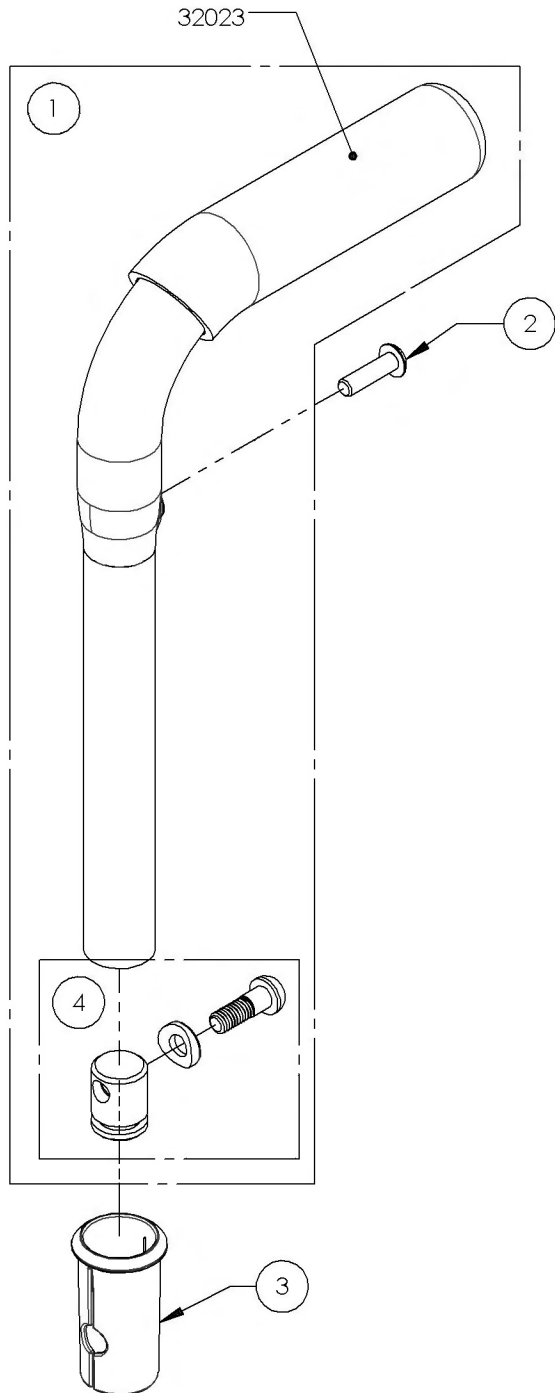
9001273  
Back Cane - Aluminum,  
Angle Adjustable, 8° bend,  
15-18 in



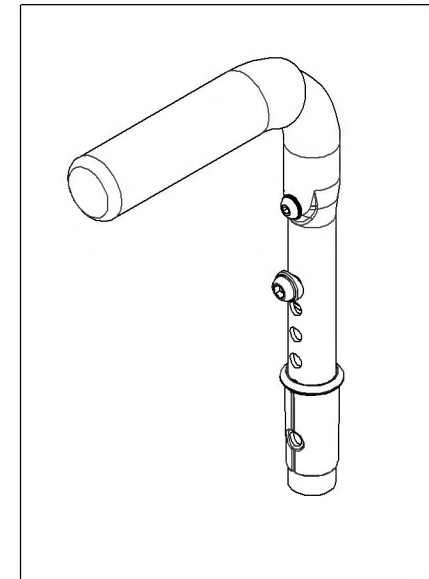
9001274  
Back Cane - Aluminum,  
Angle Adjustable, 8° bend,  
18-21 in



**9001285  
Push Handle**

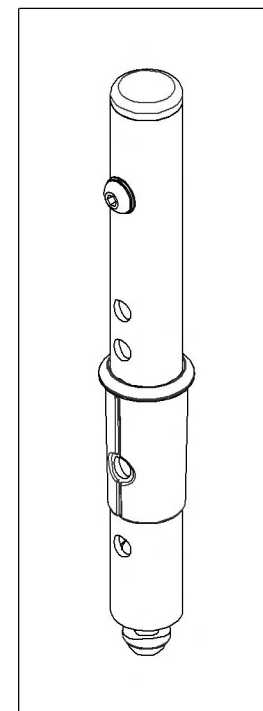
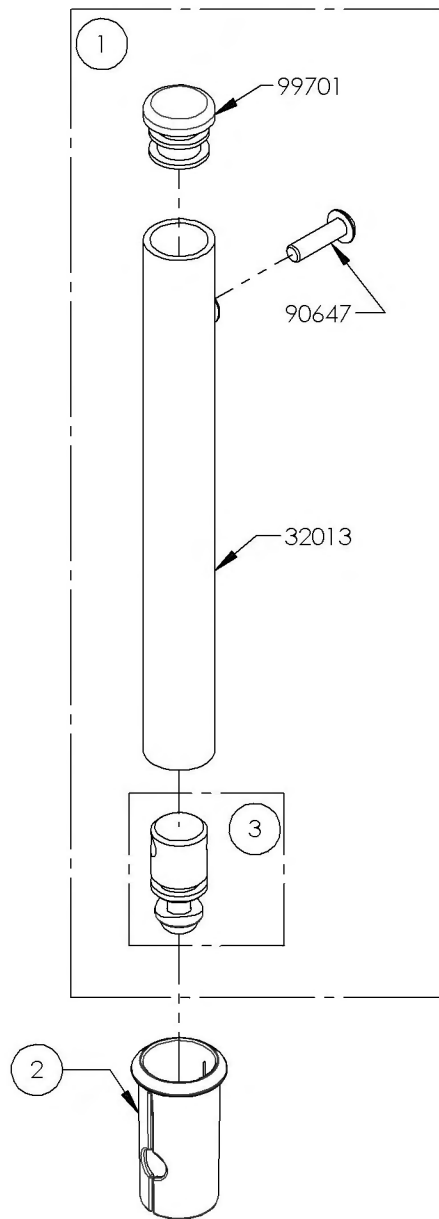


ITEM NO.	PARTNO	DESCRIPTION	9001285 /QTY.	REPLACEMENT PARTS/QTY.
1	32507	7_8" PUSH HANDLE - ASSEMBLY (M)	1	-
2	90647	BUTTON HEAD CAP SCREW M5X0.8 X 18mm LONG, FULLY THREADED	1	-
3	32017	PUSH HANDLE BACK SLEEVE	1	-
4	32514	DOWEL NUT PUSH HANDLE - ASSEMBLY (M)	-	1



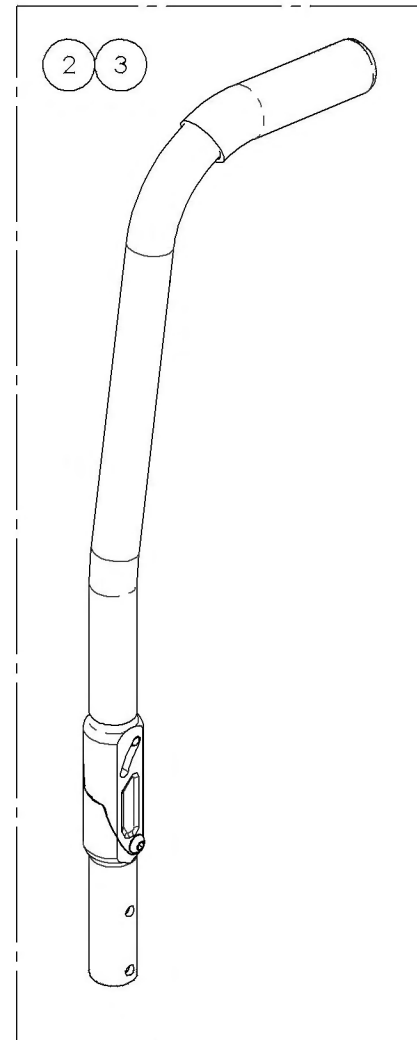
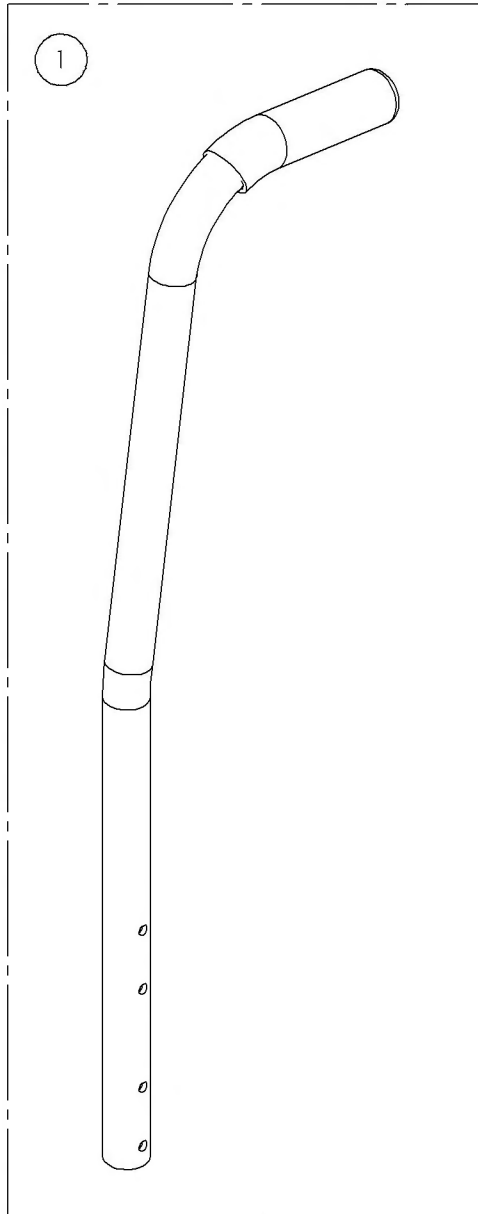
**9001286**  
**Without Push Handle - Straight Extension**

ITEM NO.	PARTNO	DESCRIPTION	9001286 /QTY.	REPLACEMENT PART/QTY.
1	32506	BACK EXTENSION - ASSEMBLY (M)	1	-
2	32017	PUSH HANDLE BACK SLEEVE	1	-
3	32514	DOWEL NUT PUSH HANDLE - ASSEMBLY (M)	-	1



**Backrests Catalogue**  
**Integrated Push Handle Back Canes**

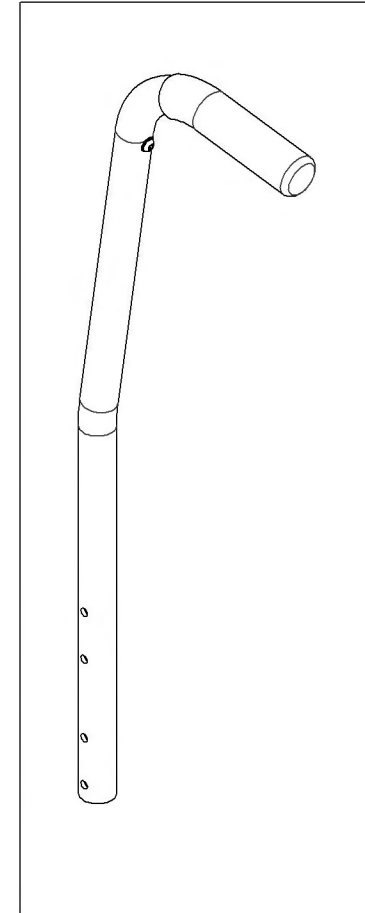
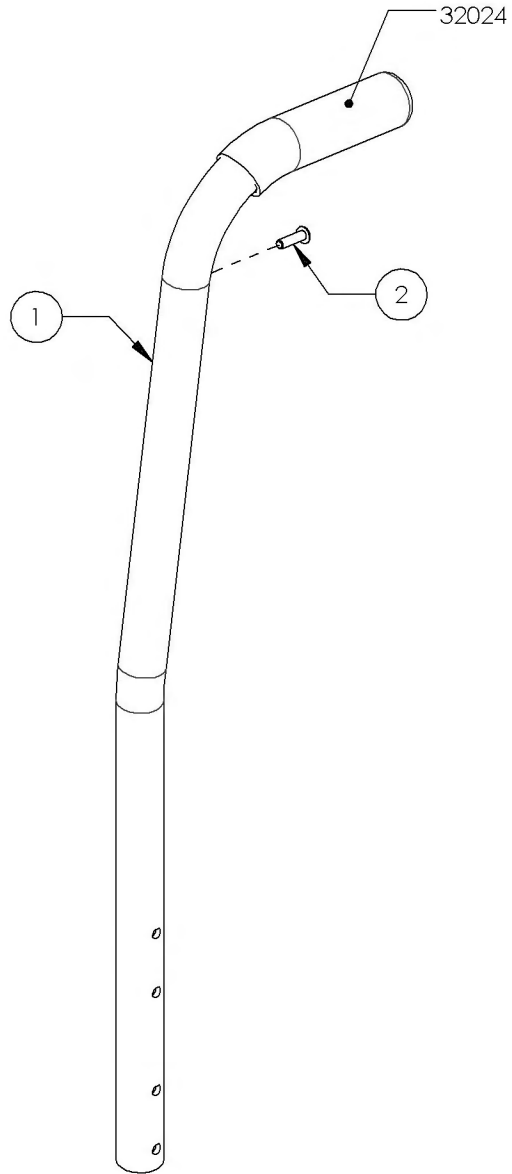
ITEM NO.	PARTNO	DESCRIPTION	QTY
1	9001275	Back Cane - Aluminum, 8° bend + Integrated Push Handle, 16 or 20 in	1
2	9001276	Back Cane - Aluminum, Angle Adjustable, 8° bend + Integrated Push Handle, 16 in	1
3	9001277	Back Cane - Aluminum, Angle Adjustable, 8° bend + Integrated Push Handle, 20 in	1



MAKE SURE TO HAVE YOUR SERIAL NUMBER  
 NEARBY WHEN ORDERING PARTS FOR YOUR  
 MOTION COMPOSITES WHEELCHAIR

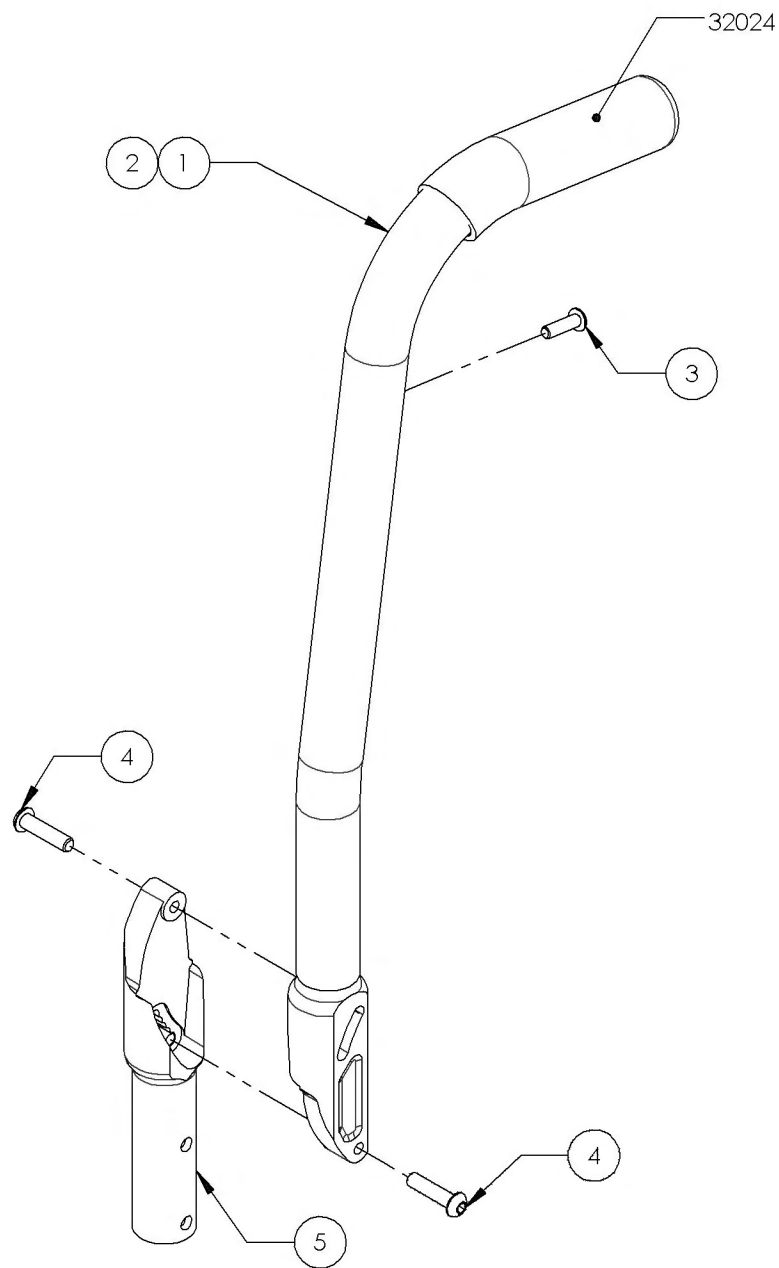
**9001275**  
**Back Cane - Aluminum, 8° bend + Integrated Push Handle, 16 or 20 in**

ITEM NO.	PARTNO	DESCRIPTION	9001275 /QTY.
1	32500	ALU 8° BACK CANE 16" OR 20" W_FIXED PUSH HANDLE - ASSEMBLY (M)	1
2	90647	BUTTON HEAD CAP SCREW M5X0.8 X 18mm LONG, FULLY THREADED	1



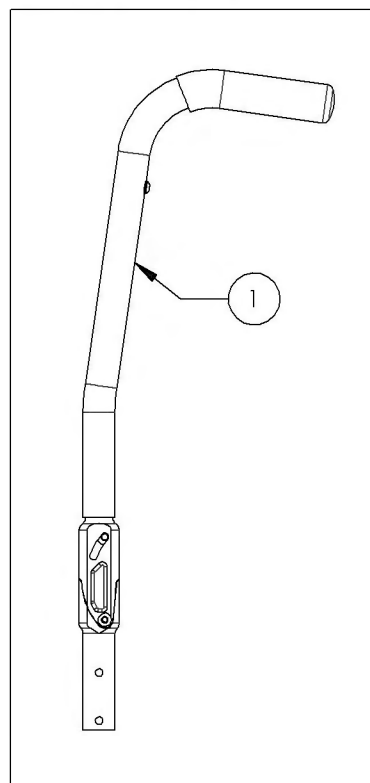
**9001276\_9001277**

**Back Cane - Aluminum, Angle adjustable, 8° bend + Integrated Push Handle**

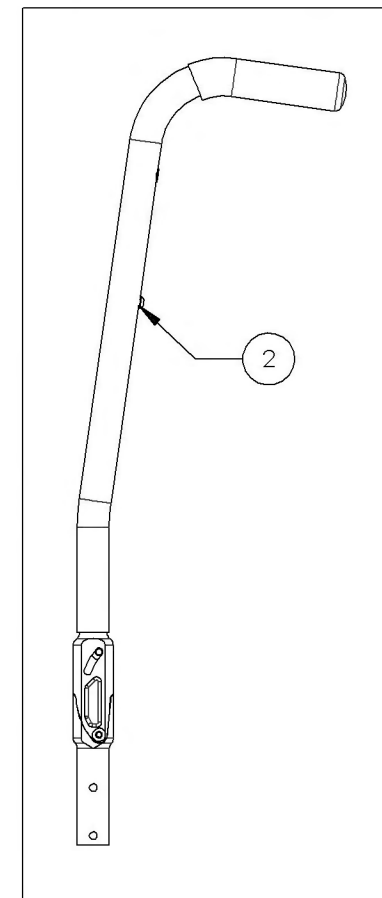


ITEM NO.	PARTNO	DESCRIPTION	9001276 /QTY.	9001277 /QTY.
1	32501	ALUMINIUM ADJUSTABLE ANGLE BACK 16" W_ FIXED PUSH HANDLE - ASSEMBLY (M)	1	-
2	32502	ALUMINIUM ADJUSTABLE ANGLE BACK 20" W_ FIXED PUSH HANDLE - ASSEMBLY (M)	-	1
3	90647	BUTTON HEAD CAP SCREW M5X0.8 X 18mm LONG, FULLY THREADED	1	1
4	90663	BUTTON HEAD CAP SCREW M6X1 X 25mm LONG, FULLY THREADED	2	2
5	32037	LOWER ADJUSTABLE BACKREST (M)	1	1

9001276  
Back Cane - Aluminum, Angle Adjustable, 8° bend + Integrated Push Handle, 16 in



9001277  
Back Cane - Aluminum, Angle Adjustable, 8° bend + Integrated Push Handle, 20 in

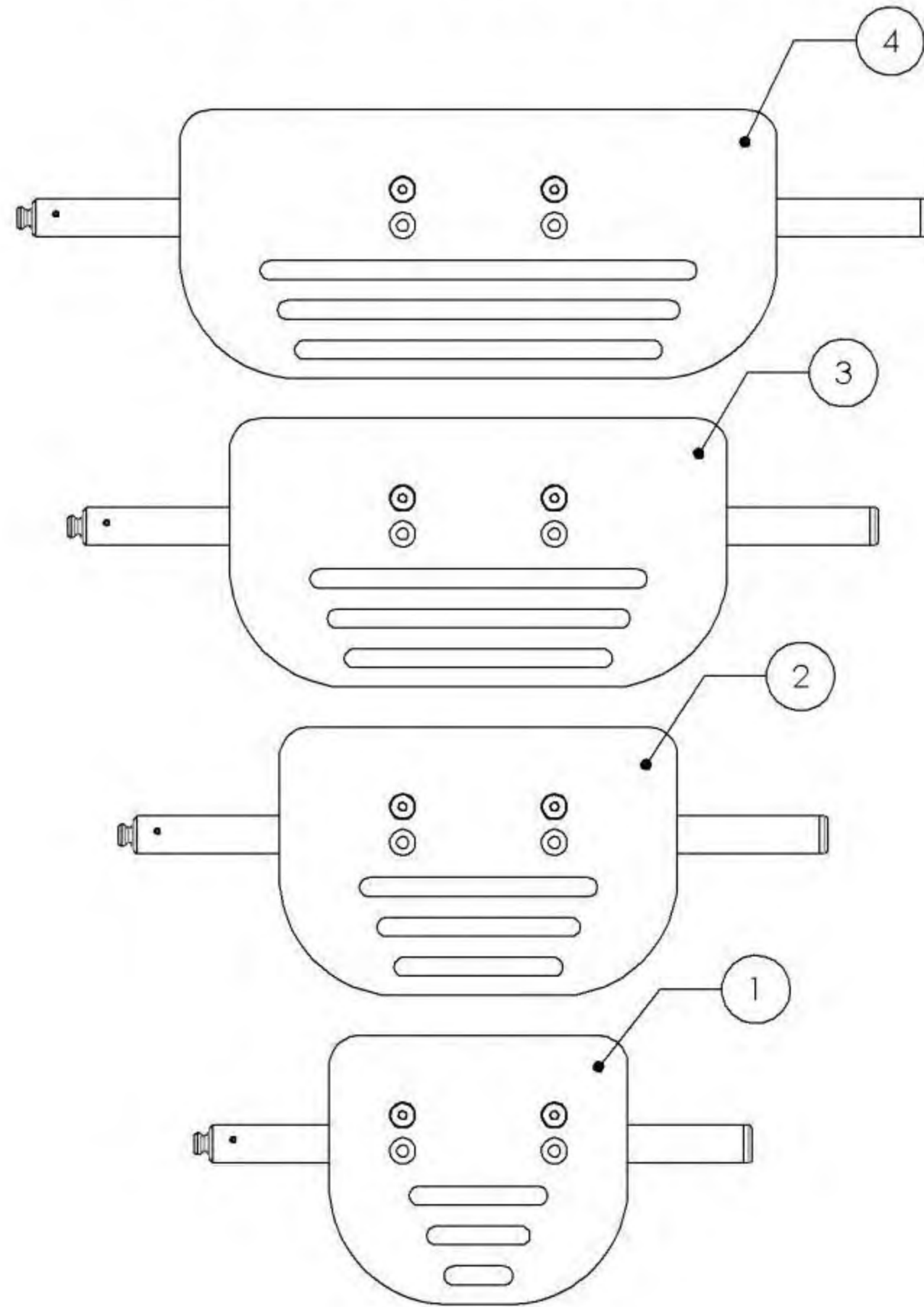




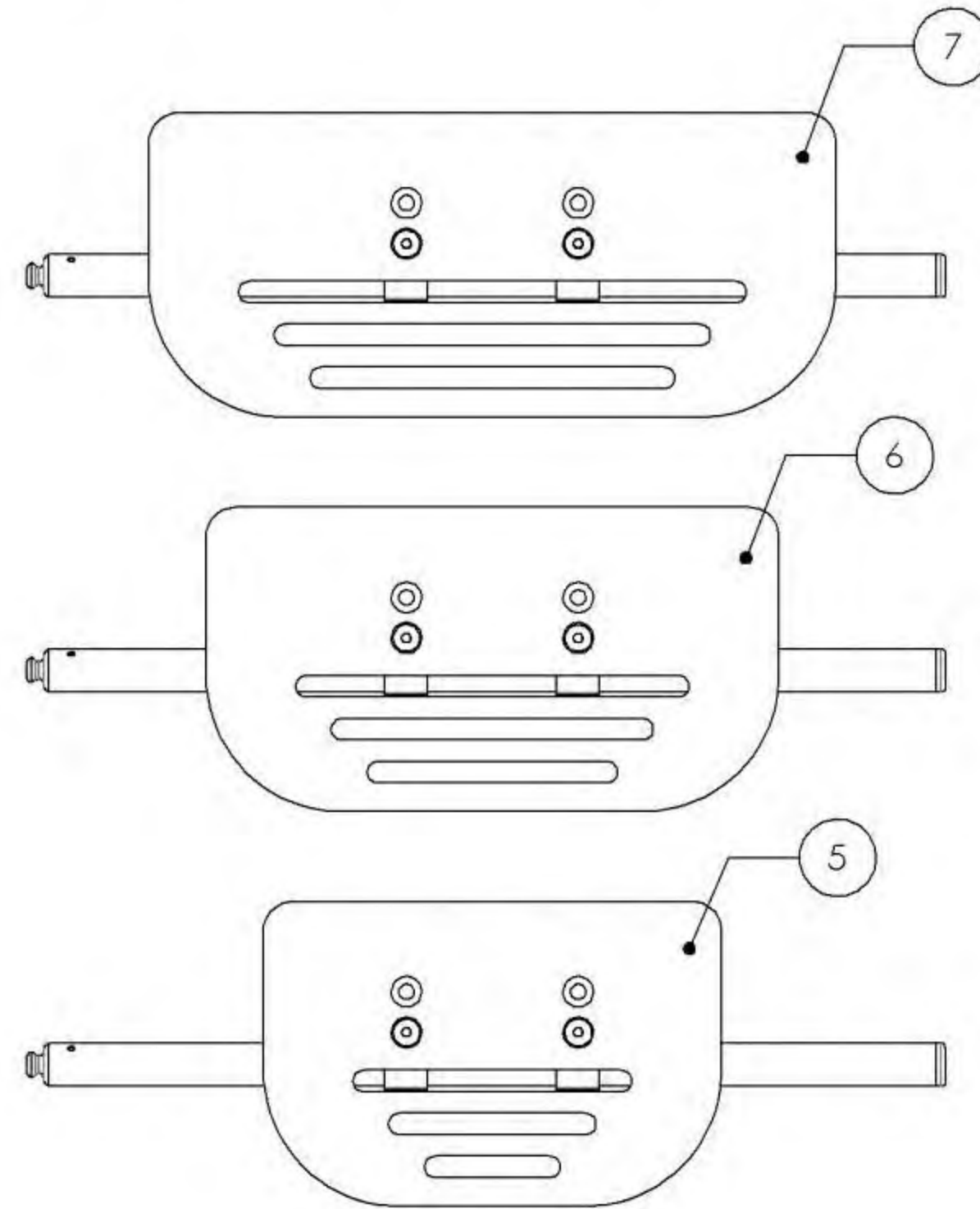
**Footrest Catalogue**  
**One Piece Footplates**

ITEM NO.	PARTNO	DESCRIPTION	QTY
1	9001390	ONE PIECE CARBON FIBER 6" FOOTPLATE (WHEELCHAIR WIDTH: 12 TO 13")	1
2	9001391	ONE PIECE CARBON FIBER 8" FOOTPLATE (WHEELCHAIR WIDTH: 14 TO 16")	1
3	9001392	ONE PIECE CARBON FIBER 10" FOOTPLATE (WHEELCHAIR WIDTH: 17 TO 18")	1
4	9001393	ONE PIECE CARBON FIBER 12" FOOTPLATE (WHEELCHAIR WIDTH: 19 TO 22")	1
5	9001381	ONE PIECE ALUMINUM 8" FOOTPLATE (WHEELCHAIR WIDTH: 14 TO 16")	1
6	9001382	ONE PIECE ALUMINUM 10" FOOTPLATE (WHEELCHAIR WIDTH: 17 TO 18")	1
7	9001383	ONE PIECE ALUMINUM 12" FOOTPLATE (WHEELCHAIR WIDTH: 19 TO 22")	1

**ONE PIECE CARBON FOOTPLATES**



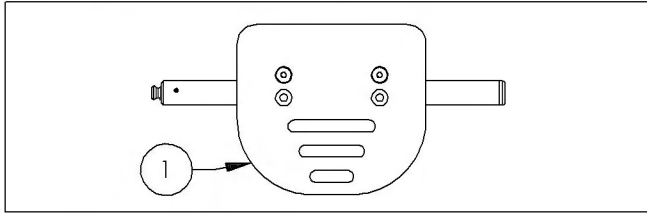
**ONE PIECE ALUMINUM FOOTPLATES**



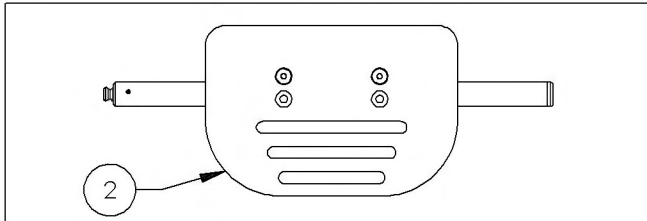
MAKE SURE TO HAVE YOUR SERIAL NUMBER NEARBY WHEN ORDERING PARTS FOR YOUR MOTION COMPOSITES WHEELCHAIR

**9001390\_9001393**  
**Footplate - Carbon Fiber, One piece**

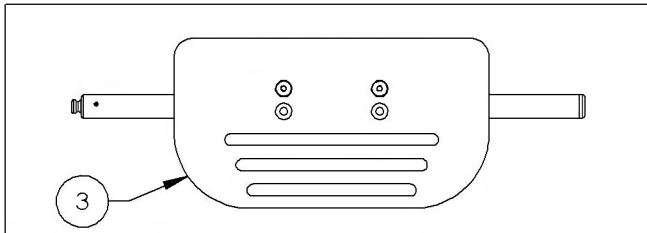
9001390  
 Footplate - Carbon Fiber, One piece, 6 x 5½ in  
 (Wheelchair Width: 12 to 13 in)



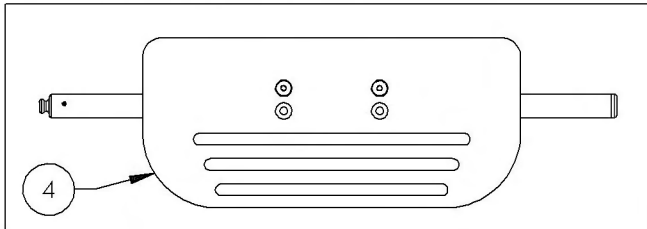
9001391  
 Footplate - Carbon Fiber, One piece, 8 x 5½ in  
 (Wheelchair Width: 14 to 16 in)



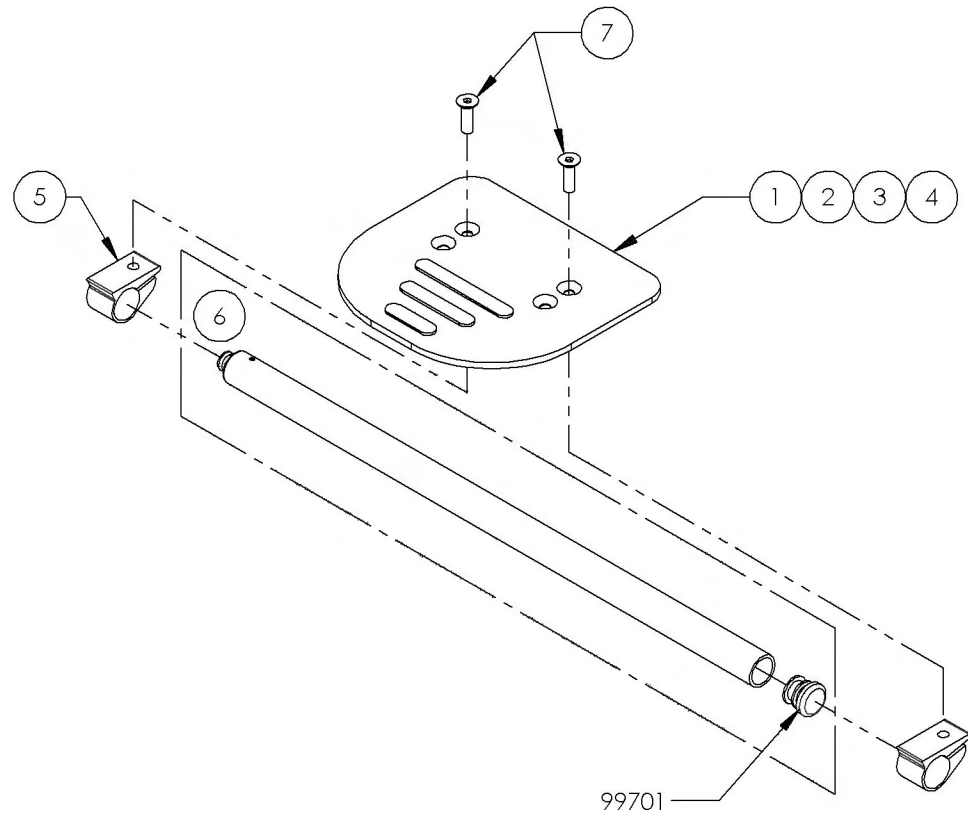
9001392  
 Footplate - Carbon Fiber, One piece, 10 x 5½ in  
 (Wheelchair Width: 17 to 18 in)



9001393  
 Footplate - Carbon Fiber, One piece, 12 x 5½ in  
 (Wheelchair Width: 19 to 22 in)

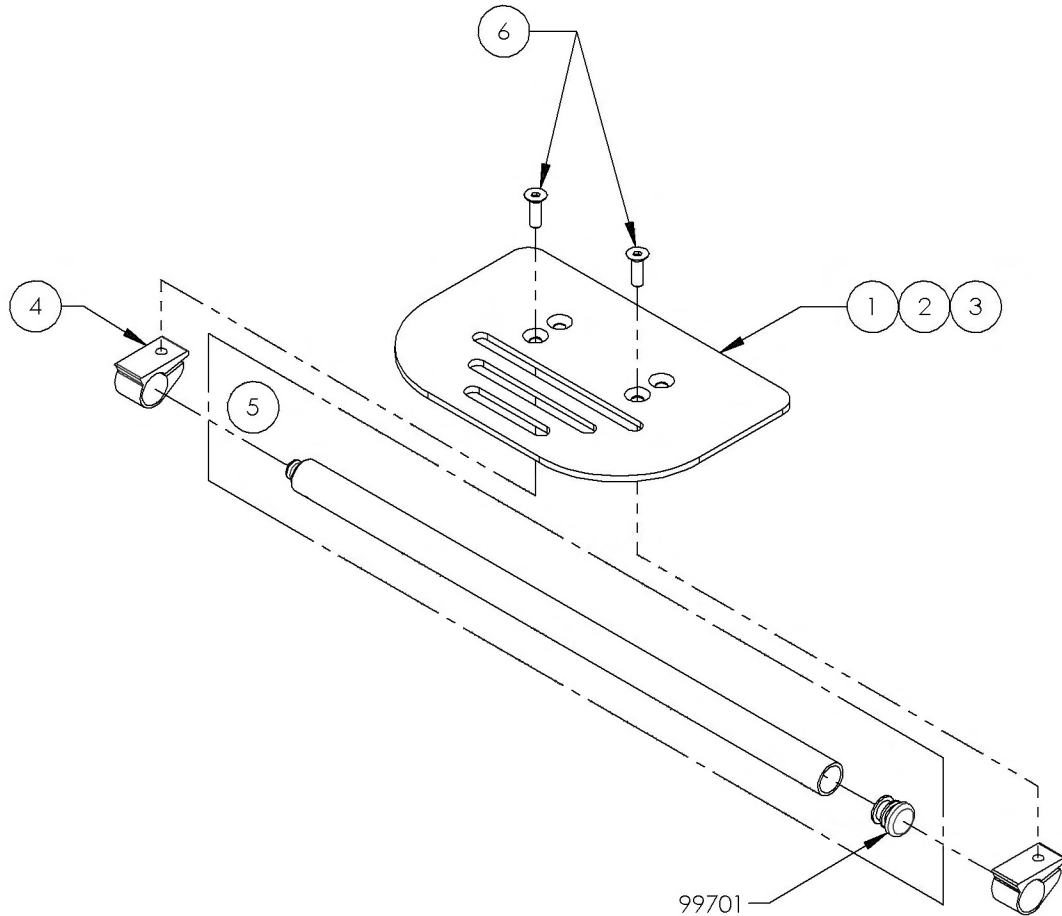


ITEM NO.	PARTNO	DESCRIPTION	9001390 /QTY.	9001391 /QTY.	9001392 /QTY.	9001393 /QTY.
1	31127	6" PLATFORM CARBON FOOTPLATE + DECALS	1	-	-	-
2	31128	8" PLATFORM CARBON FOOTPLATE + DECALS	-	1	-	-
3	31129	10" PLATFORM CARBON FOOTPLATE + DECALS	-	-	1	-
4	31130	12" PLATFORM CARBON FOOTPLATE + DECALS	-	-	-	1
5	31116	ANGLE ADJUSTABLE FOOTPLATE CLAMP	2	2	2	2
6	31561	V2 20-1/2" PF MAIN TUBE - ASSEMBLY	1	1	1	1
7	90868	FLAT HEAD CAP SCREW M6X1 X 20mm LONG, FULLY THREADED	2	2	2	2

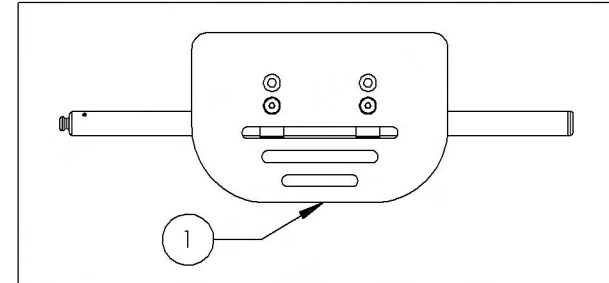


**9001381\_9001383**  
**Footplate - Aluminium, One piece**

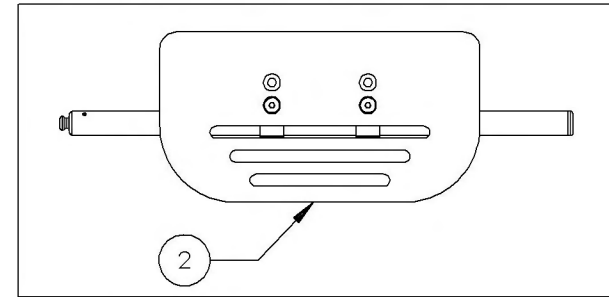
ITEM NO.	PARTNO	DESCRIPTION	9001381 /QTY.	9001382 /QTY.	9001383 /QTY.
1	31090	8" PLATFORM ALUMINUM FOOTPLATE	1	-	-
2	31091	10" PLATFORM ALUMINUM FOOTPLATE	-	1	-
3	31092	12" PLATFORM ALUMINUM FOOTPLATE	-	-	1
4	31116	ANGLE ADJUSTABLE FOOTPLATE CLAMP	2	2	2
5	31561	V2 20-1/2" PF MAIN TUBE - ASSEMBLY	1	1	1
6	90868	FLAT HEAD CAP SCREW M6X1 X 20mm LONG, FULLY THREADED	2	2	2



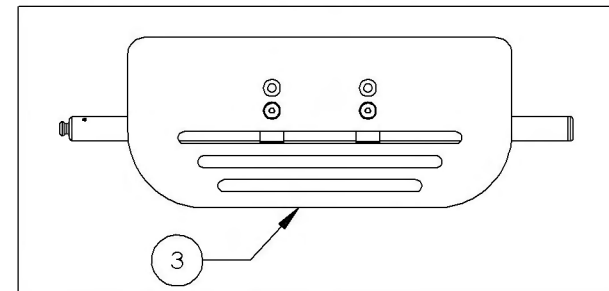
9001381  
 Footplate - Aluminium, One Piece, 8 x 5½ in  
 (Wheelchair Width: 14 to 16 in)



9001382  
 Footplate - Aluminium, One Piece, 10 x 5½ in  
 (Wheelchair Width: 17 to 18 in)

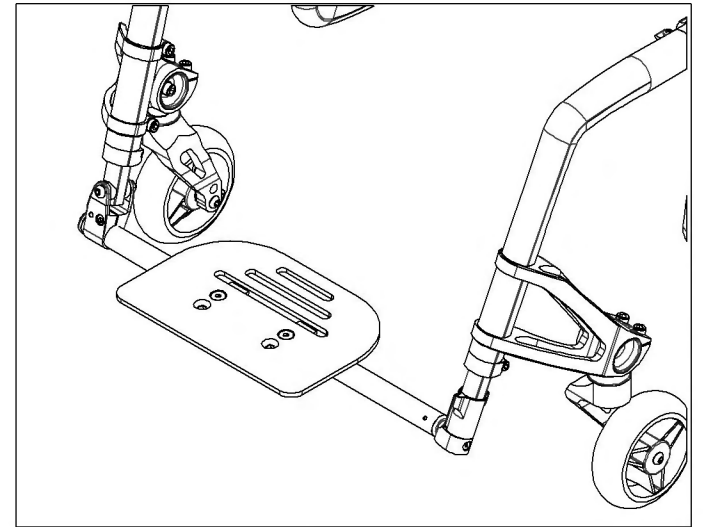
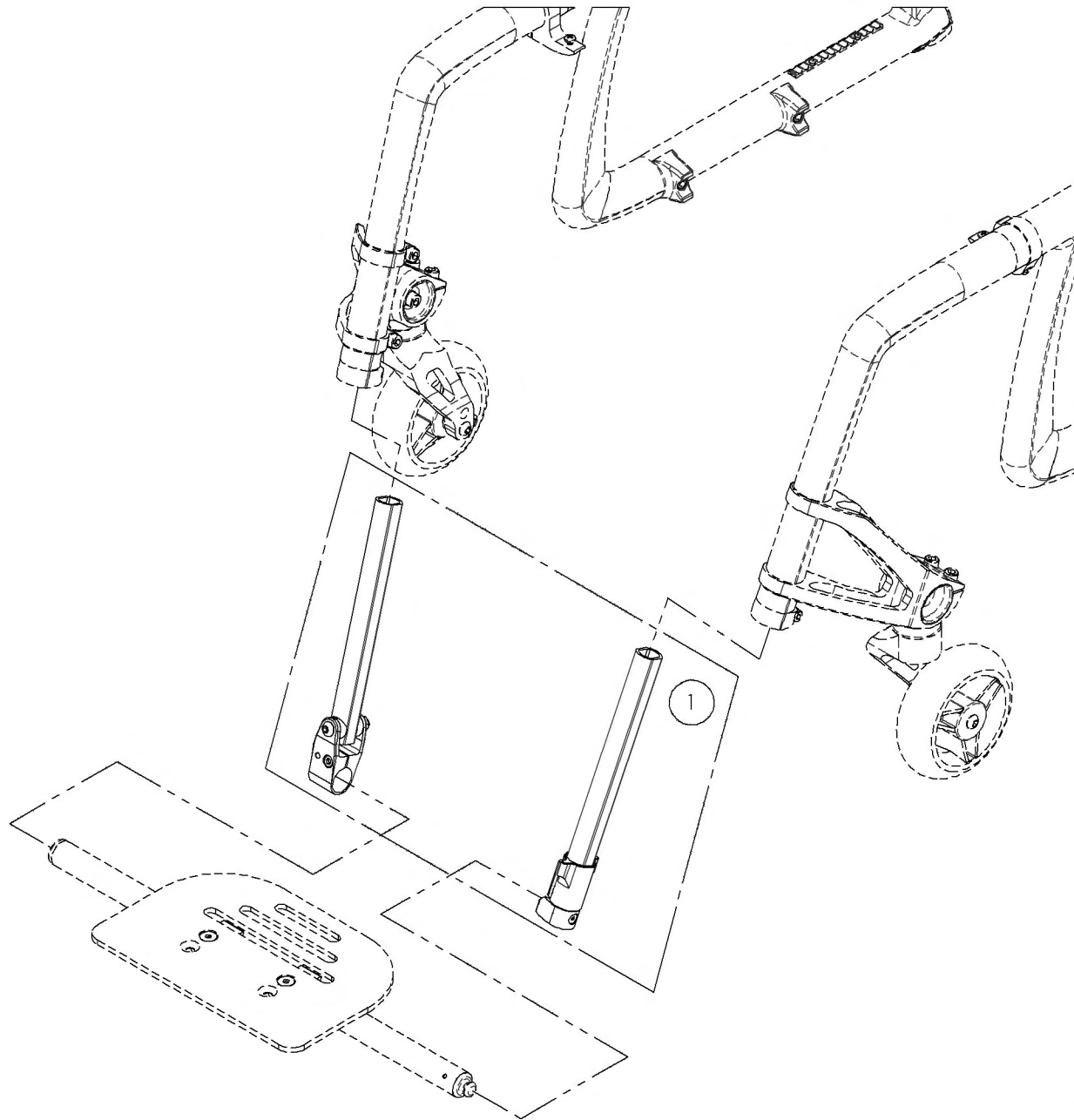


9001383  
 Footplate - Aluminium, One Piece, 12 x 5½ in  
 (Wheelchair Width: 19 to 22 in)



**Footrest Catalogue**  
**One Piece Footplate Veloce Extensions**

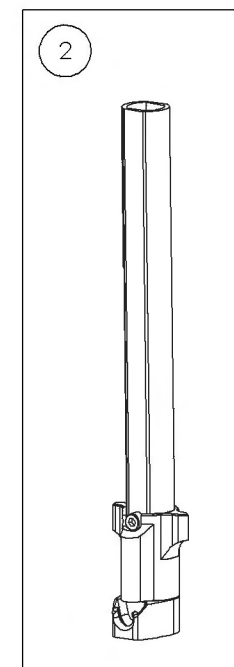
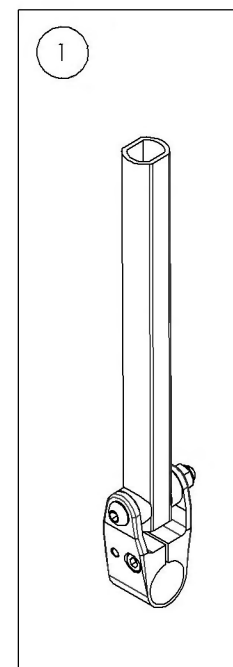
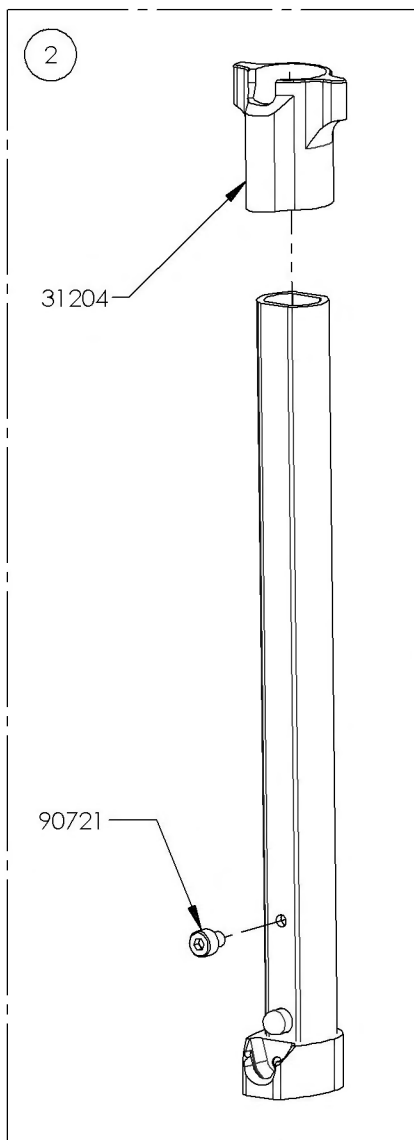
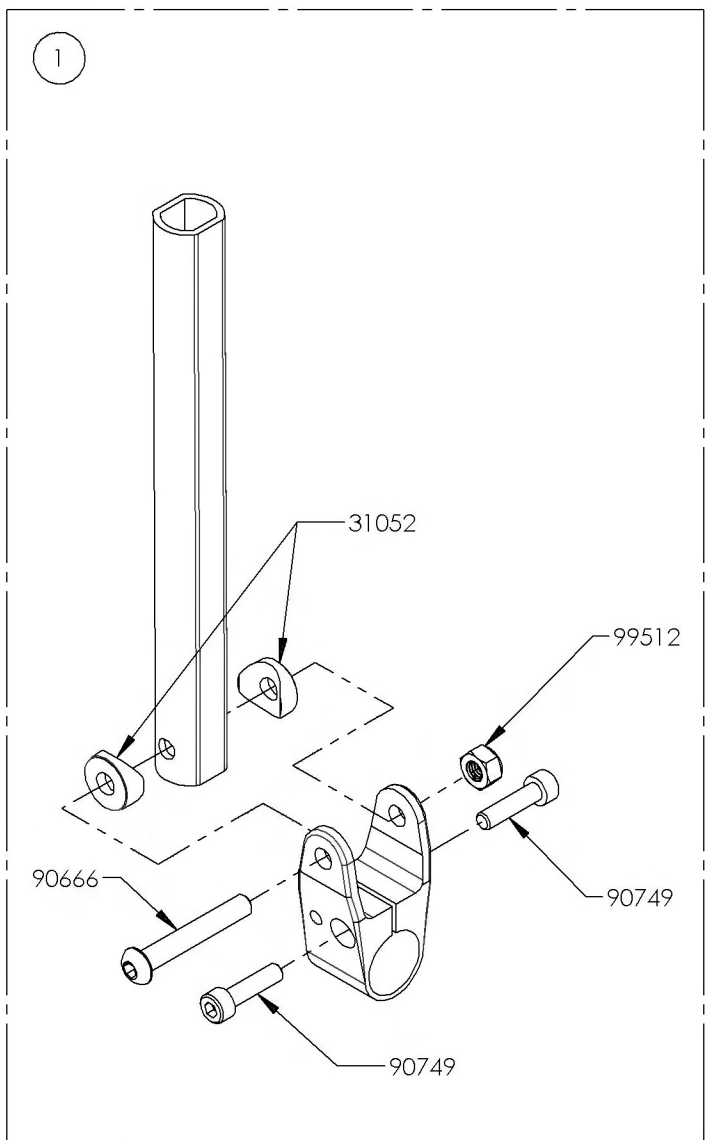
ITEM NO.	PARTNO	DESCRIPTION	QTY
1	9001379	Footplate - Extension for One Piece Footplate	1



MAKE SURE TO HAVE YOUR SERIAL NUMBER  
 NEARBY WHEN ORDERING PARTS FOR YOUR  
 MOTION COMPOSITES WHEELCHAIR

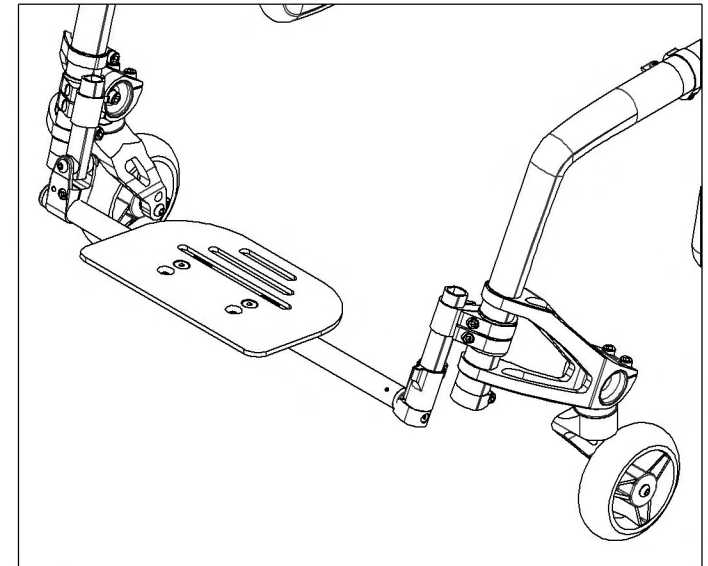
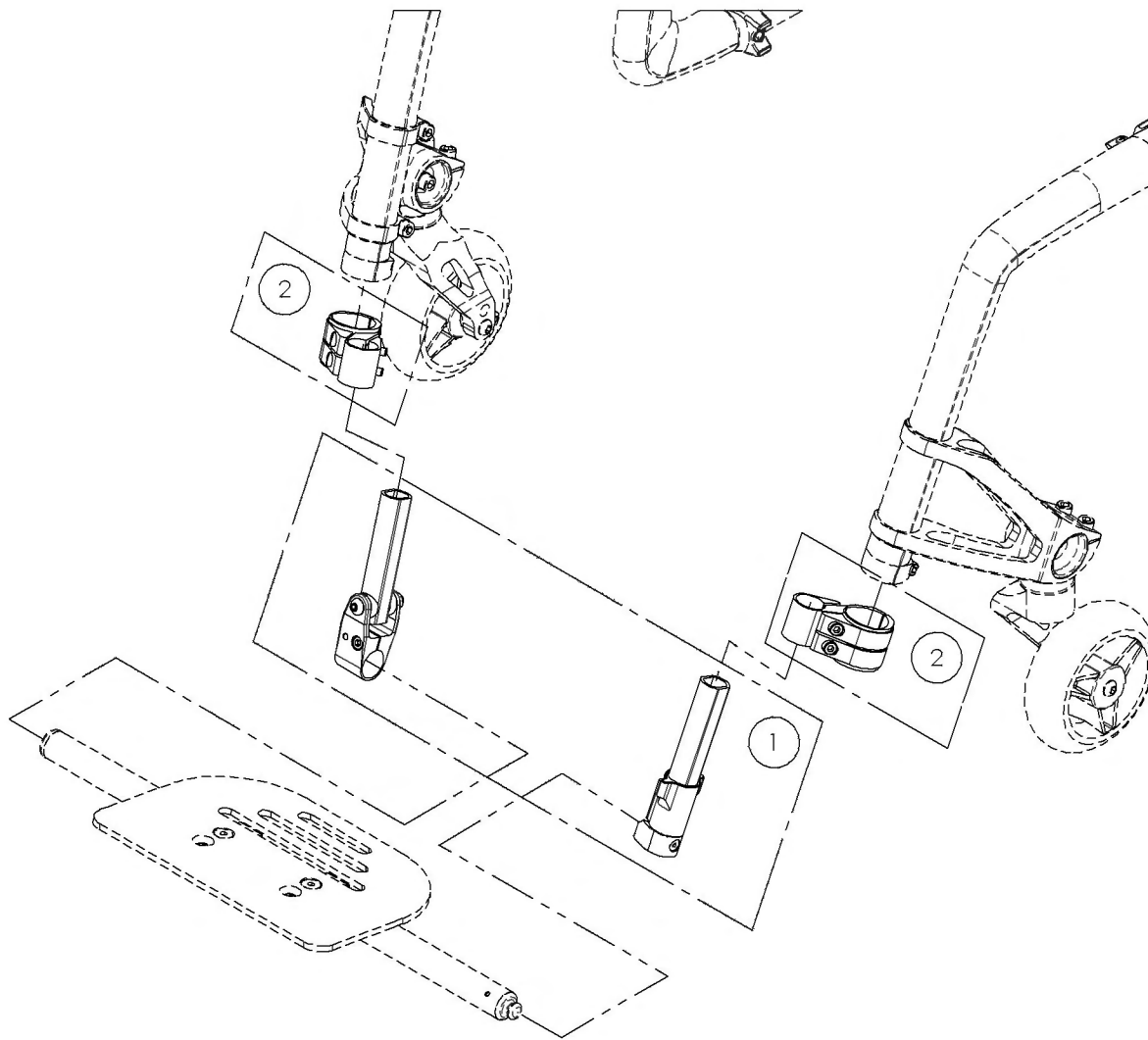
**9001379**  
**Footplate - Extension for One Piece Footplate**

ITEM NO.	PARTNO	DESCRIPTION	9001379 /QTY.
1	31555	V2 PF PIVOT SIDE VELOCE EXTENSION TUBE - ASSEMBLY	1
2	31556	V2 PF ANCHOR SIDE VELOCE EXTENSION TUBE - ASSEMBLY	1



**Footrest Catalogue**  
**High Mount Footrest Veloce Extensions**

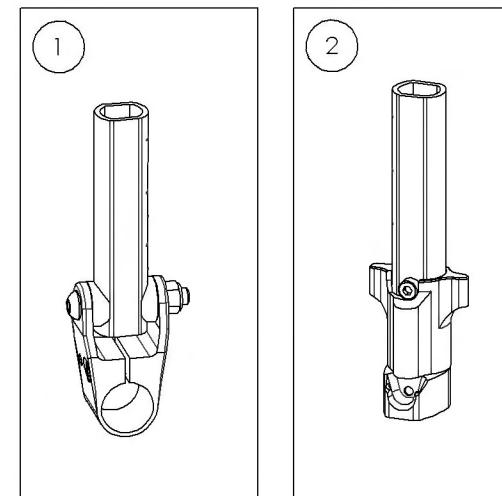
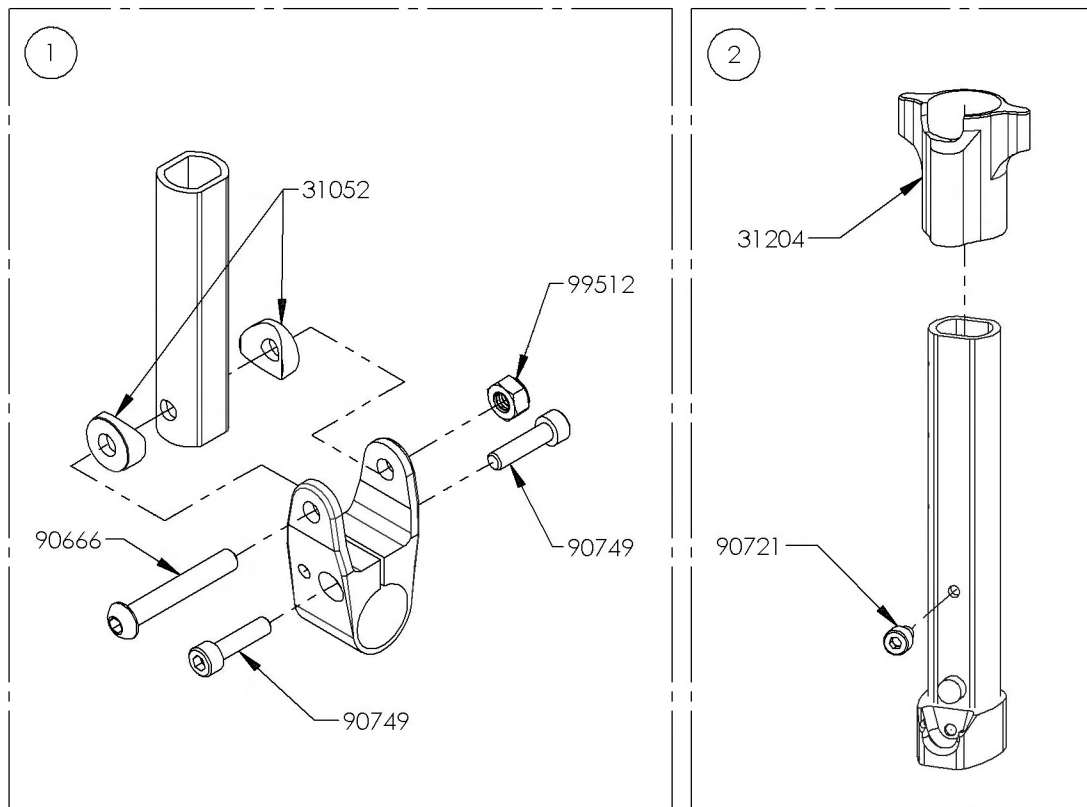
ITEM NO.	PARTNO	DESCRIPTION	QTY.
1	9001176	Footplate - Extension, High Mount for One Piece Footplate	2
2	9001410	Footplate - Clamp, For High Mount	2



MAKE SURE TO HAVE YOUR SERIAL NUMBER  
 NEARBY WHEN ORDERING PARTS FOR YOUR  
 MOTION COMPOSITES WHEELCHAIR

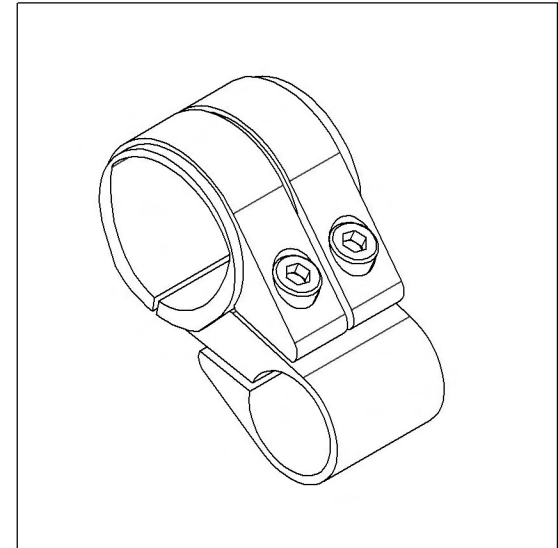
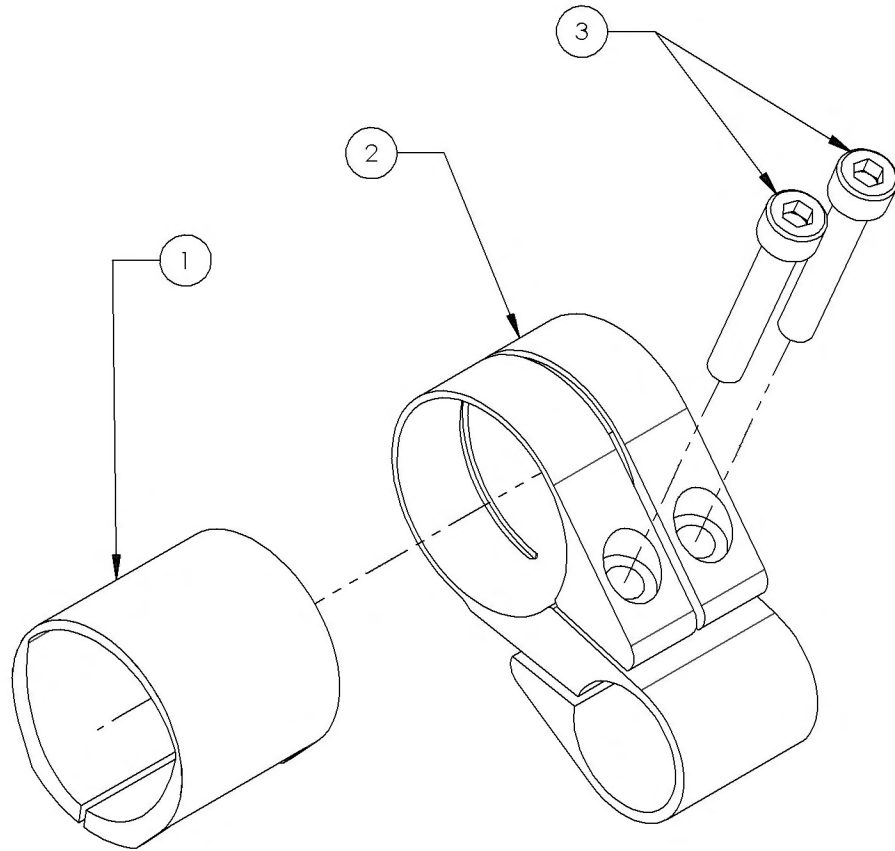
**9001176**  
**Footplate - Extension, High Mount for One Piece Footplate**

ITEM NO.	PARTNO	DESCRIPTION	9001176 /QTY.
1	31711	HIGH MOUNT PF PIVOT SIDE VELOCE EXT. TUBE - ASS.	1
2	31712	V2 PF ANCHOR SIDE VELOCE EXTENSION TUBE - ASSEMBLY	1



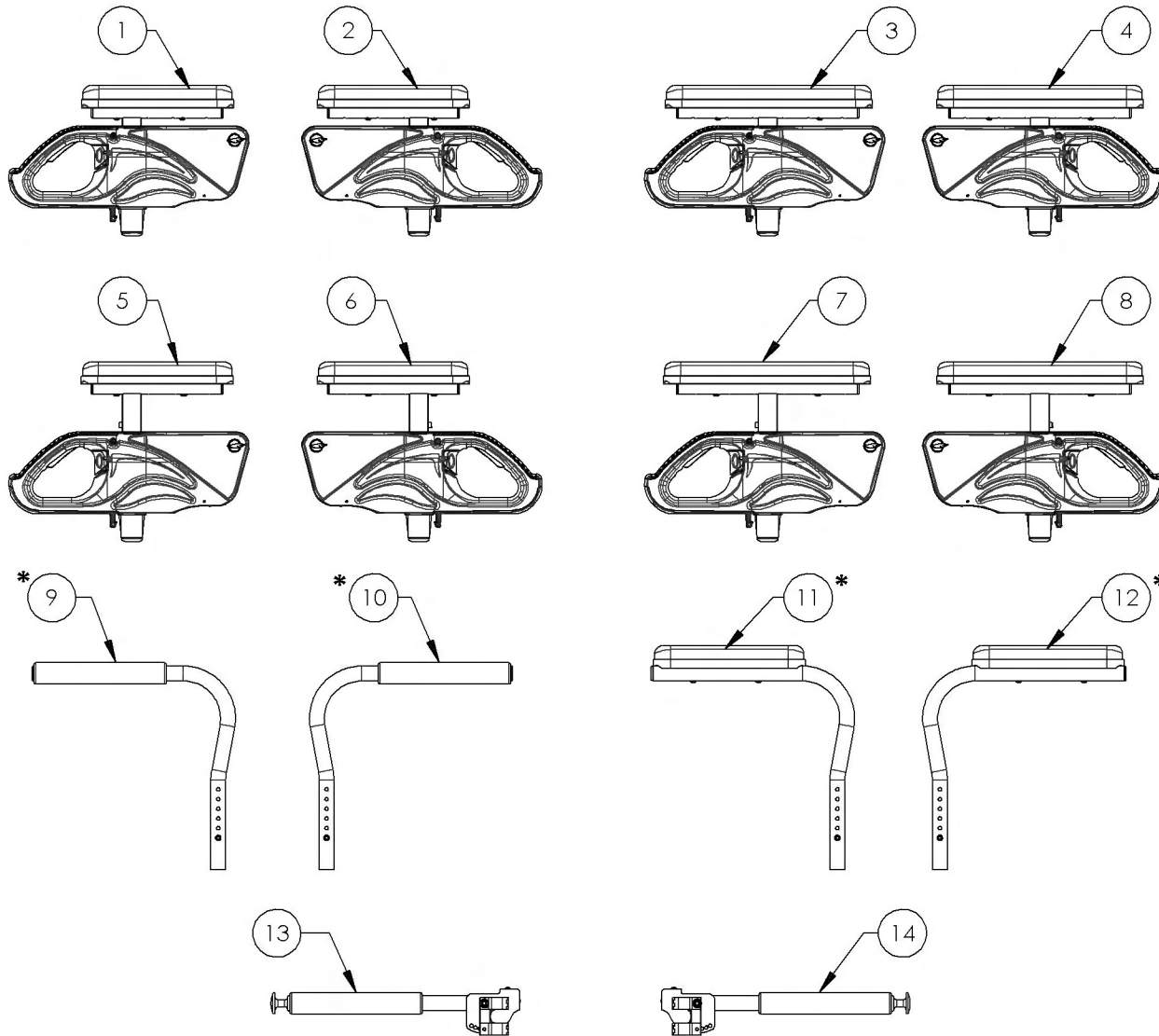
**9001410**  
**Footplate - Clamp, For High Mount**

ITEM NO.	PARTNO	DESCRIPTION	9001410 /QTY.
1	51141	VELOCE FRONT FRAME ADAPTOR	1
2	41017	V2 BRAKE CLAMP	1
3	90752	SOCKET CAP SCREW M5X0.8 X 30mm LONG, 22mm THREADED	2





**Armrest Catalogue**  
**Armrests**

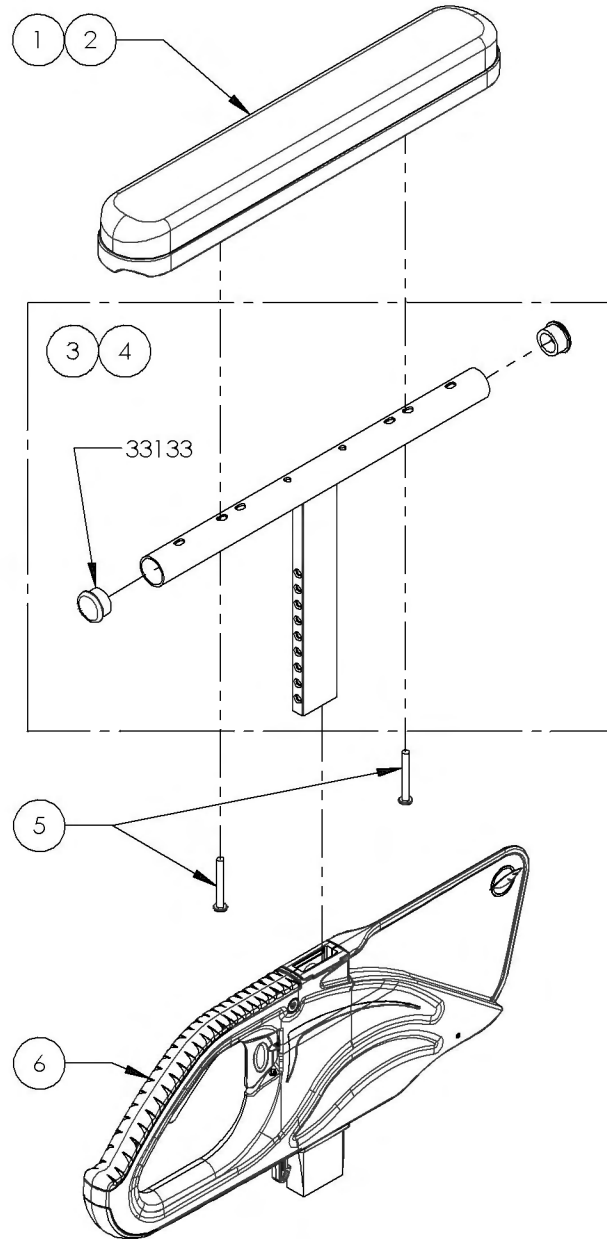


ITEM NO.	PARTNO	DESCRIPTION	QTY.
1	9001299	Armrest - Flip Back & T Type Right, 8-12 in, Desk Length	1
2	9001303	Armrest - Flip Back & T Type Left, 8-12 in, Desk Length	1
3	9001300	Armrest - Flip Back & T Type Right, 8-12 in, Full Length	1
4	9001304	Armrest - Flip Back & T Type Left, 8-12 in, Full Length	1
5	9001301	Armrest - Flip Back & T Type Right, 10-14 in, Desk Length	1
6	9001305	Armrest - Flip Back & T Type Left, 10-14 in, Desk Length	1
7	9001302	Armrest - Flip Back & T Type Right, 10-14 in, Full Length	1
8	9001306	Armrest - Flip Back & T Type Left, 10-14 in, Full Length	1
9	9001308	Armrest - Swing Away, Right, Tubular	1
10	9001309	Armrest - Swing Away, Left, Tubular	1
11	9001310	Armrest - Swing Away, Right, Desk Length	1
12	9001311	Armrest - Swing Away, Left, Desk Length	1
13	9001316	Locking Armrest - Flip Up, Right	1
14	9001317	Locking Armrest - Flip Up, Left	1

\*:NOT AVAILABLE FOR KIDS WHEELCHAIRS

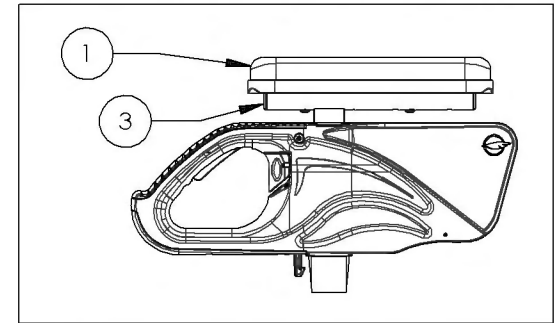
MAKE SURE TO HAVE YOUR SERIAL NUMBER  
NEARBY WHEN ORDERING PARTS FOR YOUR  
MOTION COMPOSITES WHEELCHAIR

**9001299\_9001300**  
**Armrest - Flip Back & T Type Right, 8-12 in**

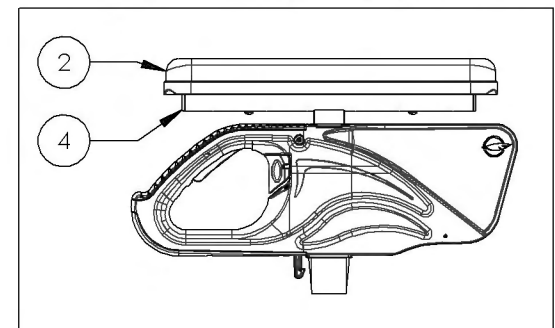


ITEM NO.	PARTNO	DESCRIPTION	9001299 /QTY.	9001300 /QTY.
1	33038	ARMREST DESK PAD	1	-
2	33039	ARMREST FULL LENGTH PAD	-	1
3	33579	V2 ARMREST STRUCTURE 8-12" FOR DESK LENGTH - ASSEMBLY	1	-
4	33559	V2 ARMREST STRUCTURE 8-12" FOR FULL LENGTH - ASSEMBLY	-	1
5	99013	SCREW PHILLIPS PAN HD #10_32 X 1_1_2	2	2
6	33554	V2 ARMREST - MAIN BODY	1	1

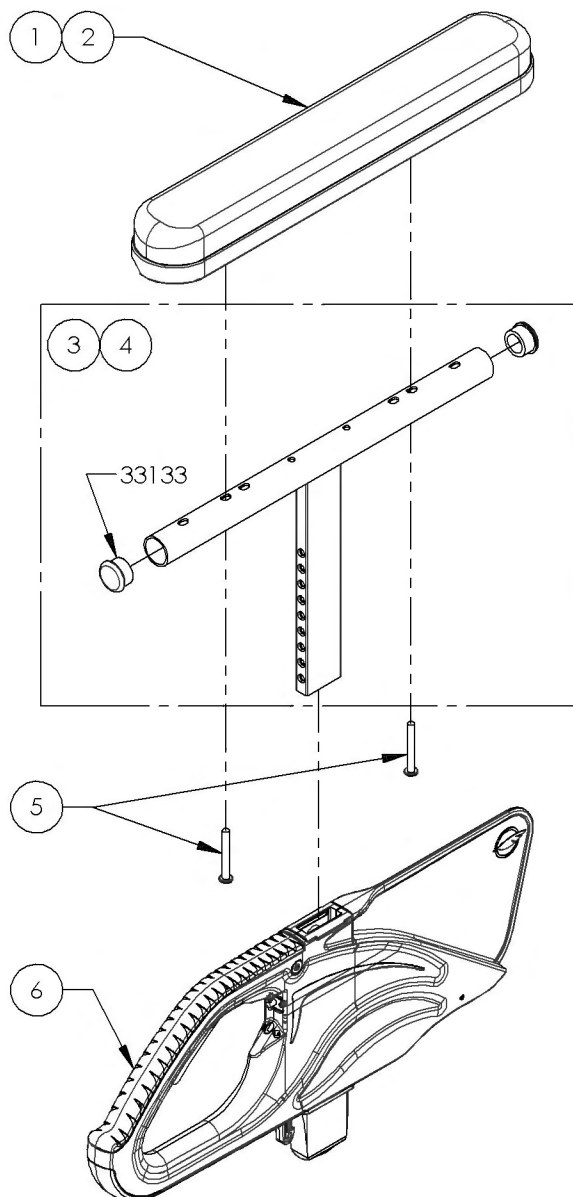
9001299  
 Armrest - Flip Back & T Type Right, 8-12 in, Desk Length



9001300  
 Armrest - Flip Back & T Type Right, 8-12 in, Full Length

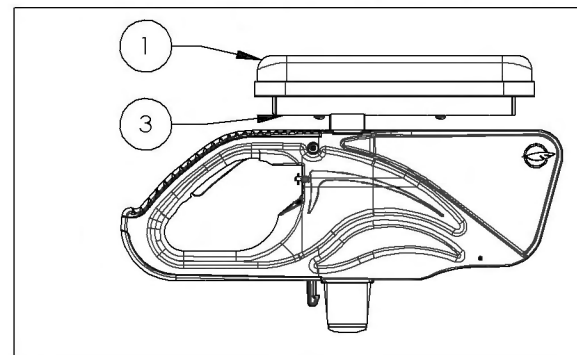


**9001303\_9001304**  
**Armrest - Flip Back & T Type Left, 8-12 in**

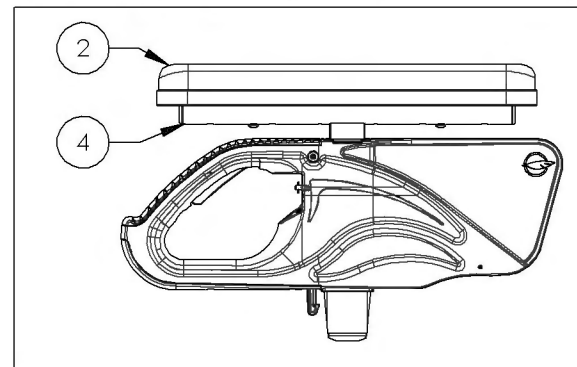


ITEM NO.	PARTNO	DESCRIPTION	9001303 /QTY.	9001304 /QTY.
1	33038	ARMREST DESK PAD	1	-
2	33039	ARMREST FULL LENGTH PAD	-	1
3	33579	V2 ARMREST STRUCTURE 8-12" FOR DESK LENGTH - ASSEMBLY	1	-
4	33559	V2 ARMREST STRUCTURE 8-12" FOR FULL LENGTH - ASSEMBLY	-	1
5	99013	SCREW PHILLIPS PAN HD #10_32 X 1_1_2	2	2
6	33554	V2 ARMREST - MAIN BODY	1	1

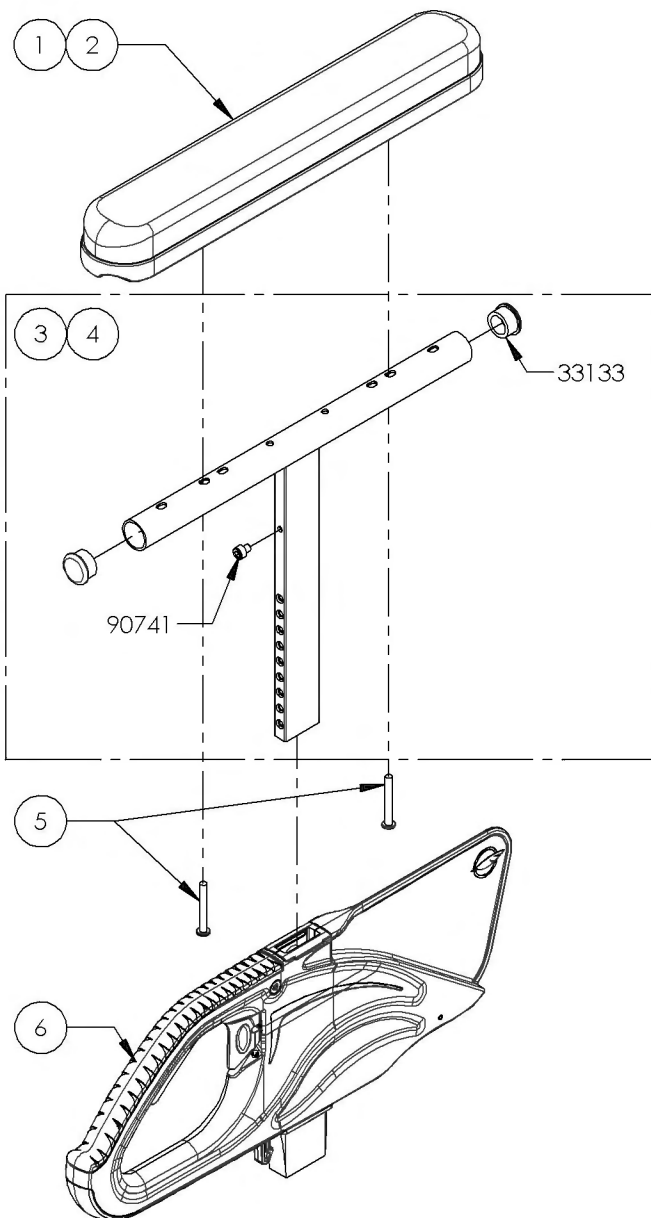
9001303  
 Armrest - Flip Back & T Type Left, 8-12 in, Desk Length



9001304  
 Armrest - Flip Back & T Type Left, 8-12 in, Full Length

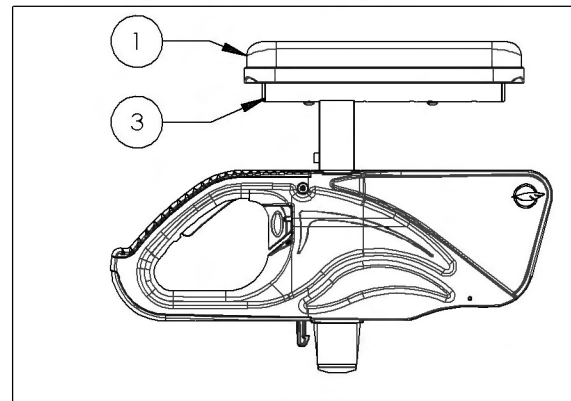


**9001301\_9001302**  
**Armrest - Flip Back & T Type Right, 10-14 in**

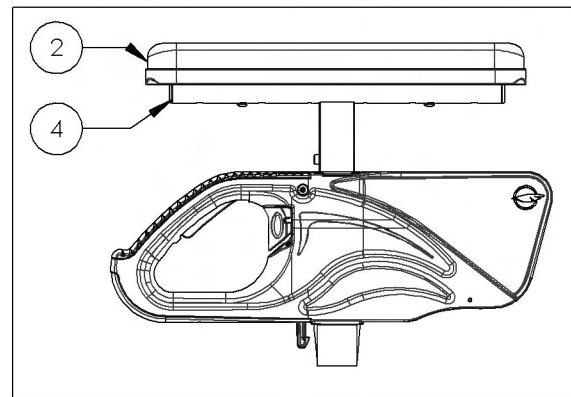


ITEM NO.	PARTNO	DESCRIPTION	9001301 /QTY.	9001302 /QTY.
1	33038	ARMREST DESK PAD	1	-
2	33039	ARMREST FULL LENGTH PAD	-	1
3	33580	V2 ARMREST STRUCTURE 10-14" FOR DESK LENGTH - ASSEMBLY	1	-
4	33560	V2 ARMREST STRUCTURE 10-14" FOR FULL LENGTH - ASSEMBLY	-	1
5	99013	SCREW PHILLIPS PAN HD #10_32 X 1_1_2	2	2
6	33554	V2 ARMREST - MAIN BODY	1	1

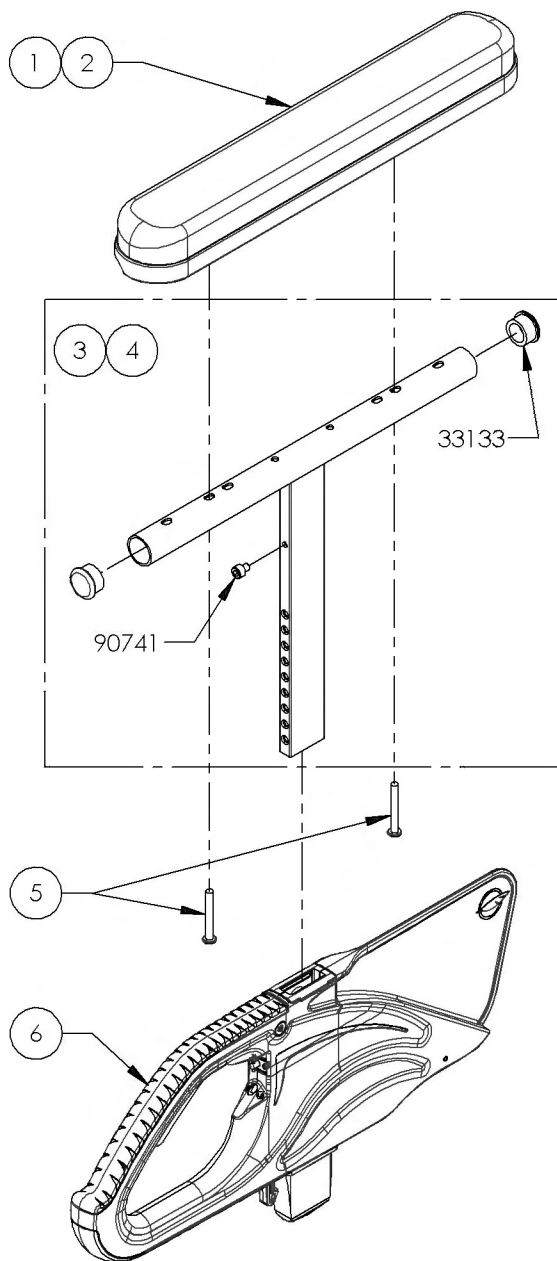
9001301  
 Armrest - Flip Back & T Type Right, 10-14 in, Desk Length



9001302  
 Armrest - Flip Back & T Type Right, 10-14 in, Full Length

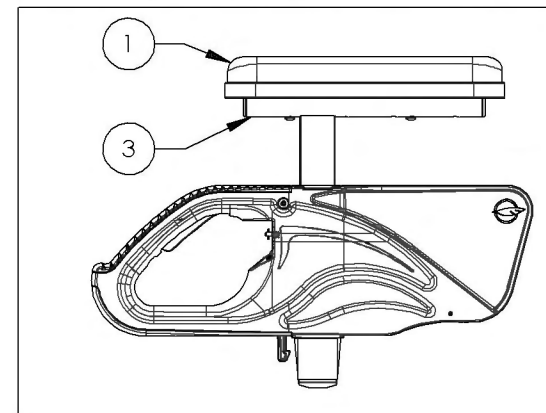


**9001305\_9001306**  
**Armrest - Flip Back & T Type Left, 10-14 in**

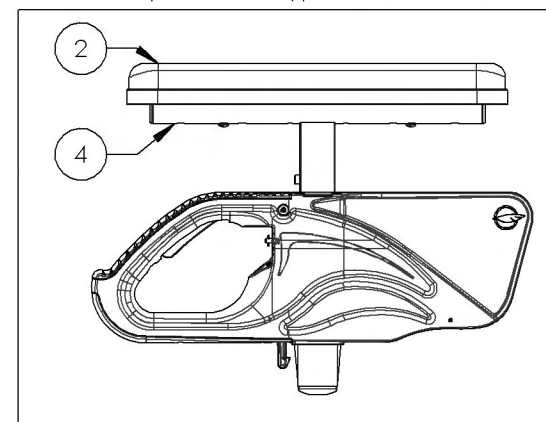


ITEM NO.	PARTNO	DESCRIPTION	9001305 /QTY.	9001306 /QTY.
1	33038	ARMREST DESK PAD	1	-
2	33039	ARMREST FULL LENGTH PAD	-	1
3	33580	V2 ARMREST STRUCTURE 10-14" FOR DESK LENGTH - ASSEMBLY	1	-
4	33560	V2 ARMREST STRUCTURE 10-14" FOR FULL LENGTH - ASSEMBLY	-	1
5	99013	SCREW PHILLIPS PAN HD #10_32 X 1_1_2	2	2
6	33554	V2 ARMREST - MAIN BODY	1	1

9001305  
 Armrest - Flip Back & T Type Left, 10-14 in, Desk Length

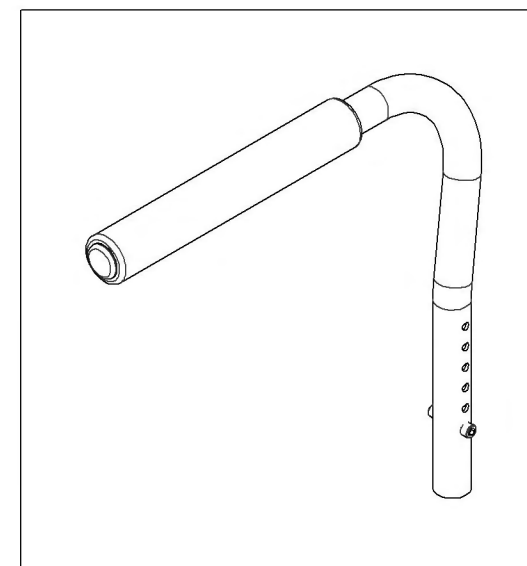
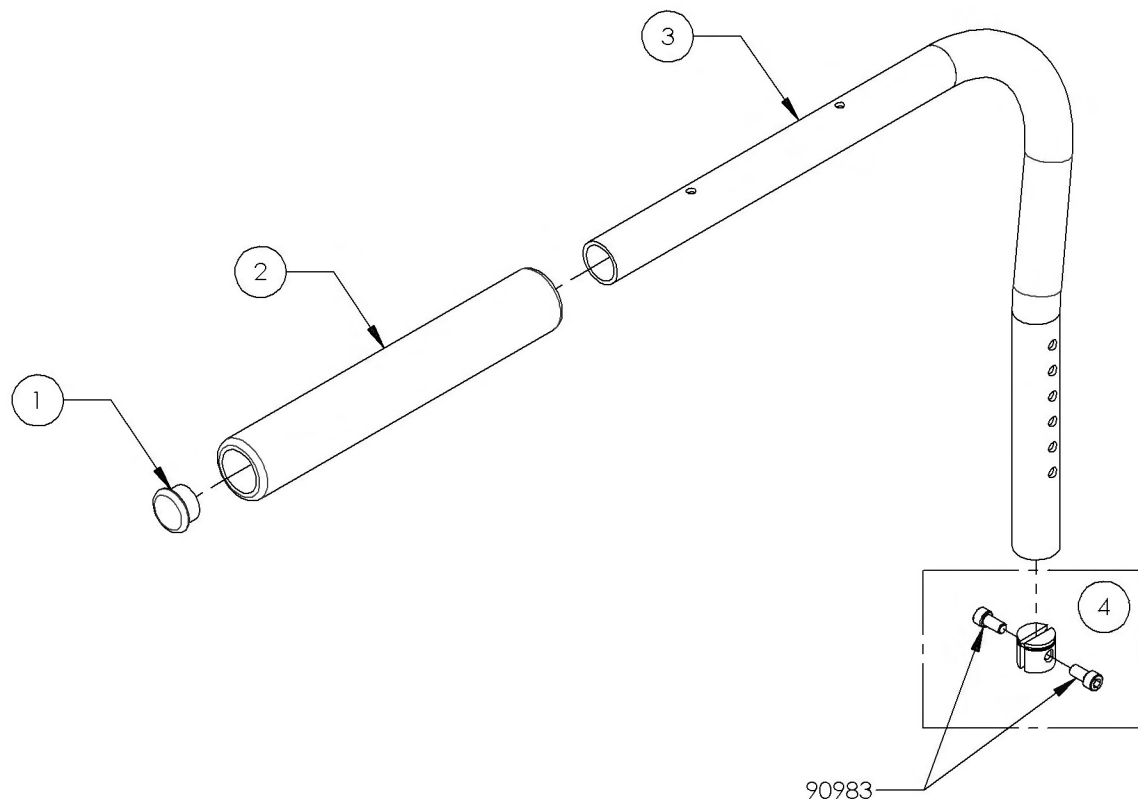


9001306  
 Armrest - Flip Back & T Type Left, 10-14 in, Full Length



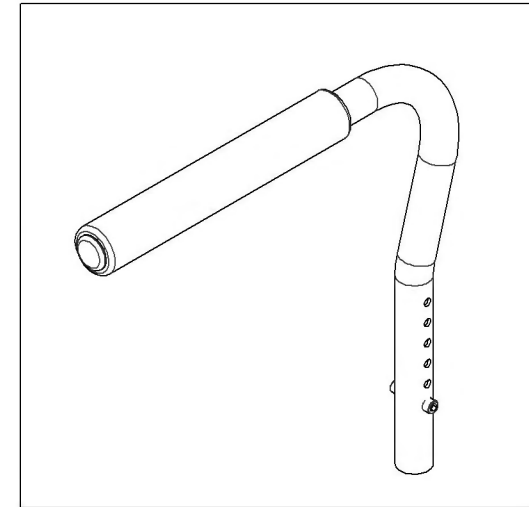
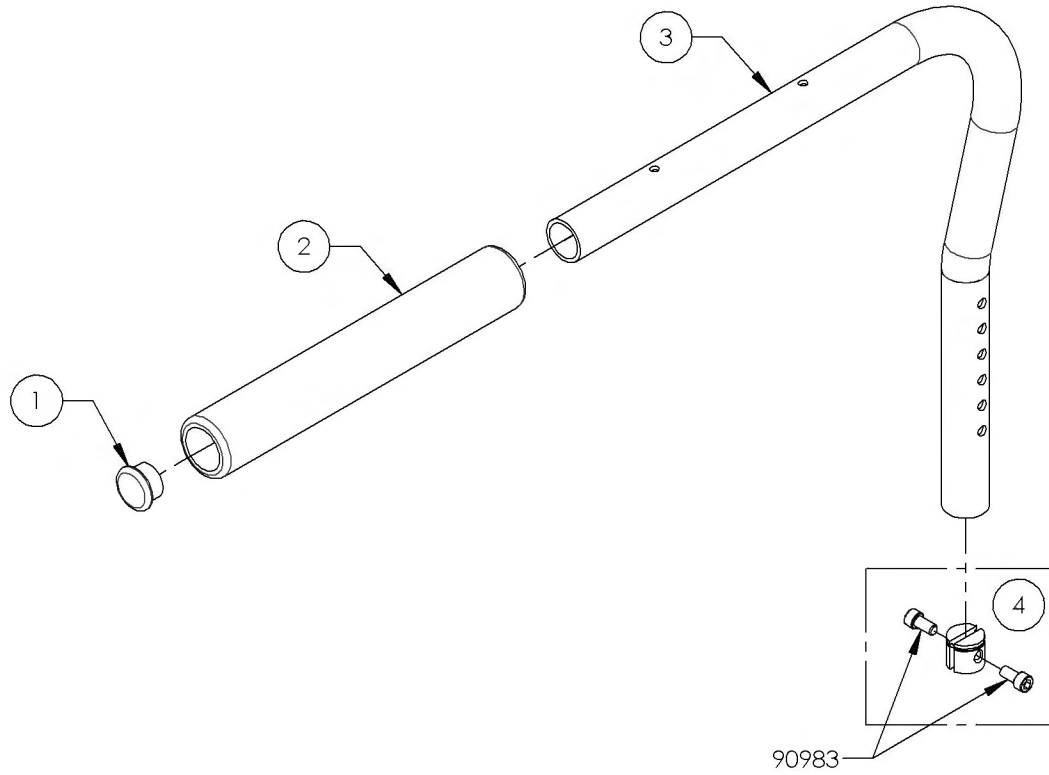
**9001308**  
**Armrest - Swing Away, Right, Tubular**

ITEM NO.	PARTNO	DESCRIPTION	9001308 /QTY.
1	99702	CAP 1 IN ALU	1
2	33049	SWING AWAY TUBULAR FOAM GRIP	1
3	33035	L TYPE ARMREST RIGHT (M)	1
4	33552	SPLIT NUT (M)	1



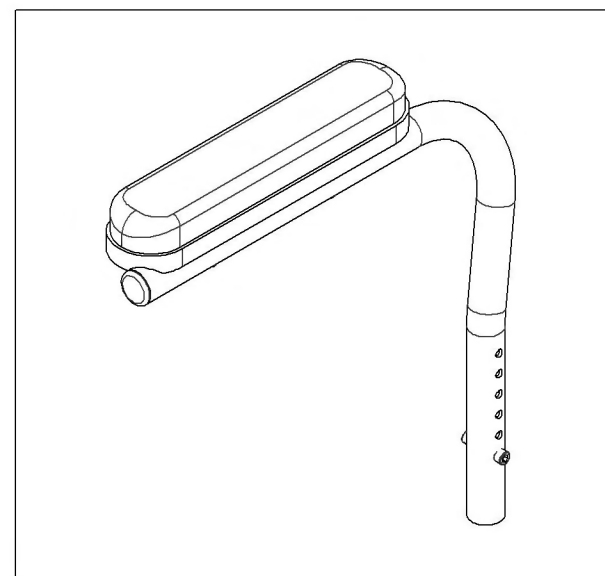
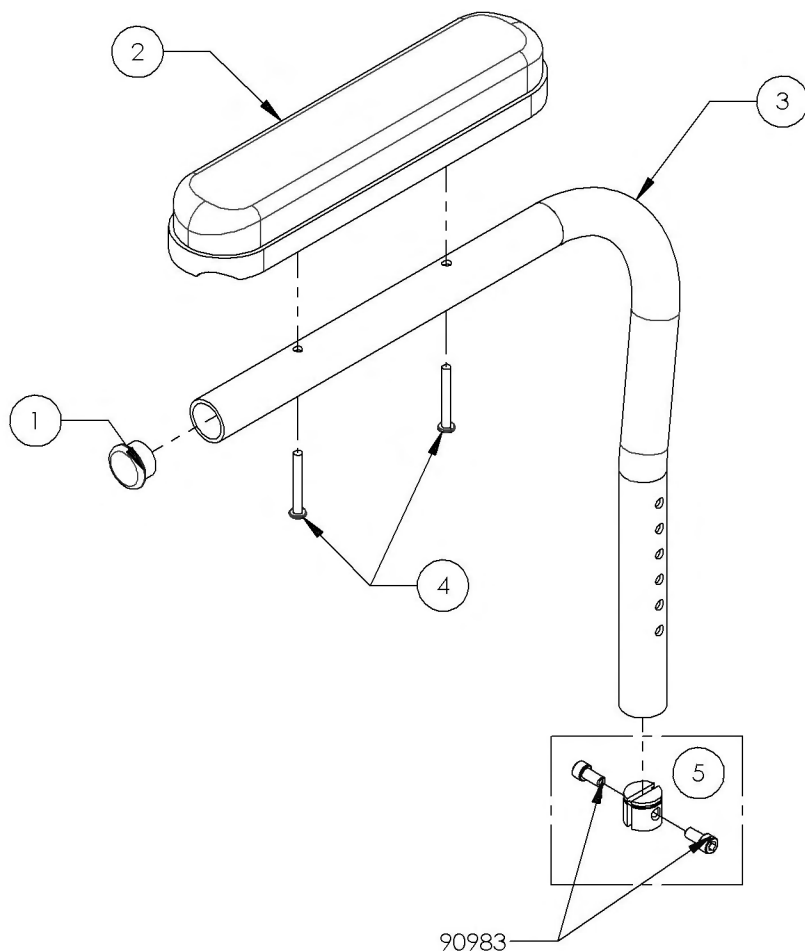
**9001309**  
**Armrest - Swing Away, Left, Tubular**

ITEM NO.	PARTNO	DESCRIPTION	9001309 /QTY.
1	99702	CAP 1 IN ALU	1
2	33049	SWING AWAY TUBULAR FOAM GRIP	1
3	33036	L TYPE ARMREST LEFT (M)	1
4	33552	SPLIT NUT (M)	1



**9001310**  
**Armrest - Swing Away, Right, Desk Length**

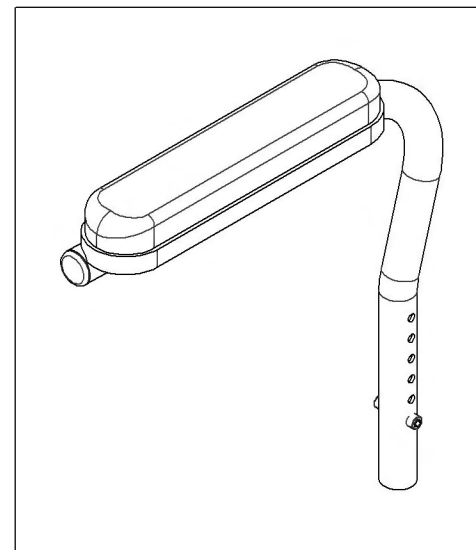
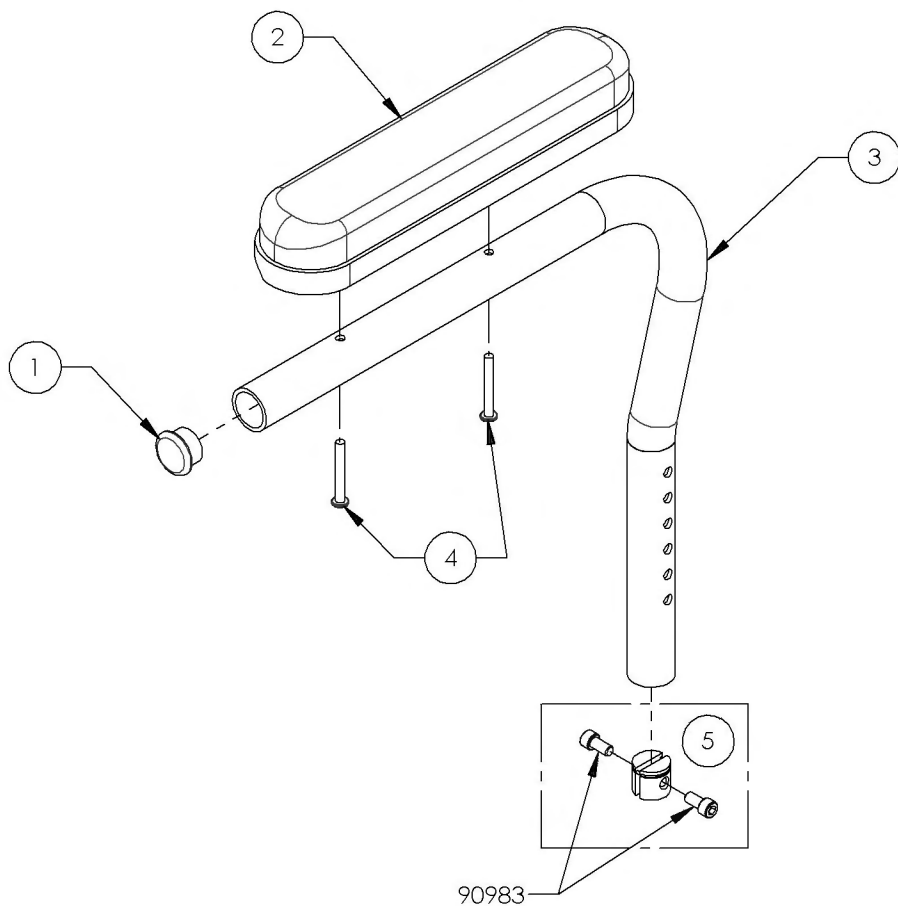
ITEM NO.	PARTNO	DESCRIPTION	9001310 /QTY.
1	99702	CAP 1 IN ALU	1
2	33038	ARMREST DESK PAD	1
3	33035	L TYPE ARMREST RIGHT (M)	1
4	99013	SCREW PHILLIPS PAN HD #10_32 X 1_1_2	2
5	33552	SPLIT NUT (M)	1





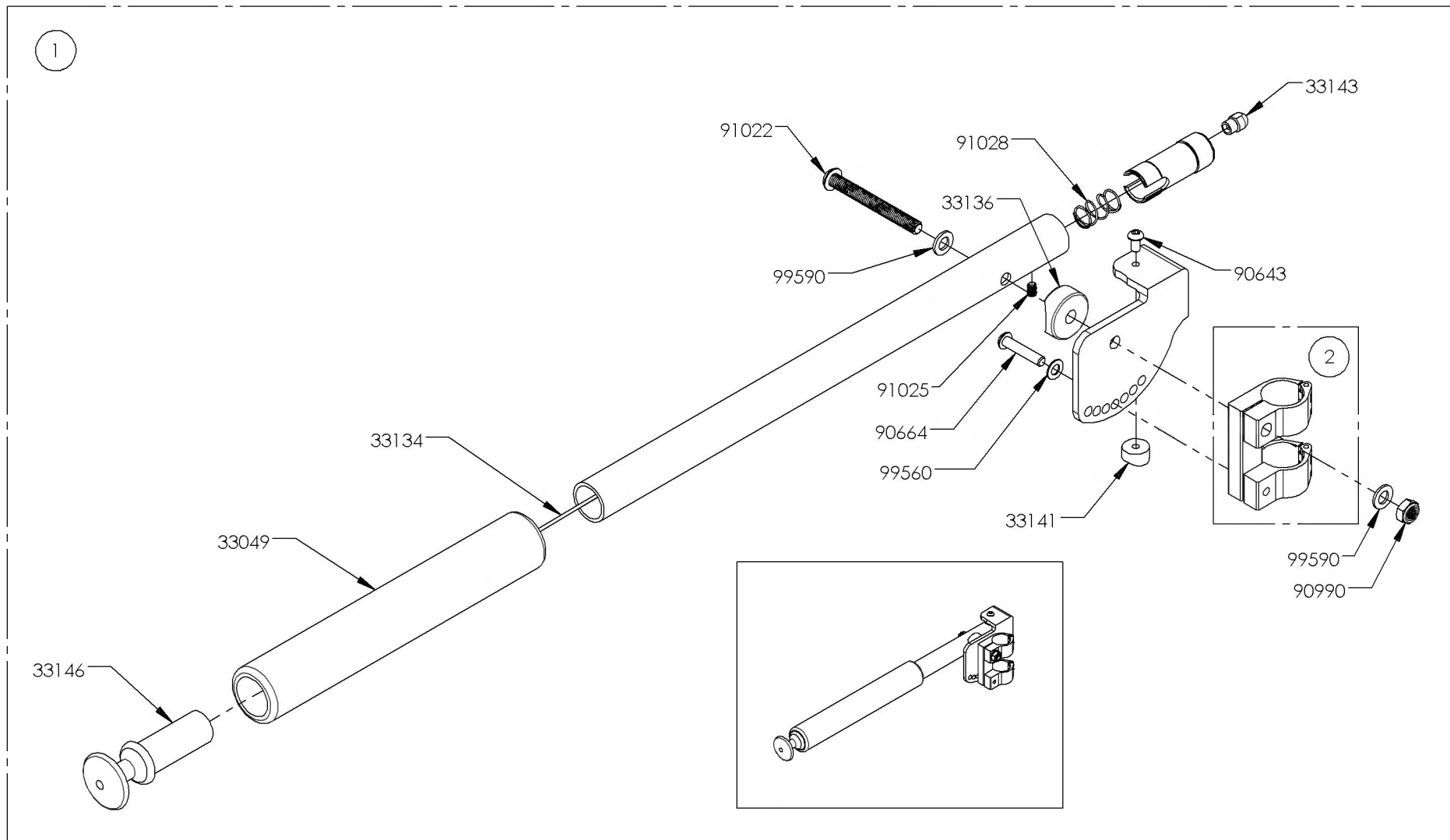
**9001311**  
**Armrest - Swing Away, Left, Desk Length**

ITEM NO.	PARTNO	DESCRIPTION	9001311 /QTY.
1	99702	CAP 1 IN ALU	1
2	33038	ARMREST DESK PAD	1
3	33036	L TYPE ARMREST LEFT (M)	1
4	99013	SCREW PHILLIPS PAN HD #10_32 X 1_1_2	2
5	33552	SPLIT NUT (M)	1



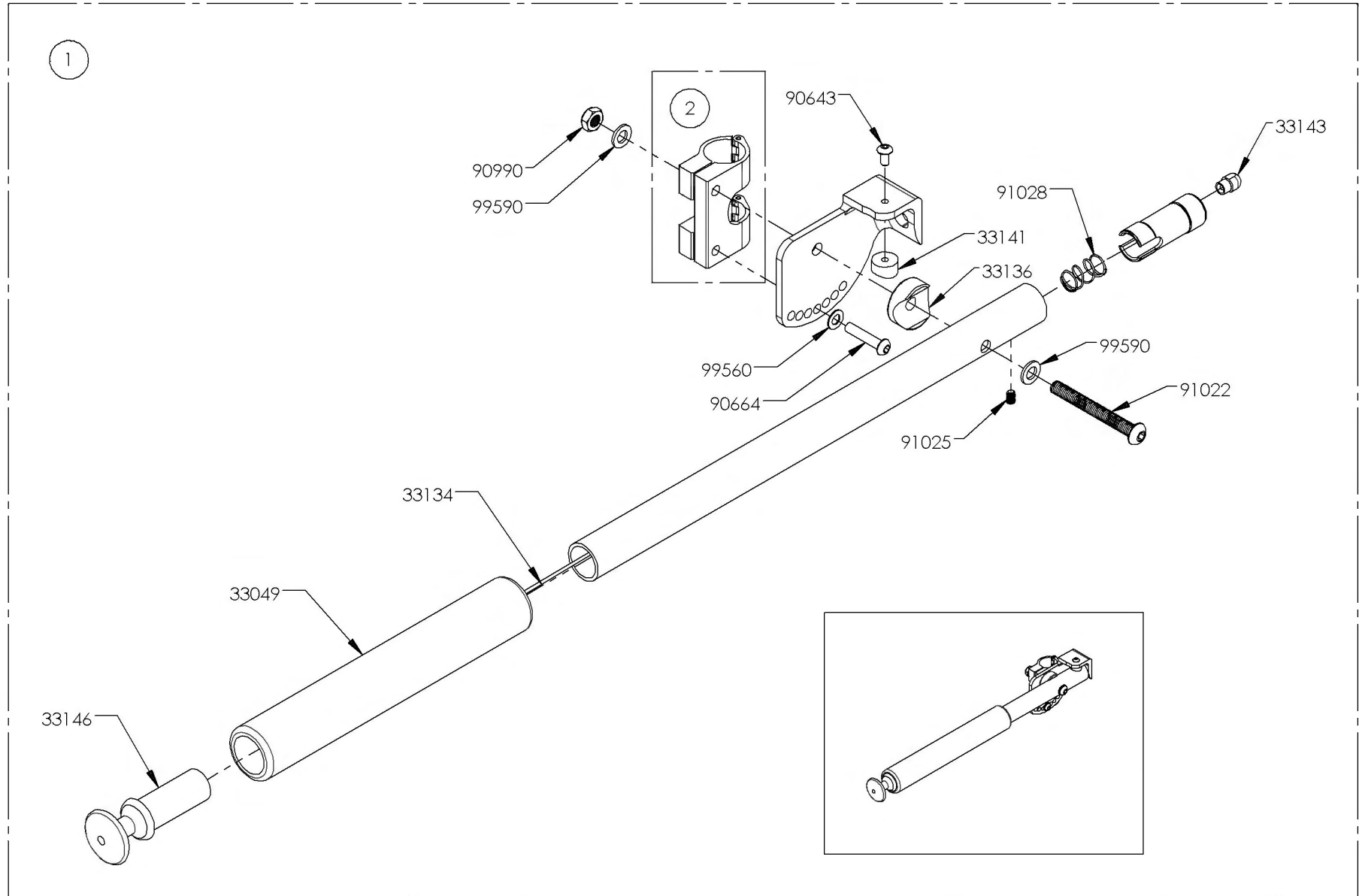
**9001316**  
**Locking Armrest - Flip Up, Right**

ITEM NO.	PARTNO	DESCRIPTION	9001316 /QTY.	REPLACEMENT PARTS/QTY.
1	33503	FLIP UP I ARMREST - RIGHT ASSEMBLY (M)	1	-
2	33706	FLIP UP I ARMREST CLAMP - ASSEMBLY (M) RIGHT	-	1



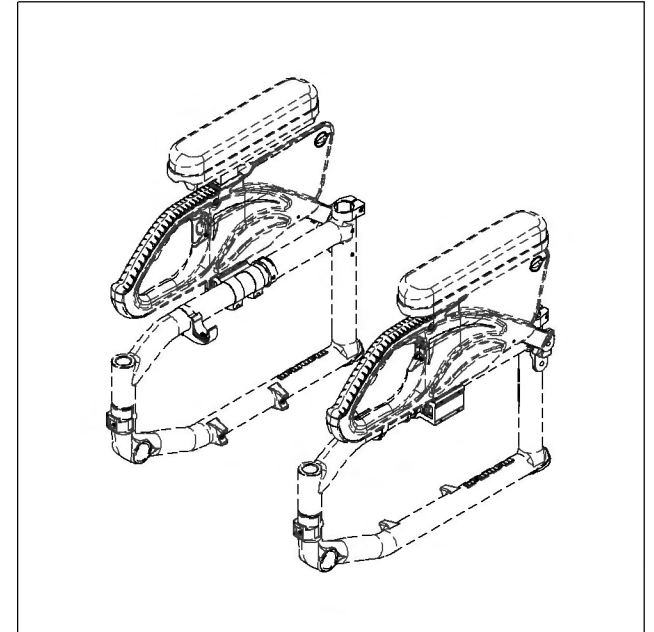
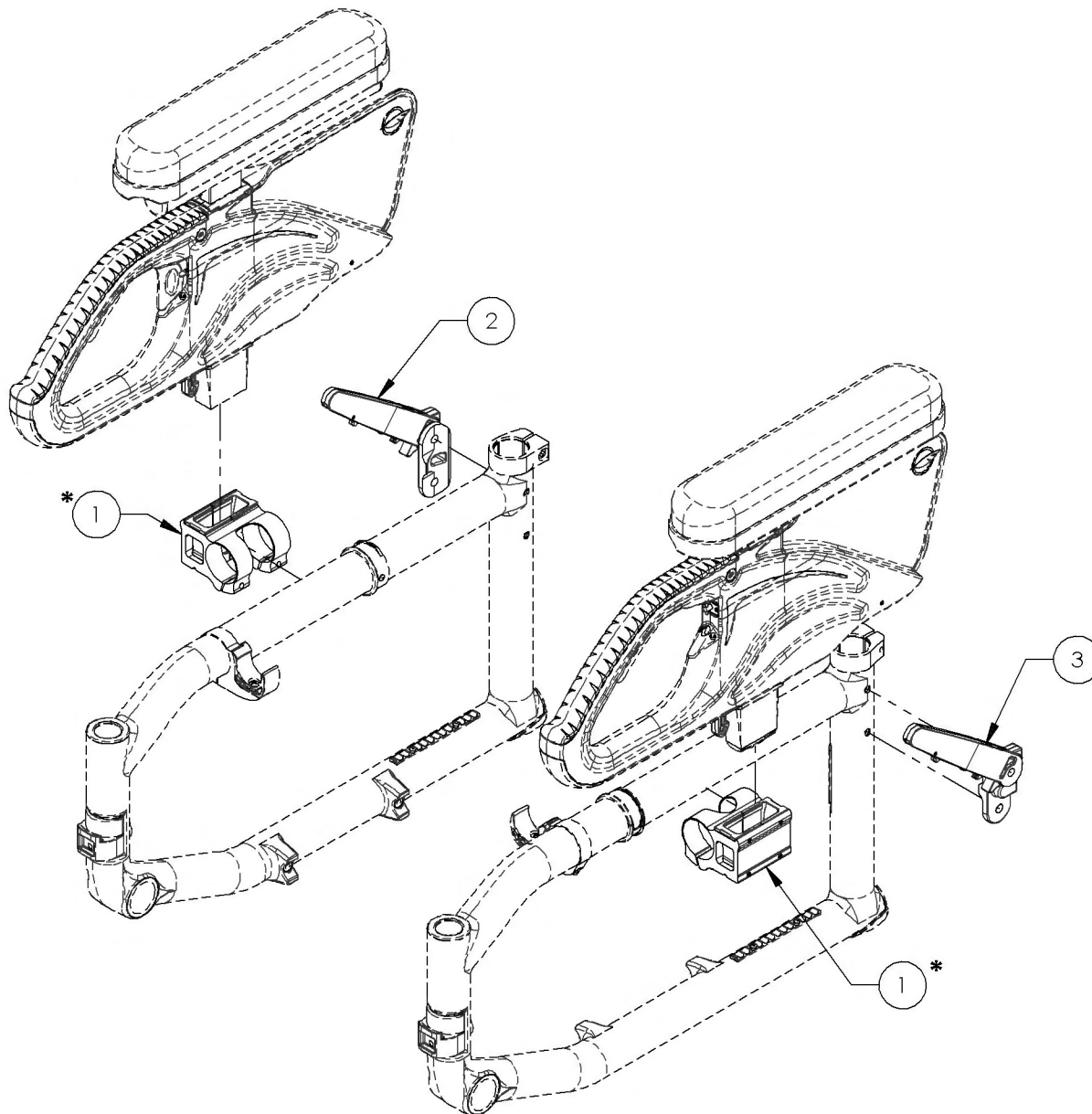
**9001317**  
**Locking Armrest - Flip Up, Left**

ITEM NO.	PARTNO	DESCRIPTION	9001317 /QTY.	REPLACEMENT PARTS/QTY.
1	33504	FLIP UP I ARMREST - LEFT ASSEMBLY (M)	1	-
2	33707	FLIP UP I ARMREST CLAMP - ASSEMBLY (M) LEFT	-	1



**Armrest Catalogue**  
**Armrests - Flip Back Receiver**

ITEM NO.	PARTNO	DESCRIPTION	QTY.
1	9001312	Armrest - Receiver, Flip Back & T Type	2
2	9001313	Armrest - Rear Pivot, Flip Back, Right	1
3	9001314	Armrest - Rear Pivot, Flip Back, Left	1

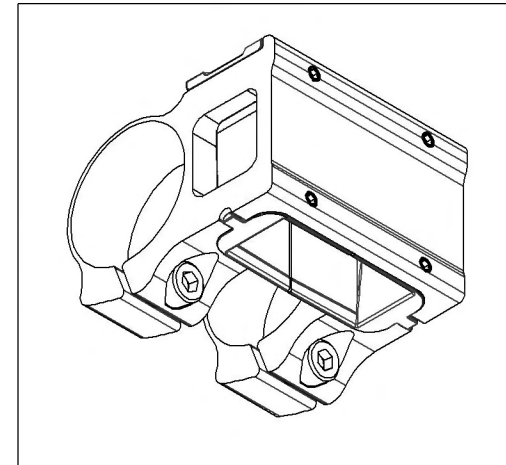
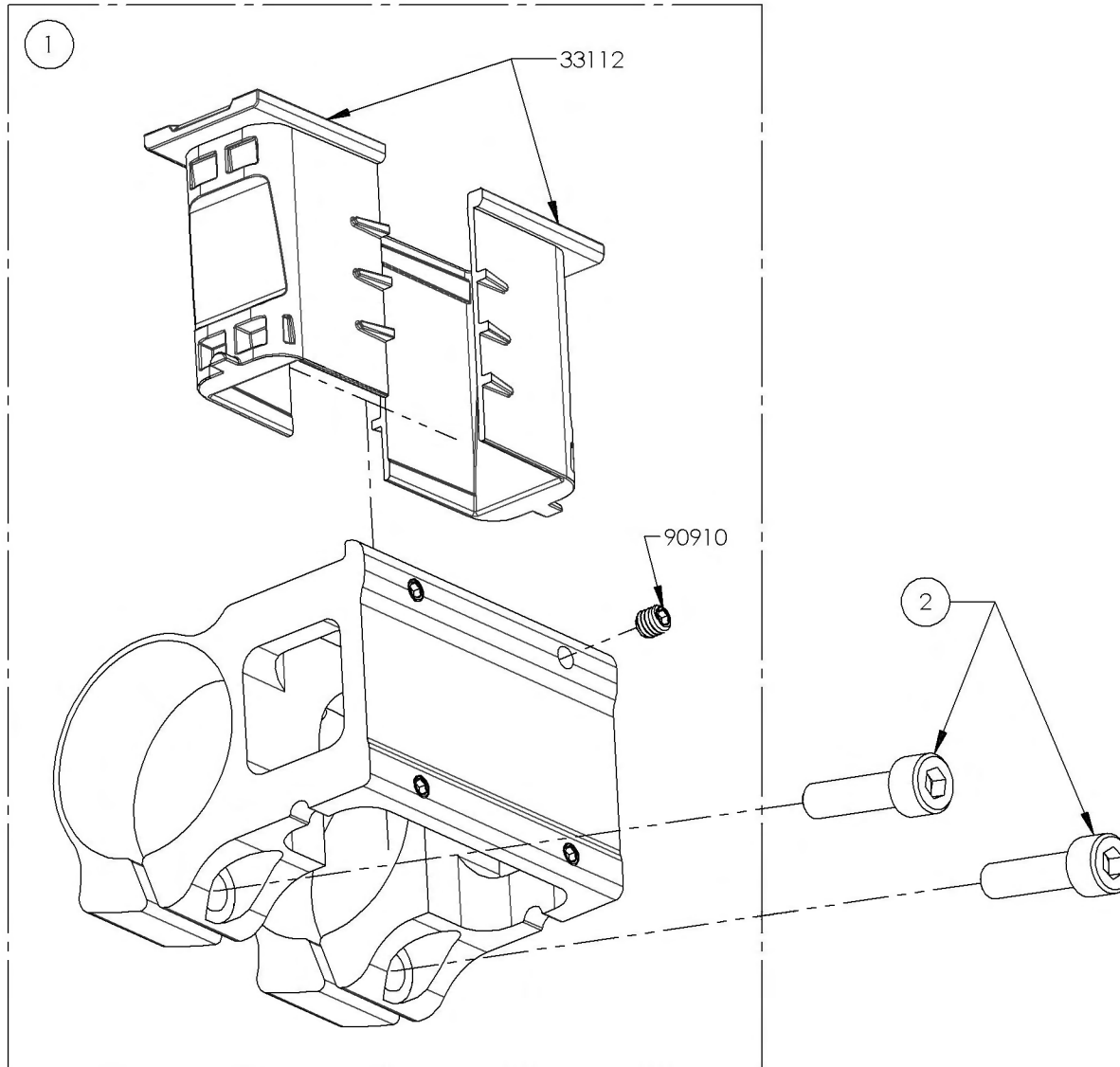


\*:NOT AVAILABLE FOR MOVE WHEELCHAIRS

MAKE SURE TO HAVE YOUR SERIAL NUMBER  
 NEARBY WHEN ORDERING PARTS FOR YOUR  
 MOTION COMPOSITES WHEELCHAIR

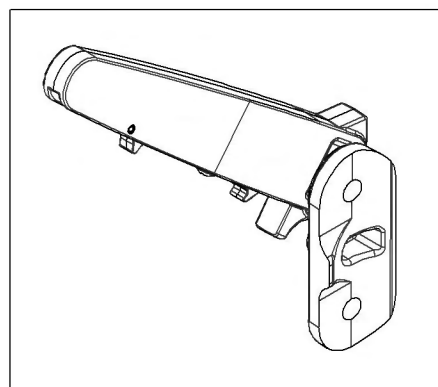
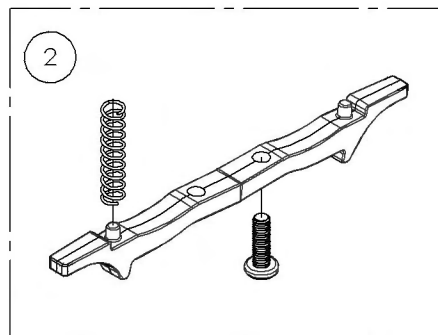
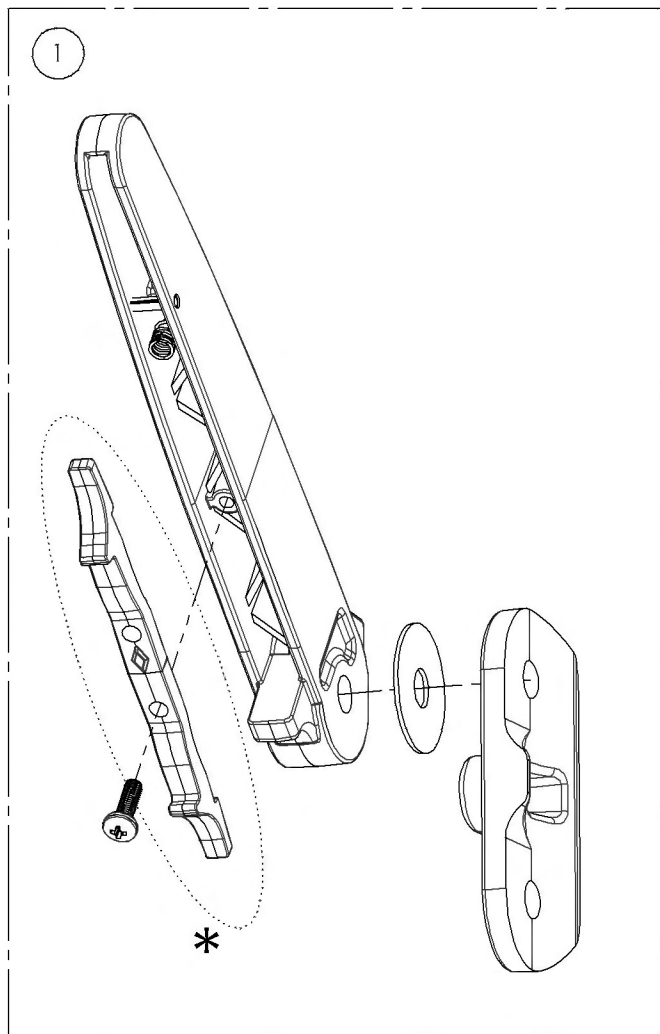
**9001312**  
**Armrest - Receiver, Flip Back & T Type**

ITEM NO.	PARTNO	DESCRIPTION	9001312 /QTY.
1	33555	V2 ARMREST RECEIVER - ASSEMBLY	1
2	90748	SOCKET CAP SCREW M5X0.8 X 18mm LONG, FULLY THREADED	2



**9001313**  
**Armrest - Rear Pivot, Flip Back, Right**

ITEM NO.	PARTNO	DESCRIPTION	9001313 /QTY.	REPLACEMENT PARTS/QTY.
1	33558	V2 ARMREST REAR PIVOT - ASSEMBLY	1	-
2	33561	V2 ARMREST DOUBLE HOOK TRIGGER - ASSEMBLY	-	1

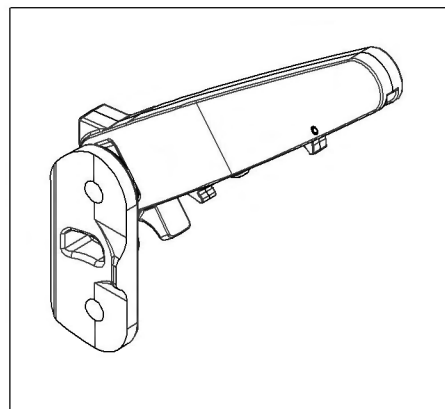
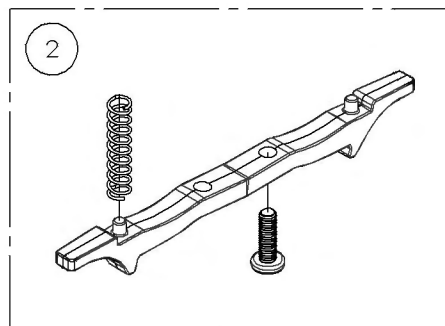
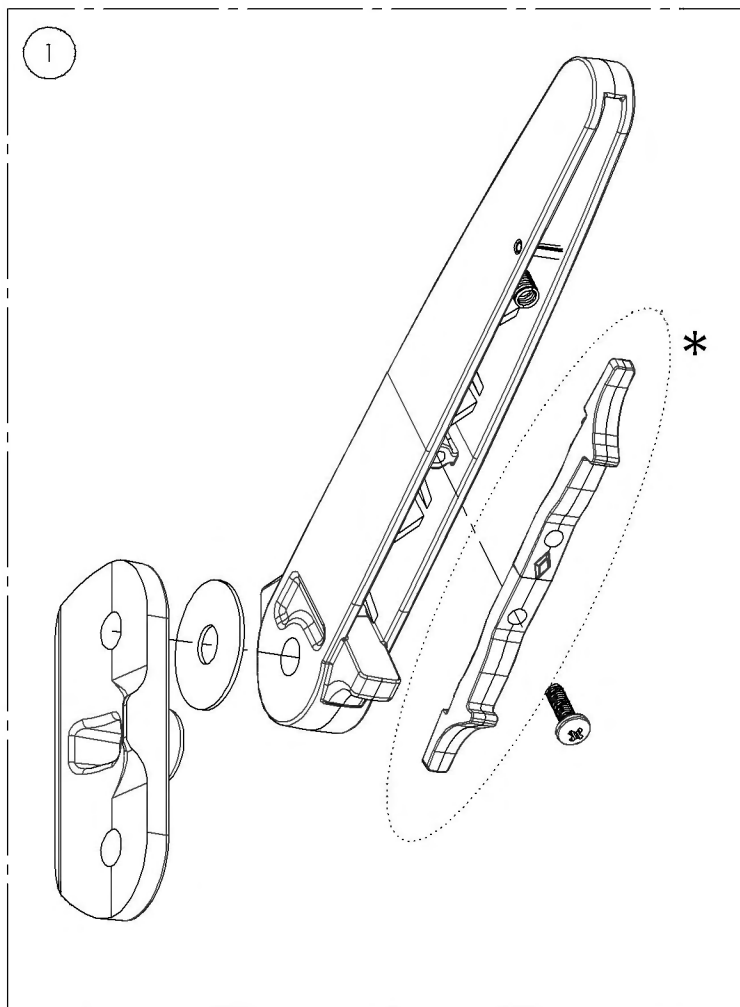


**\* DOUBLE TRIGGER INSTALLATION OPTIONS**

STANDARD RELEASE	LOCK POSITION
DETAIL A	DETAIL B
<p>NOTICE THE DIRECTION OF THE DIAMOND SHAPE ON THE TRIGGER. HIS DISTANCE FROM THE SCREW INDICATES THE CONFIGURATION USED</p>	

**9001314**  
**Armrest - Rear Pivot, Flip Back, Left**

ITEM NO.	PARTNO	DESCRIPTION	9001314 /QTY.	REPLACEMENT PARTS/QTY.
1	33558	V2 ARMREST REAR PIVOT - ASSEMBLY	1	-
2	33561	V2 ARMREST DOUBLE HOOK TRIGGER - ASSEMBLY	-	1



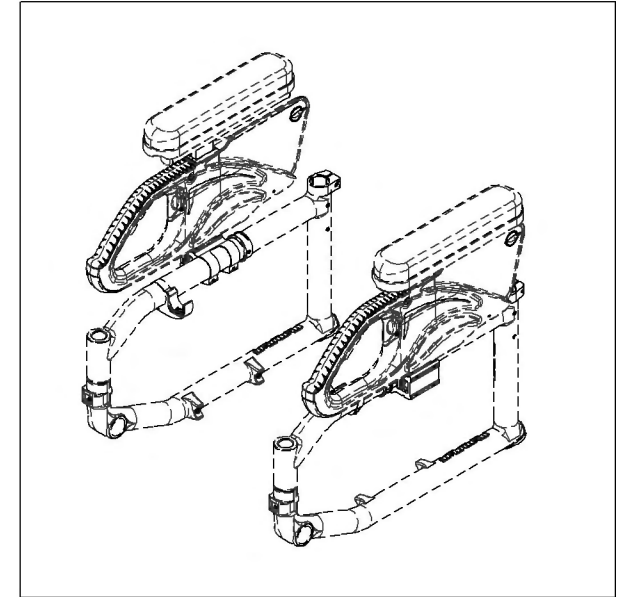
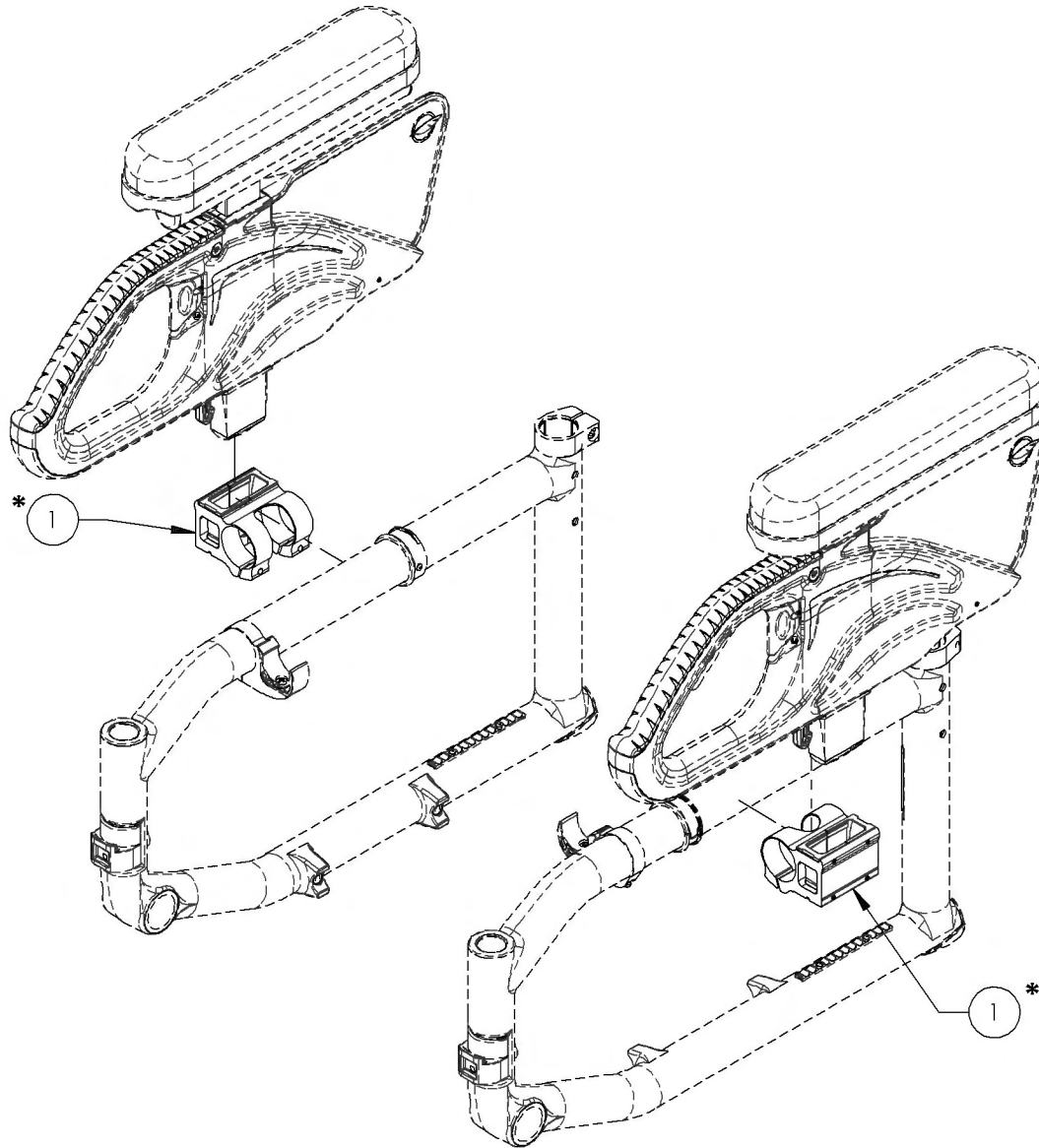
**\*DOUBLE TRIGGER INSTALLATION OPTIONS**

STANDARD RELEASE	LOCK POSITION
DETAIL A	DETAIL B

NOTICE THE DIRECTION OF THE DIAMOND SHAPE ON THE TRIGGER, HIS DISTANCE FROM THE SCREW INDICATES THE CONFIGURATION USED

**Armrest Catalogue**  
**Armrests - T Type Receiver**

ITEM NO.	PARTNO	DESCRIPTION	QTY.
1	9001312	Armrest - Receiver, Flip Back & T Type	2



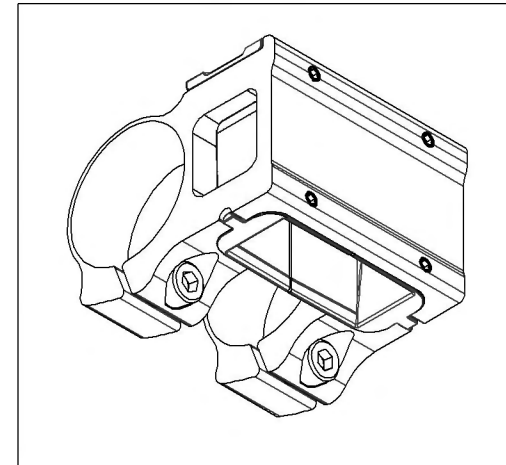
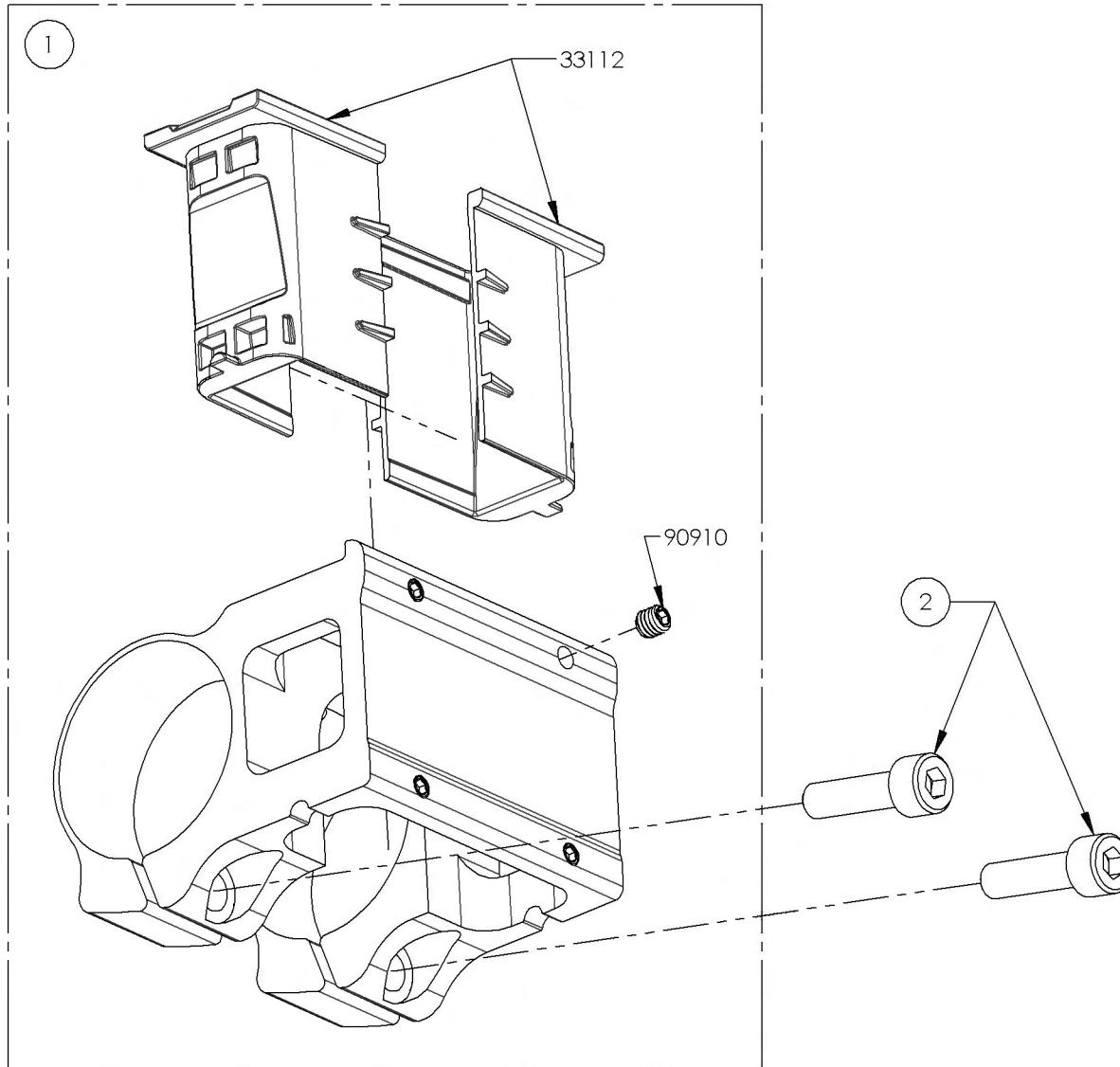
\*:NOT AVAILABLE FOR MOVE WHEELCHAIRS

MAKE SURE TO HAVE YOUR SERIAL NUMBER  
 NEARBY WHEN ORDERING PARTS FOR YOUR  
 MOTION COMPOSITES WHEELCHAIR



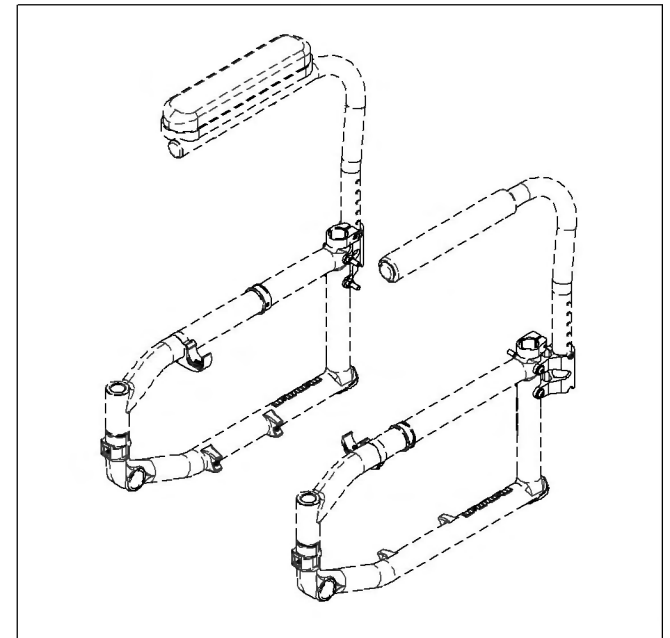
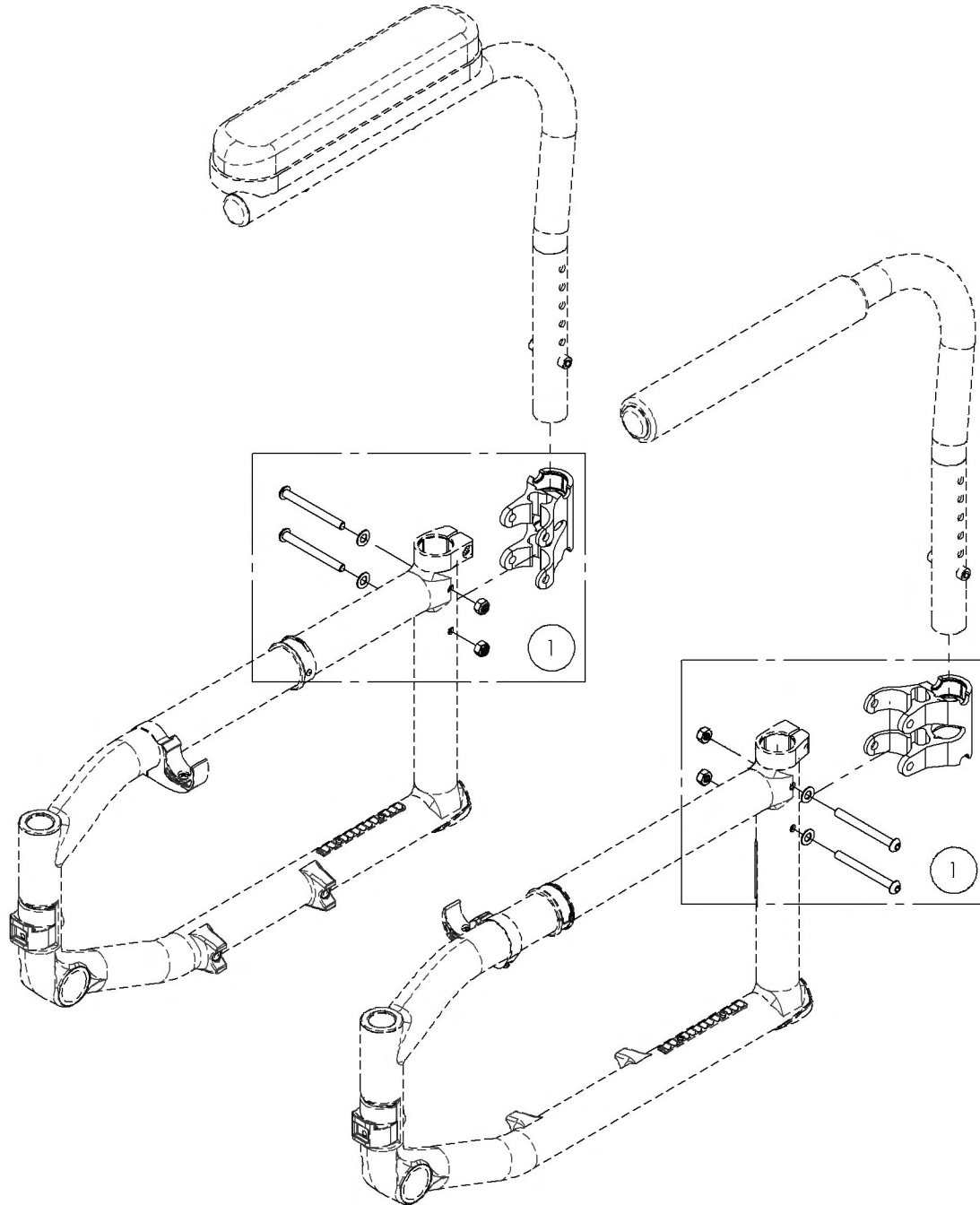
**9001312**  
**Armrest - Receiver, Flip Back & T Type**

ITEM NO.	PARTNO	DESCRIPTION	9001312 /QTY.
1	33555	V2 ARMREST RECEIVER - ASSEMBLY	1
2	90748	SOCKET CAP SCREW M5X0.8 X 18mm LONG, FULLY THREADED	2



**Armrest Catalogue**  
**Armrests - Swing Away Receiver**

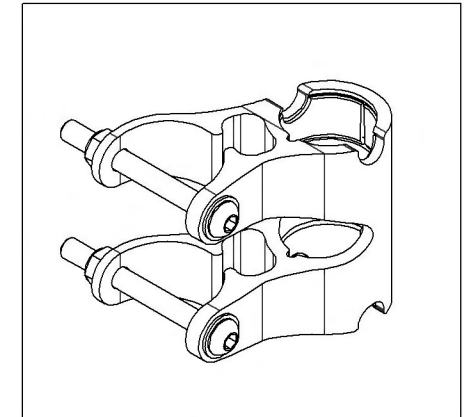
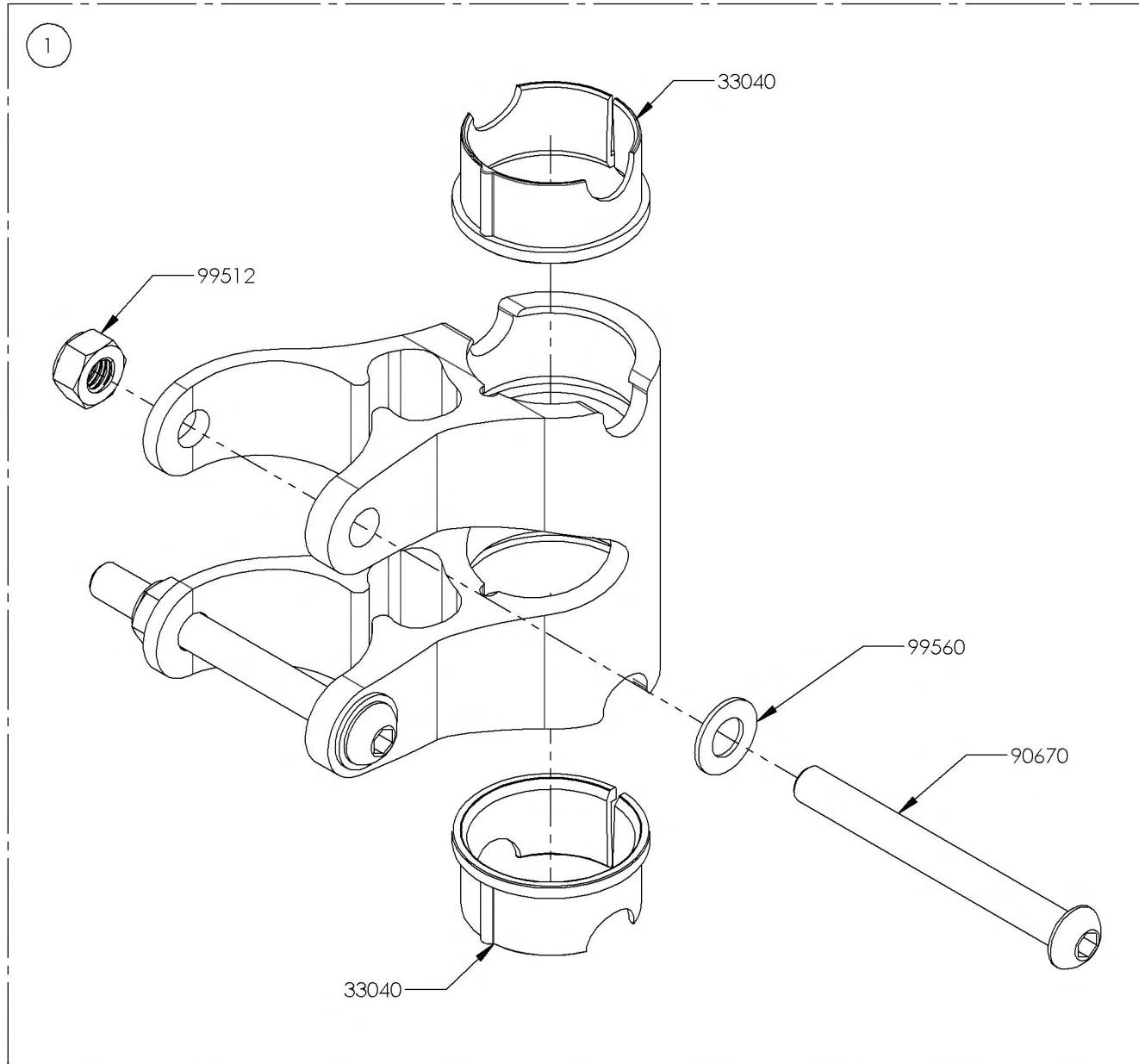
ITEM NO.	PARTNO	DESCRIPTION	QTY.
1	9001315	Armrest - Receiver, Swing Away	2



MAKE SURE TO HAVE YOUR SERIAL NUMBER  
 NEARBY WHEN ORDERING PARTS FOR YOUR  
 MOTION COMPOSITES WHEELCHAIR

**9001315**  
**Armrest - Receiver, Swing Away**

ITEM NO.	PARTNO	DESCRIPTION	9001315 /QTY.
1	33538	L ARMREST HOUSING	1



WHEELCHAIR COMPATIBILITY CHART

**VELOCE**

**HELIO C2**

**HELIO A7**

**HELIO KIDS**

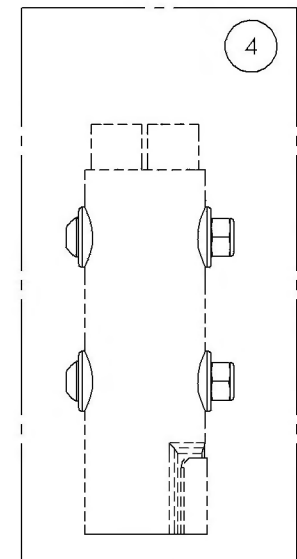
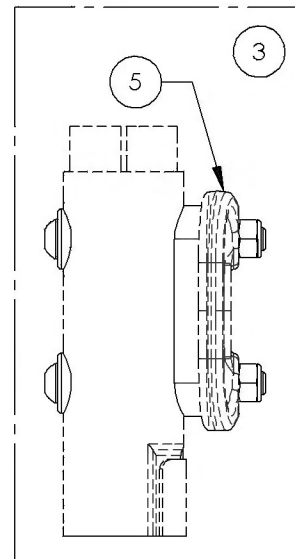
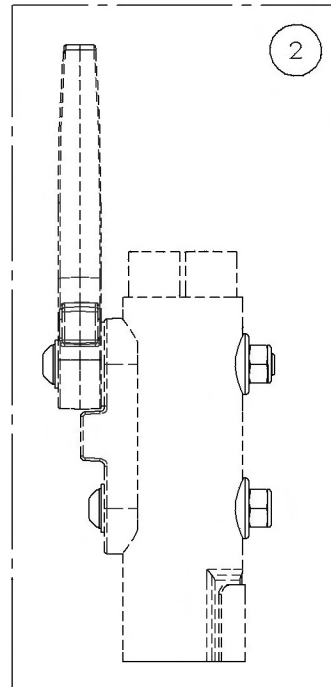
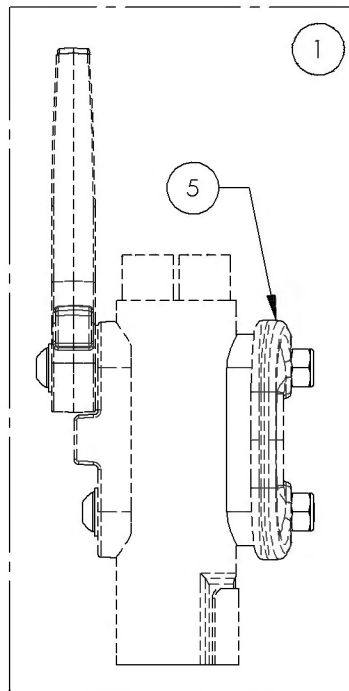
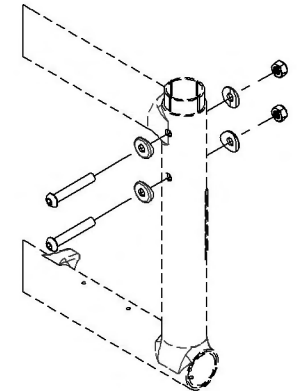
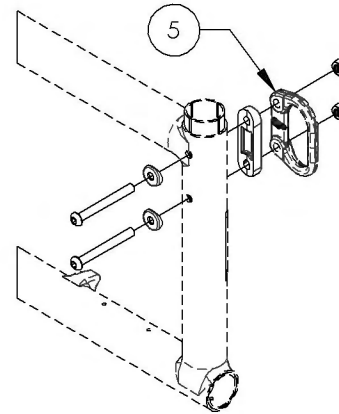
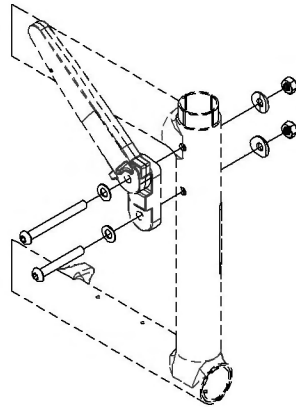
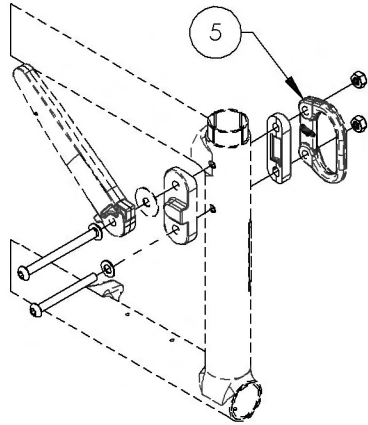
**MOVE**

**HELIO C1**

MAKE SURE TO HAVE YOUR SERIAL NUMBER NEARBY WHEN ORDERING PARTS FOR YOUR MOTION COMPOSITES WHEELCHAIR

**Armrest Catalogue  
Back Cane Hardware**

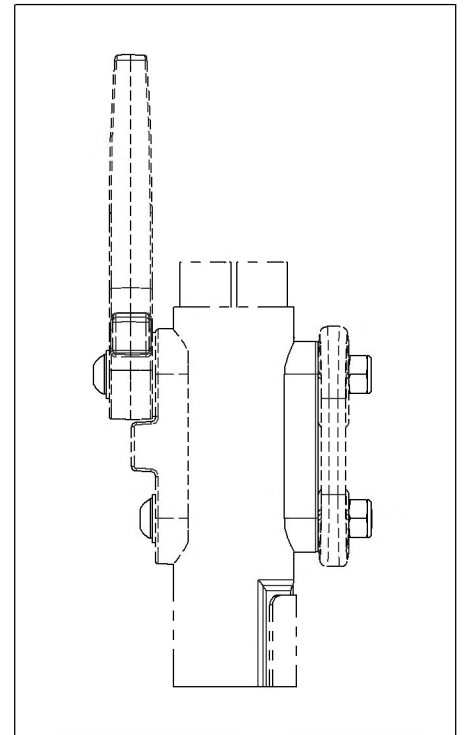
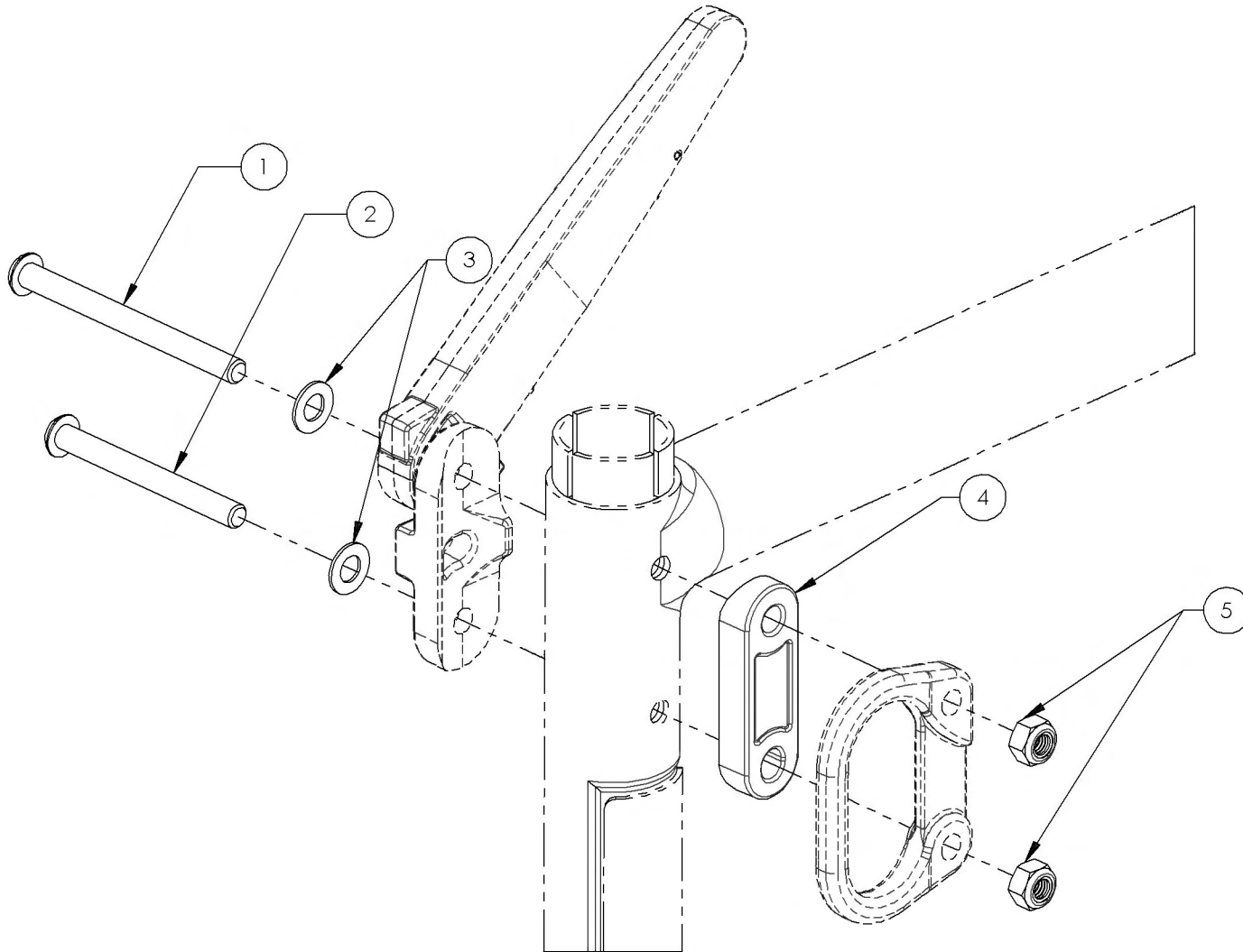
ITEM NO.	PARTNO	DESCRIPTION	QTY.
1	9001233	Back Cane - Hardware, With Tie Down for Flip Back Armrest	1
2	9001234	Back Cane - Hardware, Without Tie Down for Flip Back Armrest	1
3	9001235	Back Cane - Hardware, With Tie Down for T Armrest, Side Guards, Mud Guards, Locking Flip-Up Armrest, No Armrest	1
4	9001236	Back Cane - Hardware, Without Tie Down for T Armrest, Side Guards, Mud Guards, Locking Flip-Up Armrest, No Armrest	1
5	9001625	Tie Down - Rear, For Unoccupied Transit	1



MAKE SURE TO HAVE YOUR SERIAL NUMBER  
NEARBY WHEN ORDERING PARTS FOR YOUR  
MOTION COMPOSITES WHEELCHAIR

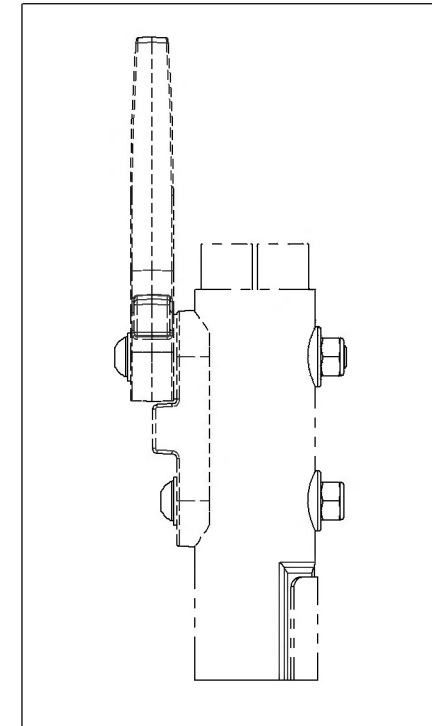
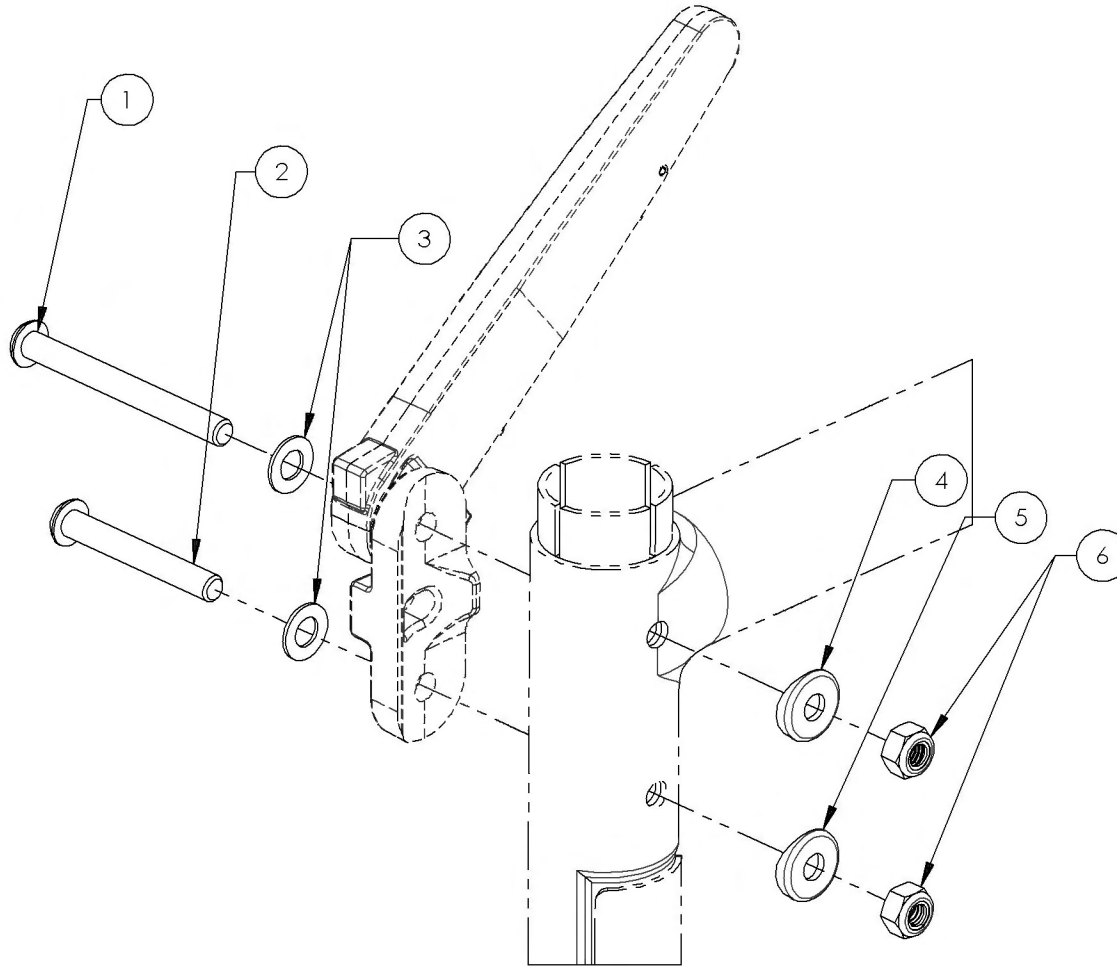
**9001233**  
**Back Cane - Hardware, With Tie Down for Flip Back Armrest**

ITEM NO.	PARTNO	DESCRIPTION	9001233 /QTY.
1	90982	BUTTON HEAD CAP SCREW M6X1 X 70mm LONG, 24mm THREADED	1
2	90670	BUTTON HEAD CAP SCREW M6X1 X 58mm LONG, 24mm THREADED	1
3	99560	WASHER 1/4 17/64 ID X 1/2 OD X .032 THK	2
4	32066	DOUBLE COVED WASHER	1
5	99512	M6 LOW NYLON LOCK	2



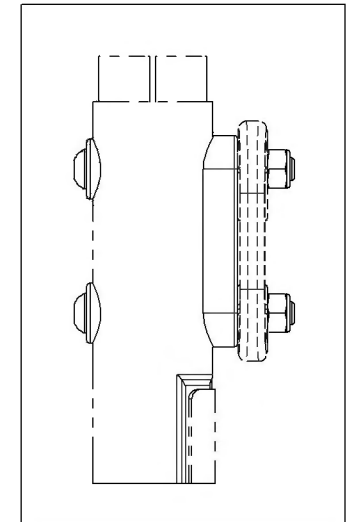
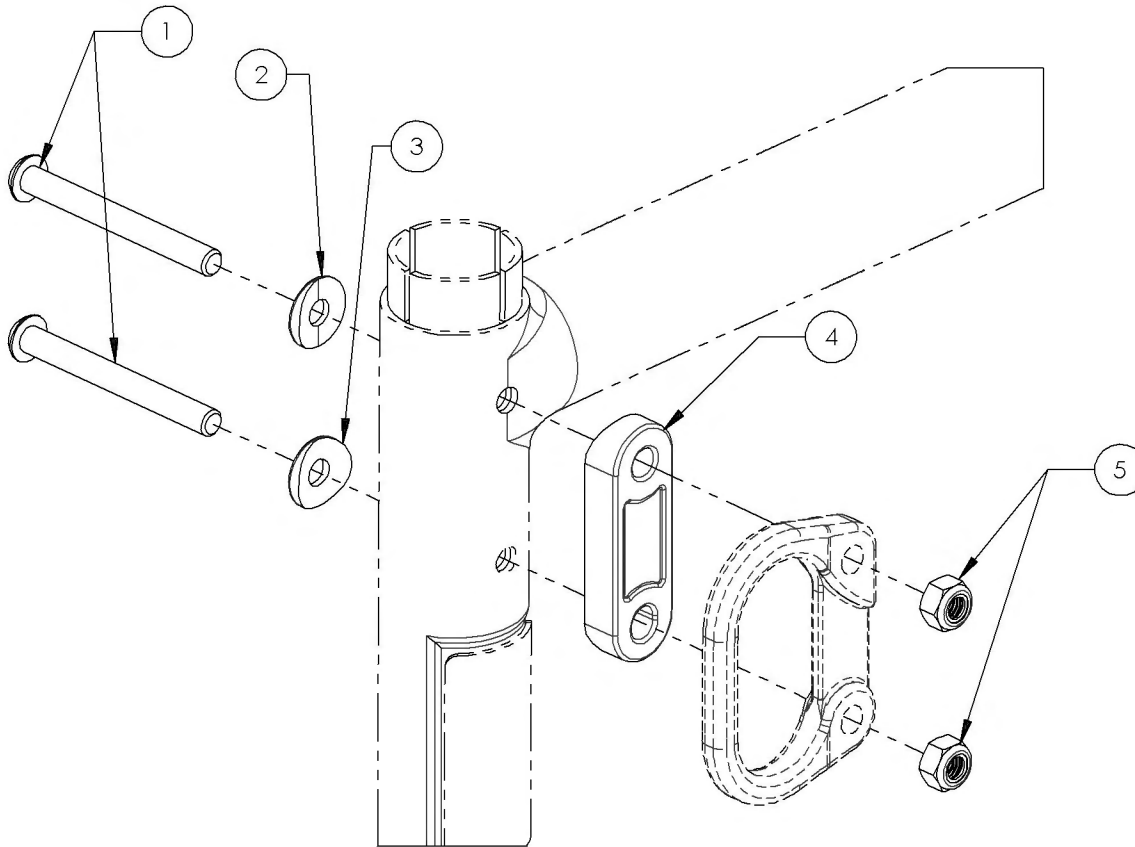
**9001234**  
**Back Cane - Hardware, Without Tie Down for Flip Back Armrest**

ITEM NO.	PARTNO	DESCRIPTION	9001234 /QTY.
1	90670	BUTTON HEAD CAP SCREW M6X1 X 58mm LONG, 24mm THREADED	1
2	90667	BUTTON HEAD CAP SCREW M6X1 X 43mm LONG, 24mm THREADED	1
3	99560	WASHER 1/4 17/64 ID X 1/2 OD X .032 THK	2
4	32089	ALU SEMI COVERED WASHER	1
5	31179	V2 FOOTREST COVERED WASHER	1
6	99512	M6 LOW NYLON LOCK	2



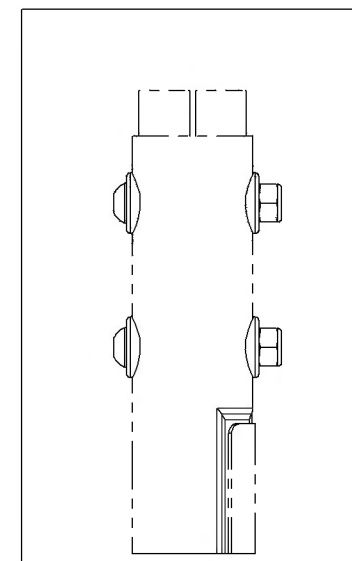
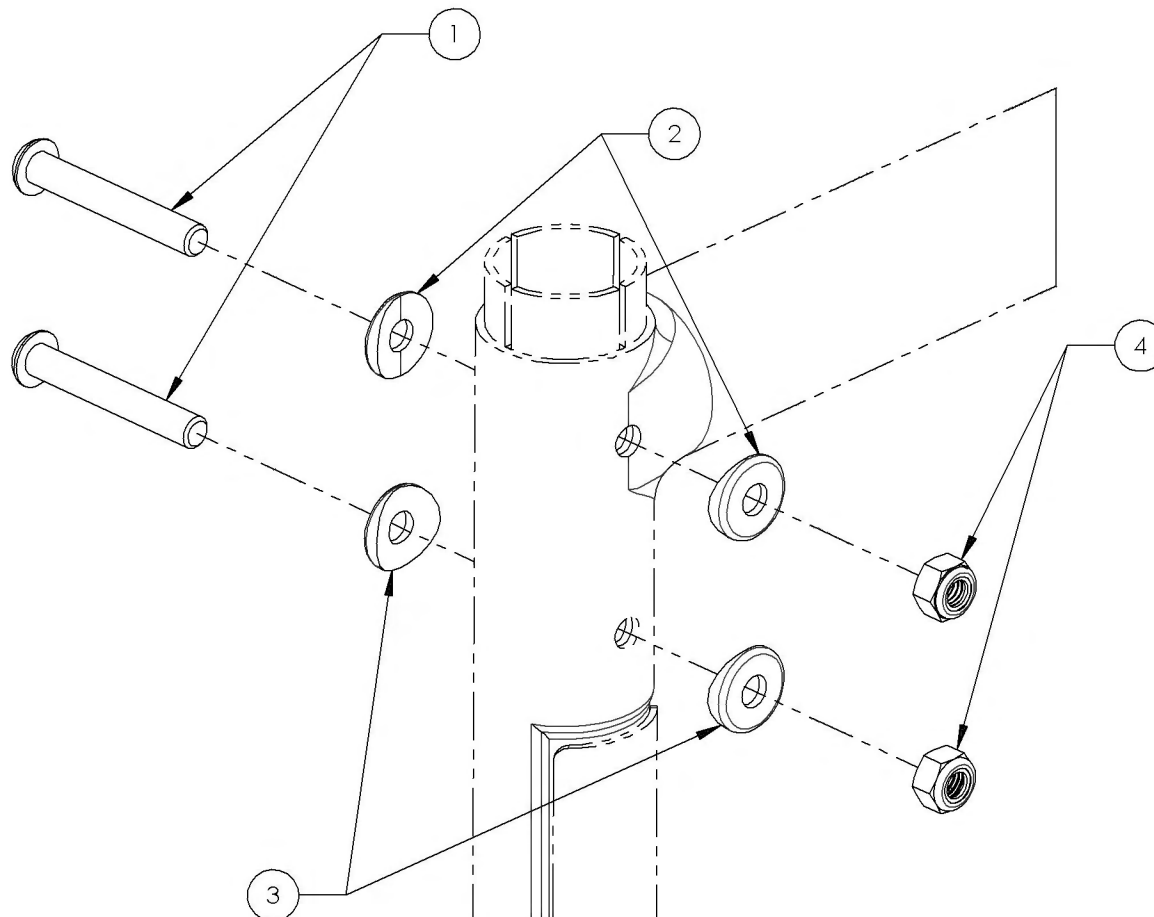
**9001235**  
**Back Cane - Hardware, With Tie Down for T Armrest, Side Guards, Mud**  
**Guards, Locking Flip-Up Armrest, No Armrest**

ITEM NO.	PARTNO	DESCRIPTION	9001235 /QTY.
1	90669	BUTTON HEAD CAP SCREW M6X1 X 55mm LONG, 24mm THREADED	2
2	32089	ALU SEMI COVED WASHER	1
3	31179	V2 FOOTREST COVERED WASHER	1
4	32066	DOUBLE COVERED WASHER	1
5	99512	M6 LOW NYLON LOCK	2



**9001236**  
**Back Cane - Hardware, Without Tie Down for T Armrest, Side Guards, Mud Guards,**  
**Locking Flip-Up Armrest, No Armrest**

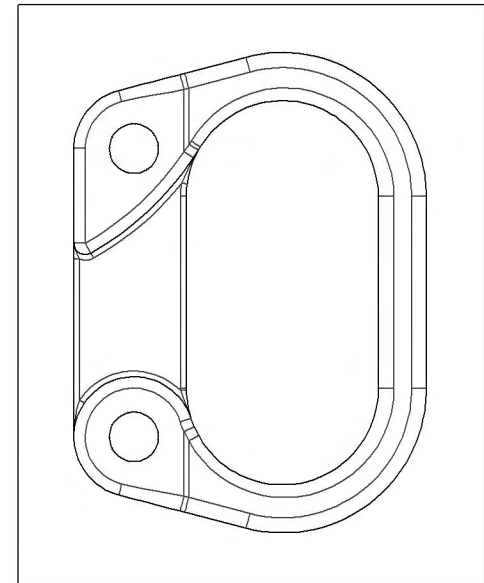
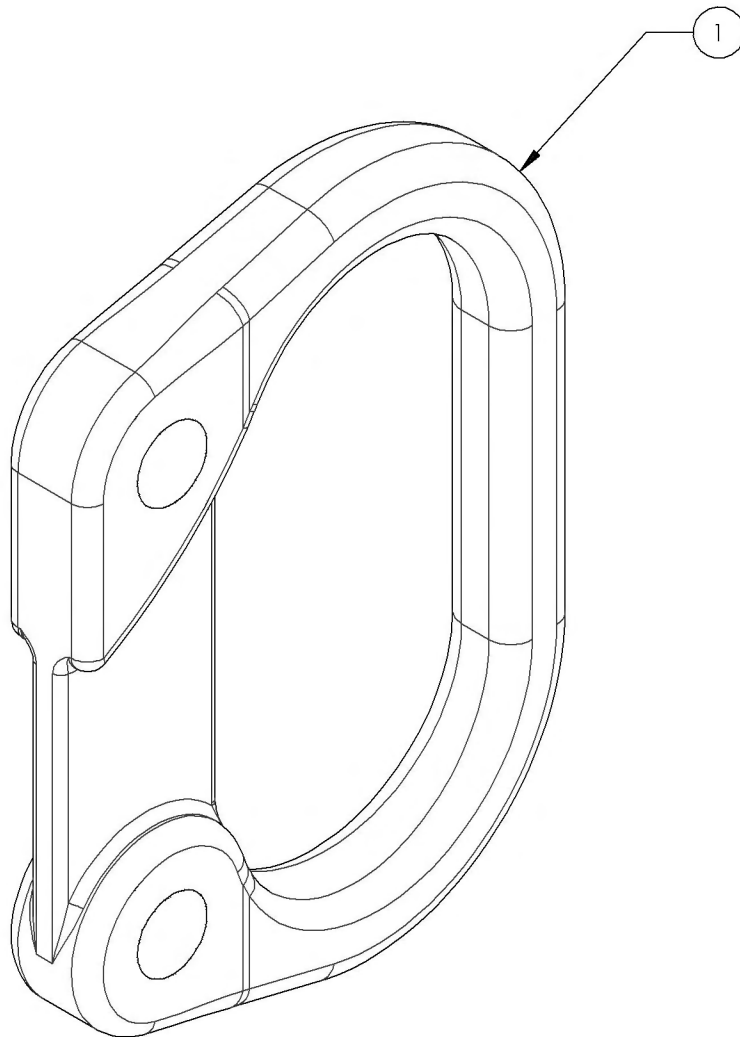
ITEM NO.	PARTNO	DESCRIPTION	9001236 /QTY.
1	90666	BUTTON HEAD CAP SCREW M6X1 X 40mm LONG, 24mm THREADED	2
2	32089	ALU SEMI COVERED WASHER	2
3	31179	V2 FOOTREST COVERED WASHER	2
4	99512	M6 LOW NYLON LOCK	2



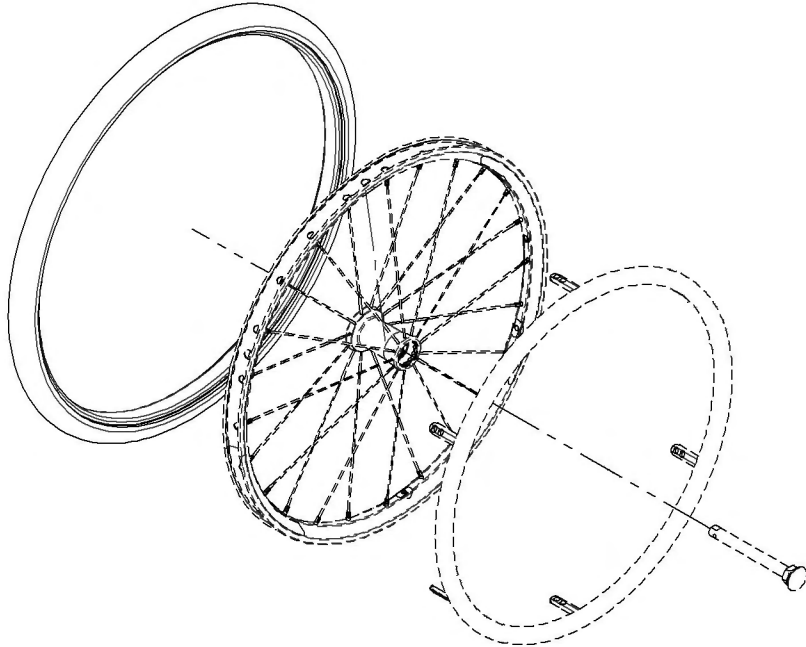


**9001625**  
**Tie Down - Rear, For Unoccupied Transit**

ITEM NO.	PARTNO	DESCRIPTION	9001625 /QTY.
1	22004	FRONT TIE DOWN	1



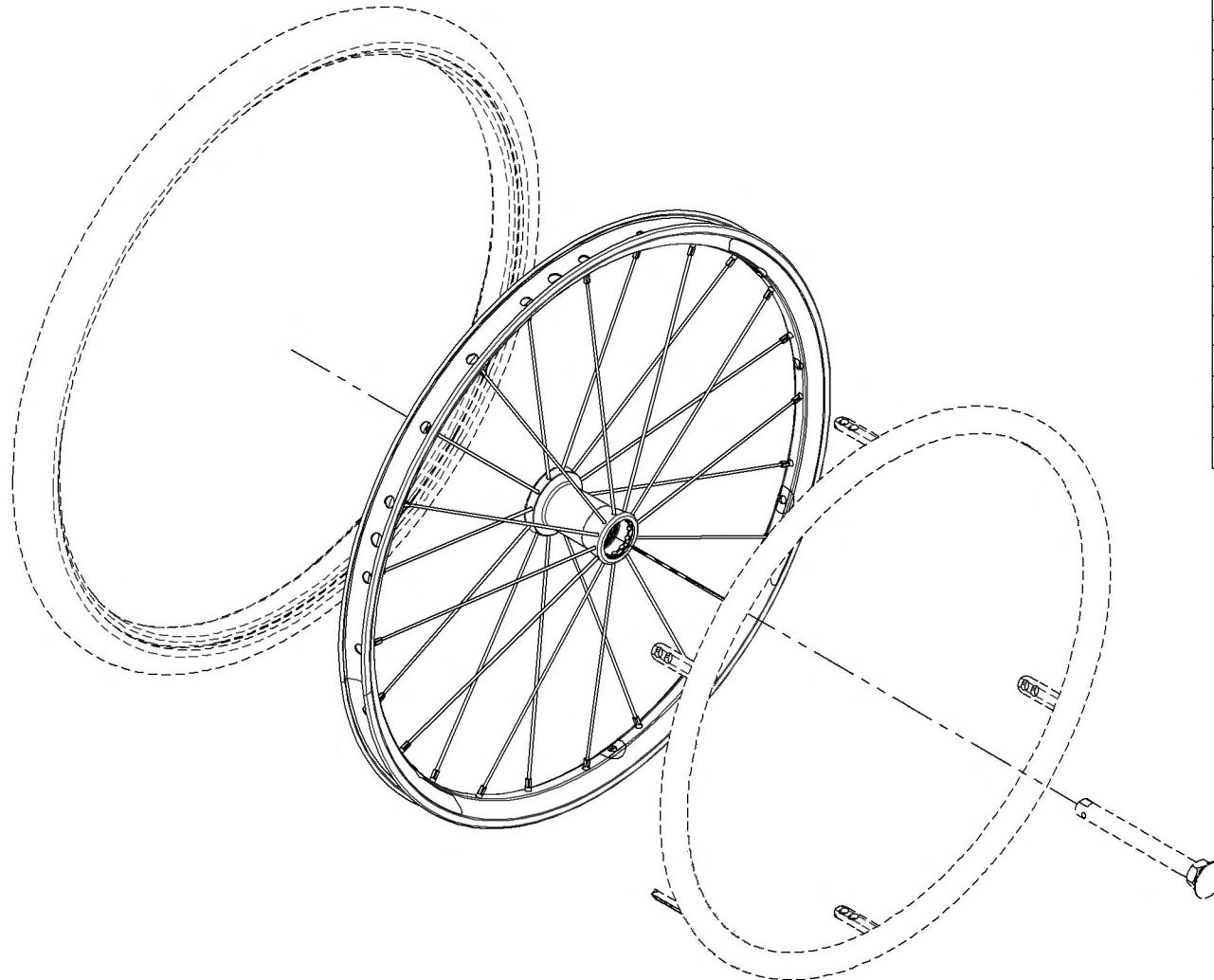
## Rear Wheel Catalogue Tires



ITEM NO.	PARTNO	DESCRIPTION	QTY.	ITEM NO.	PARTNO	DESCRIPTION	QTY.
1	9001507	Tire - Soft Urethane, 1 3/8 x 20 in	1	14	9001520	Tire - Schwalbe Right Run HP, 1 x 25 in	1
2	9001508	Tire - Soft Urethane, 1 3/8 x 22 in	1		21308	IRONCAP/RIGHTRUN 1" HP TIRE 25"	1
3	9001509	Tire - Soft Urethane, 1 3/8 x 24 in	1		21253	25"x1" TUBE	1
4	9001510	Tire - Pneumatic, Standard Pressure, 1 3/8 x 20 in	1		21067	RIM TAPE 25"	1
	21255	20" x1 1/4" TUBE	1	15	9001521	Tire - Schwalbe Right Run HP, 1 x 26 in	1
	21065	RIM TAPE 20-22"	1		21309	IRONCAP/RIGHTRUN 1" HP TIRE 26"	1
	21315	20"x1 1/4" PNEUMATIC TIRE	1		21254	26"x1" TUBE	1
5	9001511	Tire - Pneumatic, Standard Pressure, 1 3/8 x 22 in	1		21068	RIM TAPE 26"	1
	21256	22" x1 1/4" TUBE	1	16	9001522	Tire - Kenda Kourier HP, 1 3/8 x 24 in	1
	21065	RIM TAPE 20-22"	1		21322	24"x1 1/2" KOURIER TIRE	1
	21316	22"x1 1/4" PNEUMATIC TIRE	1		21257	24" x1 1/2" TUBE	1
6	9001512	Tire - Pneumatic, Standard Pressure, 1 3/8 x 24 in	1		21066	RIM TAPE 24"	1
	21257	24" x1 1/4" TUBE	1	17	9001523	Tire - Kenda Kourier HP, 1 3/8 x 26 in	1
	21066	RIM TAPE 24"	1		21324	26"x1 1/2" KOURIER TIRE	1
	21317	24"x1 1/4" PNEUMATIC TIRE	1		21259	26" x1 1/4" TUBE	1
7	9001513	Tire - Pneumatic, Standard Pressure, 1 3/8 x 25 in	1		21068	RIM TAPE 26"	1
	21318	25"x1 1/4" PNEUMATIC TIRE	1	18	9001524	Tire - Soft Urethane HP, 1 x 22 in	1
	21253	25"x1" TUBE	1	19	9001525	Tire - Soft Urethane HP, 1 x 24 in	1
	21067	RIM TAPE 25"	1	20	9001526	Tire - Soft Urethane HP, 1 x 25 in	1
8	9001514	Tire - Pneumatic, Standard Pressure, 1 3/8 x 26 in	1	21	9001527	Tire - Soft Urethane HP, 1 x 26 in	1
	21319	26"x1 1/4" PNEUMATIC TIRE	1	22	9001528	Tire - Schwalbe Marathon Plus, 1 x 24 in	1
	21259	26" x1 1/4" TUBE	1		21312	24"x1" HP TIRE MARATHON PLUS	1
	21068	RIM TAPE 26"	1		21252	24"x1" TUBE	1
9	9001515	Tire - Pyramid, 1 x 22 in	1		21066	RIM TAPE 24"	1
10	9001516	Tire - Pyramid, 1 x 24 in	1	23	9001529	Tire - Schwalbe Marathon Plus, 1 x 25 in	1
11	9001517	Tire - Schwalbe Right Run HP, 1 x 20 in	1		21313	25"x1" HP TIRE MARATHON PLUS	1
	21250	20"x1" TUBE	1		21253	25"x1" TUBE	1
	21065	RIM TAPE 20-22"	1		21067	RIM TAPE 25"	1
	21305	IRONCAP/RIGHTRUN 1" HP TIRE 20"	1	24	9001530	Tire - Schwalbe Marathon Plus, 1 x 26 in	1
12	9001518	Tire - Schwalbe Right Run HP, 1 x 22 in	1		31314	26"x1" HP TIRE MARATHON PLUS	1
	21251	22"x1" TUBE	1		21254	26"x1" TUBE	1
	21065	RIM TAPE 20-22"	1		21068	RIM TAPE 26"	1
	21306	IRONCAP/RIGHTRUN 1" HP TIRE 22"	1	25	9002235	Tire - Soft Urethane, Knobby, 1 3/8 x 24 in	1
13	9001519	Tire - Schwalbe Right Run HP, 1 x 24 in	1				
	21307	IRONCAP/RIGHTRUN 1" HP TIRE 24"	1				
	21252	24"x1" TUBE	1				
	21066	RIM TAPE 24"	1				

MAKE SURE TO HAVE YOUR SERIAL NUMBER  
NEARBY WHEN ORDERING PARTS FOR YOUR  
MOTION COMPOSITES WHEELCHAIR

**Rear Wheel Catalogue**  
**Rear Wheels**

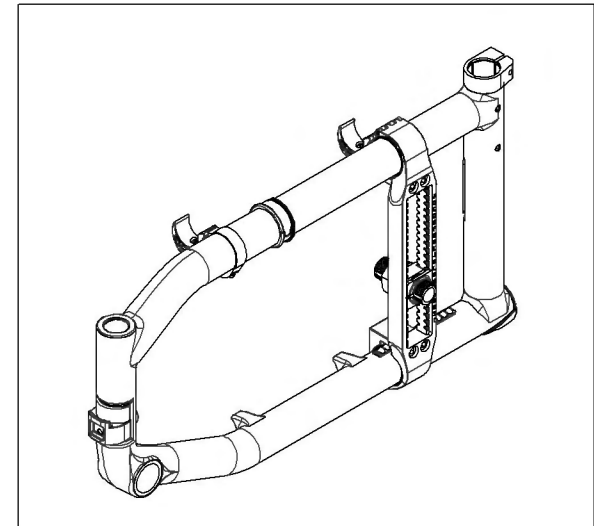
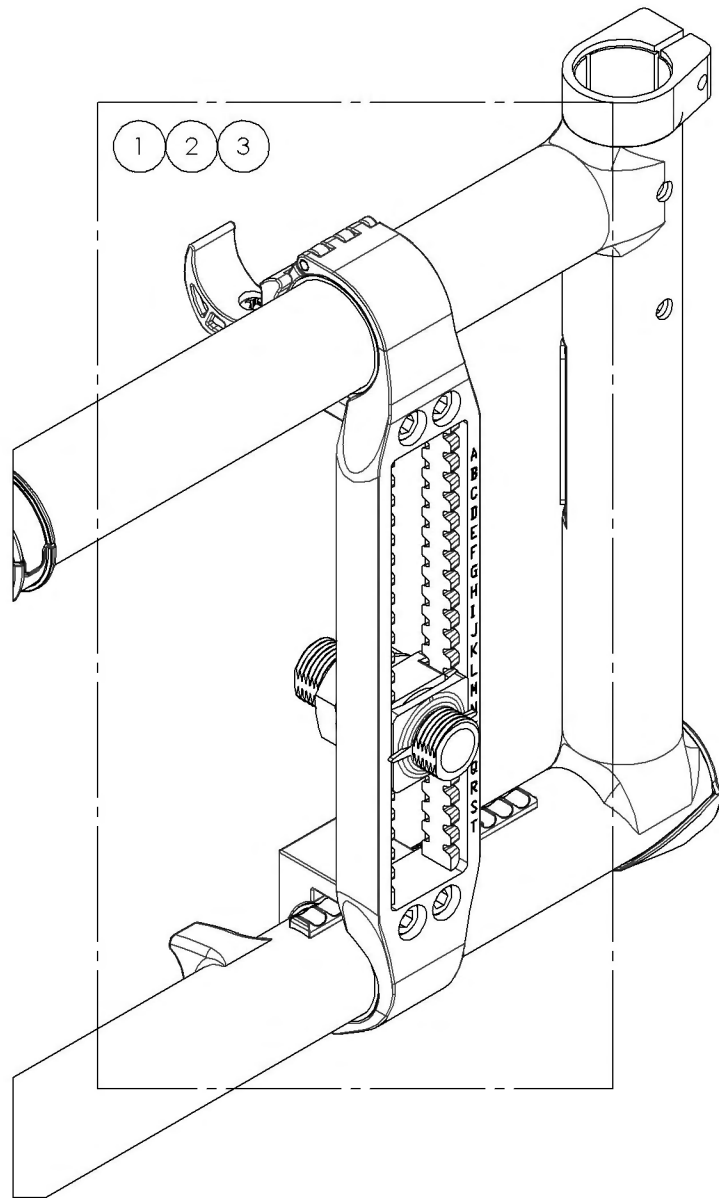


ITEM NO.	PARTNO	DESCRIPTION	QTY.
1	9001483	Rear Wheel - Mag, 20 in	1
2	9001484	Rear Wheel - Mag, 22 in	1
3	9001485	Rear Wheel - Mag, 24 in	1
4	9001486	Rear Wheel - Newton One, 22 in	1
5	9001487	Rear Wheel - Newton One, 24 in	1
6	9001488	Rear Wheel - Newton Gravity, 20 in	1
7	9001489	Rear Wheel - Newton Gravity, 22 in	1
8	9001490	Rear Wheel - Newton Gravity, 24 in	1
9	9001491	Rear Wheel - Newton Gravity, 25 in	1
10	9001492	Rear Wheel - Newton Gravity, 26 in	1
11	9001494	Rear Wheel - Spinerger Spox, 22 in	1
12	9001495	Rear Wheel - Spinerger Spox, 24 in	1
13	9001496	Rear Wheel - Spinerger Spox, 25 in	1
14	9001497	Rear Wheel - Spinerger Spox, 26 in	1
15	9001498	Rear Wheel - Spinerger LX, 22 in	1
16	9001499	Rear Wheel - Spinerger LX, 24 in	1
17	9001500	Rear Wheel - Spinerger LX, 25 in	1
18	9001501	Rear Wheel - Spinerger LX, 26 in	1
19	9001503	Rear Wheel - Spinerger LX, 22 in (Specify Color)	1
20	9001504	Rear Wheel - Spinerger LX, 24 in (Specify Color)	1
21	9001505	Rear Wheel - Spinerger LX, 25 in (Specify Color)	1
22	9001506	Rear Wheel - Spinerger LX, 26 in (Specify Color)	1

MAKE SURE TO HAVE YOUR SERIAL NUMBER  
 NEARBY WHEN ORDERING PARTS FOR YOUR  
 MOTION COMPOSITES WHEELCHAIR

**Rear Wheel Catalogue**  
**Multi-Position Rear Wheel Mounting Plates**

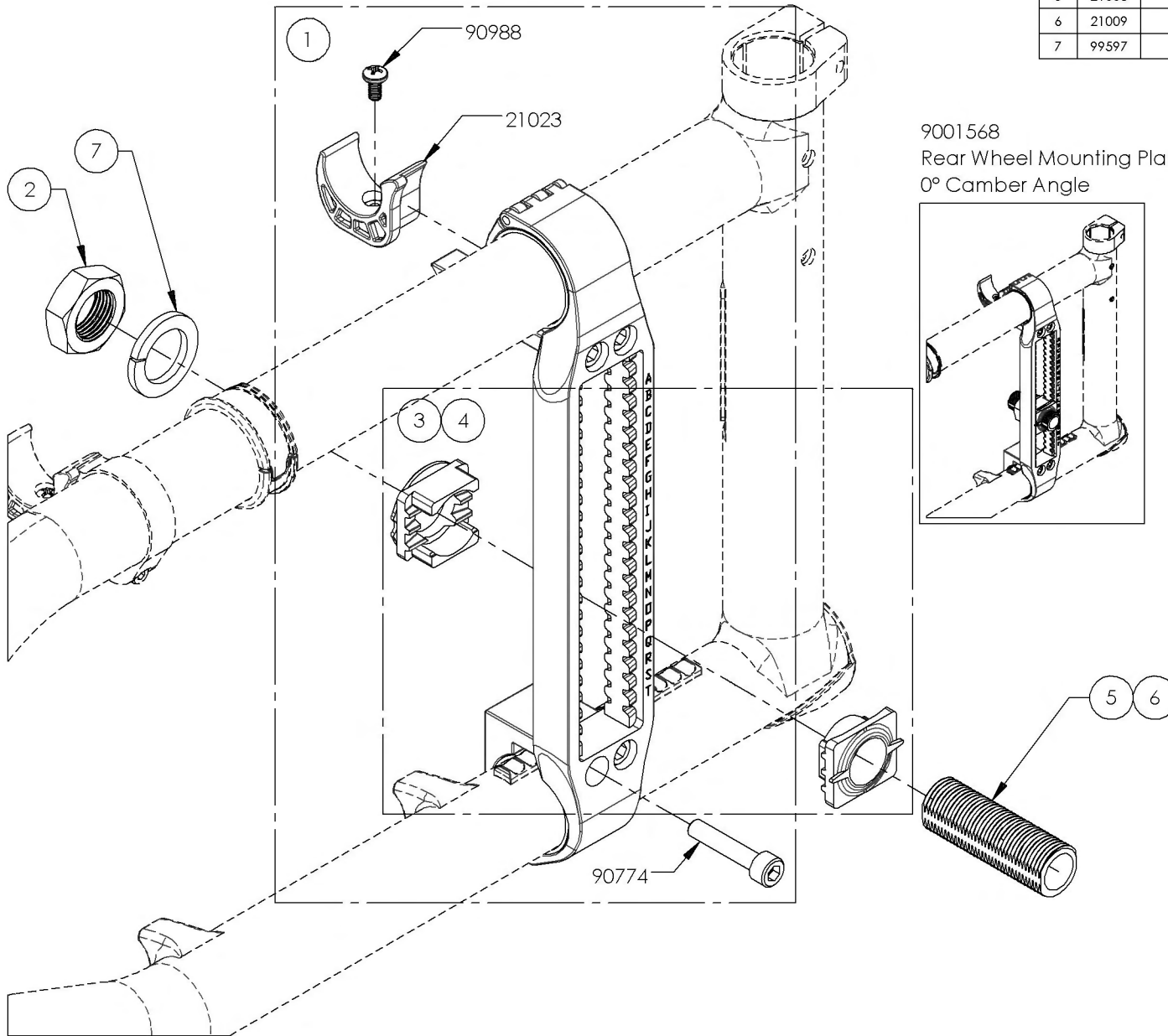
ITEM NO.	PARTNO	DESCRIPTION	QTY.
1	9001568	Rear Wheel Mounting Plate - 0° Camber Angle	1
2	9001569	Rear Wheel Mounting Plate - 3° Camber Angle	1
3	9001570	Rear Wheel Mounting Plate - 6° Camber Angle	1



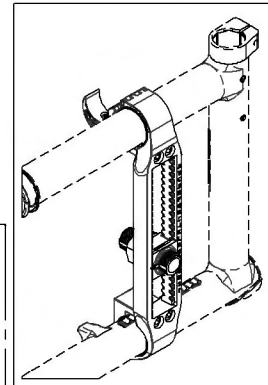
MAKE SURE TO HAVE YOUR SERIAL NUMBER  
 NEARBY WHEN ORDERING PARTS FOR YOUR  
 MOTION COMPOSITES WHEELCHAIR

**9001568\_9001570**  
**Rear Wheel Mounting Plate**

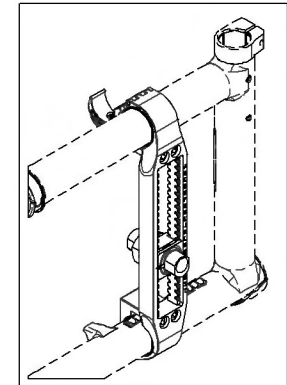
ITEM NO.	PARTNO	DESCRIPTION	9001568 /QTY.	9001569 /QTY.	9001570 /QTY.
1	21506	COMPLETE MOUNTING ASSEMBLED	1	1	1
2	99536	NUT M18X1.5	1	1	1
3	21508	ASSY 0 DEG PLATES	1	1	-
4	21507	ASSY 3DEG PLATES	-	-	1
5	21008	0° BUSHING M18x1.5	1	-	-
6	21009	3° BUSHING M18x1.5	-	1	1
7	99597	LOCK WASHER M18 X 1.5	1	1	1



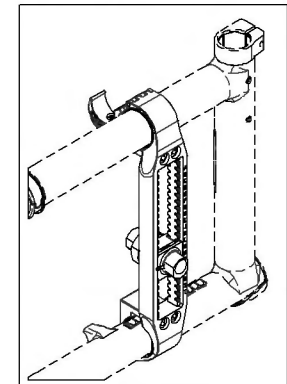
9001568  
 Rear Wheel Mounting Plate -  
 0° Camber Angle



9001569  
 Rear Wheel Mounting Plate -  
 3° Camber Angle

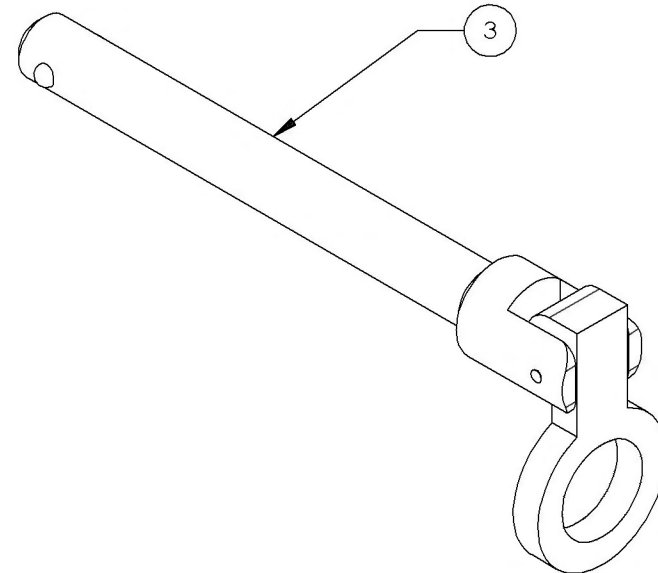
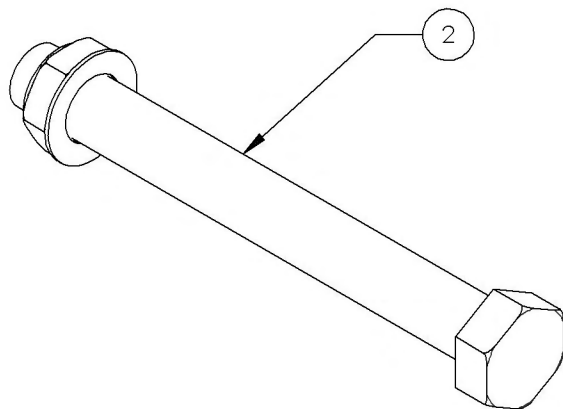
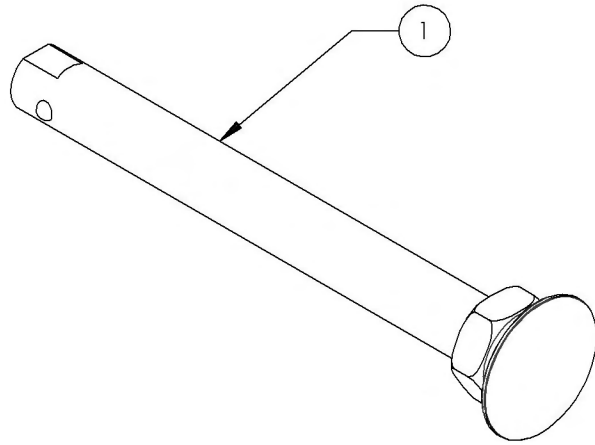


9001570  
 Rear Wheel Mounting Plate -  
 6° Camber Angle



**Rear Wheel Catalogue**  
**Quick Release & Permanent Axles**

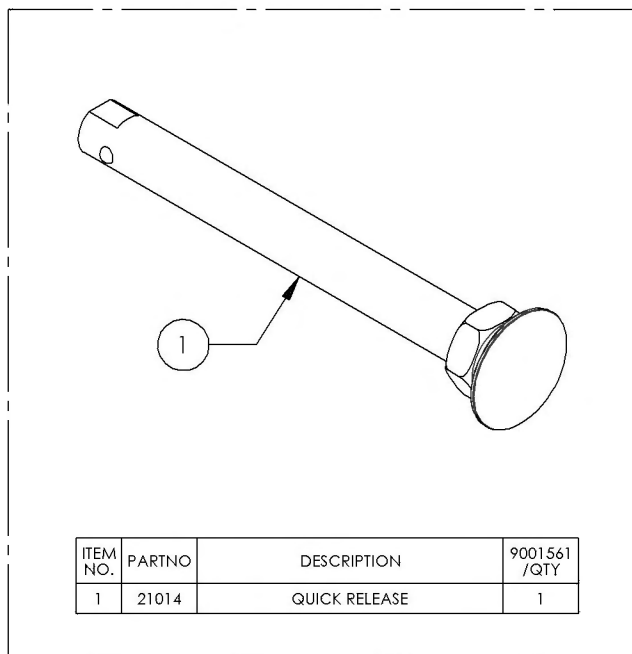
ITEM NO.	PARTNO	DESCRIPTION	QTY.
1	9001561	QUICK RELEASE AXLE	1
2	9001562	PERMANENT AXLE	1
3	9001563	QUAD RELEASE AXLE	1



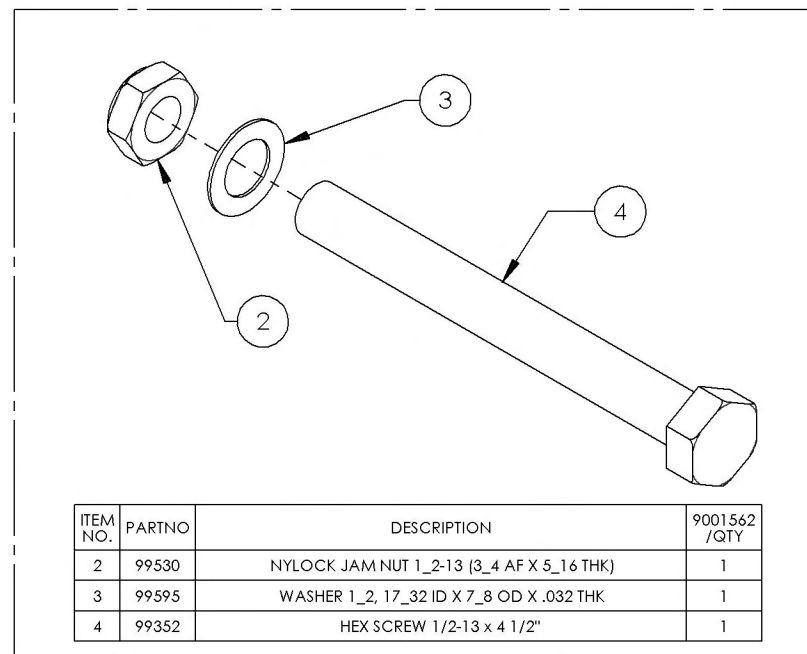
MAKE SURE TO HAVE YOUR SERIAL NUMBER  
NEARBY WHEN ORDERING PARTS FOR YOUR  
MOTION COMPOSITES WHEELCHAIR

**9001561\_9001563**  
**Wheel Axle**

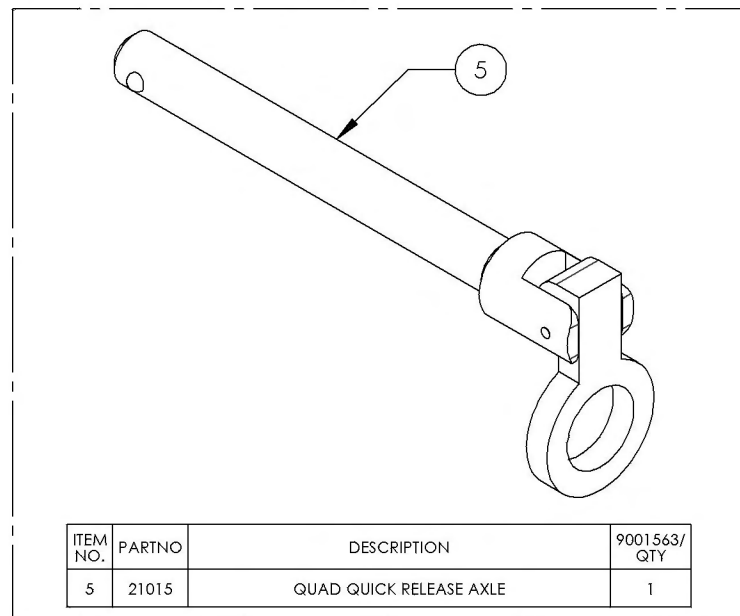
9001561 - Wheel Axle - Quick Release



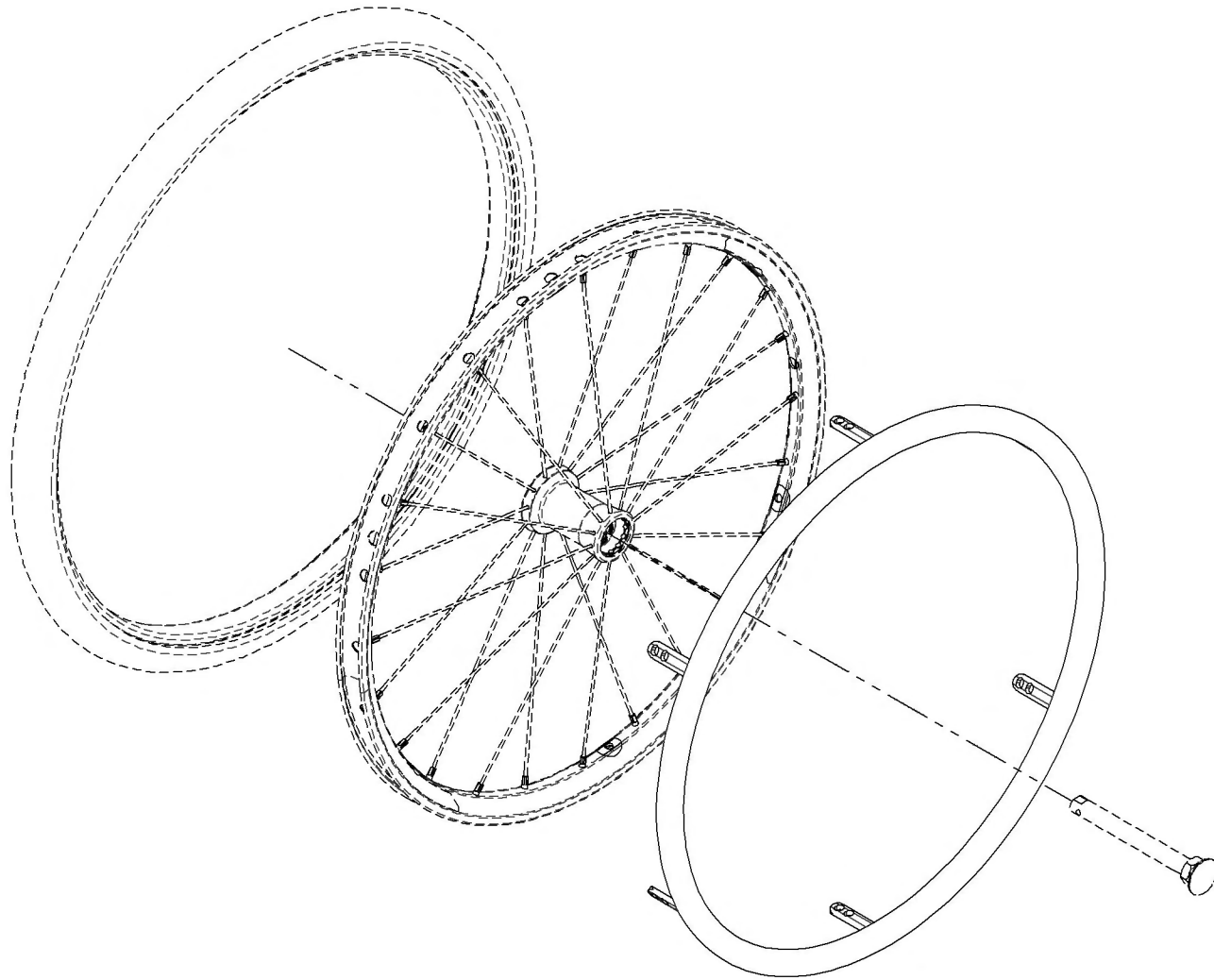
9001562 - Wheel Axle - Permanent



9001563 - Wheel Axle - Quad Release



**Rear Wheel Catalogue  
Handrims**



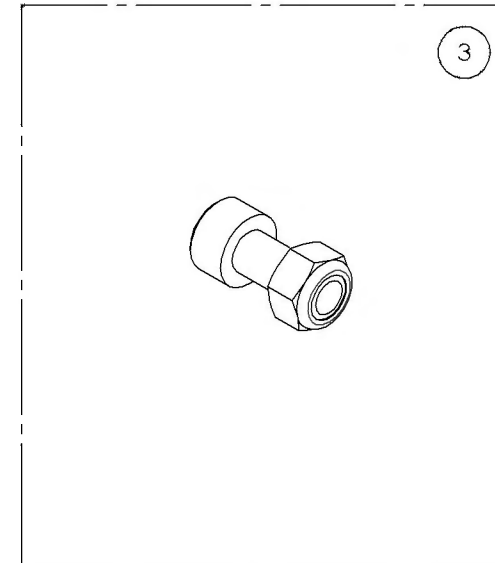
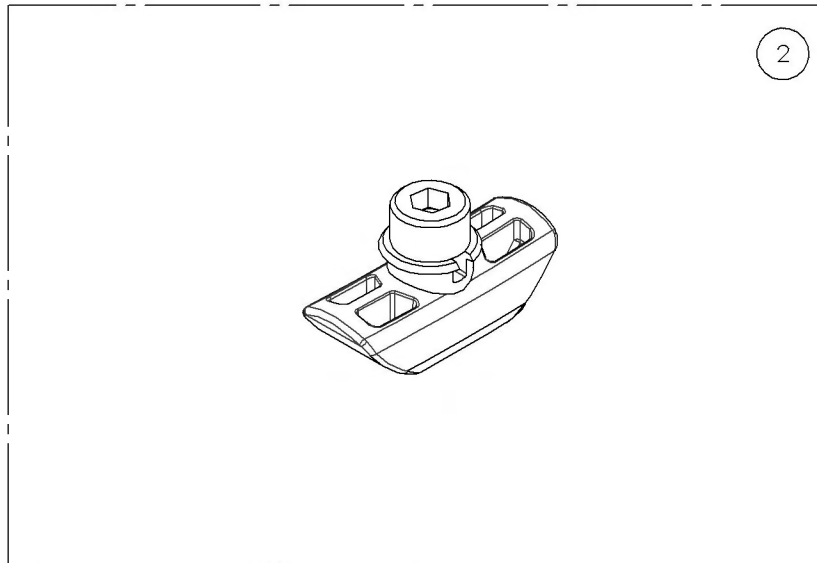
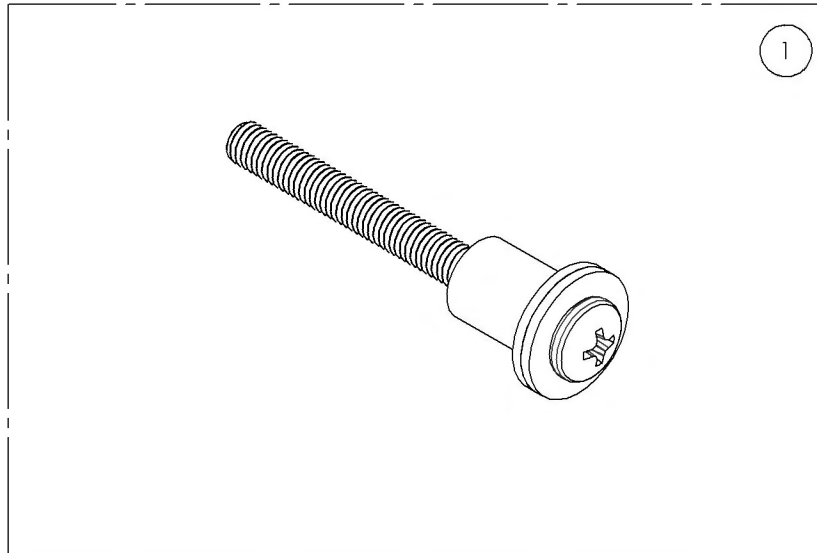
ITEM NO.	PARTNO	DESCRIPTION	QTY.
1	9001531	Handrim For Mag - Anodized Aluminum, 20 in	1
2	9001532	Handrim For Mag - Anodized Aluminum, 22 in	1
3	9001533	Handrim For Mag - Anodized Aluminum, 24 in	1
4	9001534	Handrim For Mag - Plastic Coated, 20 in	1
5	9001535	Handrim For Mag - Plastic Coated, 22 in	1
6	9001536	Handrim For Mag - Plastic Coated, 24 in	1
7	9001537	Handrim - Anodized Aluminum, 20 in	1
8	9001538	Handrim - Anodized Aluminum, 22 in	1
9	9001539	Handrim - Anodized Aluminum, 24 in	1
10	9001540	Handrim - Anodized Aluminum, 25 in	1
11	9001541	Handrim - Anodized Aluminum, 26 in	1
12	9001542	Handrim - Plastic Coated, 20 in	1
13	9001543	Handrim - Plastic Coated, 22 in	1
14	9001544	Handrim - Plastic Coated, 24 in	1
15	9001545	Handrim - Plastic Coated, 25 in	1
16	9001546	Handrim - Plastic Coated, 26 in	1
17	9001548	Handrim - High Friction Coated Foam, 22 in	1
18	9001549	Handrim - High Friction Coated Foam, 24 in	1
19	9001550	Handrim - High Friction Coated Foam, 25 in	1
20	9001551	Handrim - High Friction Coated Foam, 26 in	1
21	9001552	Handrim - Natural Fit, Regular Grip, 22 in	1
22	9001553	Handrim - Natural Fit, Regular Grip, 24 in	1
23	9001554	Handrim - Natural Fit, Regular Grip, 26 in	1
24	9001555	Handrim - Surge LT, 22 in	1
25	9001556	Handrim - Surge LT, 24 in	1
26	9002209	Handrim - Surge, Regular Grip, 22 in	1
27	9002210	Handrim - Surge, Regular Grip, 24 in	1
28	9002211	Handrim - Surge, Regular Grip, 25 in	1
29	9002212	Handrim - Surge, Regular Grip, 26 in	1

MAKE SURE TO HAVE YOUR SERIAL NUMBER  
NEARBY WHEN ORDERING PARTS FOR YOUR  
MOTION COMPOSITES WHEELCHAIR



**Rear Wheel Catalogue  
Handrim Hardware**

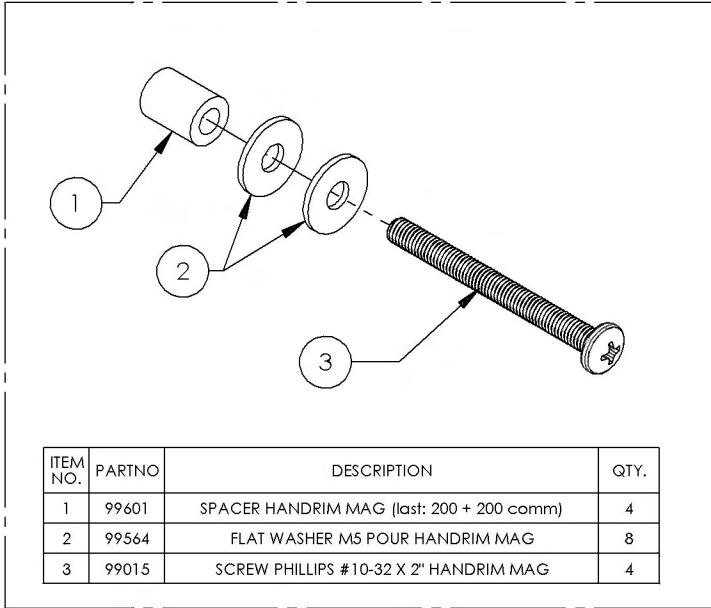
ITEM NO.	PARTNO	DESCRIPTION	QTY.
1	9001558	Handrim - Installation Hardware For Mag	1
2	9001559	Handrim - Installation Hardware For Newton One	1
3	9001560	Handrim - Installation Hardware For Newton Gravity, Spinergy LX, Spinergy SPOX	1



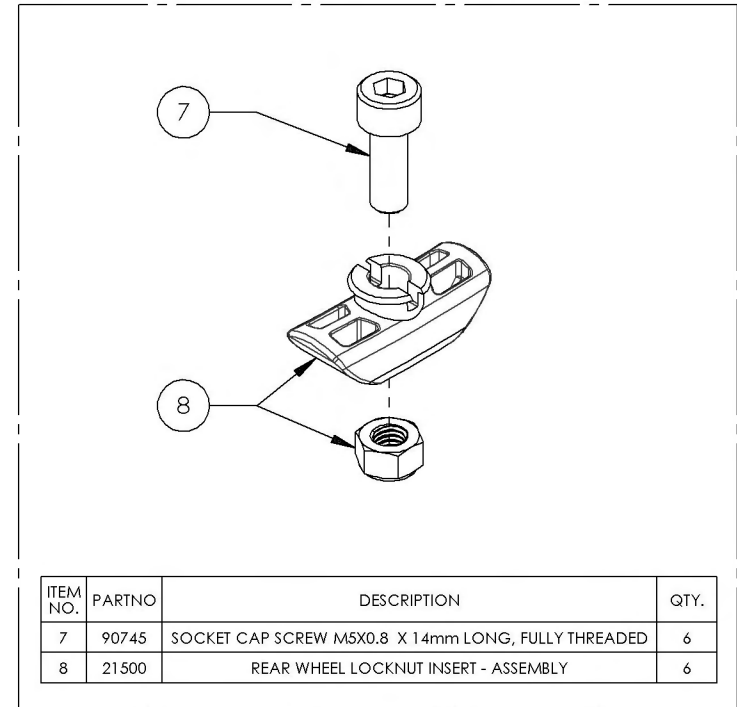
MAKE SURE TO HAVE YOUR SERIAL NUMBER  
NEARBY WHEN ORDERING PARTS FOR YOUR  
MOTION COMPOSITES WHEELCHAIR

**9001558\_9001560**  
**Handrim - Installation Hardware**

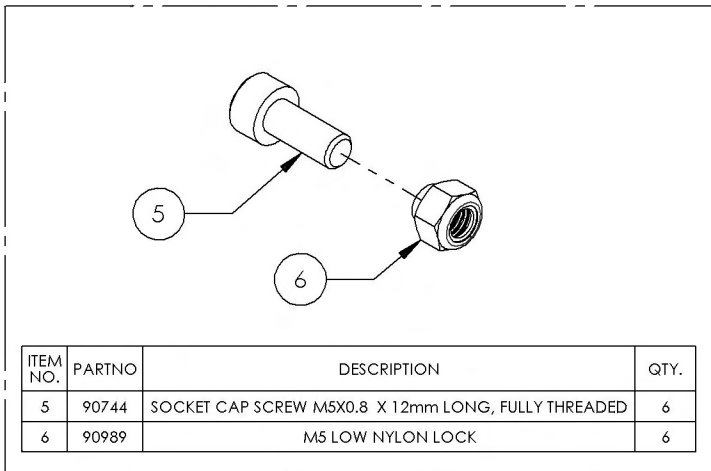
9001558  
 Handrim - Installation Hardware For Mag



9001559  
 Handrim - Installation Hardware For Newton One

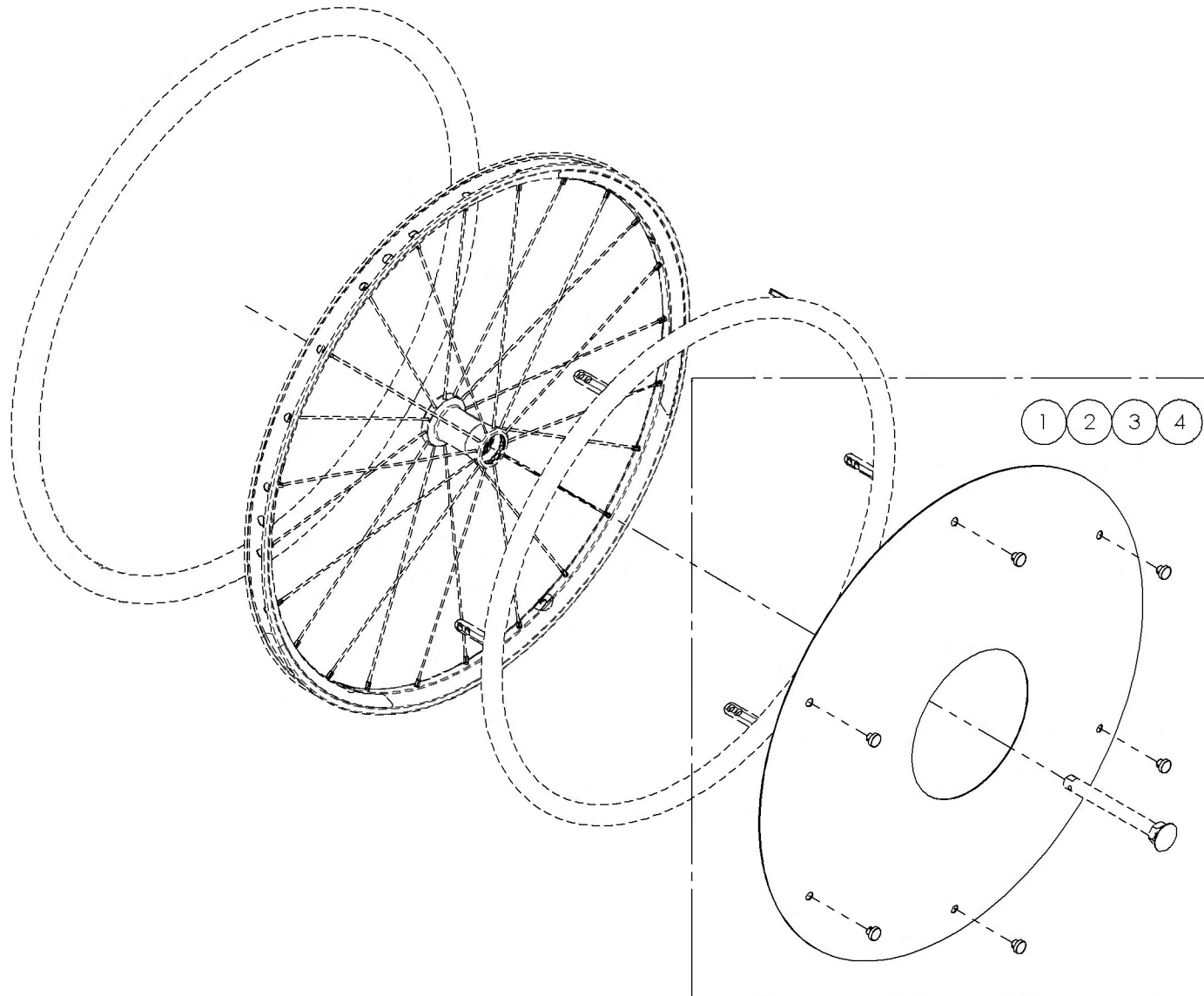


9001560  
 Handrim - Installation Hardware For Newton Gravity,  
 Spinergy LX, Spinergy SPOX



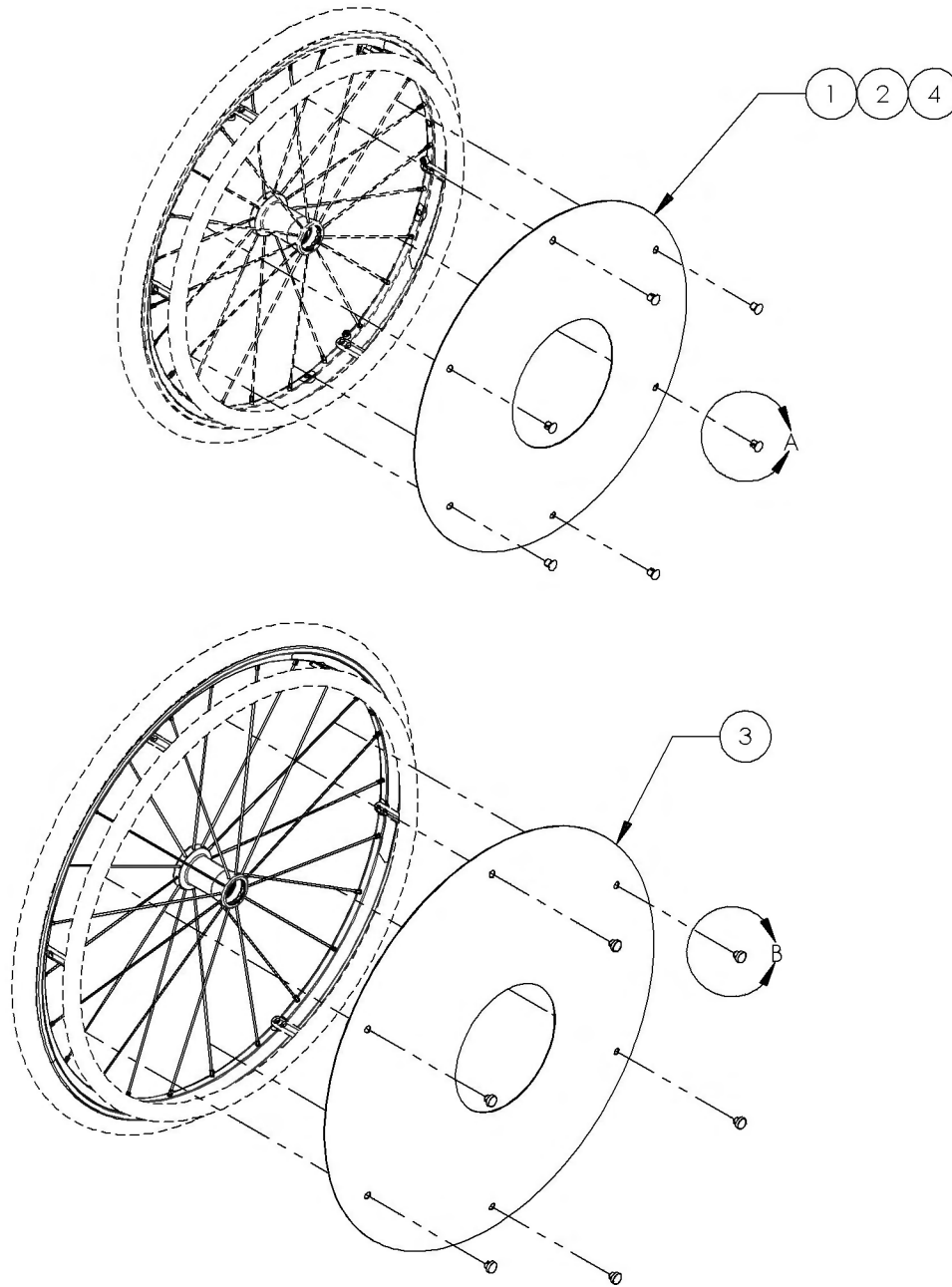
**Rear Wheel Catalogue  
Spoke Guards**

ITEM NO.	PARTNO	DESCRIPTION	QTY.
1	9001629	Spoke Guard - 20 in	1
2	9001630	Spoke Guard - 22 in	1
3	9001631	Spoke Guard - 24 in	1
4	9001632	Spoke Guard - 26 in	1

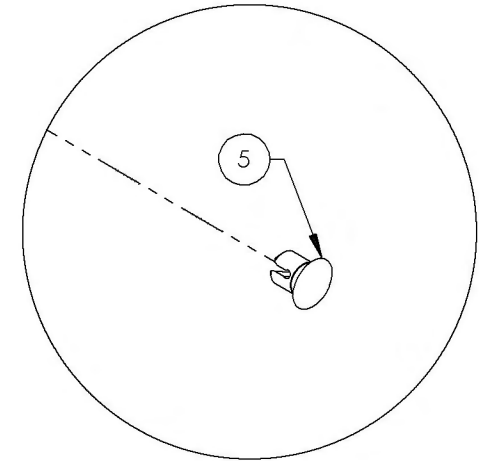


MAKE SURE TO HAVE YOUR SERIAL NUMBER  
NEARBY WHEN ORDERING PARTS FOR YOUR  
MOTION COMPOSITES WHEELCHAIR

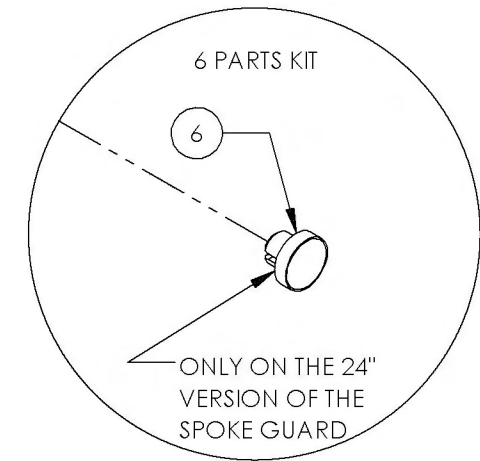
**9001629\_9001632**  
**Spoke Guard**



ITEM NO.	PARTNO	DESCRIPTION	9001629 /QTY.	9001630 /QTY.	9001631 /QTY.	9001632 /QTY.
1	51019	SPOKE GUARD 20"	1	-	-	-
2	51020	SPOKE GUARD 22"	-	1	-	-
3	51021	SPOKE GUARD 24"	-	-	1	-
4	51025	SPOKE GUARD 26"	-	-	-	1
5	51034	SPOKE SHIELD CLIP	6	6	-	6
6	51522	SPOKE SHIELD CLIP - KIT (6 UNIT)	-	-	1	-



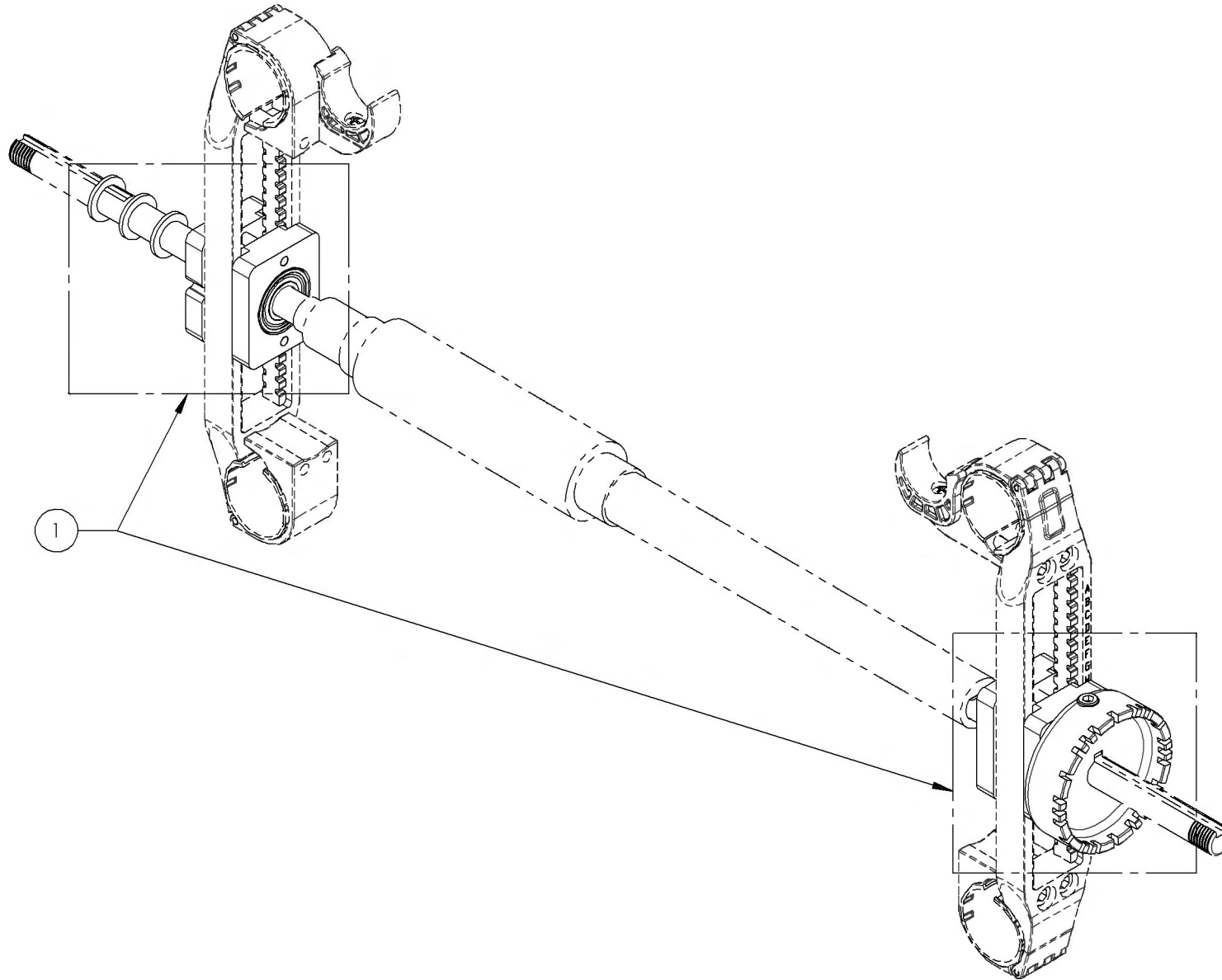
DETAIL A  
SCALE 5 : 8



DETAIL B  
SCALE 5 : 8

**Rear Wheel Catalogue**  
**One Arm Drive**

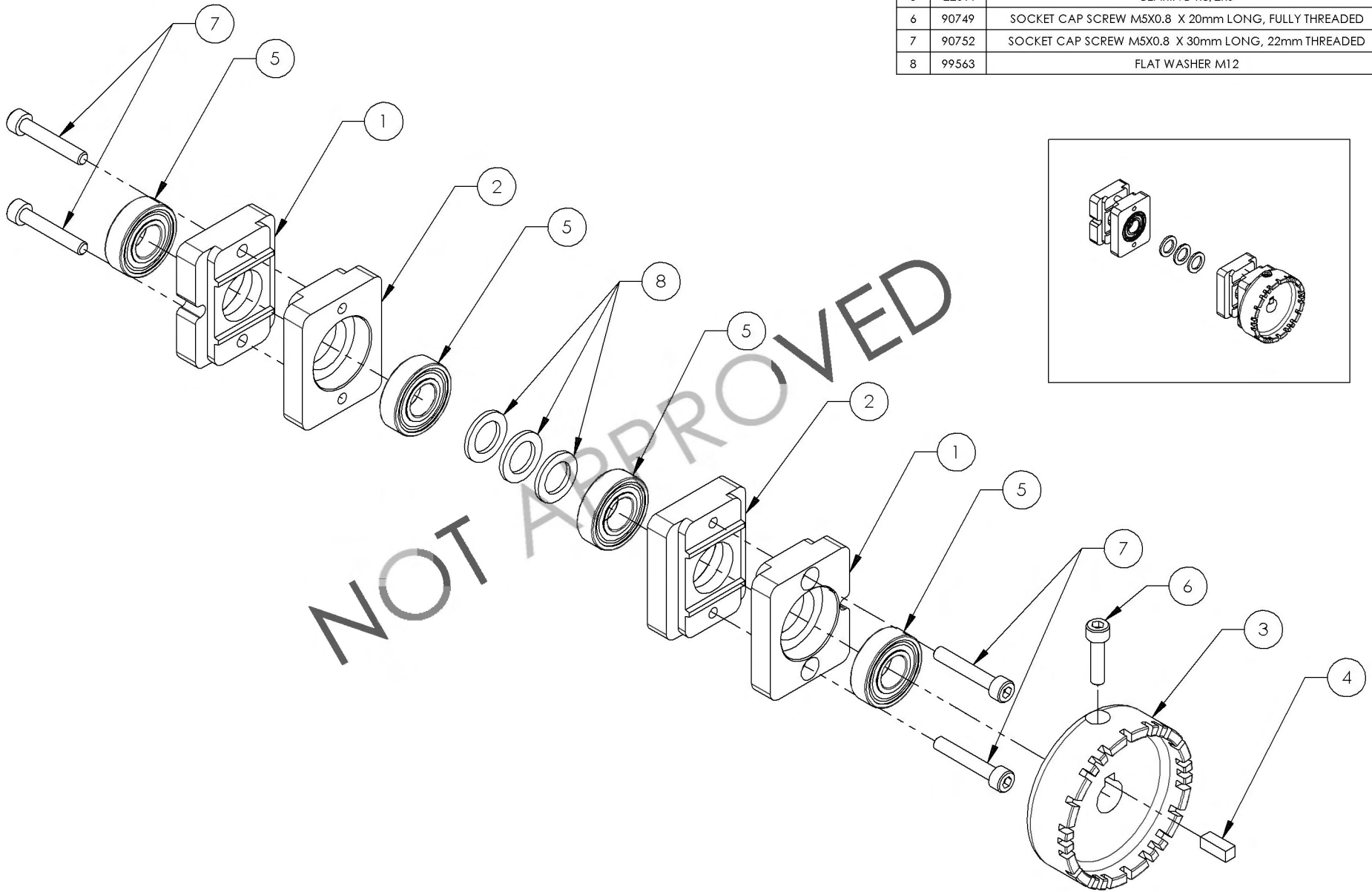
ITEM NO.	PARTNO	DESCRIPTION	QTY.
1	9002262	One Arm Drive - Adaptor Kit	1



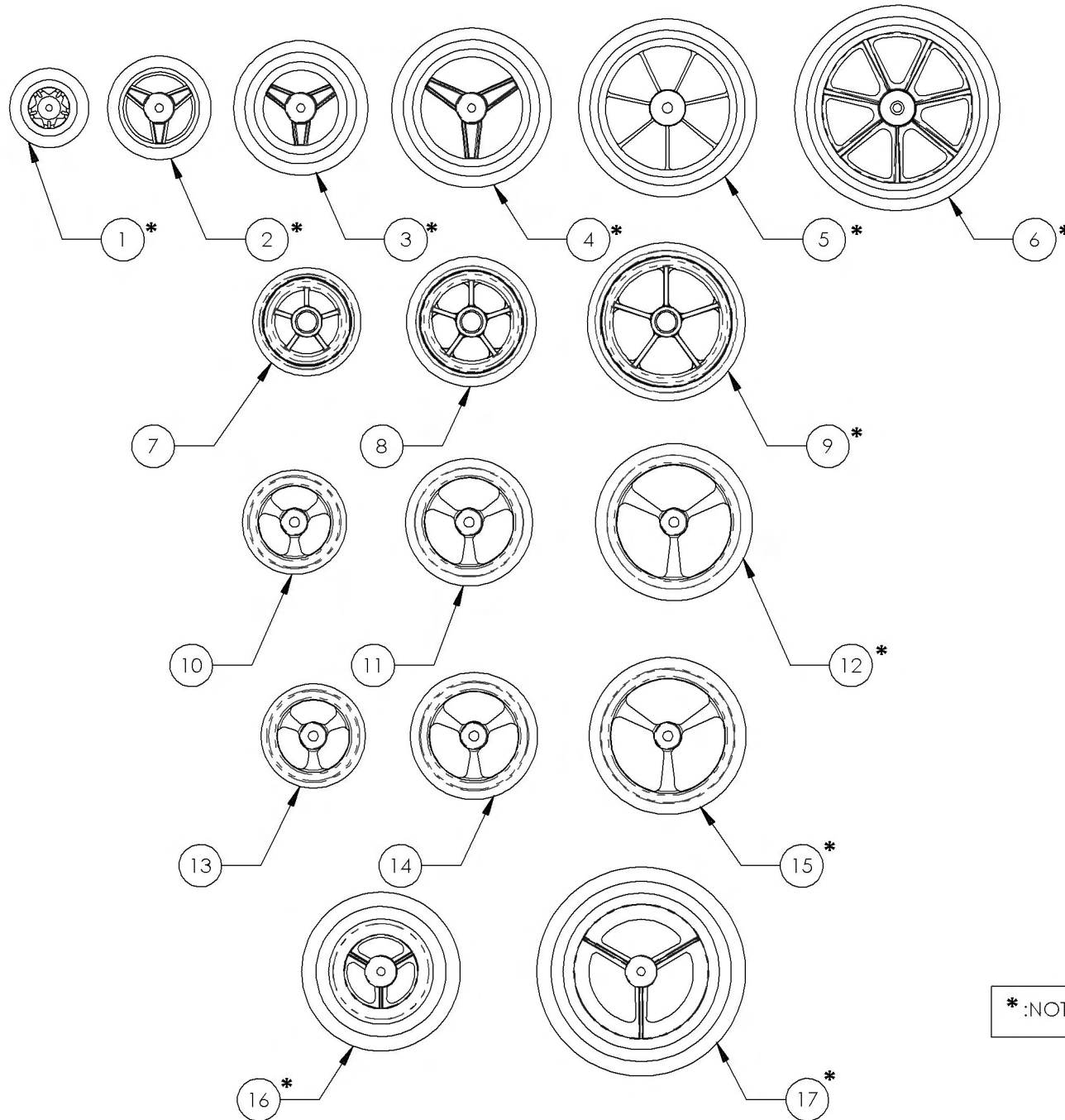
MAKE SURE TO HAVE YOUR SERIAL NUMBER  
NEARBY WHEN ORDERING PARTS FOR YOUR  
MOTION COMPOSITES WHEELCHAIR

**9002262**  
**One Arm Drive - Adaptor Kit**

ITEM NO.	PARTNO	DESCRIPTION	QTY.
1	51244	ONE ARM DRIVE - EXTERIOR BEARING CASING	2
2	51245	ONE ARM DRIVE - INTERIOR BEARING CASING	2
3	51246	ONE ARM DRIVE - INDENTED DISK	1
4	51248	ONE ARM DRIVE - KEY STOCK	1
5	22011	BEARING R8/2RS	4
6	90749	SOCKET CAP SCREW MSX0.8 X 20mm LONG, FULLY THREADED	1
7	90752	SOCKET CAP SCREW M5X0.8 X 30mm LONG, 22mm THREADED	4
8	99563	FLAT WASHER M12	3



**Front Wheel Catalogue**  
**Front Caster Wheels**



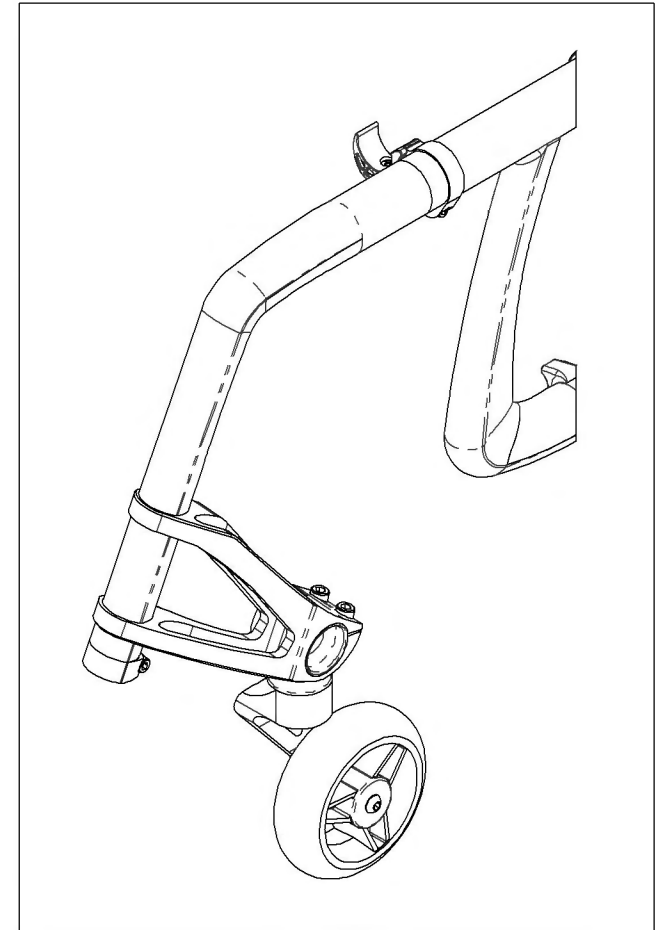
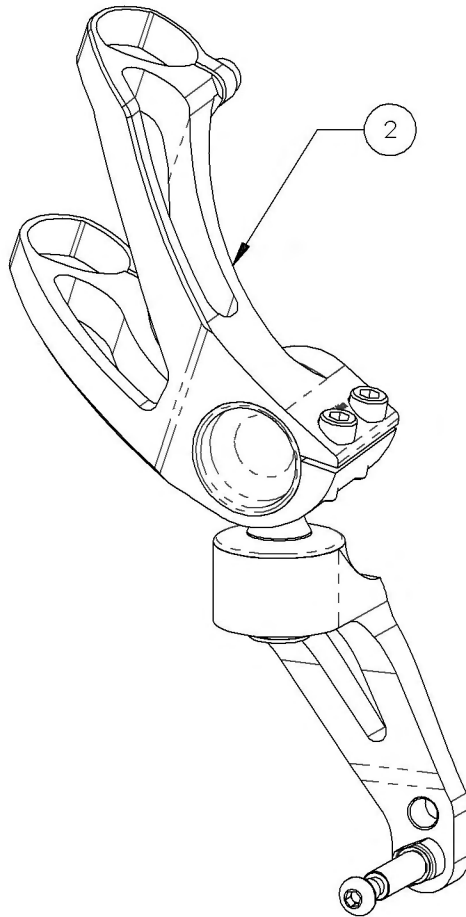
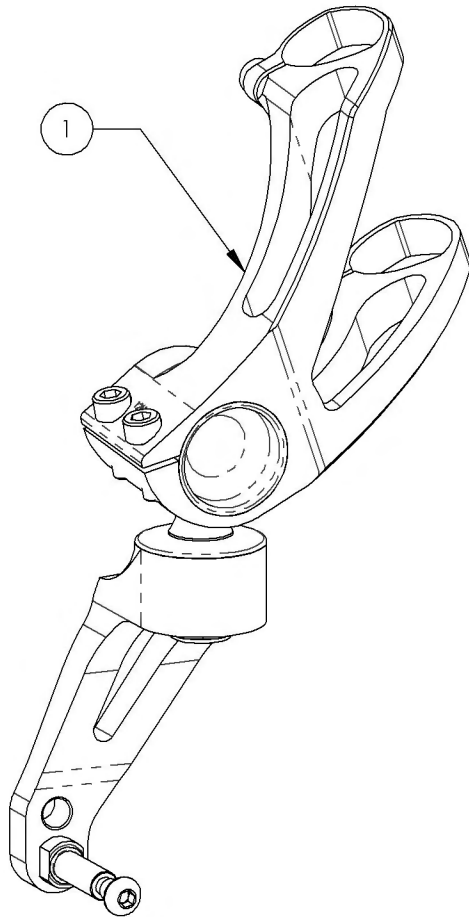
ITEM NO.	PARTNO	DESCRIPTION	QTY.
1	9001457	Caster - Composites, 3x1 in	1
2	9001458	Caster - Composites, 4x1 in	1
3	9001459	Caster - Composites, 5x1 in	1
4	9001460	Caster - Composites, 6x1 in	1
5	9001461	Caster - Composites, 7x1 in	1
6	9001462	Caster - Composites, 8x1 in	1
7	9001463	Caster - Composites Soft-Roll, 4x1½ in	1
8	9001464	Caster - Composites Soft-Roll, 5x1½ in	1
9	9001465	Caster - Composites Soft-Roll, 6x1½ in	1
10	9001466	Caster - Court Wheel Aluminum, 4x1 in	1
11	9001467	Caster - Court Wheel Aluminum, 5x1 in	1
12	9001468	Caster - Court Wheel Aluminum, 6x1 in	1
13	9002213	Caster - Aluminum Soft-Roll, 4x1½ in	1
14	9002214	Caster - Aluminum Soft-Roll, 5x1½ in	1
15	9002215	Caster - Aluminum Soft-Roll, 6x1½ in	1
16	9001469	Caster - Pneumatic, 6x1½ in	1
17	9001470	Caster - Pneumatic, 8x1½ in	1

\* :NOT AVAILABLE ON VELOCE WHEELCHAIRS

MAKE SURE TO HAVE YOUR SERIAL NUMBER  
NEARBY WHEN ORDERING PARTS FOR YOUR  
MOTION COMPOSITES WHEELCHAIR

**Front Wheel Catalogue  
Veloce Caster Housing**

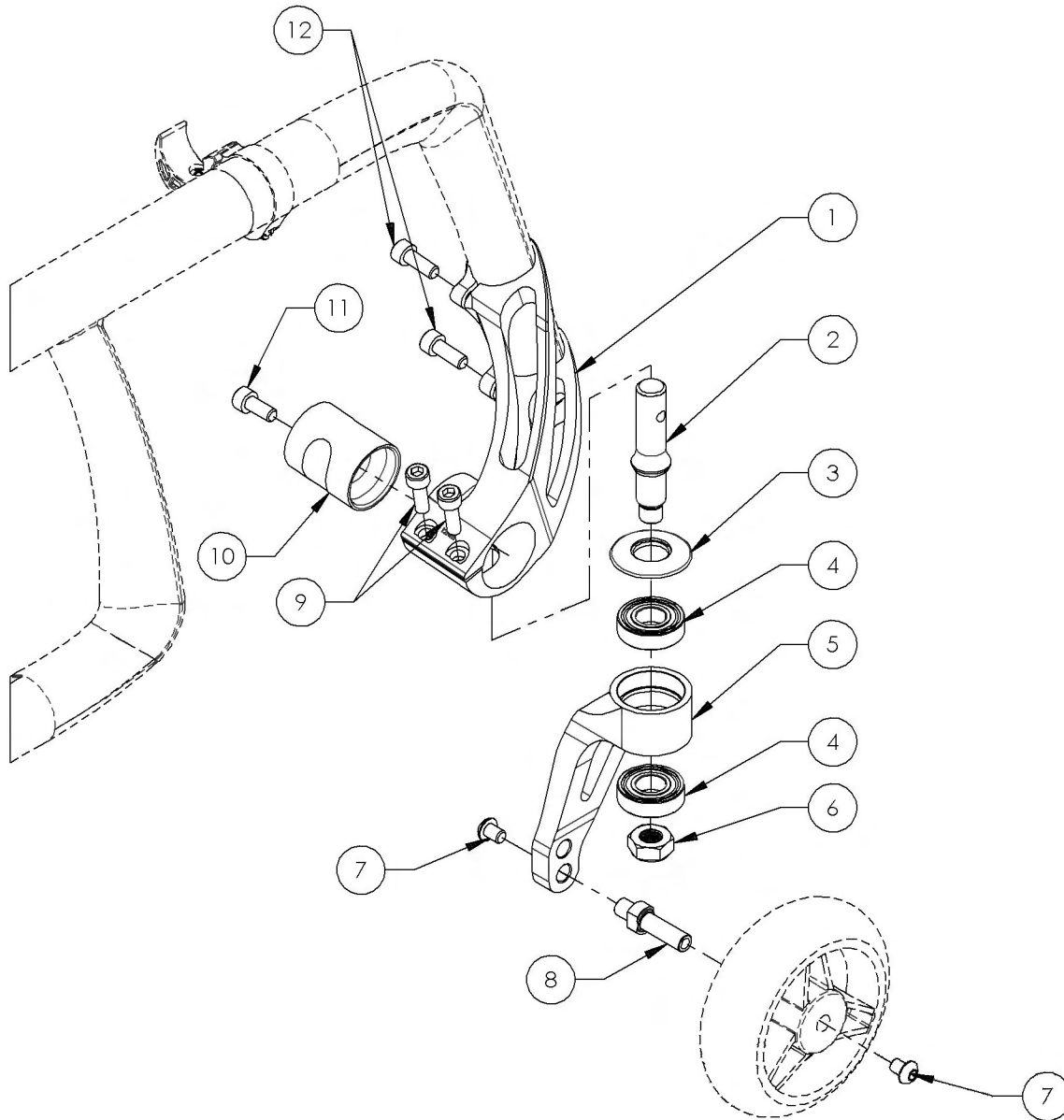
ITEM NO.	PARTNO	DESCRIPTION	QTY.
1	9001153	Front Wheel - Complete Assembly - Right	1
2	9001154	Front Wheel - Complete Assembly - Left	1



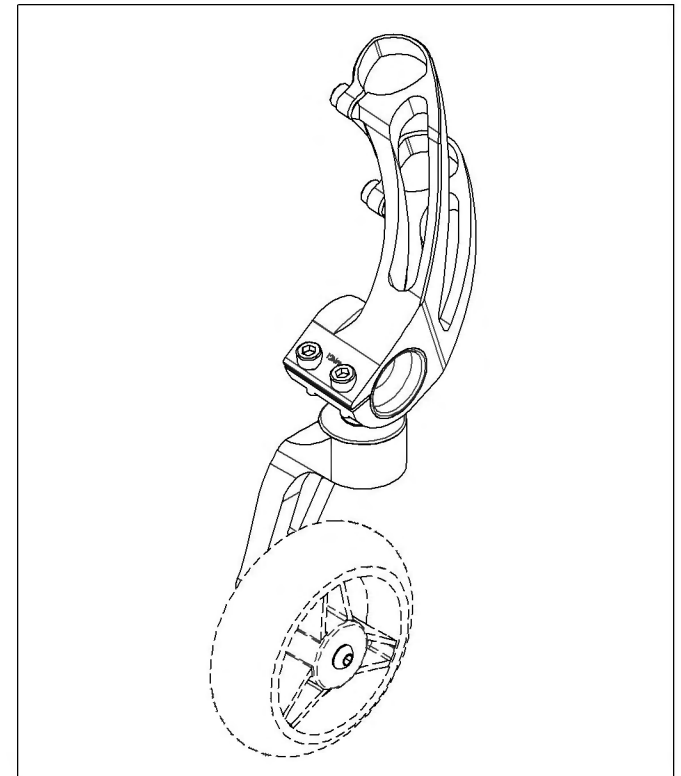
MAKE SURE TO HAVE YOUR SERIAL NUMBER  
NEARBY WHEN ORDERING PARTS FOR YOUR  
MOTION COMPOSITES WHEELCHAIR



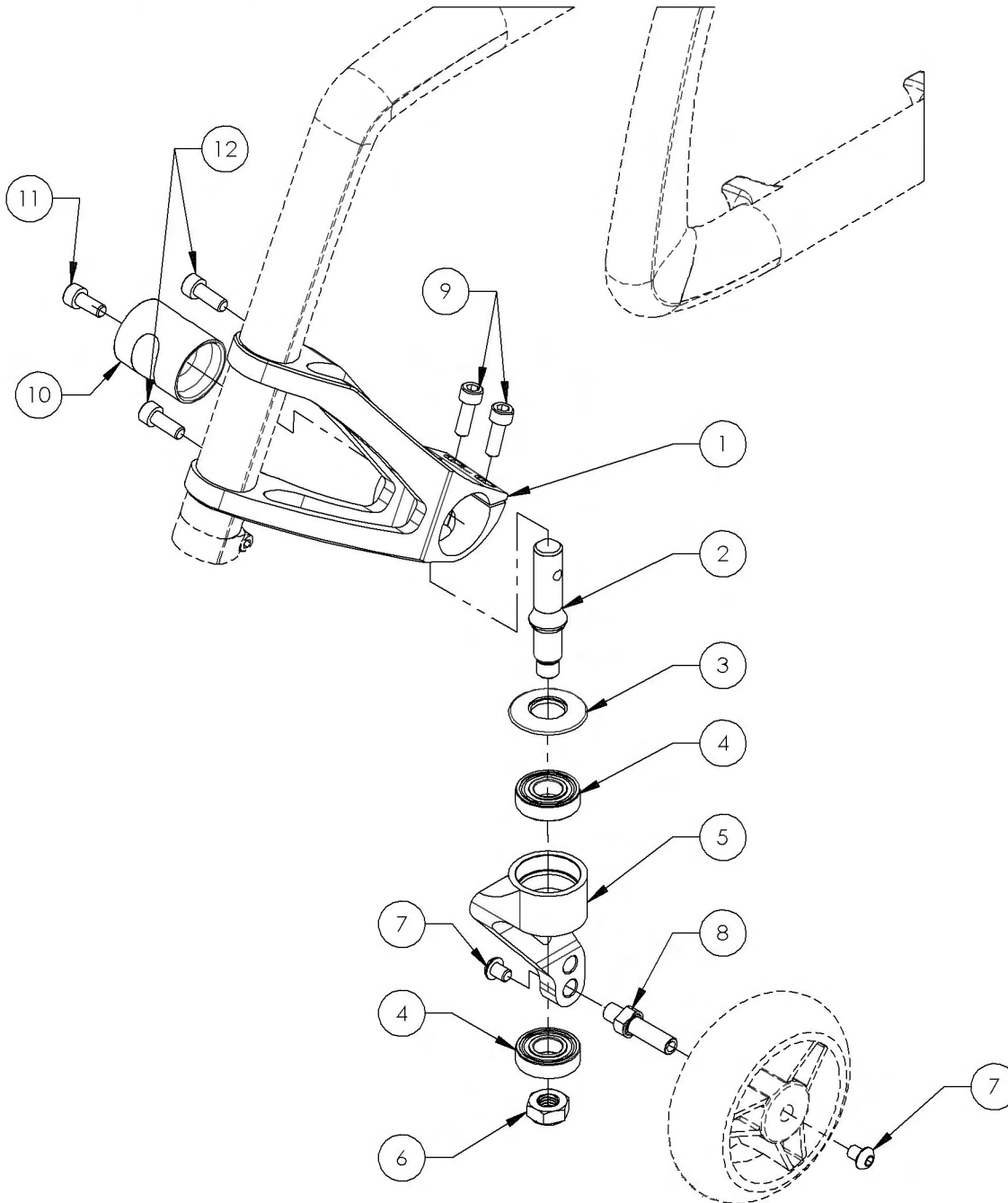
**9001153**  
**Front Wheel - Complete Assembly - Right**



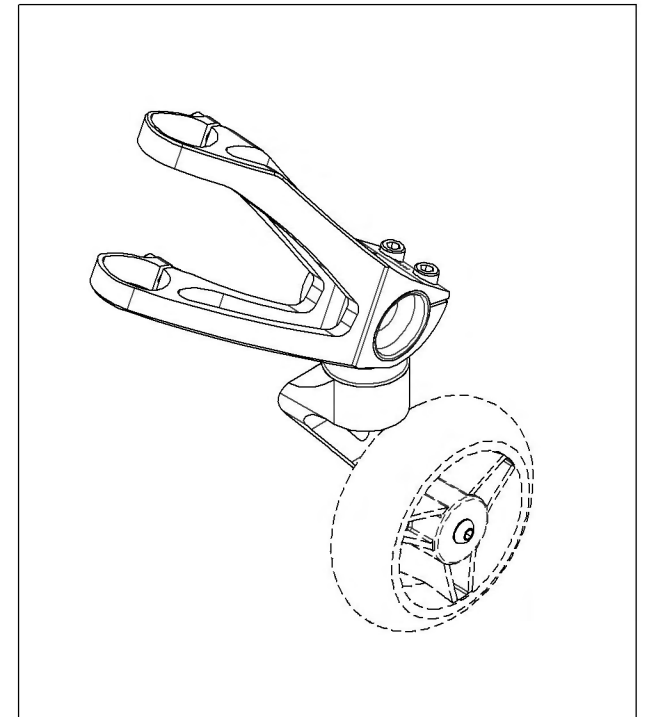
ITEM NO.	PARTNO	DESCRIPTION	9001153 /QTY.
1	22040	VELOCE RIGHT STEM	1
2	22072	MONOARM FORK STEM BOLT	1
3	22074	MONOARM FORK BEARING CAP	1
4	22011	BEARING R8/2RS	2
5	22070	MONOARM FORK RIGHT	1
6	90991	M10 LOW NYLON LOCK	1
7	90655	BUTTON HEAD CAP SCREW M6X1 X 8mm LONG, FULLY THREADED	2
8	22073	MONOARM FORK WHEEL AXLE	1
9	90770	SOCKET CAP SCREW M6X1 X 18mm LONG, FULLY THREADED	2
10	22075	VELOCE ANGLE HOUSING	1
11	90767	SOCKET CAP SCREW M6X1 X 14mm LONG, FULLY THREADED	1
12	90769	SOCKET CAP SCREW M6X1 X 16mm LONG, FULLY THREADED	2



**9001154**  
**Front Wheel - Complete Assembly - Left**

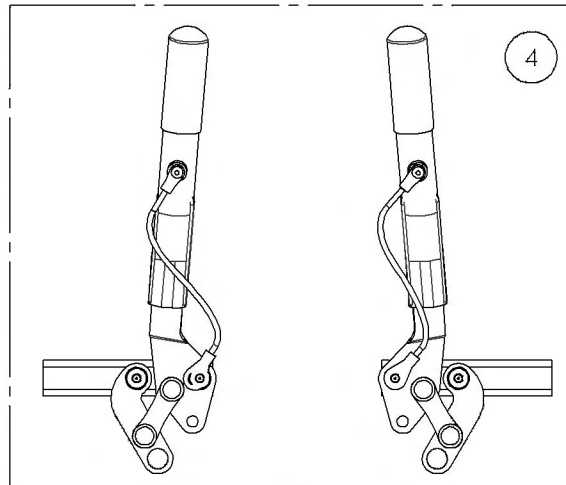
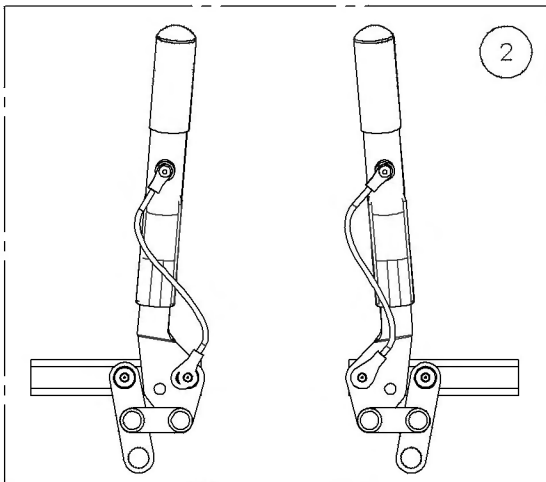
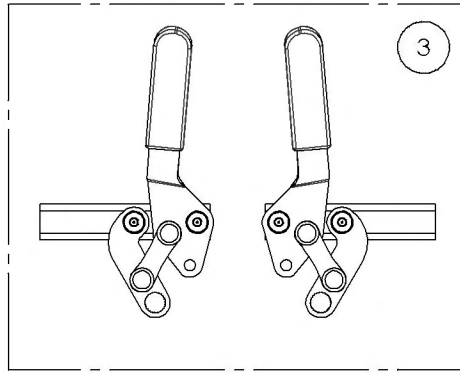
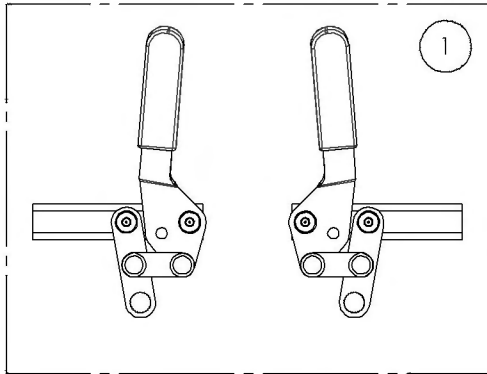


ITEM NO.	PARTNO	DESCRIPTION	9001154 /QTY.
1	22039	VELOCE LEFT STEM	1
2	22072	MONOARM FORK STEM BOLT	1
3	22074	MONOARM FORK BEARING CAP	1
4	22011	BEARING R8/2RS	2
5	22071	MONOARM FORK LEFT	1
6	90991	M10 LOW NYLON LOCK	1
7	90655	BUTTON HEAD CAP SCREW M6X1 X 8mm LONG, FULLY THREADED	2
8	22073	MONOARM FORK WHEEL AXLE	1
9	90770	SOCKET CAP SCREW M6X1 X 18mm LONG, FULLY THREADED	2
10	22075	VELOCE ANGLE HOUSING	1
11	90767	SOCKET CAP SCREW M6X1 X 14mm LONG, FULLY THREADED	1
12	90769	SOCKET CAP SCREW M6X1 X 16mm LONG, FULLY THREADED	2



**Wheel Lock Catalogue**  
**Wheel Lock - Push & Pull**

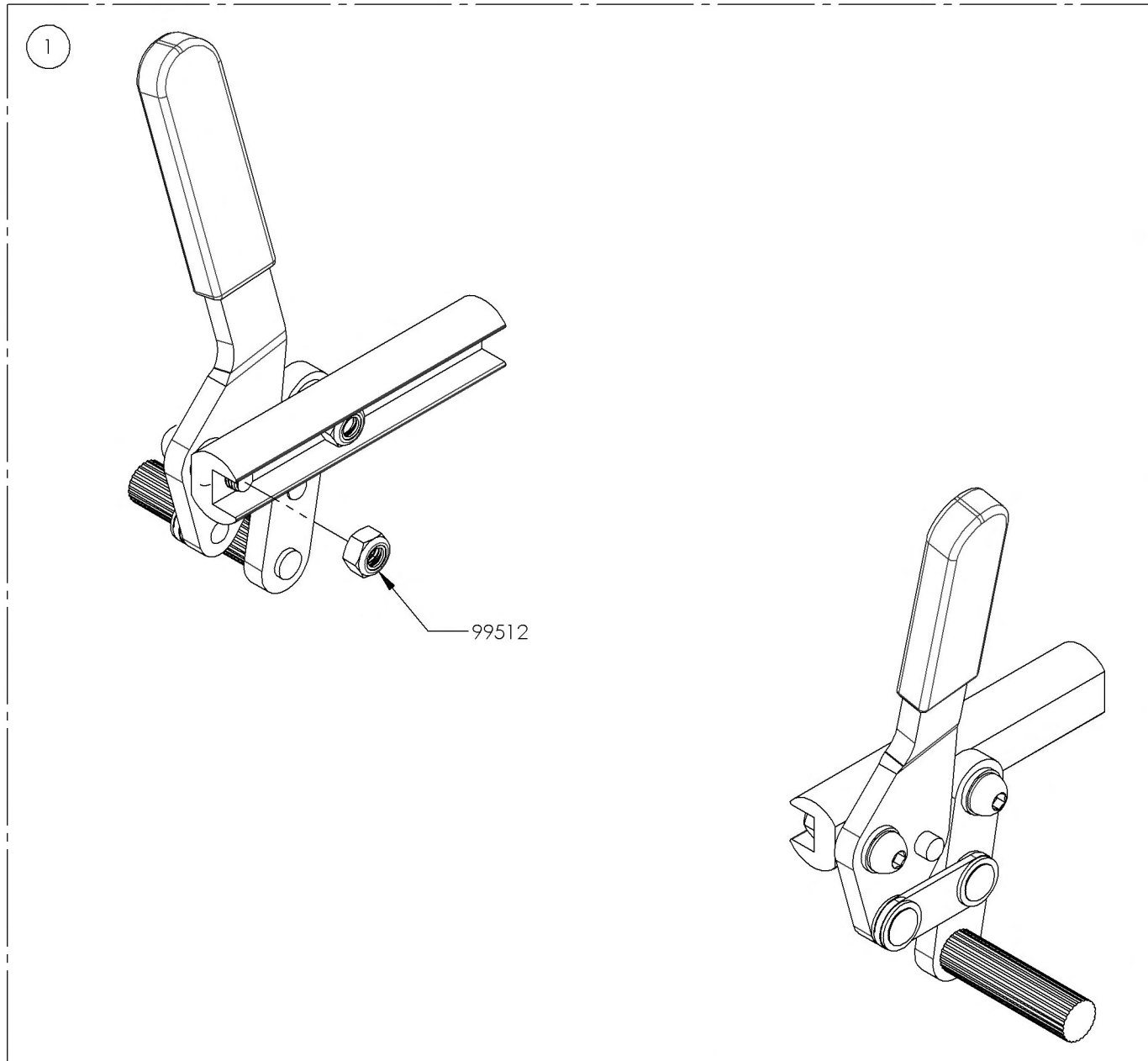
ITEM NO.	PARTNO	DESCRIPTION	QTY
1	9001573	Wheel Lock - Push to lock	1
2	9001575	Wheel Lock - Push to lock, 6 in Removable Extension Handle	1
3	9001577	Wheel Lock - Pull to lock	1
4	9001579	Wheel Lock - Pull to lock, 6 in Removable Extension Handle	1



MAKE SURE TO HAVE YOUR SERIAL NUMBER  
 NEARBY WHEN ORDERING PARTS FOR YOUR  
 MOTION COMPOSITES WHEELCHAIR

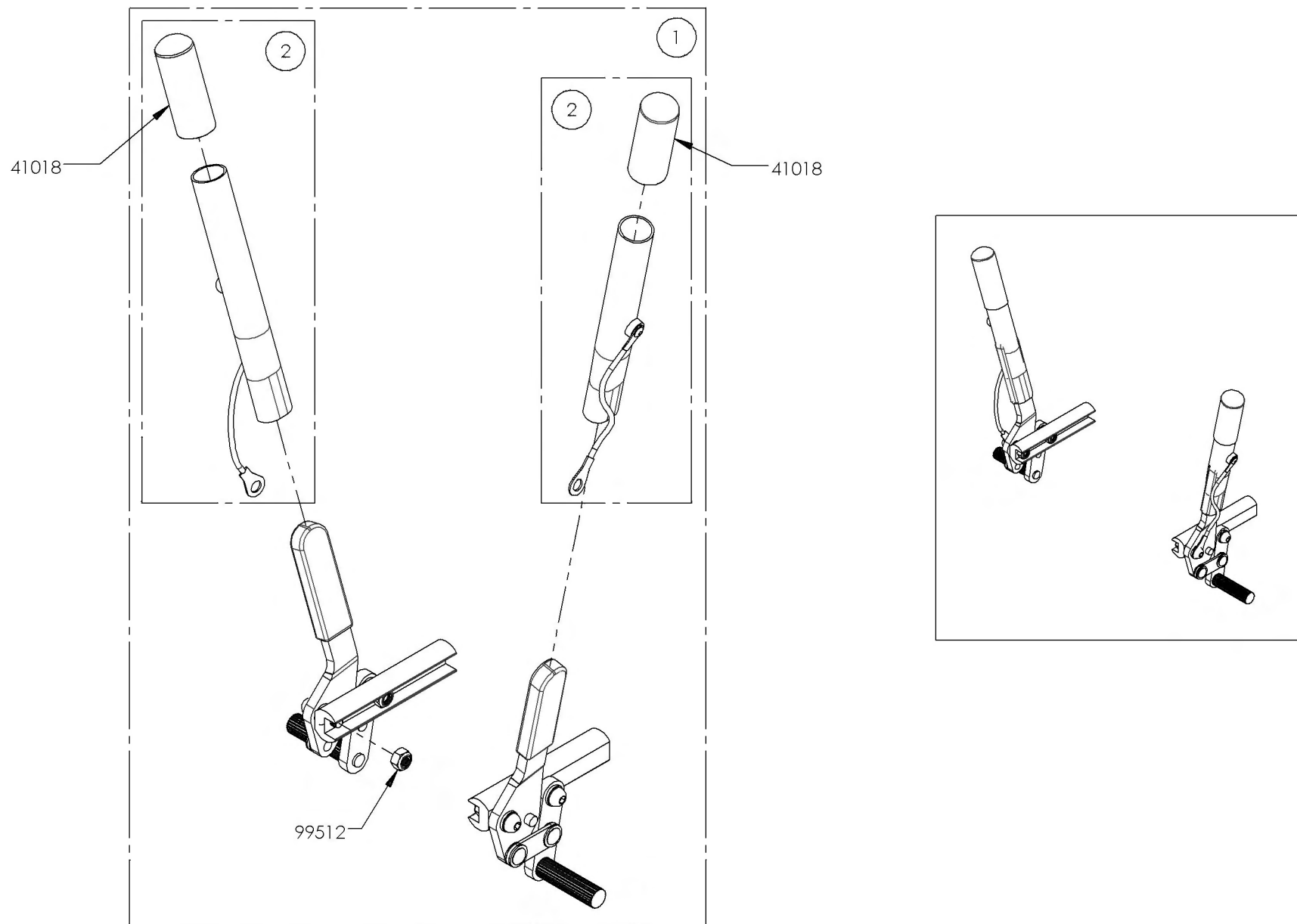
**9001573**  
**Wheel Lock - Push to lock**

ITEM NO.	PARTNO	DESCRIPTION	9001573 /QTY.
1	41002	WHEEL LOCK PUSH	1



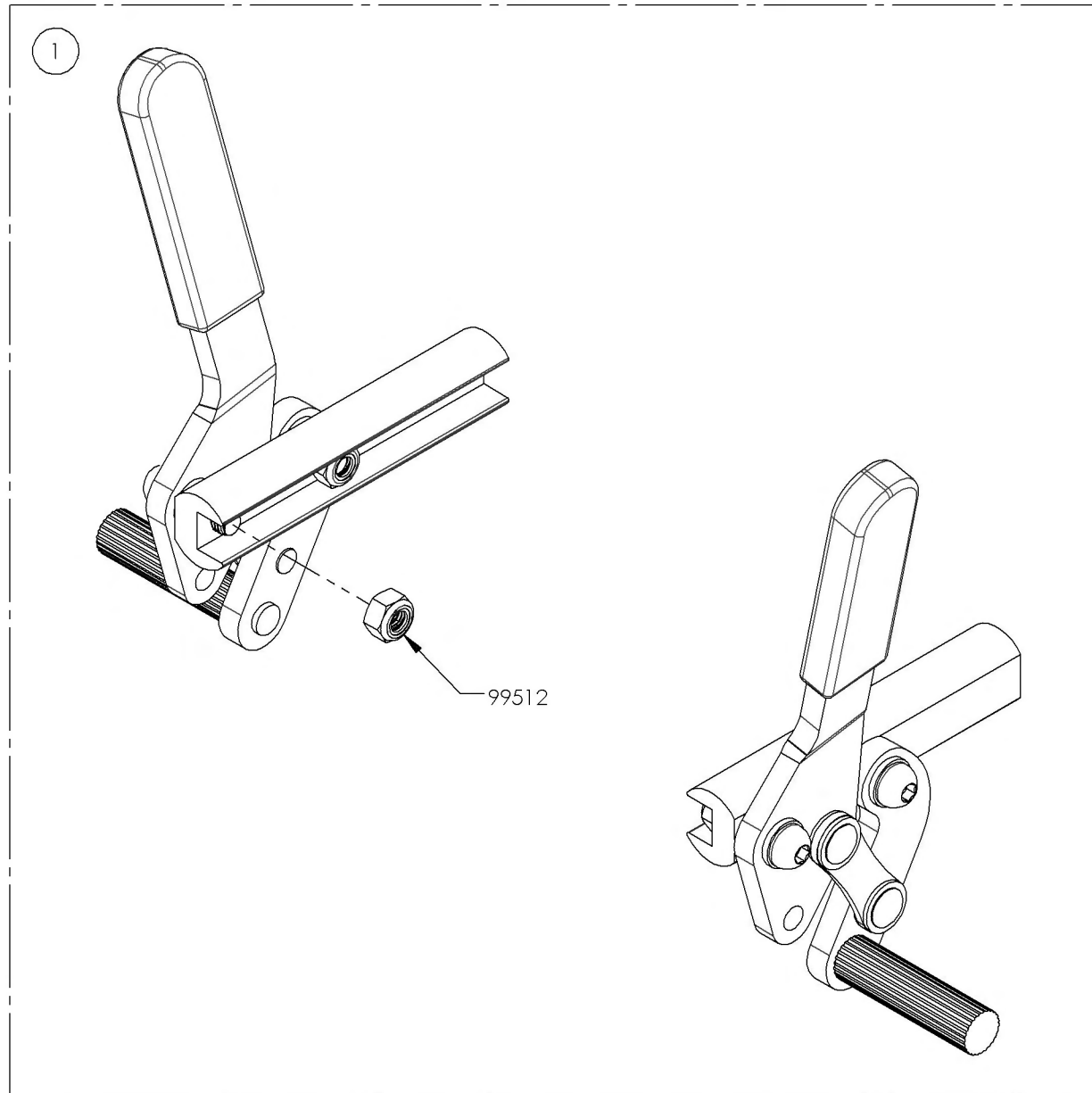
**9001575**  
**Wheel Lock - Push to lock, 6 in Removable Extension Handle**

ITEM NO.	PARTNO	DESCRIPTION	9001575 /QTY.	REPLACEMENT PARTS/QTY.
1	41013	WHEEL LOCK PUSH RIGHT & LEFT (PAIR)	1	-
2	41005	REMOVABLE EXTENSION HANDLE	-	1



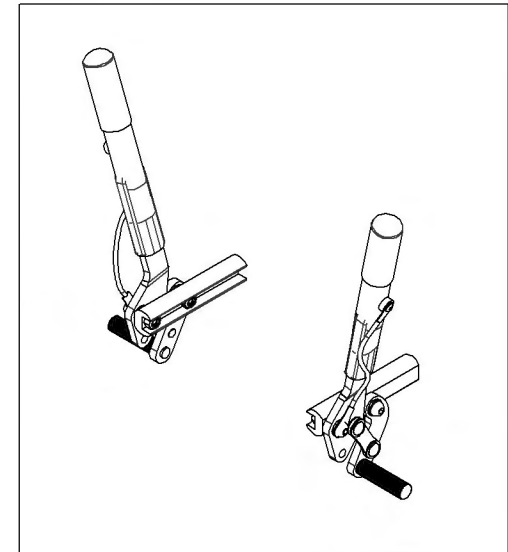
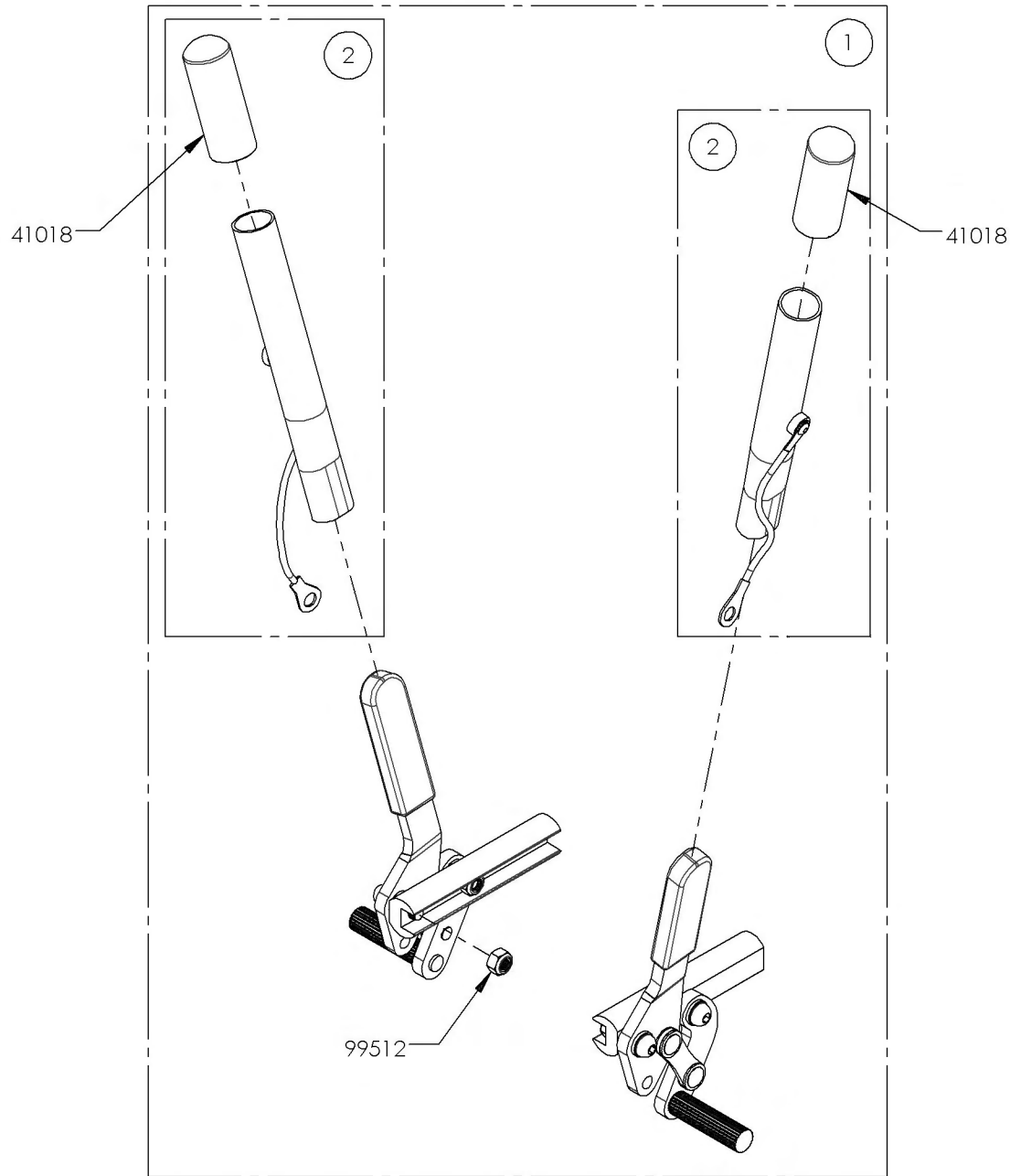
**9001577**  
**Wheel Lock - Pull to lock**

ITEM NO.	PARTNO	DESCRIPTION	9001577 /QTY.
1	41003	PULL TO LOCK WHEEL LOCK RIGHT & LEFT	1



**9001579**  
**Wheel Lock - Pull to lock, 6 in Removable Extension Handle**

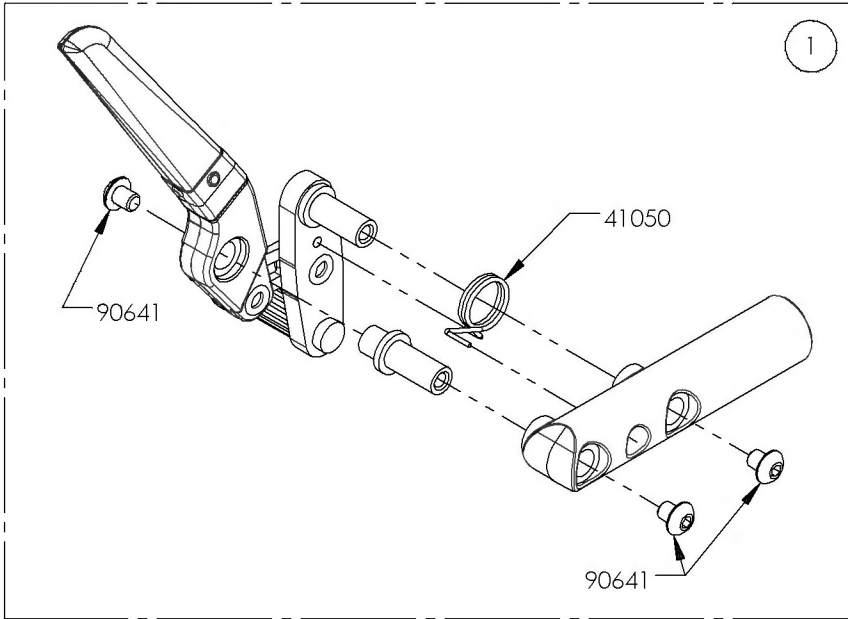
ITEM NO.	PARTNO	DESCRIPTION	9001579 /QTY.	REPLACEMENT PARTS/QTY.
1	41014	WHEEL LOCK PULL + EXTENSION	1	-
2	41005	REMOVABLE EXTENSION HANDLE	-	1



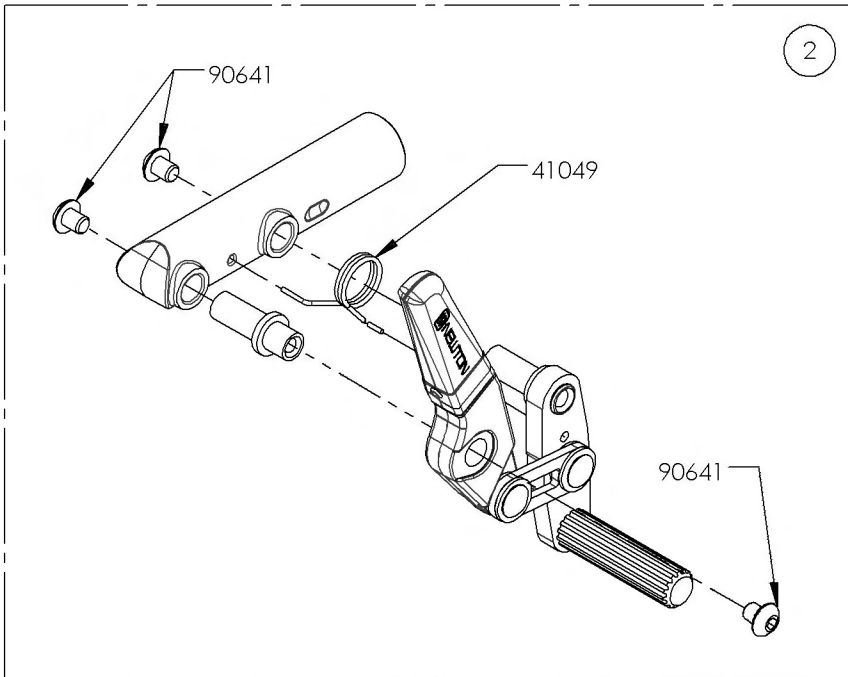
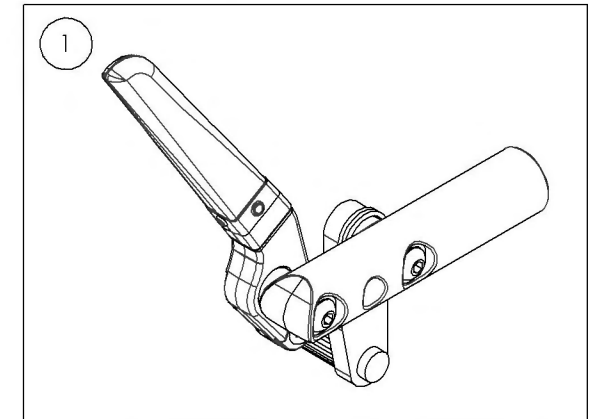
**9002216\_9002217**

**Wheel Lock - Newton Spring Loaded Push to lock**

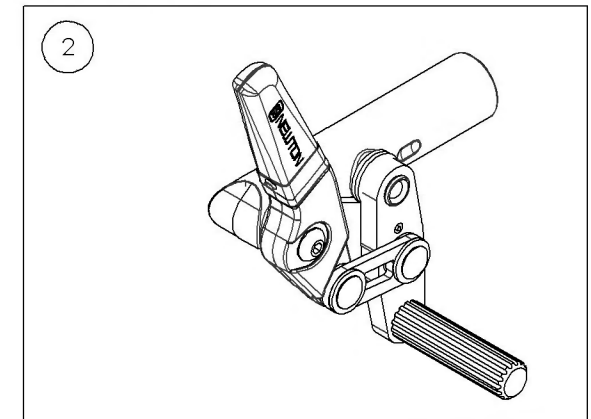
ITEM NO.	PARTNO	DESCRIPTION	9002216 /QTY.	9002217 /QTY.
1	41057	PUSH SPRING WHEEL LOCK RIGHT - ASSEMBLY	1	-
2	41056	PUSH SPRING WHEEL LOCK LEFT - ASSEMBLY	-	1



9002216  
Wheel Lock - Newton Spring Loaded  
Push to lock, Right



9002217  
Wheel Lock - Newton Spring Loaded  
Push to lock, Left

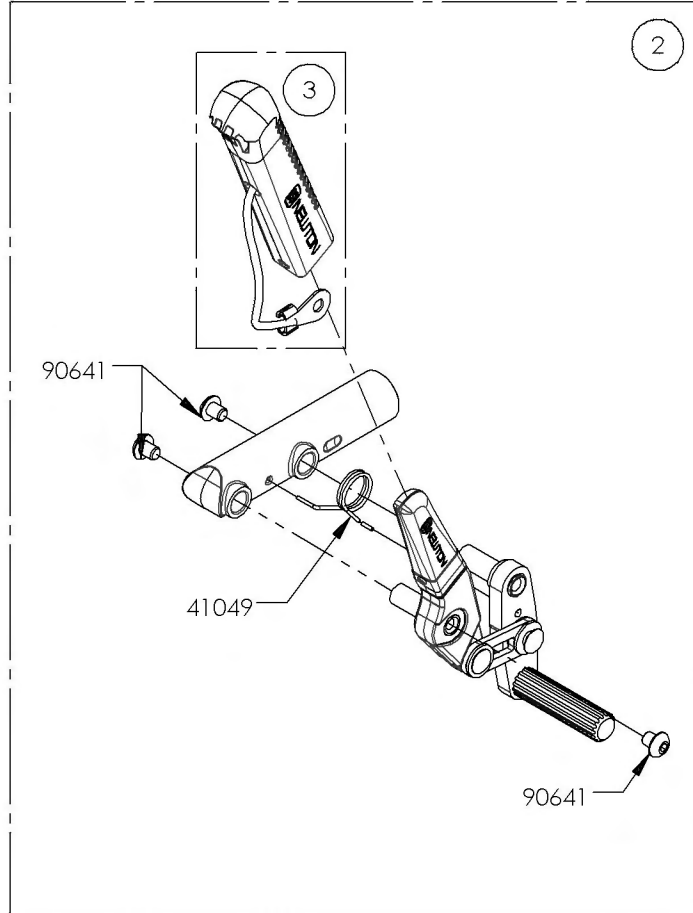
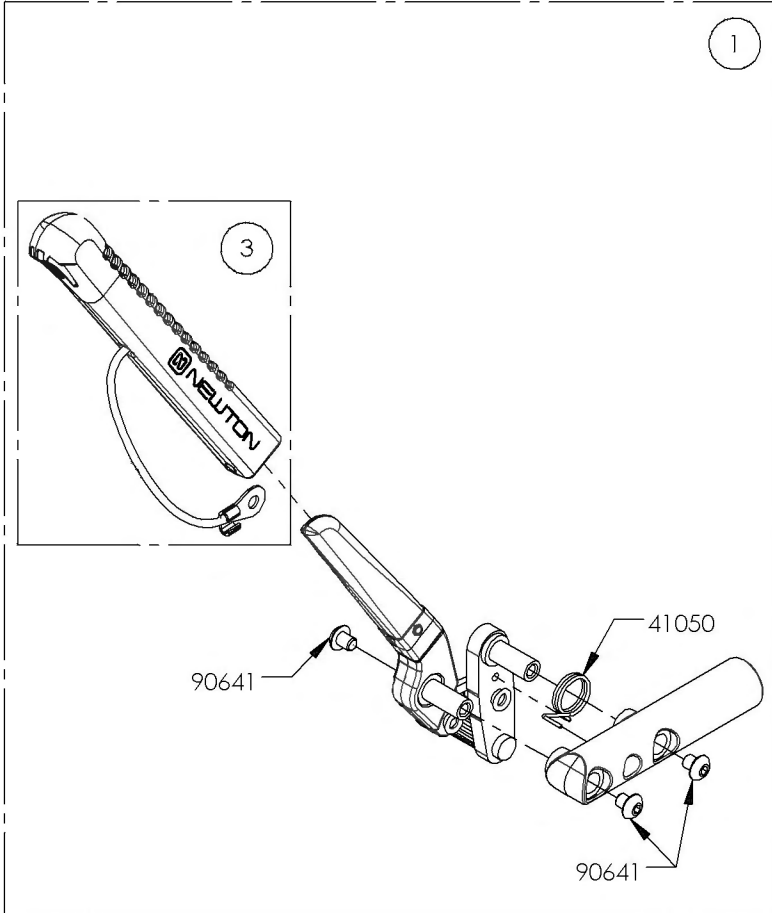




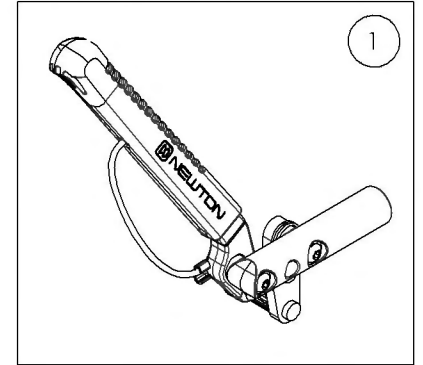
**9002218\_9002219**

**Wheel Lock - Newton Spring Loaded Push to lock, 6 in Removable Extension Handle**

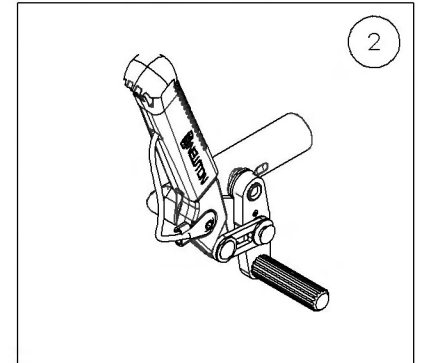
ITEM NO.	PARTNO	DESCRIPTION	9002218 /QTY.	9002219 /QTY.	REPLACEMENT PARTS/QTY.
1	41052	PUSH SPRING WHEEL LOCK RIGHT + EXTENSION - ASSEMBLY	1	-	-
2	41051	PUSH SPRING WHEEL LOCK LEFT+ EXTENSION - ASSEMBLY	-	1	-
3	41500	NEWTON REMOVABLE EXTENSION HANDLE - ASSEMBLY	-	-	1



9002218  
Wheel Lock - Newton Spring  
Loaded Push to lock, 6 in  
Removable Extension Handle, Right

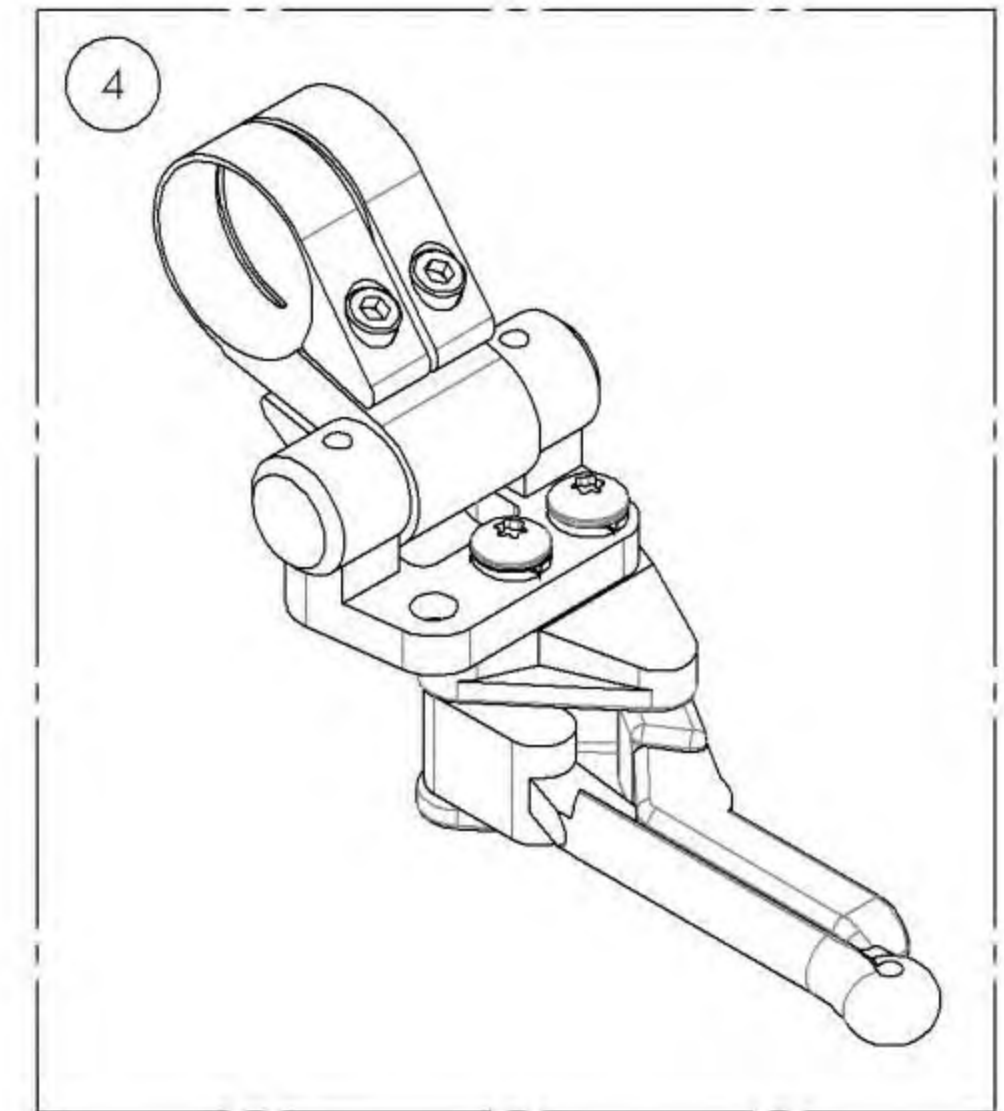
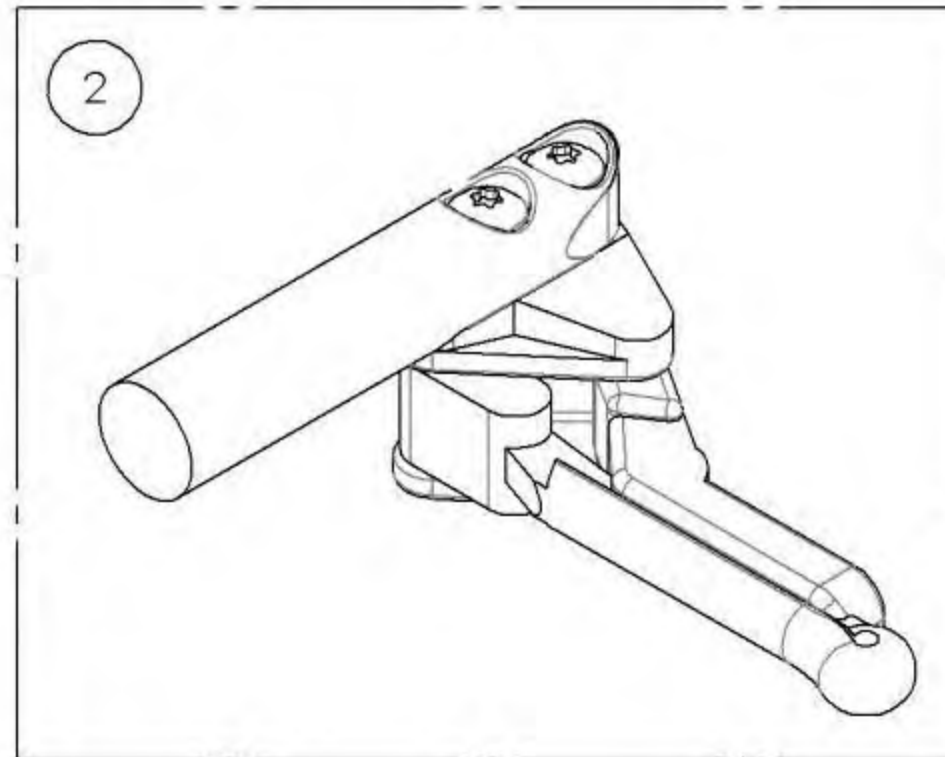
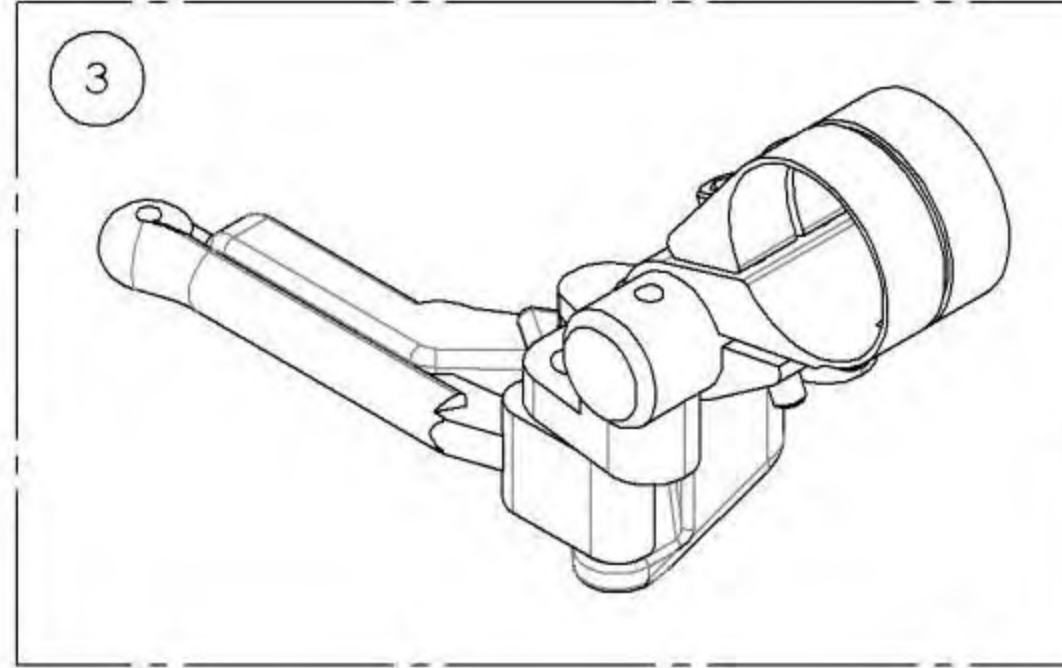
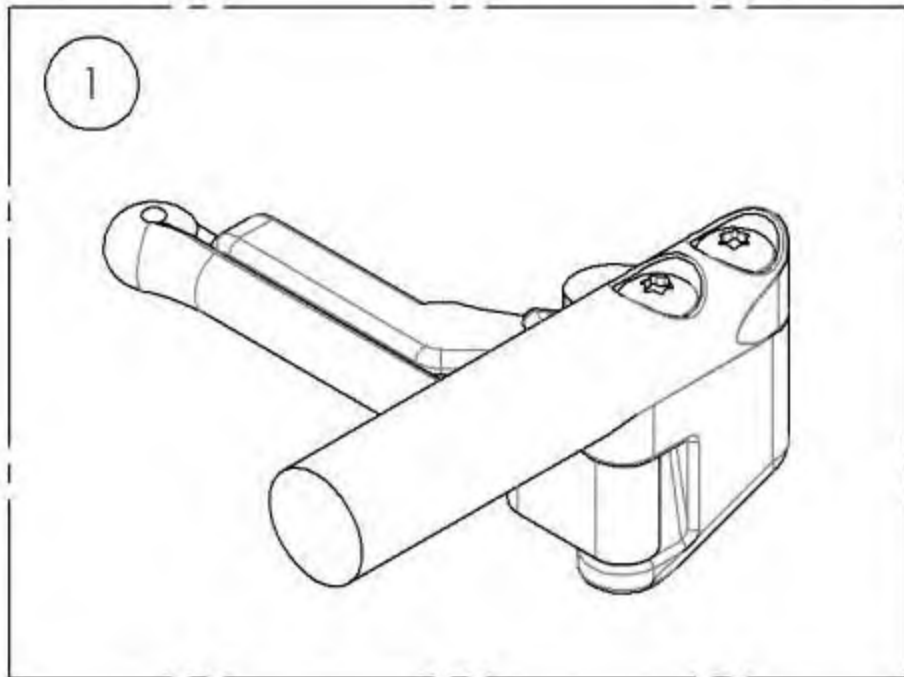


9002219  
Wheel Lock - Newton Spring  
Loaded Push to lock, 6 in  
Removable Extension Handle, Left



**Wheel Lock Catalogue**  
**Wheel Lock - Scissor With Adaptor**

ITEM NO.	PARTNO	DESCRIPTION	QTY.
1	9001585	Wheel Lock - Scissor, Right	1
2	9001586	Wheel Lock - Scissor, Left	1
3	9001325	Wheel Lock - Scissor + Compact Adaptor, Right	1
4	9001326	Wheel Lock - Scissor + Compact Adaptor, Left	1

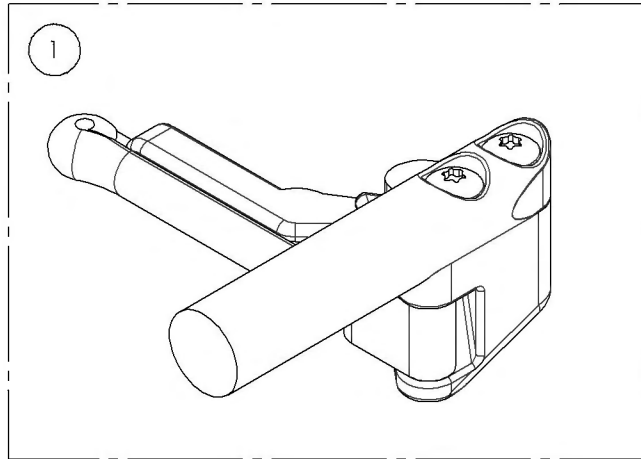


MAKE SURE TO HAVE YOUR SERIAL NUMBER  
 NEARBY WHEN ORDERING PARTS FOR YOUR  
 MOTION COMPOSITES WHEELCHAIR

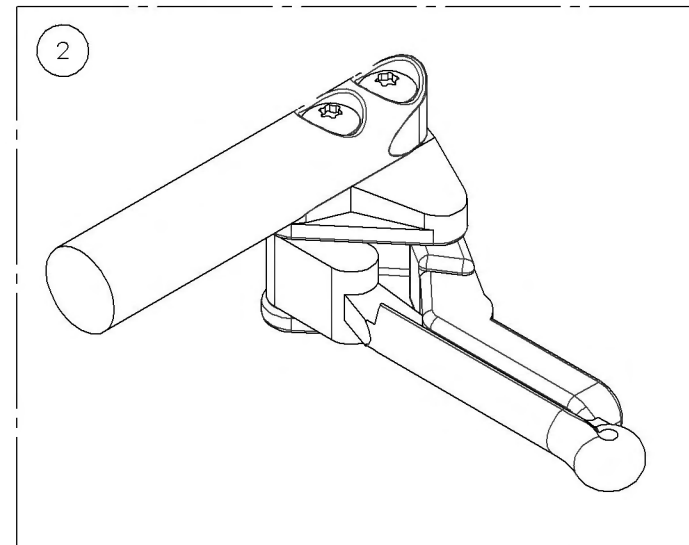
**9001585\_9001586**  
**Wheel Lock - Scissor**

ITEM NO.	PARTNO	DESCRIPTION	9001585 /QTY.	9001586 /QTY.
1	41039	OUT-FRONT SCISSOR WHEEL LOCK RIGHT	1	-
2	41038	OUT-FRONT SCISSOR WHEEL LOCK LEFT	-	1

9001585  
 Wheel Lock - Scissor, Right

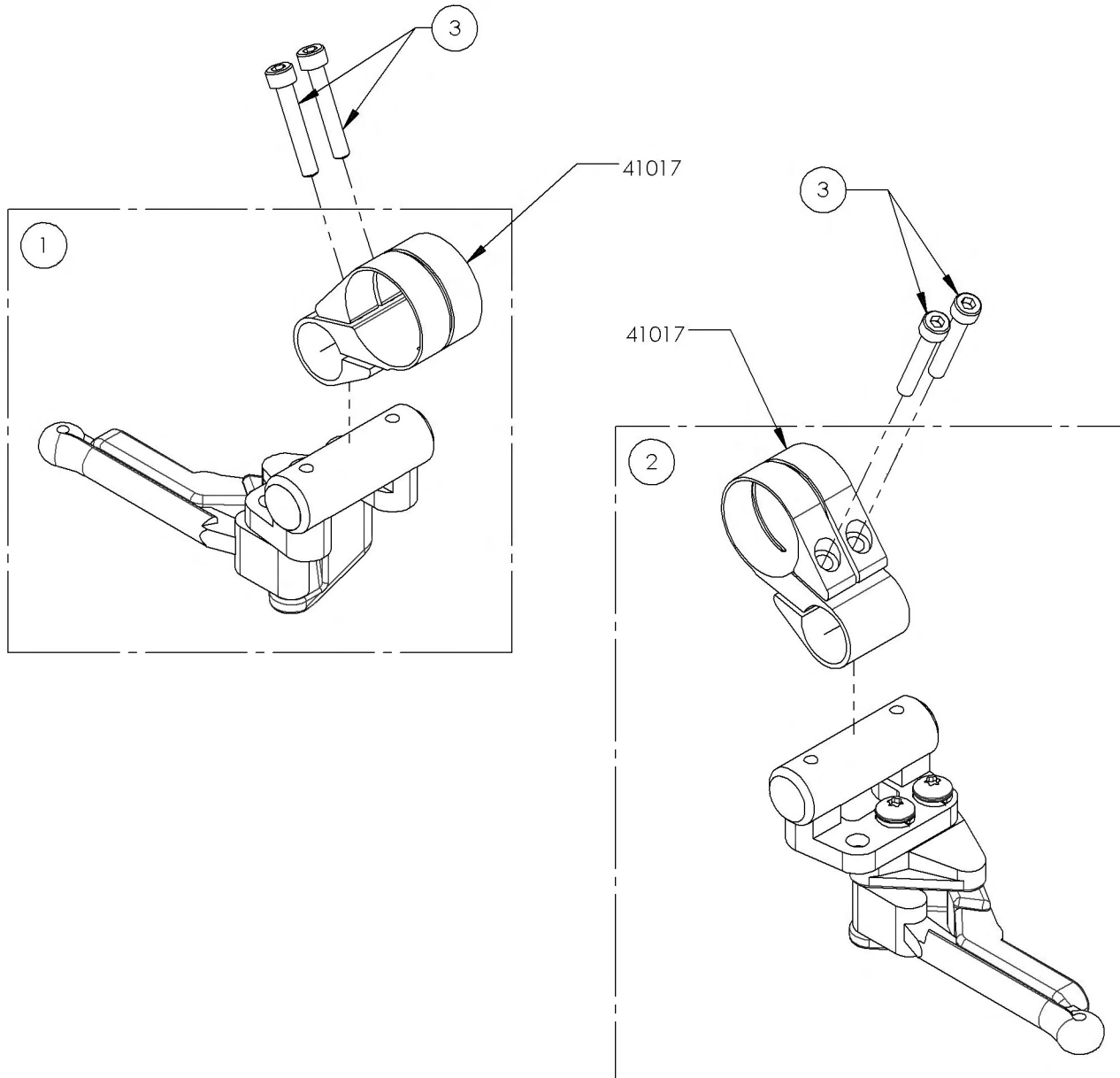


9001586  
 Wheel Lock - Scissor, Left

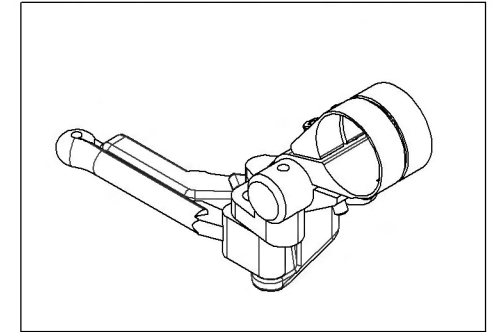


**9001325\_9001326**  
**Wheel Lock - Scissor + Compact Adaptor**

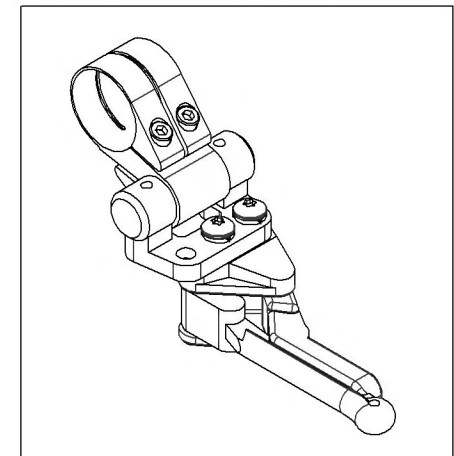
ITEM NO.	PARTNO	DESCRIPTION	9001325 /QTY.	9001326 /QTY.
1	41707	RIGHT VELOCE SCISSOR WHEEL LOCK - ASSEMBLY	1	-
2	41708	LEFT VELOCE SCISSOR WHEEL LOCK - ASSEMBLY	-	1
3	90752	SOCKET CAP SCREW M5X0.8 X 30mm LONG, 22mm THREADED	2	2



9001325  
 Wheel Lock - Scissor + Compact Adaptor, Right

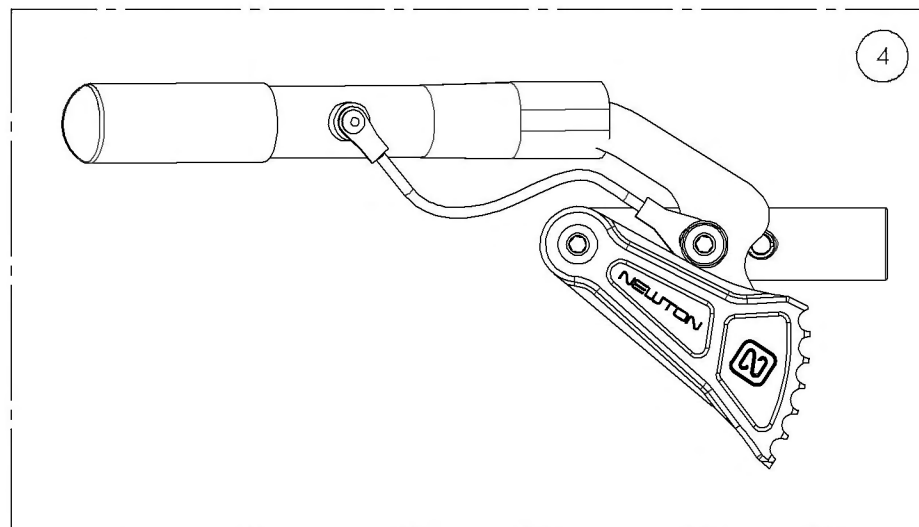
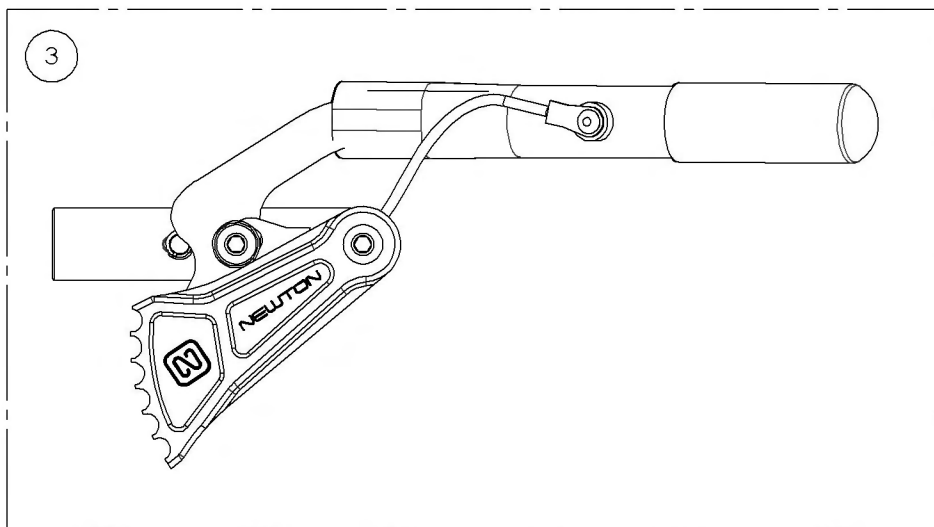
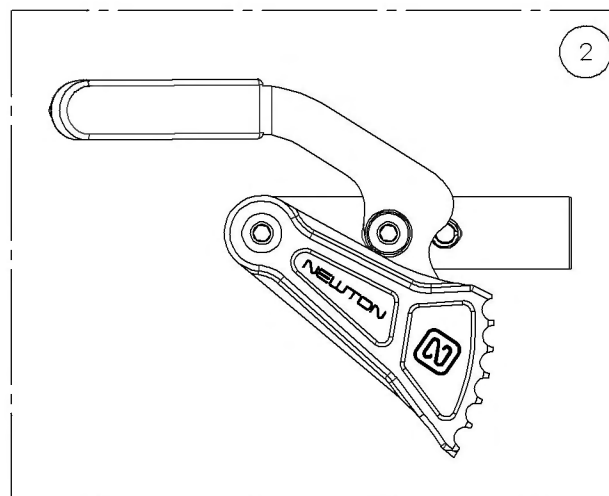
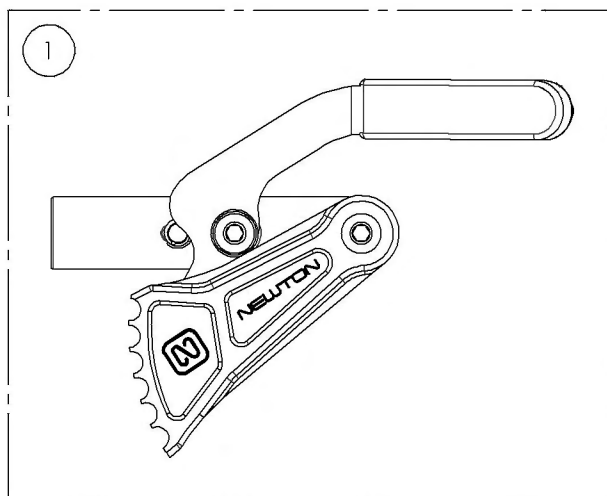


9001326  
 Wheel Lock - Scissor + Compact Adaptor, Left



**Wheel Lock Catalogue**  
**Wheel Lock - Grade Aid With And Without 6" Removable Extension**  
**Handle Right & Left**

ITEM NO.	PARTNO	DESCRIPTION	QTY.
1	9001581	Wheel Lock - Newton Grade Aid, Push to lock, Right	1
2	9001582	Wheel Lock - Newton Grade Aid, Push to lock, Left	1
3	9001583	Wheel Lock - Newton Grade Aid, Push to lock, 6 in Removable Extension Handle, Right	1
4	9001584	Wheel Lock - Newton Grade Aid, Push to lock, 6 in Removable Extension Handle, Left	1

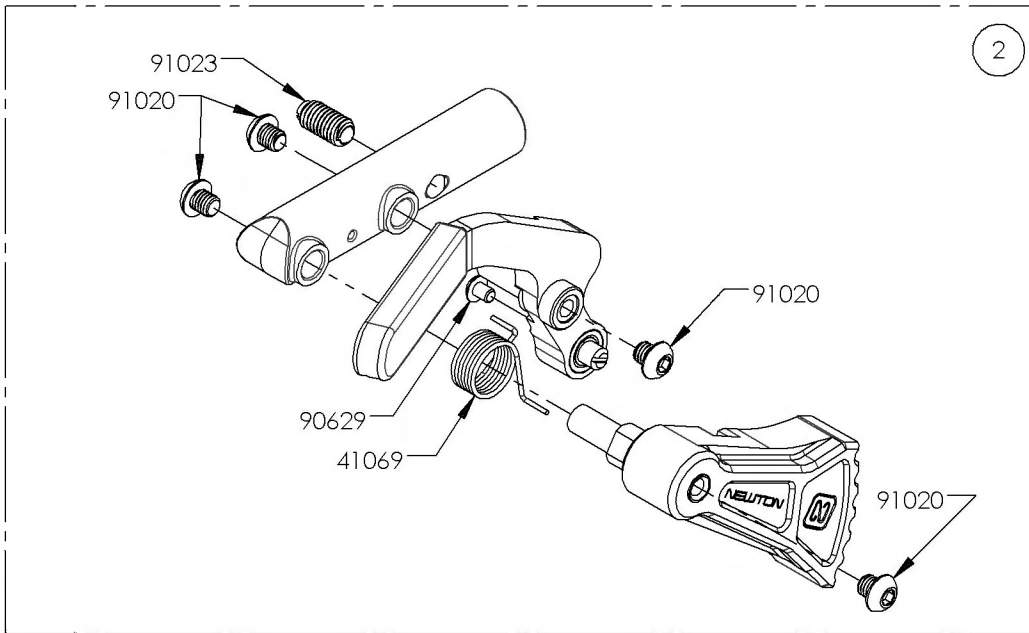
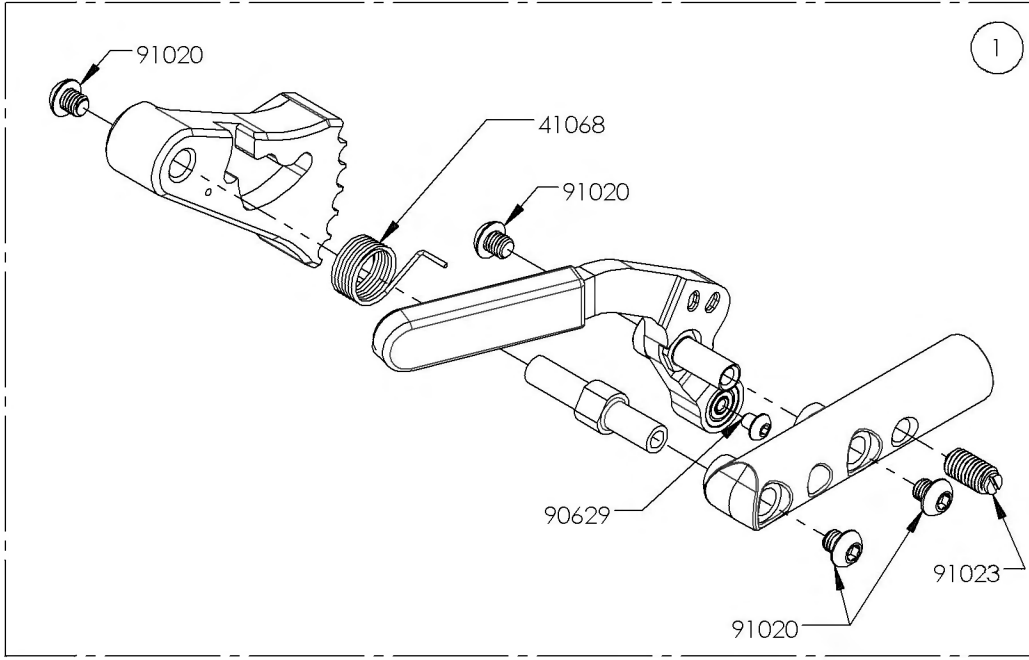


MAKE SURE TO HAVE YOUR SERIAL NUMBER  
 NEARBY WHEN ORDERING PARTS FOR YOUR  
 MOTION COMPOSITES WHEELCHAIR

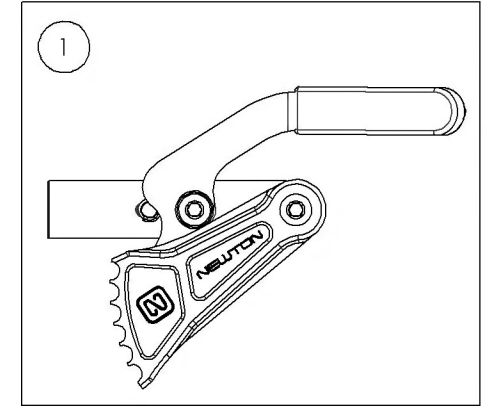
**9001581\_9001582**

**Wheel Lock - Newton Grade Aid, Push to lock**

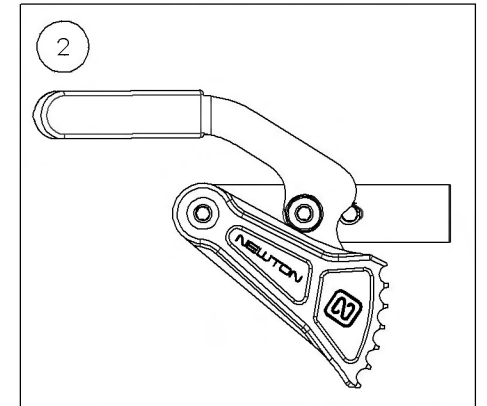
ITEM NO.	PARTNO	DESCRIPTION	9001581 /QTY.	9001582 /QTY.
1	41035	GRADE AID BRAKE RIGHT - ASSEMBLY	1	-
2	41036	GRADE AID BRAKE LEFT - ASSEMBLY	-	1



9001581  
Wheel Lock - Newton Grade Aid,  
Push to lock, Right



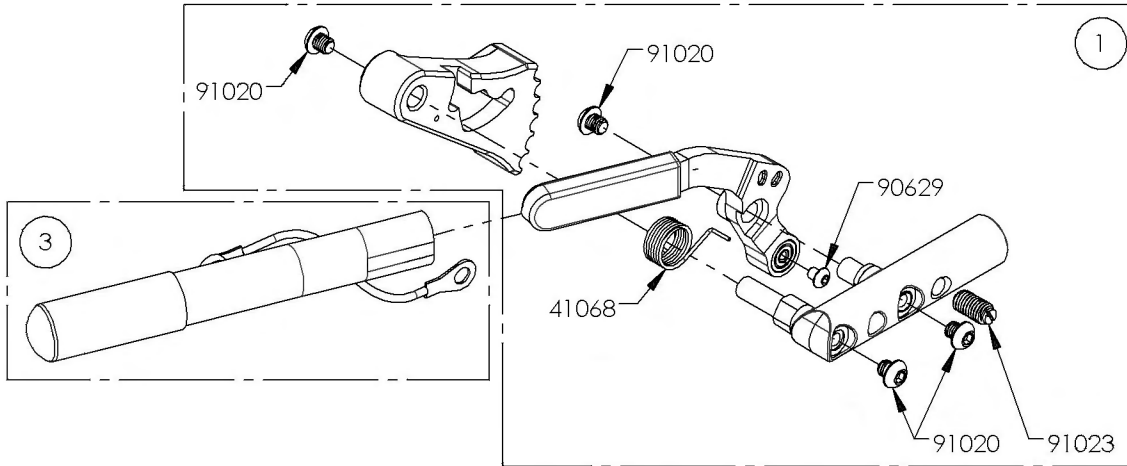
9001582  
Wheel Lock - Newton Grade Aid,  
Push to lock, Left



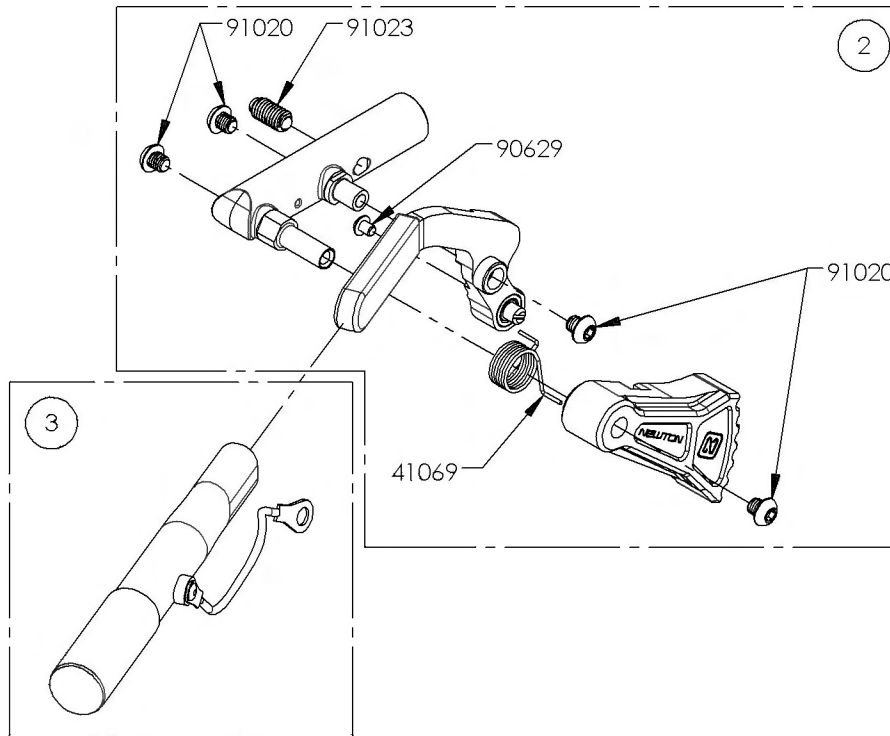
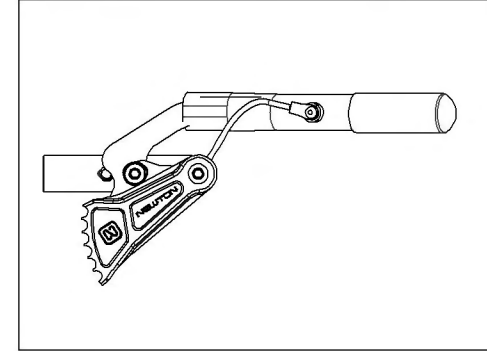
**9001583\_9001584**

**Wheel Lock - Newton Grade Aid, Push to lock, 6 in Removable Extension Handle**

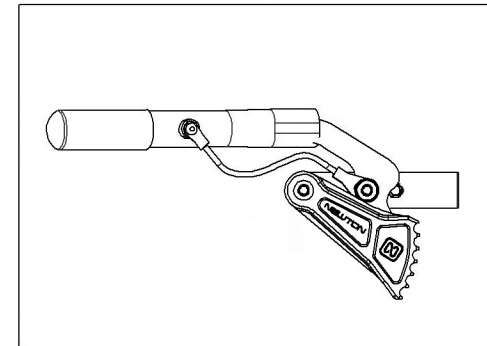
ITEM NO.	PARTNO	DESCRIPTION	9001583 /QTY.	9001584 /QTY.
1	41035	GRADE AID BRAKE RIGHT - ASSEMBLY	1	-
2	41036	GRADE AID BRAKE LEFT - ASSEMBLY	-	1
3	41005	REMOVABLE EXTENSION HANDLE	1	1



9001583  
Wheel Lock - Newton Grade Aid, Push to lock, 6 in Removable Extension Handle, Right



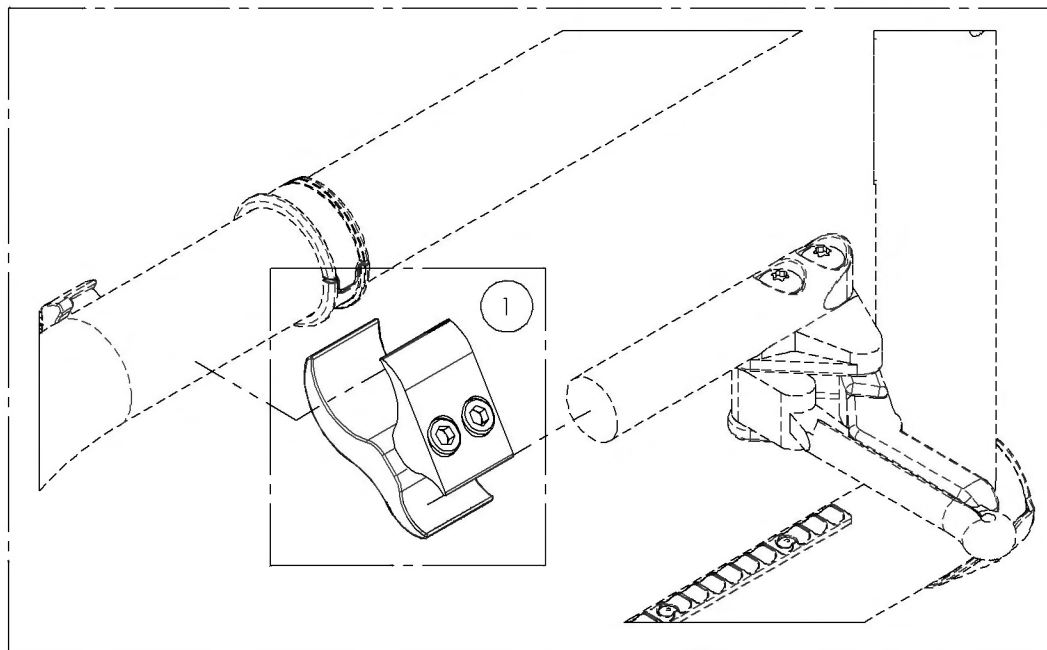
9001584  
Wheel Lock - Newton Grade Aid, Push to lock, 6 in Removable Extension Handle, Left



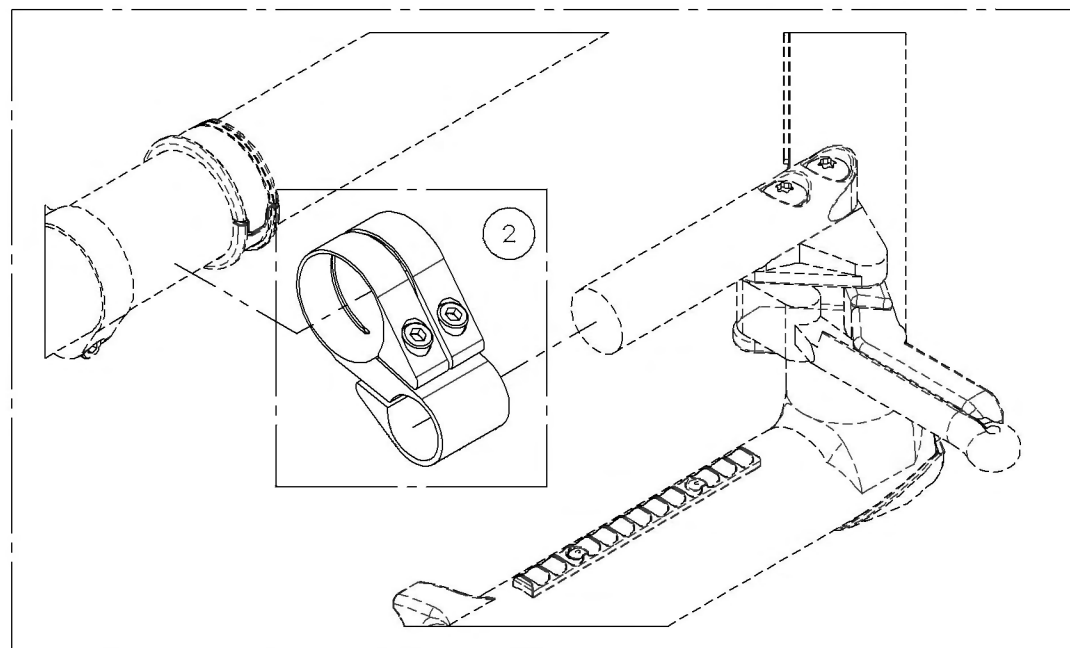
**Wheel Lock Catalogue**  
**Wheel Lock - Clamps**

ITEM NO.	PARTNO	DESCRIPTION	QTY.
1	9001211	Wheel lock - Two Part Clamp	1
2	9001212	Wheel lock - Ultralight One Part Clamp	1

**FOR ALUMINUM FRAME**



**FOR CARBON FRAME**

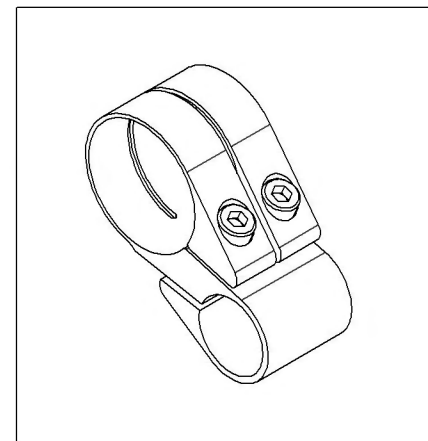
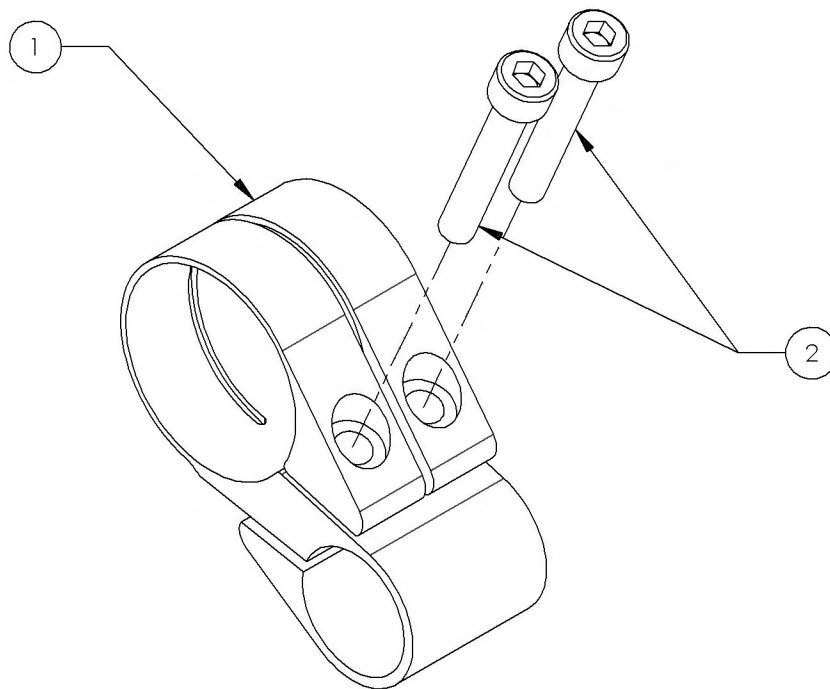


MAKE SURE TO HAVE YOUR SERIAL NUMBER  
NEARBY WHEN ORDERING PARTS FOR YOUR  
MOTION COMPOSITES WHEELCHAIR



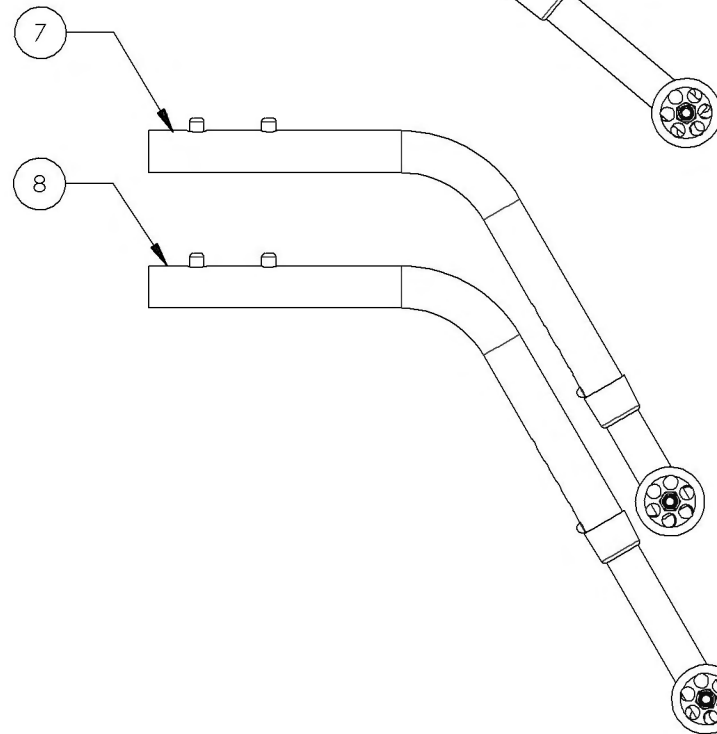
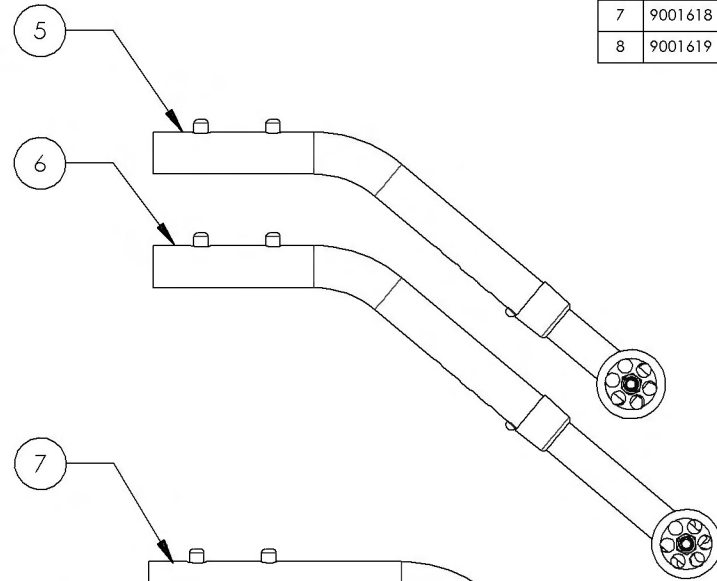
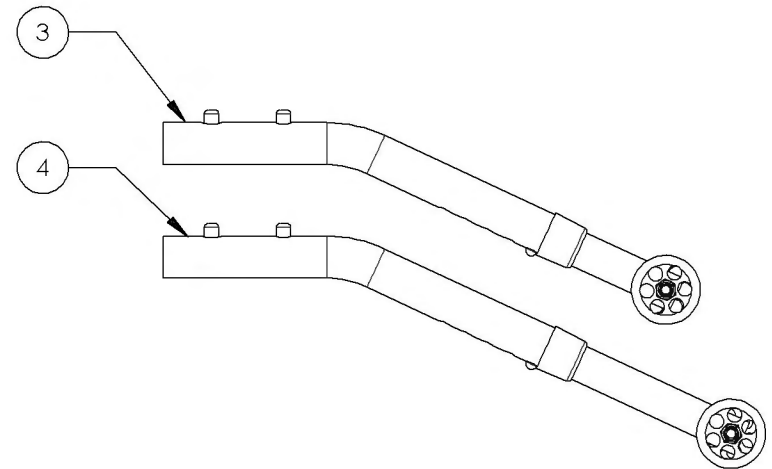
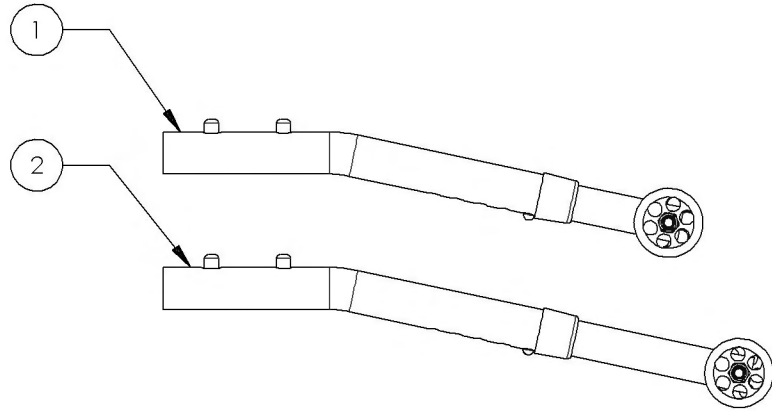
**9001212**  
**Wheel lock - Ultralight One Part Clamp**

ITEM NO.	PARTNO	DESCRIPTION	9001212 /QTY.
1	41017	V2 BRAKE CLAMP	1
2	90752	SOCKET CAP SCREW M5X0.8 X 30mm LONG, 22mm THREADED	2



**Accessories Catalogue**  
**Anti-Tippers**

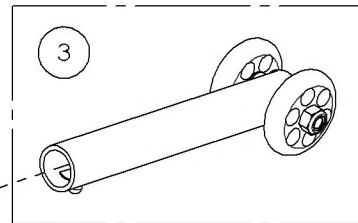
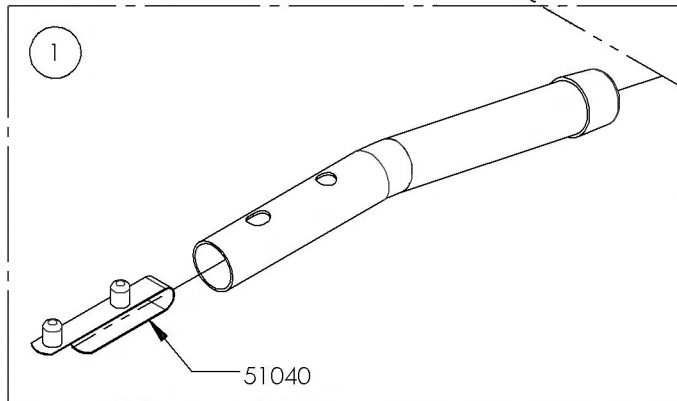
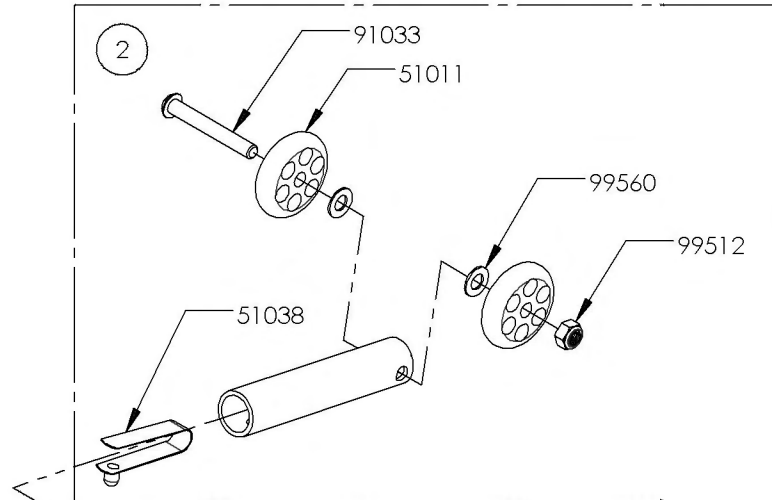
ITEM NO.	PARTNO	DESCRIPTION	QTY.
1	9001620	Anti-Tipper X- Small + Short Extension	1
2	9001621	Anti-Tipper X- Small + Long Extension	1
3	9001614	Anti-Tipper Small + Short Extension	1
4	9001615	Anti-Tipper Small + Long Extension	1
5	9001616	Anti-Tipper Medium + Short Extension	1
6	9001617	Anti-Tipper Medium + Long Extension	1
7	9001618	Anti-Tipper Large + Short Extension	1
8	9001619	Anti-Tipper Large + Long Extension	1



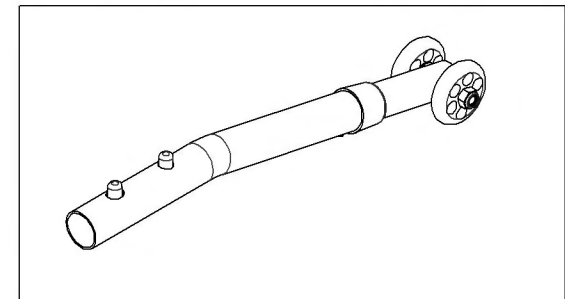
MAKE SURE TO HAVE YOUR SERIAL NUMBER  
NEARBY WHEN ORDERING PARTS FOR YOUR  
MOTION COMPOSITES WHEELCHAIR

**9001620\_9001621**  
**Anti-Tipper X- Small + Extension**

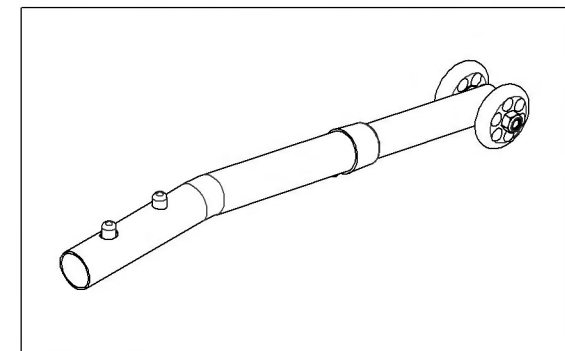
ITEM NO.	PARTNO	DESCRIPTION	9001620 /QTY.	9001621 /QTY.
1	51513	ANTI-TIPPER X-SMALL V2 - ASSEMBLY	1	1
2	51517	ANTI-TIPPER EXTENSION SHORT V2 - ASSEMBLY	1	-
3	51518	ANTI-TIPPER EXTENSION LONG V2 - ASSEMBLY	-	1



9001620  
 Anti-Tipper X- Small + Short Extension

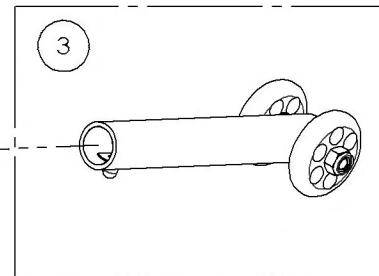
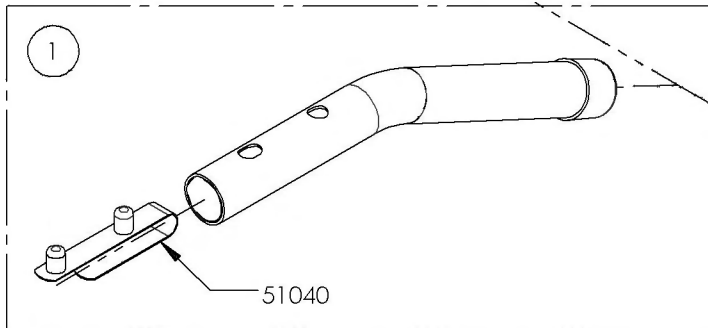
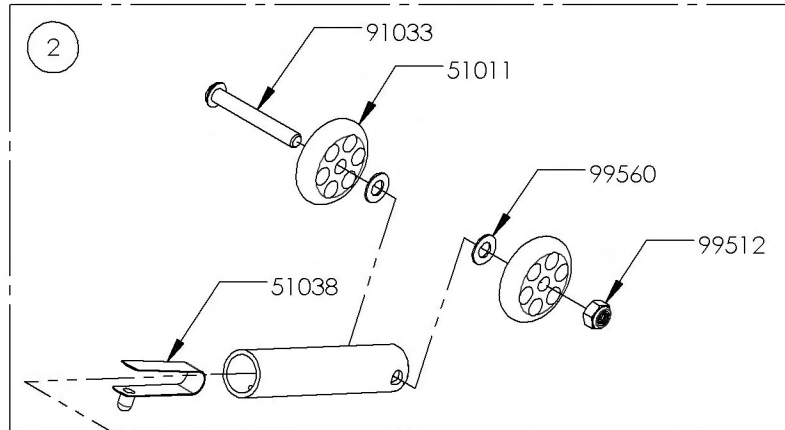


9001621  
 Anti-Tipper X- Small + Long Extension

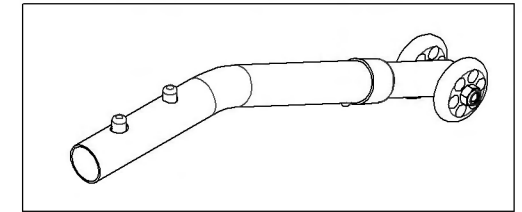


**9001614\_9001615**  
**Anti-Tipper Small + Extension**

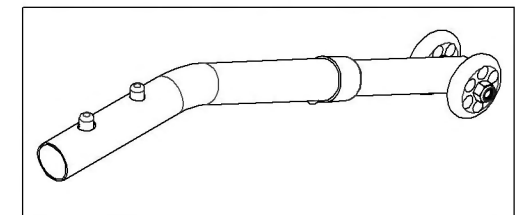
ITEM NO.	PARTNO	DESCRIPTION	9001614 /QTY.	9001615 /QTY.
1	51519	ANTI-TIPPER SMALL V2 - ASSEMBLY	1	1
2	51517	ANTI-TIPPER EXTENSION SHORT V2 - ASSEMBLY	1	-
3	51518	ANTI-TIPPER EXTENSION LONG V2 - ASSEMBLY	-	1



9001614  
 Anti-Tipper Small + Short Extension

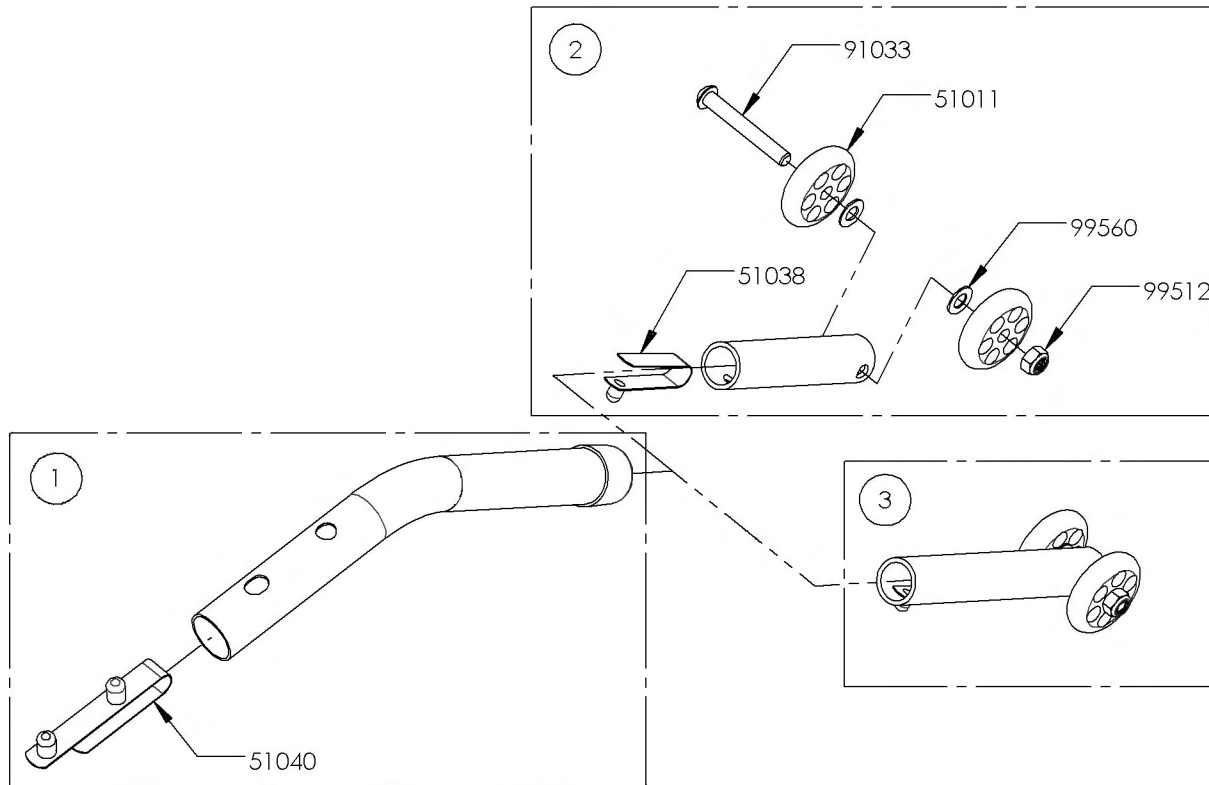


9001615  
 Anti-Tipper Small + Long Extension

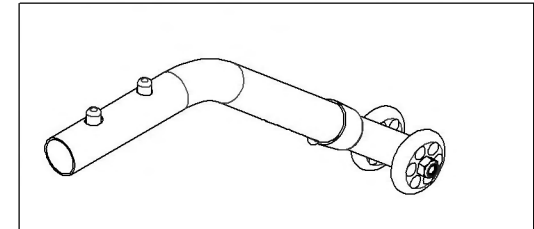


**9001616\_9001617**  
**Anti-Tipper Medium + Extension**

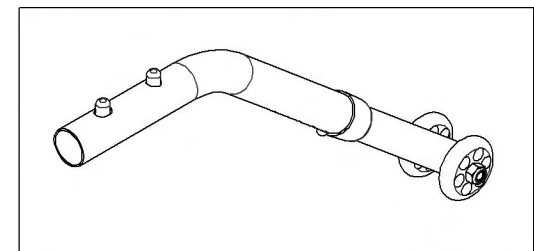
ITEM NO.	PARTNO	DESCRIPTION	9001616 /QTY.	9001617 /QTY.
1	51520	ANTI-TIPPER MEDIUM V2 - ASSEMBLY	1	1
2	51517	ANTI-TIPPER EXTENSION SHORT V2 - ASSEMBLY	1	-
3	51518	ANTI-TIPPER EXTENSION LONG V2 - ASSEMBLY	-	1



9001616  
 Anti-Tipper Medium + Short Extension

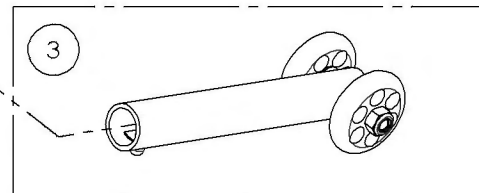
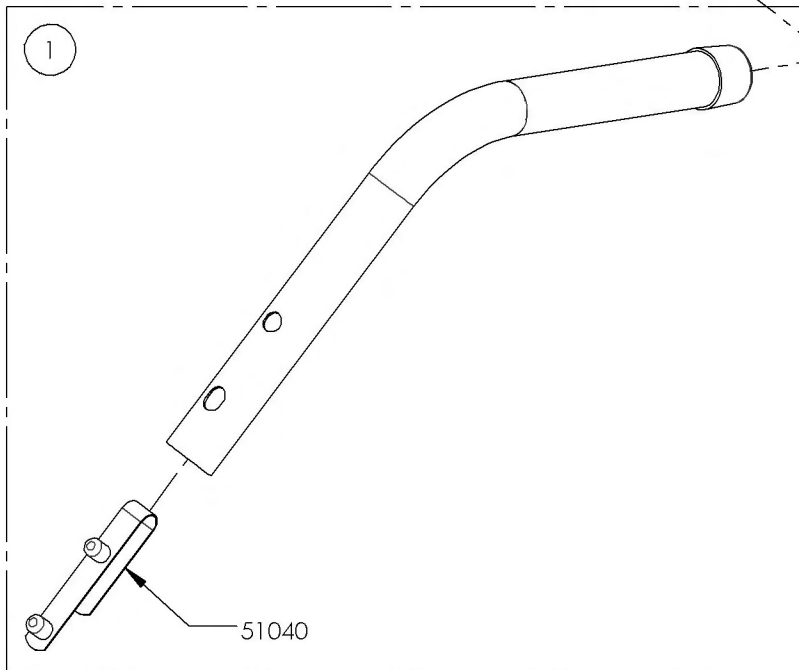
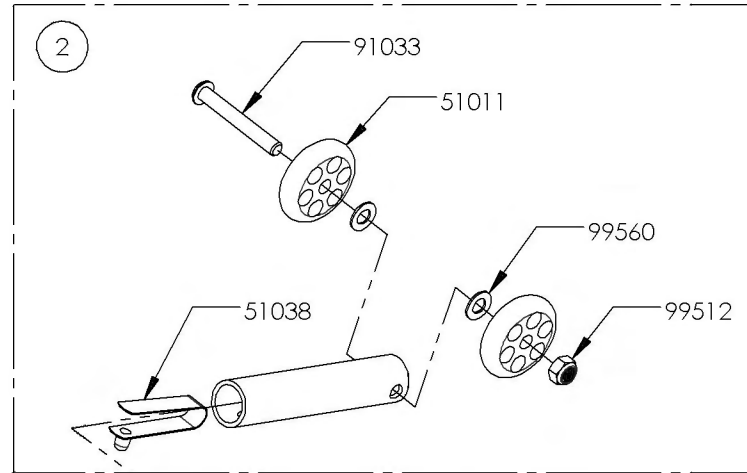


9001617  
 Anti-Tipper Medium + Long Extension

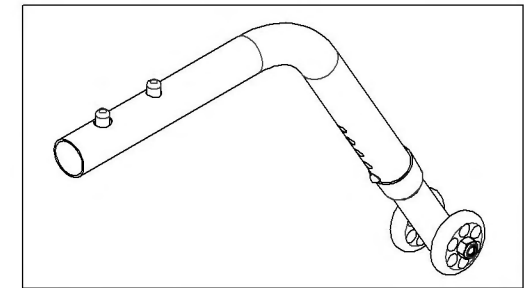


**9001618\_9001619**  
**Anti-Tipper Large + Extension**

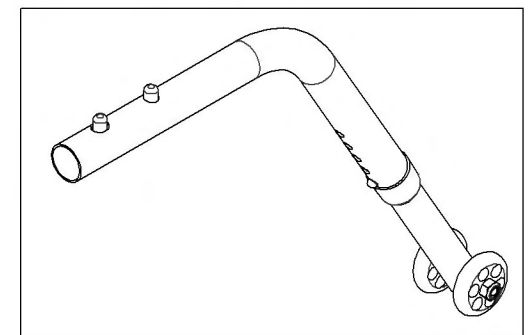
ITEM NO.	PARTNO	DESCRIPTION	9001618 /QTY.	9001619 /QTY.
1	51521	ANTI-TIPPER LARGE V2 - ASSEMBLY	1	1
2	51517	ANTI-TIPPER EXTENSION SHORT V2 - ASSEMBLY	1	-
3	51518	ANTI-TIPPER EXTENSION LONG V2 - ASSEMBLY	-	1



9001618  
 Anti-Tipper Large + Short Extension



9001619  
 Anti-Tipper Large + Long Extension



**Accessories Catalogue**  
**Army Patches**

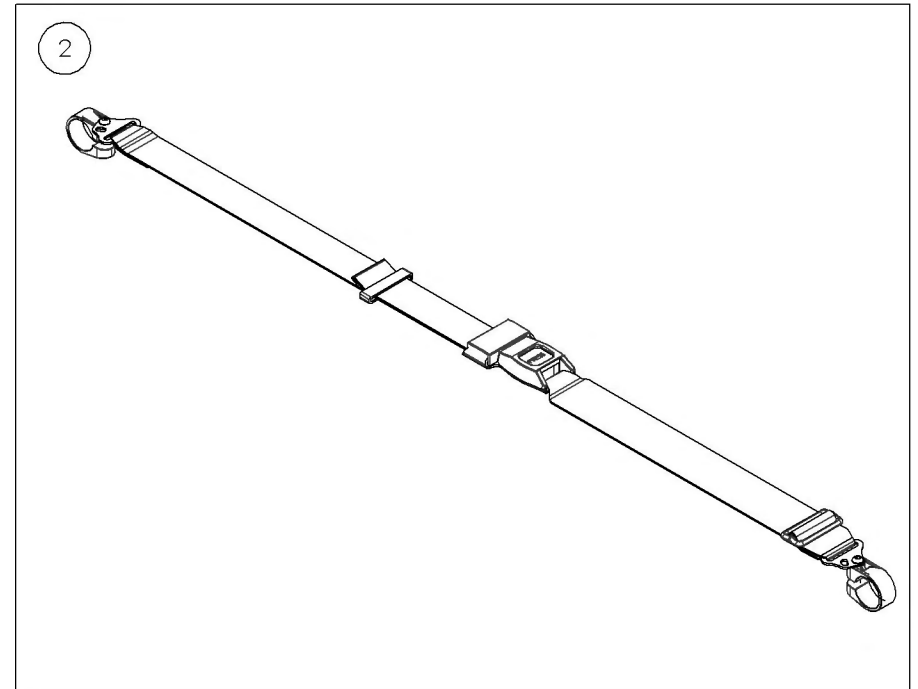
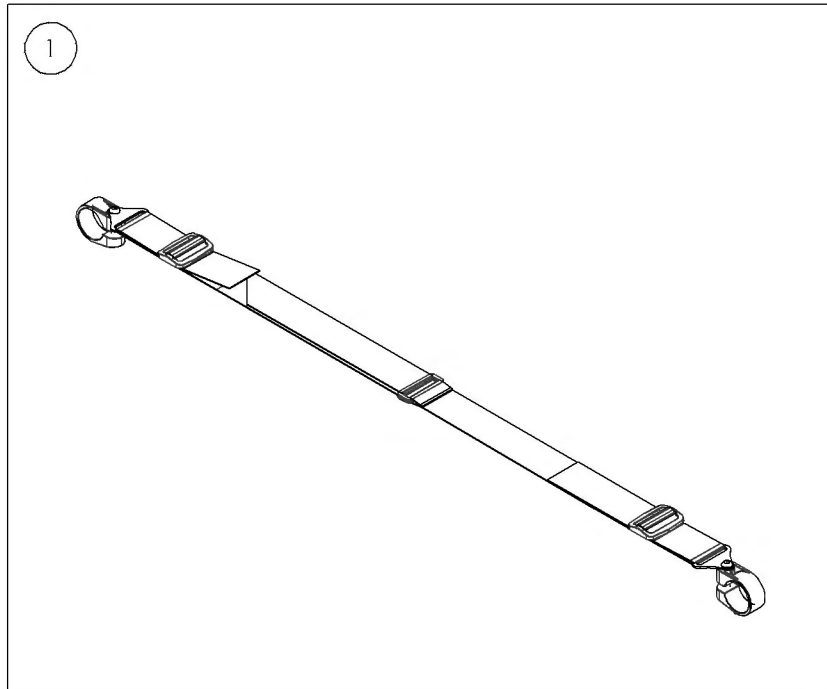
ITEM NO.	PARTNO	DESCRIPTION	QTY.
1	9002230	Army Patch - Army	1
2	9002231	Army Patch - Navy	1
3	9002232	Army Patch - Air Force	1
4	9002233	Army Patch - Marines	1
5	9002234	Army Patch - Combat Wounded Purple Heart	1



MAKE SURE TO HAVE YOUR SERIAL NUMBER NEARBY WHEN ORDERING PARTS FOR YOUR MOTION COMPOSITES WHEELCHAIR

**Accessories Catalogue**  
**Positioning Seatbelts**

ITEM NO.	PARTNO	DESCRIPTION	QTY.
1	9001587	Positioning Seatbelt	1
2	9001588	Positioning Seatbelt - Auto Buckle	1



BOTH ITEMS ALREADY INCLUDE THE APPROPRIATE  
NUMBER OF COMPOSITE CLAMPS

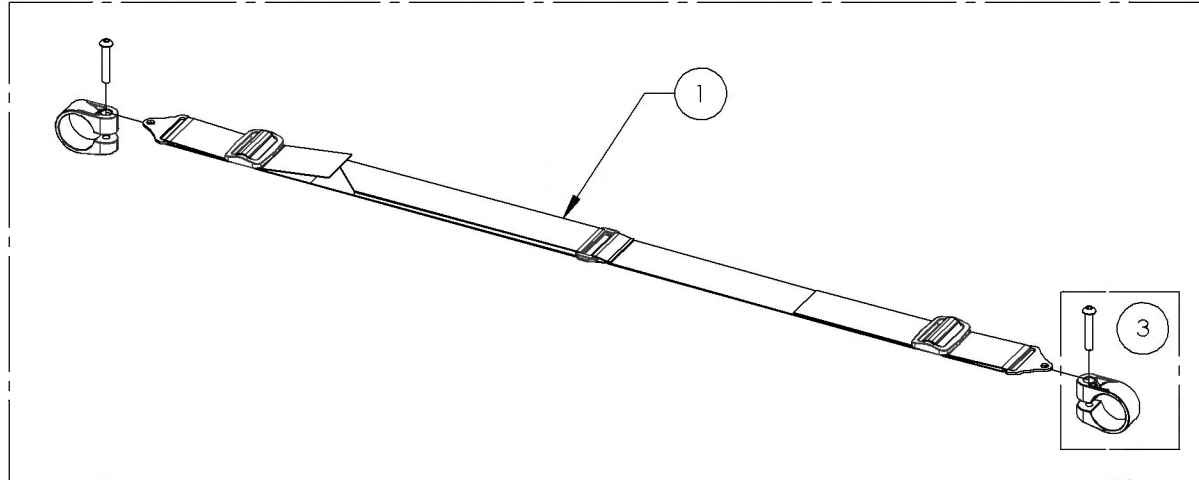
MAKE SURE TO HAVE YOUR SERIAL NUMBER  
NEARBY WHEN ORDERING PARTS FOR YOUR  
MOTION COMPOSITES WHEELCHAIR



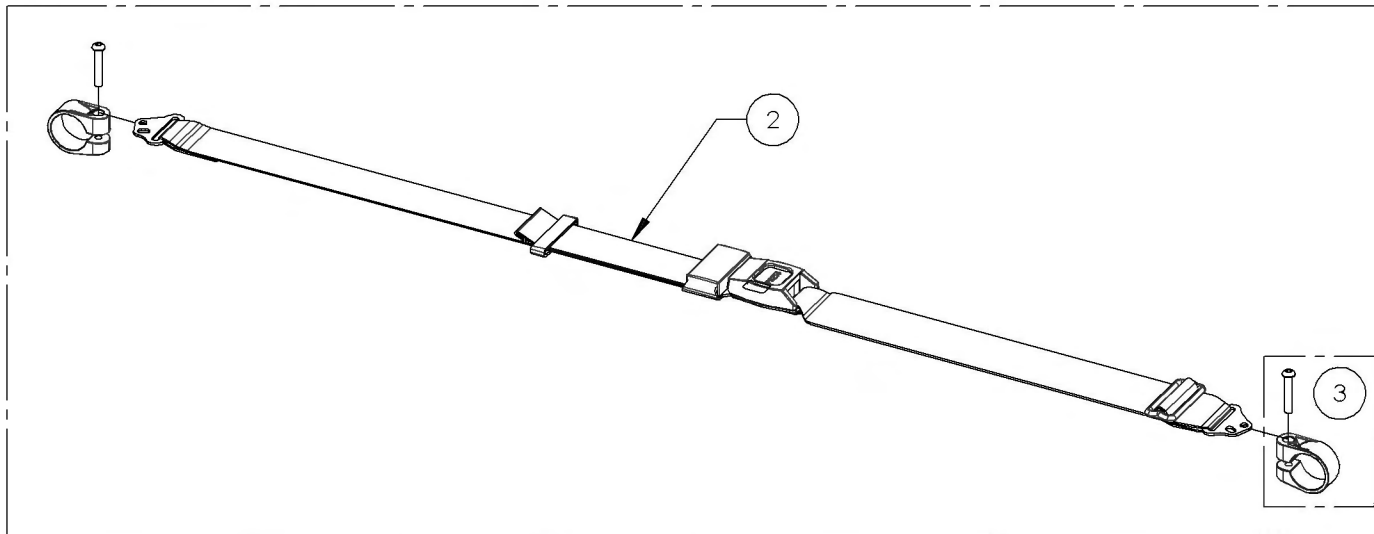
**9001587\_9001588  
Positioning Seatbelts**

ITEM NO.	PARTNO	DESCRIPTION	9001588 /QTY.	9001587 /QTY.
1	51024	VELCRO BELT	-	1
2	51027	AUTO BUCKLE	1	-
3	60500	FRAME SAVER ASSEMBLY (PAIR)	1	1

9001587  
Positioning Seatbelt



9001588  
Positioning Seatbelt - Auto Buckle



**Accessories Catalogue**  
**Positioning Seatbelts - Bodypoint 2 And 4 Points**

ITEM NO.	PARTNO	DESCRIPTION	QTY.
1	9002221	Positioning Seatbelt - Bodypoint 2, Non Padded, Medium	1
2	9002222	Positioning Seatbelt - Bodypoint 2, Non Padded, Large	1
3	9002223	Positioning Seatbelt - Bodypoint 2, Padded, Small	1
4	9002224	Positioning Seatbelt - Bodypoint 2, Padded, Medium	1
5	9002225	Positioning Seatbelt - Bodypoint 2, Padded, Large	1
6	9002226	Positioning Seatbelt - Bodypoint 4, Padded, Small	1
7	9002227	Positioning Seatbelt - Bodypoint 4, Padded, Medium	1
8	9002228	Positioning Seatbelt - Bodypoint 4 Point, Padded, Large	1



ITEMS 1-8 ALREADY INCLUDE THE APPROPRIATE  
NUMBER OF COMPOSITE CLAMPS

MAKE SURE TO HAVE YOUR SERIAL NUMBER  
NEARBY WHEN ORDERING PARTS FOR YOUR  
MOTION COMPOSITES WHEELCHAIR

**900221\_900228  
Positioning Seatbelts - Bodypoint**

ITEM NO.	PARTNO	DESCRIPTION	900221 /QTY.	900222 /QTY.	900223 /QTY.	900224 /QTY.	900225 /QTY.	900226 /QTY.	900227 /QTY.	900228 /QTY.	REPLACEMENT PART/QTY.
1	51131	POSITIONING SEATBELT - BODYPOINT 2 POINT, NON PADDED MEDIUM	1	-	-	-	-	-	-	-	-
2	51211	POSITIONING SEATBELT - BODYPOINT 2 POINT, NON PADDED LARGE	-	1	-	-	-	-	-	-	-
3	51132	POSITIONING SEATBELT - BODYPOINT 2 POINT, PADDED SMALL	-	-	1	-	-	-	-	-	-
4	51133	POSITIONING SEATBELT - BODYPOINT 2 POINT, PADDED MEDIUM	-	-	-	1	-	-	-	-	-
5	51134	POSITIONING SEATBELT - BODYPOINT 2 POINT, PADDED LARGE	-	-	-	-	1	-	-	-	-
6	51212	POSITIONING SEATBELT - BODYPOINT 4 POINT, PADDED SMALL	-	-	-	-	-	1	-	-	-
7	51135	POSITIONING SEATBELT - BODYPOINT 4 POINT, PADDED MEDIUM	-	-	-	-	-	-	1	-	-
8	51136	POSITIONING SEATBELT - BODYPOINT 4 POINT, PADDED LARGE	-	-	-	-	-	-	-	1	-
9	60500	FRAME SAVER ASSEMBLY (PAIR)	1	1	1	1	1	2	2	2	1

900221 To 900222  
Positioning Seatbelt - Bodypoint 2 Point,  
Non Padded, Medium, Large



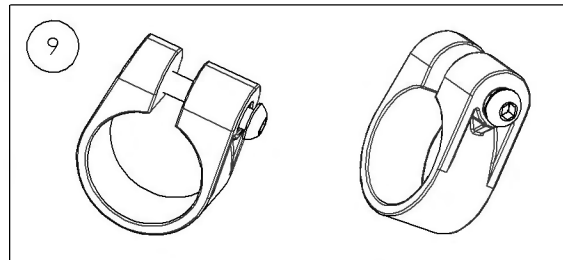
900223 To 900225  
Positioning Seatbelt - Bodypoint 2 Point,  
Padded, Small, Medium, Large



900226 To 900228  
Positioning Seatbelt - Bodypoint 4 Point,  
Padded, Small, Medium, Large

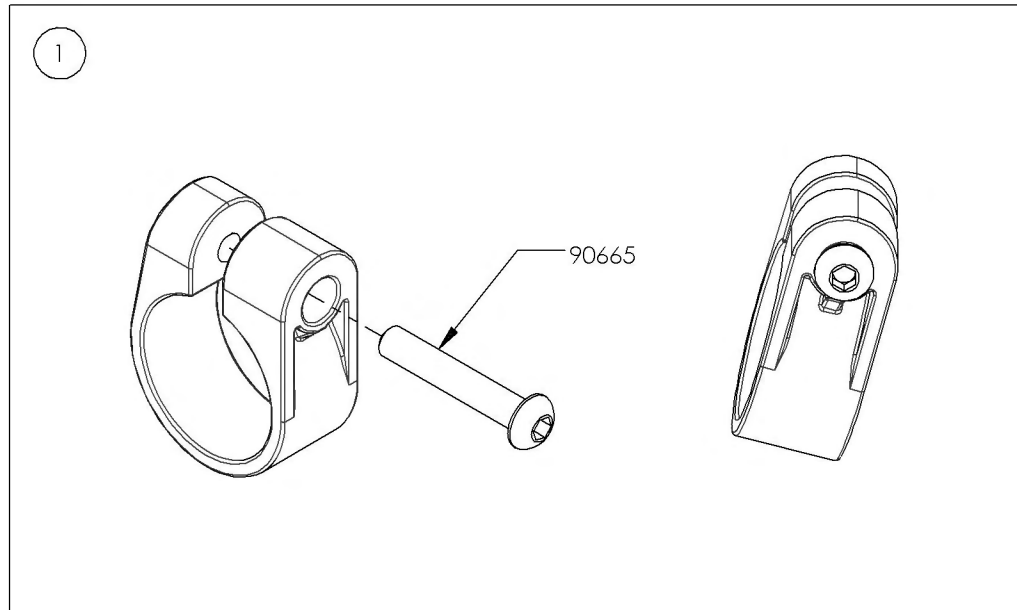


+



**Accessories Catalogue**  
**Positioning Seatbelts - Additional Hardware (2 Composite Clamps)**

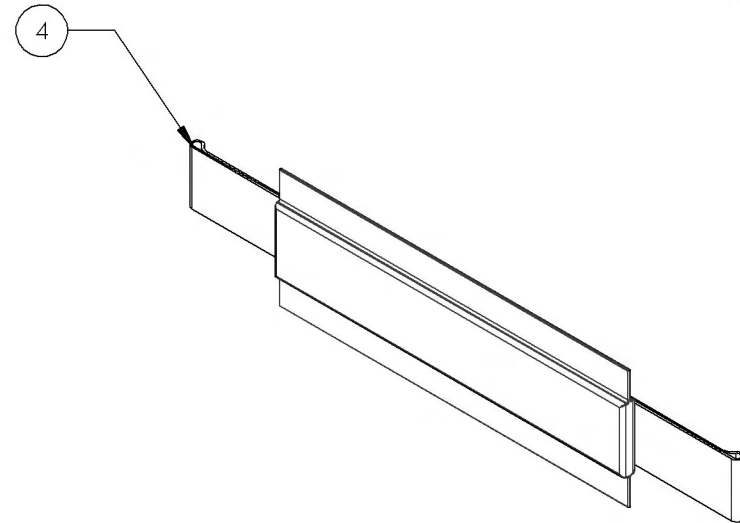
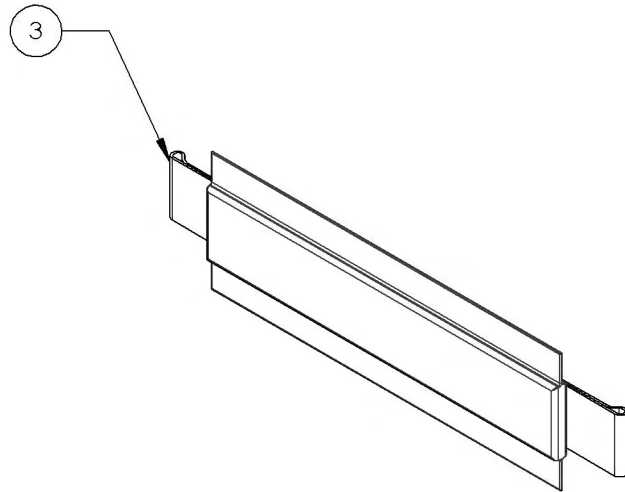
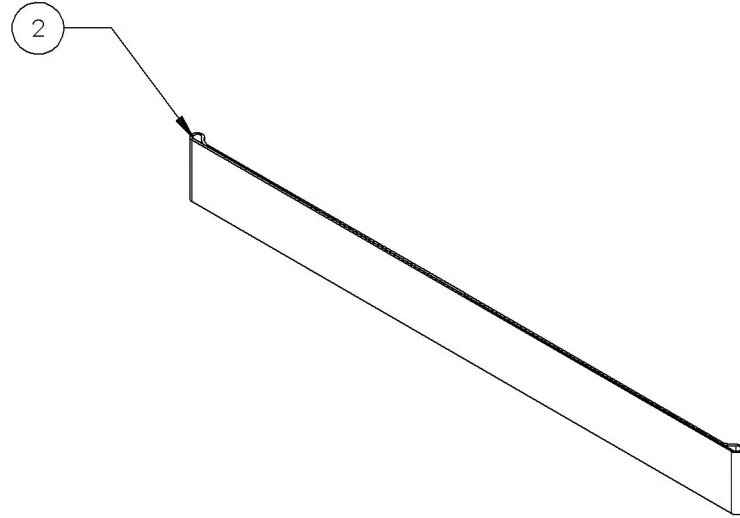
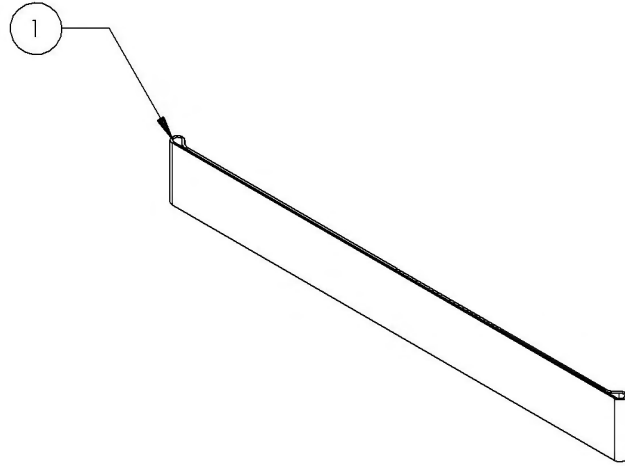
ITEM NO.	PARTNO	DESCRIPTION	QTY.
1	9002220	Positioning Seatbelt - Additional Hardware (2 Composite Clamps)	1



MAKE SURE TO HAVE YOUR SERIAL NUMBER  
NEARBY WHEN ORDERING PARTS FOR YOUR  
MOTION COMPOSITES WHEELCHAIR

**Accessories Catalogue**  
**Calf Straps**

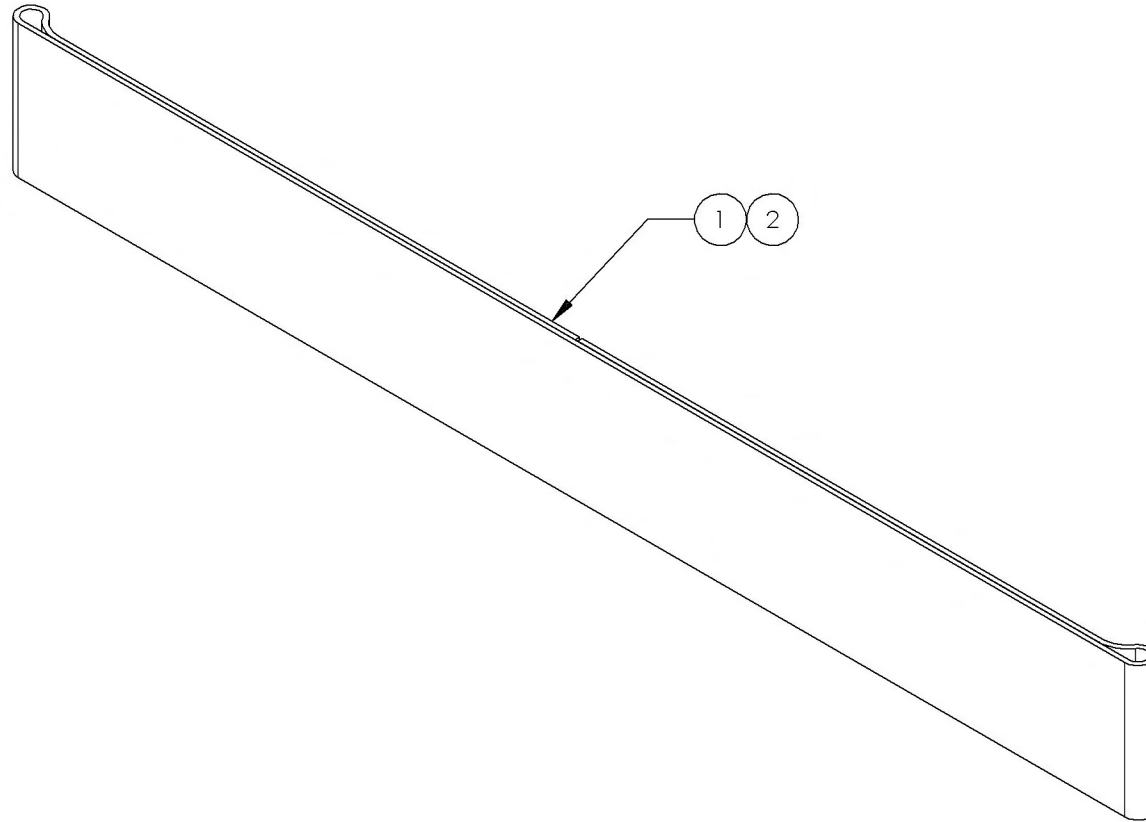
ITEM NO.	PARTNO	DESCRIPTION	QTY.
1	9001412	Calf Strap - Non Padded (Wheelchair Width: 15 to 17 in)	1
2	9001413	Calf Strap - Non Padded (Wheelchair Width: 18 to 20 in)	1
3	9001414	Calf Strap - Padded (Wheelchair Width: 15 to 17 in)	1
4	9001415	Calf Strap - Padded (Wheelchair Width: 18 to 20 in)	1



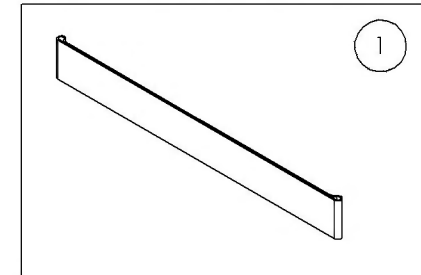
MAKE SURE TO HAVE YOUR SERIAL NUMBER  
 NEARBY WHEN ORDERING PARTS FOR YOUR  
 MOTION COMPOSITES WHEELCHAIR

**9001412\_9001413**  
**Calf Straps - Non Padded**

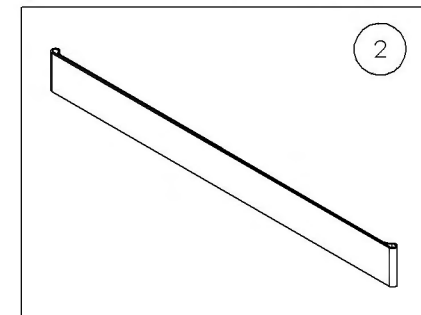
ITEM NO.	PARTNO	DESCRIPTION	9001412 /QTY.	9001413 /QTY.
1	31046	CALF STRAP 15"-17"	1	-
2	31047	CALF STRAP 18"-20"	-	1



9001412  
 Calf Strap - Non Padded  
 (Wheelchair Width: 15 to 17 in)

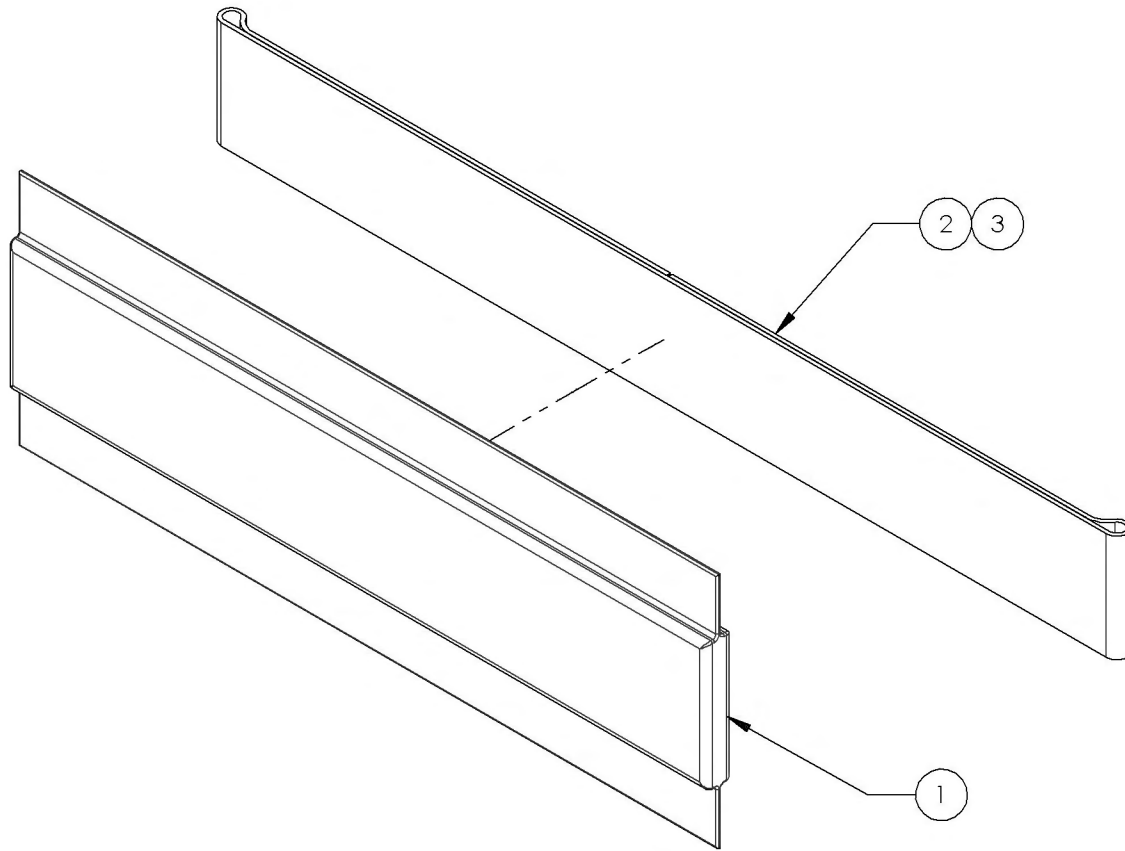


9001413  
 Calf Strap - Non Padded  
 (Wheelchair Width: 18 to 20 in)

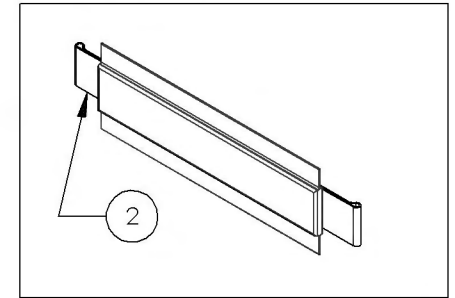


**9001414\_9001415  
Calf Straps - Padded**

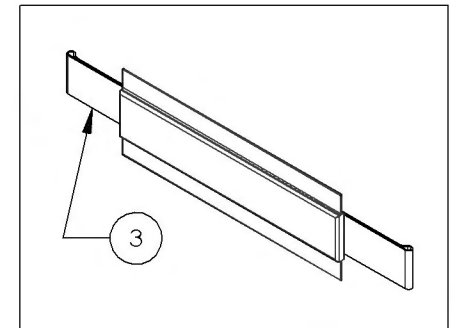
ITEM NO.	PARTNO	DESCRIPTION	9001414 /QTY.	9001415 /QTY.
1	31061	PADDED CALF PAD	1	1
2	31046	CALF STRAP 15"-17"	1	-
3	31047	CALF STRAP 18"-20"	-	1



9001414  
Calf Strap - Padded (Wheelchair  
Width: 15 to 17 in)

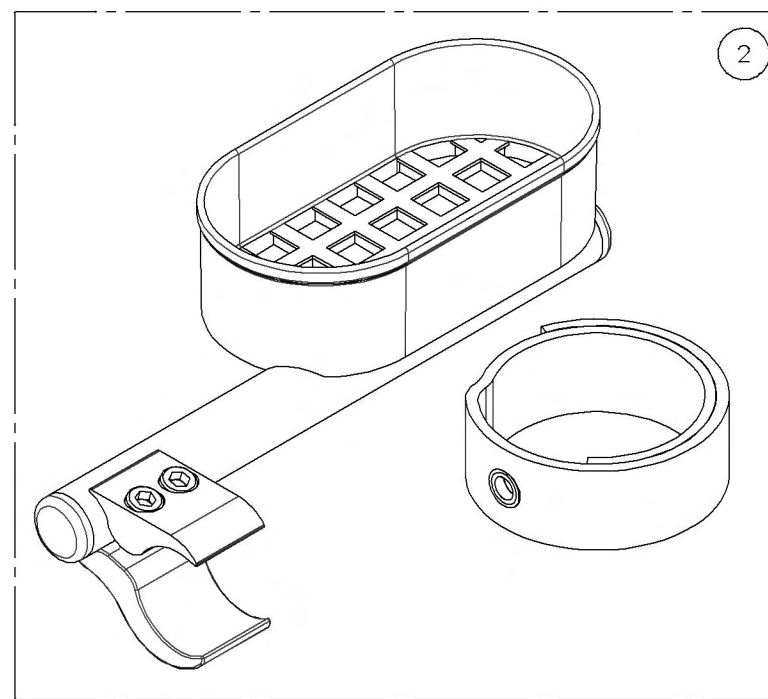
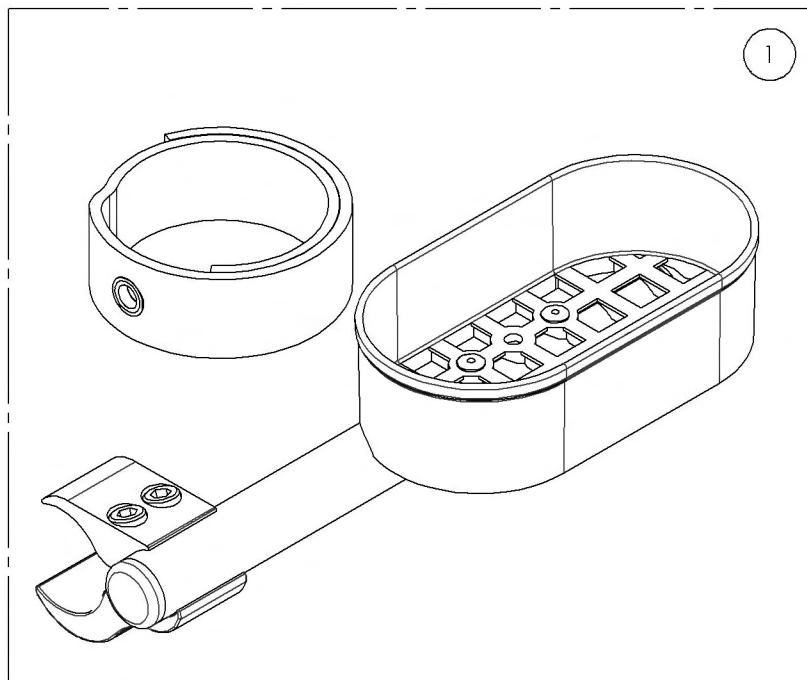


9001415  
Calf Strap - Padded (Wheelchair  
Width: 18 to 20 in)



**Accessories Catalogue**  
**Cane Holders**

ITEM NO.	PARTNO	DESCRIPTION	QTY.
1	9001627	Cane Holder - Right	1
2	9001628	Cane Holder - Left	1

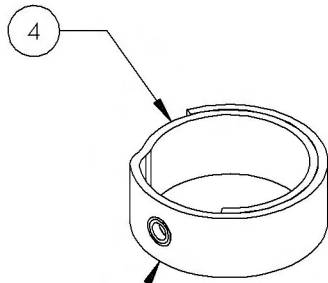


MAKE SURE TO HAVE YOUR SERIAL NUMBER  
NEARBY WHEN ORDERING PARTS FOR YOUR  
MOTION COMPOSITES WHEELCHAIR

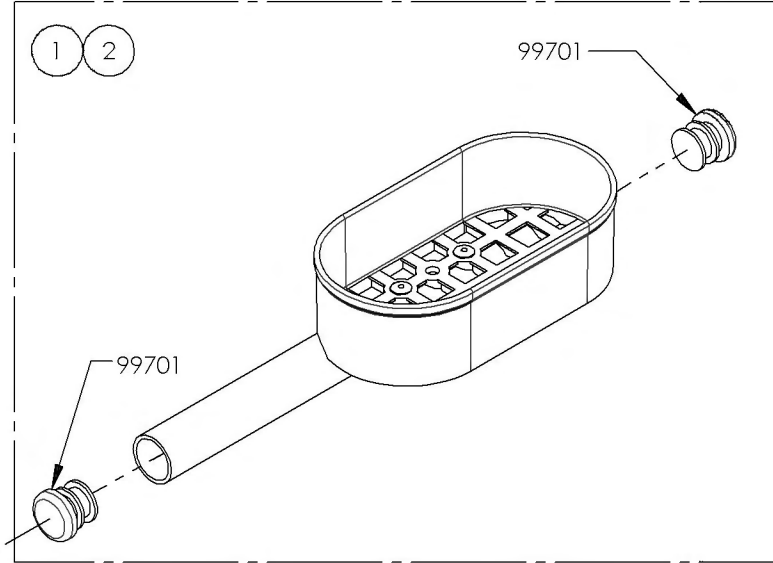
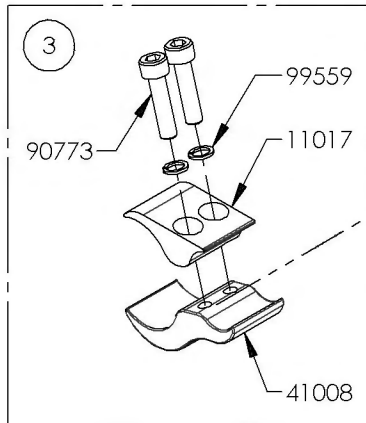


**9001627\_9001628  
Cane Holders**

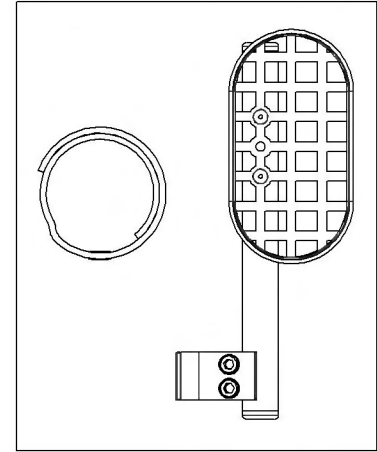
ITEM NO.	PARTNO	DESCRIPTION	9001628 /QTY.	9001627 /QTY.
1	51505	CANE HOLDER RIGHT - ASSEMBLY	-	1
2	51506	CANE HOLDER LEFT - ASSEMBLY	1	-
3	41501	BRAKE CLAMP	1	1
4	51023	CANE HOLDER STRAP	1	1



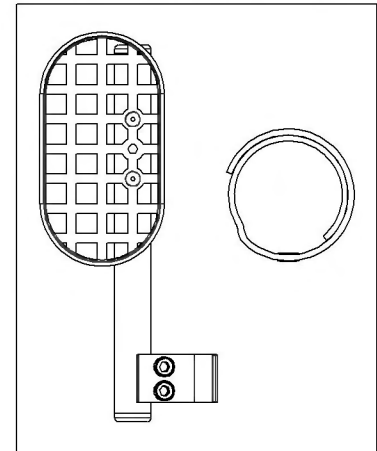
FIXED ON THE BACK OF THE BACK-CANE



9001627 - Cane Holder - Right



9001628 - Cane Holder - Left



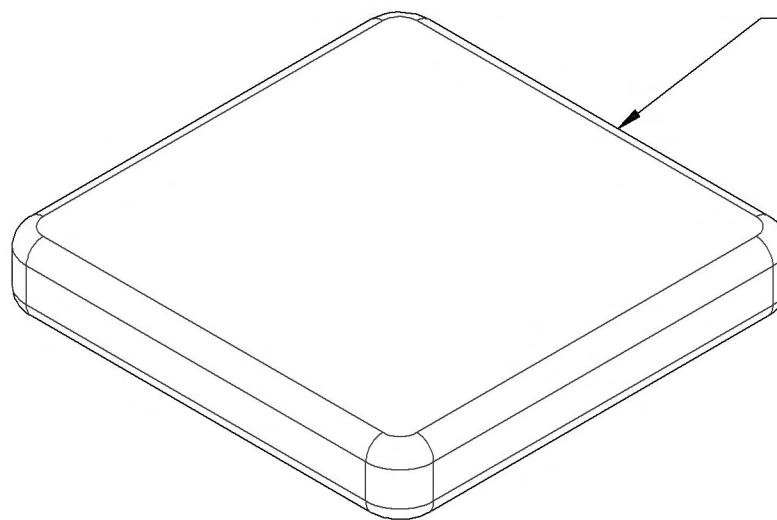
## Accessories Catalogue Closing Straps

ITEM NO.	PARTNO	DESCRIPTION	QTY.
1	9001642	Closing Strap - For Sliding Seat Sling	1
2	9001641	Closing Strap - For Seat Sling With Screw	1

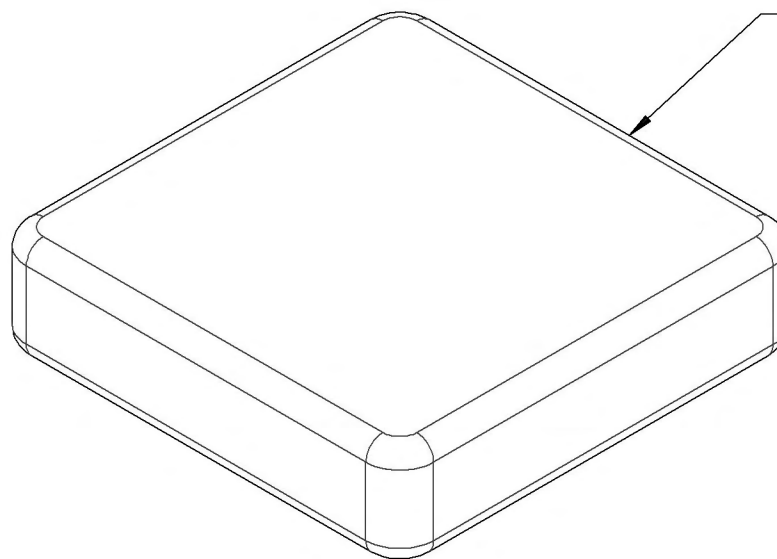


MAKE SURE TO HAVE YOUR SERIAL NUMBER  
NEARBY WHEN ORDERING PARTS FOR YOUR  
MOTION COMPOSITES WHEELCHAIR

**Accessories Catalogue  
Cushions**



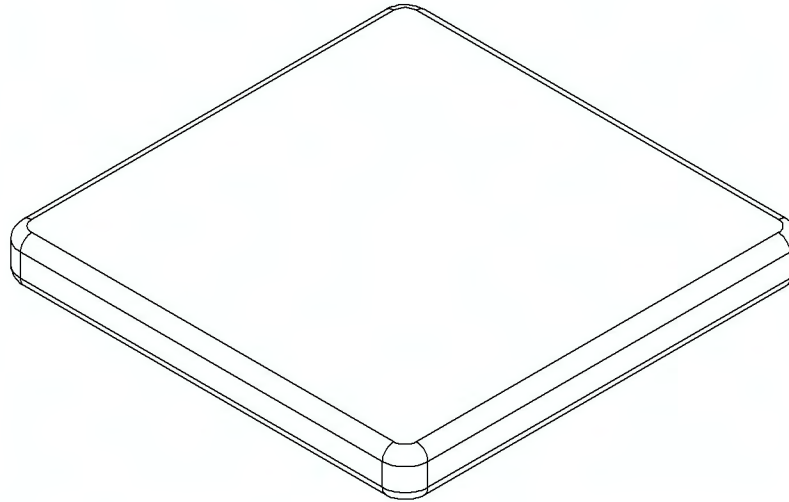
2" CUSHIONS  
REFER TO ITEM  
#9001934\_9002032  
LENGTH & WIDTH



3" CUSHIONS  
REFER TO ITEM  
#9002033\_9002131  
LENGTH & WIDTH

MAKE SURE TO HAVE YOUR SERIAL NUMBER  
NEARBY WHEN ORDERING PARTS FOR YOUR  
MOTION COMPOSITES WHEELCHAIR

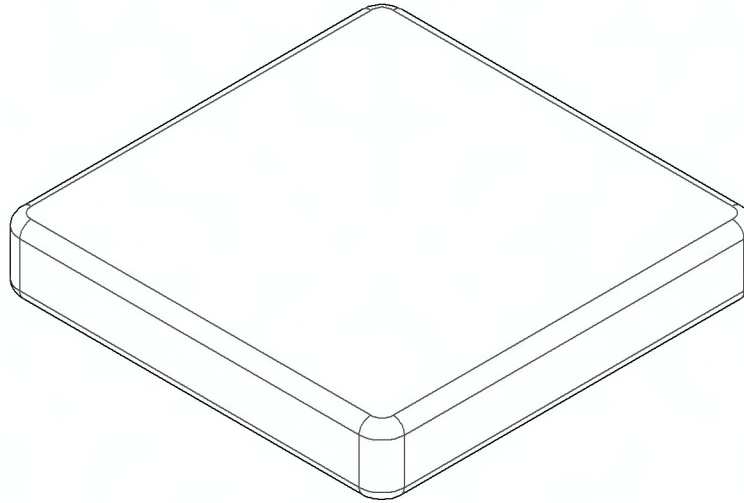
**9001934\_9002032**  
**Cushion - 2 in (Specify Size)**



**2 in CUSHIONS PART NUMBERS FOR THE APPROPRIATE LENGTH AND WIDTH**

		LENGTH in inches (cm)								
		12 (30.5)	13 (33.0)	14 (35.6)	15 (38.1)	16 (40.6)	17 (43.2)	18 (45.7)	19 (48.3)	20 (50.8)
WIDTH in inches (cm)	12 (30.5)	9001934	9001935	9001936	9001937	9001938	9001939	9001940	9001941	9001942
	13 (33.0)	9001943	9001944	9001945	9001946	9001947	9001948	9001949	9001950	9001951
	14 (35.6)	9001952	9001953	9001954	9001955	9001956	9001957	9001958	9001959	9001960
	15 (38.1)	9001961	9001962	9001963	9001964	9001965	9001966	9001967	9001968	9001969
	16 (40.6)	9001970	9001971	9001972	9001973	9001974	9001975	9001976	9001977	9001978
	17 (43.2)	9001979	9001980	9001981	9001982	9001983	9001984	9001985	9001986	9001987
	18 (45.7)	9001988	9001989	9001990	9001991	9001992	9001993	9001994	9001995	9001996
	19 (48.3)	9001997	9001998	9001999	9002000	9002001	9002002	9002003	9002004	9002005
	20 (50.8)	9002006	9002007	9002008	9002009	9002010	9002011	9002012	9002013	9002014
	21 (53.3)	9002015	9002016	9002017	9002018	9002019	9002020	9002021	9002022	9002023
22 (55.9)	9002024	9002025	9002026	9002027	9002028	9002029	9002030	9002031	9002032	

**9002033\_9002131**  
**Cushion - 3 in (Specify Size)**

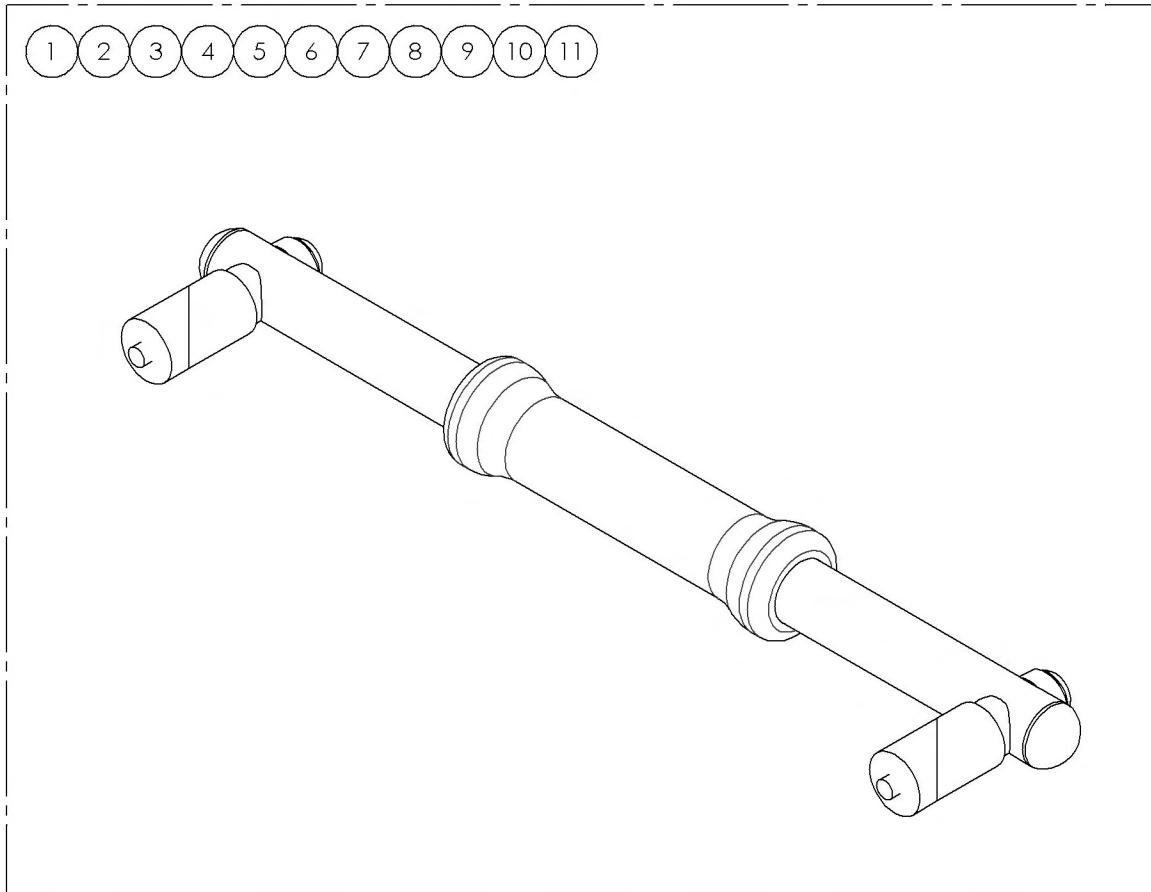


**3 in CUSHIONS PART NUMBERS FOR THE APPROPRIATE LENGTH AND WIDTH**

		LENGTH in inches (cm)								
		12 (30.5)	13 (33.0)	14 (35.6)	15 (38.1)	16 (40.6)	17 (43.2)	18 (45.7)	19 (48.3)	20 (50.8)
<b>WIDTH</b> in inches (cm)	12 (30.5)	9002033	9002034	9002035	9002036	9002037	9002038	9002039	9002040	9002041
	13 (33.0)	9002042	9002043	9002044	9002045	9002046	9002047	9002048	9002049	9002050
	14 (35.6)	9002051	9002052	9002053	9002054	9002055	9002056	9002057	9002058	9002059
	15 (38.1)	9002060	9002061	9002062	9002063	9002064	9002065	9002066	9002067	9002068
	16 (40.6)	9002069	9002070	9002071	9002072	9002073	9002074	9002075	9002076	9002077
	17 (43.2)	9002078	9002079	9002080	9002081	9002082	9002083	9002084	9002085	9002086
	18 (45.7)	9002087	9002088	9002089	9002090	9002091	9002092	9002093	9002094	9002095
	19 (48.3)	9002096	9002097	9002098	9002099	9002100	9002101	9002102	9002103	9002104
	20 (50.8)	9002105	9002106	9002107	9002108	9002109	9002110	9002111	9002112	9002113
	21 (53.3)	9002114	9002115	9002116	9002117	9002118	9002119	9002120	9002121	9002122
22 (55.9)	9002123	9002124	9002125	9002126	9002127	9002128	9002129	9002130	9002131	

**Accessories Catalogue**  
**Stabilizer Bars - Folding**

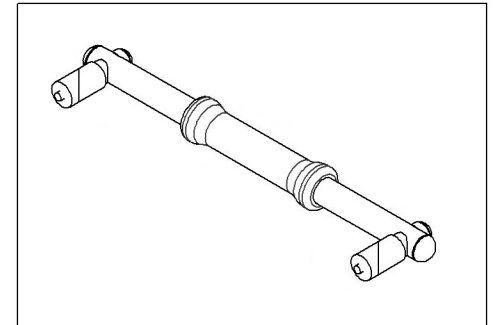
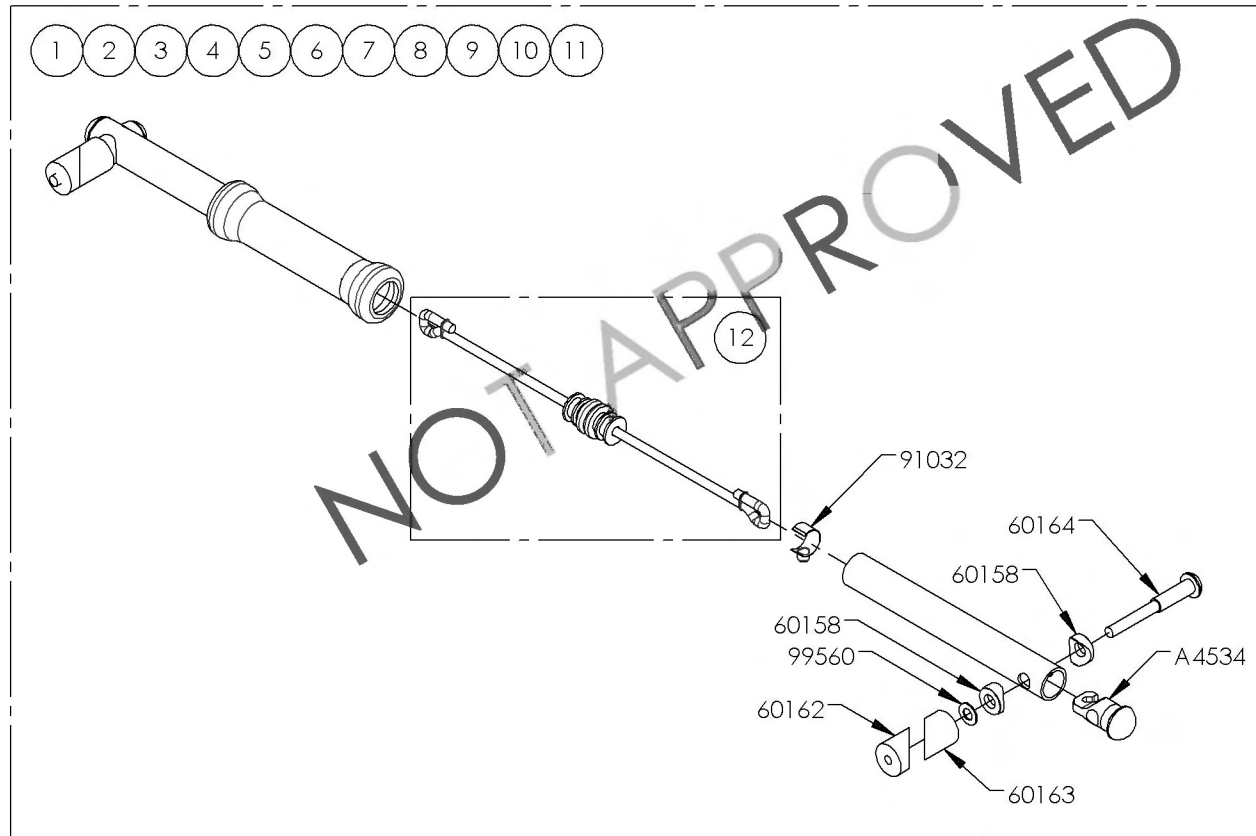
ITEM NO.	PARTNO	DESCRIPTION	QTY.
1	9001594	Stabilizer Bar - Folding, 12 in	1
2	9001595	Stabilizer Bar - Folding, 13 in	1
3	9001596	Stabilizer Bar - Folding, 14 in	1
4	9001597	Stabilizer Bar - Folding, 15 in	1
5	9001598	Stabilizer Bar - Folding, 16 in	1
6	9001599	Stabilizer Bar - Folding, 17 in	1
7	9001600	Stabilizer Bar - Folding, 18 in	1
8	9001601	Stabilizer Bar - Folding, 19 in	1
9	9001602	Stabilizer Bar - Folding, 20 in	1
10	9001603	Stabilizer Bar - Folding, 21 in	1
11	9001604	Stabilizer Bar - Folding, 22 in	1



MAKE SURE TO HAVE YOUR SERIAL NUMBER  
 NEARBY WHEN ORDERING PARTS FOR YOUR  
 MOTION COMPOSITES WHEELCHAIR

**9001594\_9001604  
Stabilizer Bars - Folding**

ITEM NO.	PARTNO	DESCRIPTION	9001594 /QTY.	9001595 /QTY.	9001596 /QTY.	9001597 /QTY.	9001598 /QTY.	9001599 /QTY.	9001600 /QTY.	9001601 /QTY.	9001602 /QTY.	9001603 /QTY.	9001604 /QTY.	REPLACEMENT PARTS/QTY.
1	60704	NEWTON FOLDING STABILIZER BAR 12" - ASSEMBLY	1	-	-	-	-	-	-	-	-	-	-	-
2	60705	NEWTON FOLDING STABILIZER BAR 13" - ASSEMBLY	-	1	-	-	-	-	-	-	-	-	-	-
3	60706	NEWTON FOLDING STABILIZER BAR 14" - ASSEMBLY	-	-	1	-	-	-	-	-	-	-	-	-
4	60707	NEWTON FOLDING STABILIZER BAR 15" - ASSEMBLY	-	-	-	1	-	-	-	-	-	-	-	-
5	60708	NEWTON FOLDING STABILIZER BAR 16" - ASSEMBLY	-	-	-	-	1	-	-	-	-	-	-	-
6	60709	NEWTON FOLDING STABILIZER BAR 17" - ASSEMBLY	-	-	-	-	-	1	-	-	-	-	-	-
7	60710	NEWTON FOLDING STABILIZER BAR 18" - ASSEMBLY	-	-	-	-	-	-	1	-	-	-	-	-
8	60711	NEWTON FOLDING STABILIZER BAR 19" - ASSEMBLY	-	-	-	-	-	-	-	1	-	-	-	-
9	60712	NEWTON FOLDING STABILIZER BAR 20" - ASSEMBLY	-	-	-	-	-	-	-	-	1	-	-	-
10	60713	NEWTON FOLDING STABILIZER BAR 21" - ASSEMBLY	-	-	-	-	-	-	-	-	-	1	-	-
11	60714	NEWTON FOLDING STABILIZER BAR 22" - ASSEMBLY	-	-	-	-	-	-	-	-	-	-	1	-
12	60168	TENSION BAR ROPE	-	-	-	-	-	-	-	-	-	-	-	1



**Accessories Catalogue**  
**Veloce Footrest Neopren Impact Guard**

ITEM NO.	PARTNO	DESCRIPTION	QTY.
1	9002194	Front Frame Impact Guard - Neoprene - Red Graphic	1
2	9002195	Front Frame Impact Guard - Neoprene - Grey Graphic	1
3	9002196	Front Frame Impact Guard - Neoprene - Blue Graphic	1
4	9002197	Front Frame Impact Guard - Neoprene - Green Graphic	1

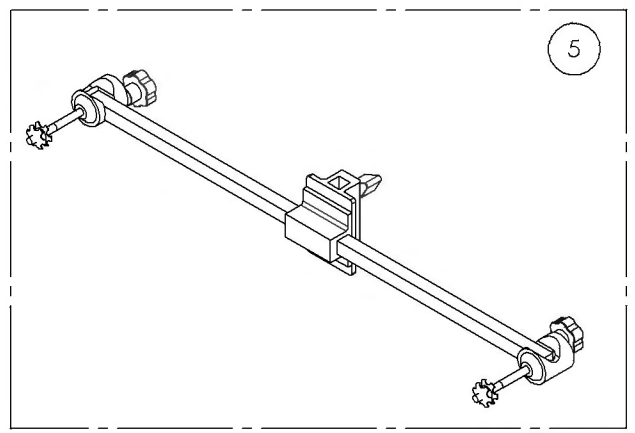
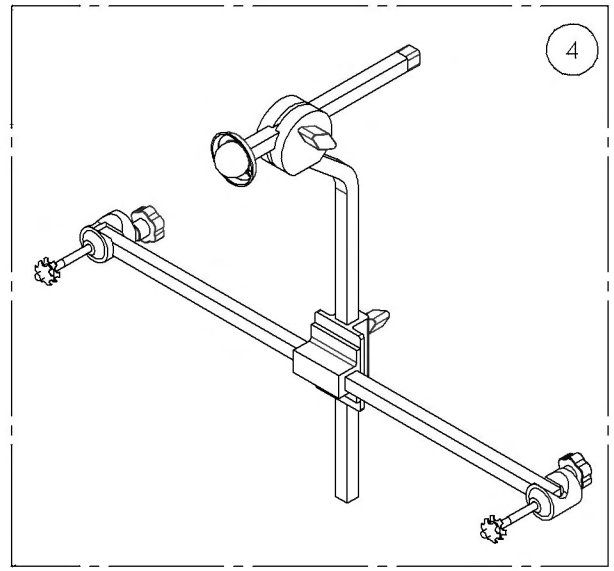
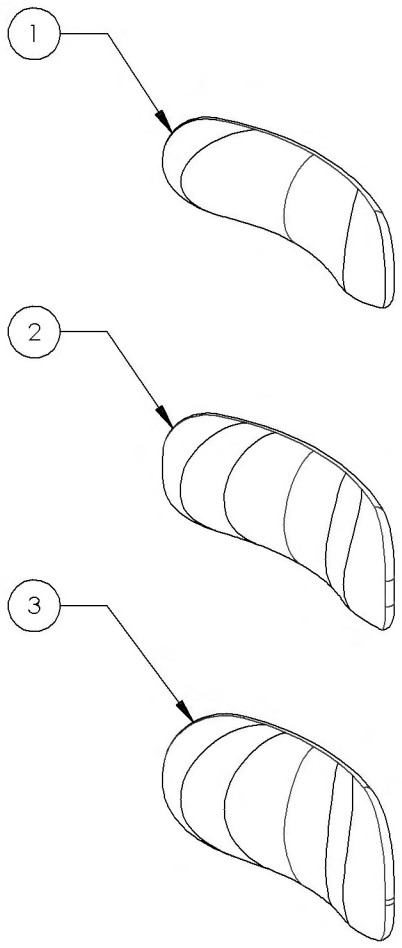


MAKE SURE TO HAVE YOUR SERIAL NUMBER  
 NEARBY WHEN ORDERING PARTS FOR YOUR  
 MOTION COMPOSITES WHEELCHAIR



**Accessories Catalogue**  
**Head Rests**

ITEM NO.	PARTNO	DESCRIPTION	QTY.
1	9001589	Head Rest Pad - Small	1
2	9001590	Head Rest Pad - Medium	1
3	9001591	Head Rest Pad - Large	1
4	9001592	Stabilizer Bar - Non-Folding, With Anchor Plate & Swivel Mount Kit	1
5	9001593	Stabilizer Bar - Non-Folding, With Anchor Plate Kit	1



MAKE SURE TO HAVE YOUR SERIAL NUMBER  
 NEARBY WHEN ORDERING PARTS FOR YOUR  
 MOTION COMPOSITES WHEELCHAIR

**Accessories Catalogue**  
**Seat Pouch**

ITEM NO.	PARTNO	DESCRIPTION	QTY.
1	9001634	Seat Pouch	1

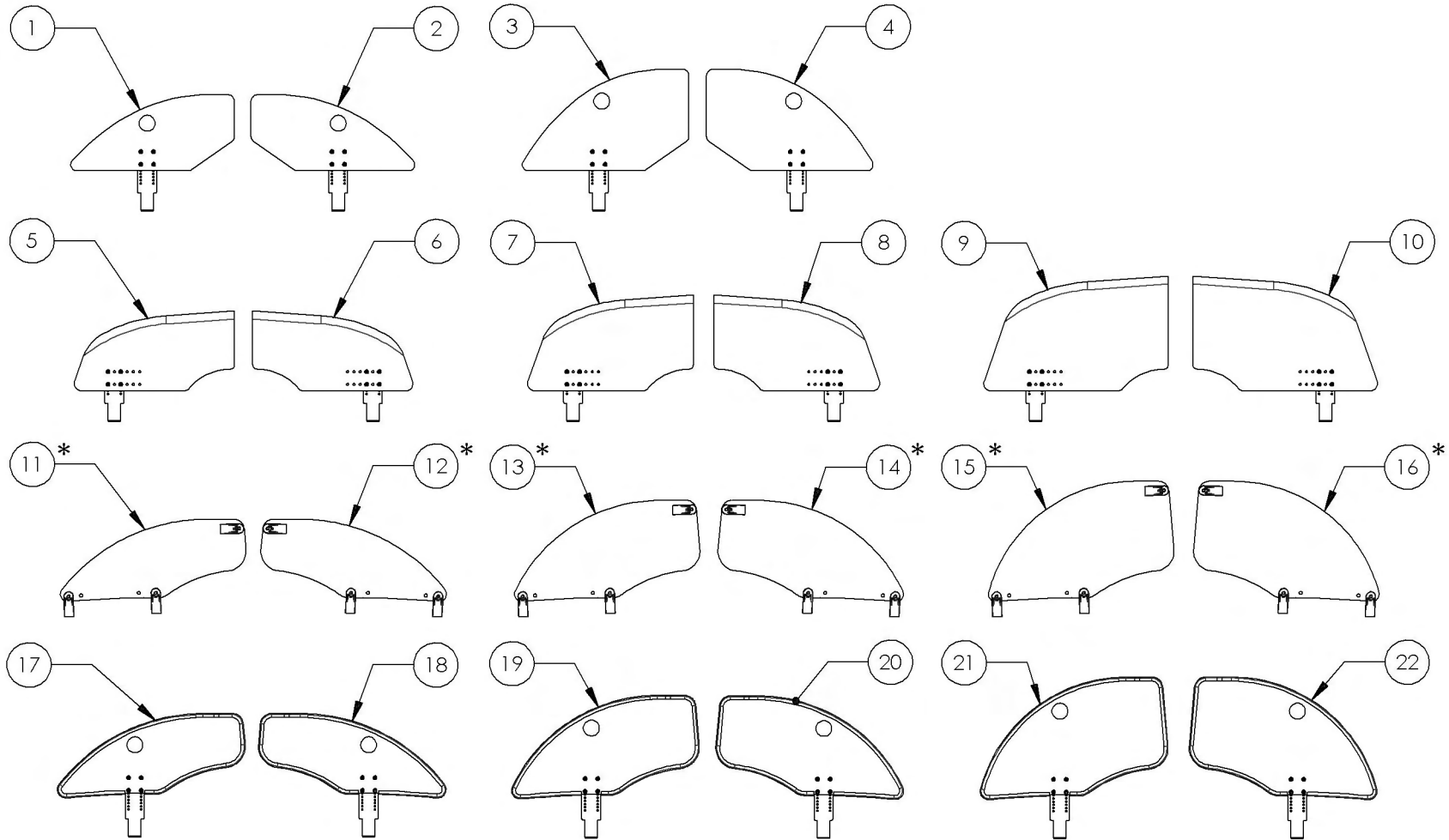


MAKE SURE TO HAVE YOUR SERIAL NUMBER  
NEARBY WHEN ORDERING PARTS FOR YOUR  
MOTION COMPOSITES WHEELCHAIR

# Accessories Catalogue Sideguards & Mudguards

ITEM NO.	PARTNO	DESCRIPTION	QTY.
1	9001295	Removable Side Guard - Plastic, Right, Medium	1
2	9001297	Removable Side Guard - Plastic, Left, Medium	1
3	9001296	Removable Side Guard - Plastic, Right, Large	1
4	9001298	Removable Side Guard - Plastic, Left, Large	1
5	9001319	Mud Guard - Carbon Fiber, Right, Small	1
6	9001322	Mud Guard - Carbon Fiber, Left, Small	1
7	9001320	Mud Guard - Carbon Fiber, Right, Medium	1
8	9001323	Mud Guard - Carbon Fiber, Left, Medium	1
9	9001321	Mud Guard - Carbon Fiber, Right, Large	1
10	9001324	Mud Guard - Carbon Fiber, Left, Large	1
11	9001289	Fixed Side Guard - Carbon Fiber, Right, Small	1

ITEM NO.	PARTNO	DESCRIPTION	QTY.
12	9001292	Fixed Side Guard - Carbon Fiber, Left, Small	1
13	9001290	Fixed Side Guard - Carbon Fiber, Right, Medium	1
14	9001293	Fixed Side Guard - Carbon Fiber, Left, Medium	1
15	9001291	Fixed Side Guard - Carbon Fiber, Right, Large	1
16	9001294	Fixed Side Guard - Carbon Fiber, Left, Large	1
17	9002489	Removable Side Guard - Carbon Fiber, Right, Small	1
18	9002492	Removable Side Guard - Carbon Fiber, Left, Small	1
19	9002490	Removable Side Guard - Carbon Fiber, Right, Medium	1
20	9002493	Removable Side Guard - Carbon Fiber, Left, Medium	1
21	9002491	Removable Side Guard - Carbon Fiber, Right, Large	1
22	9002494	Removable Side Guard - Carbon Fiber, Left, Large	1

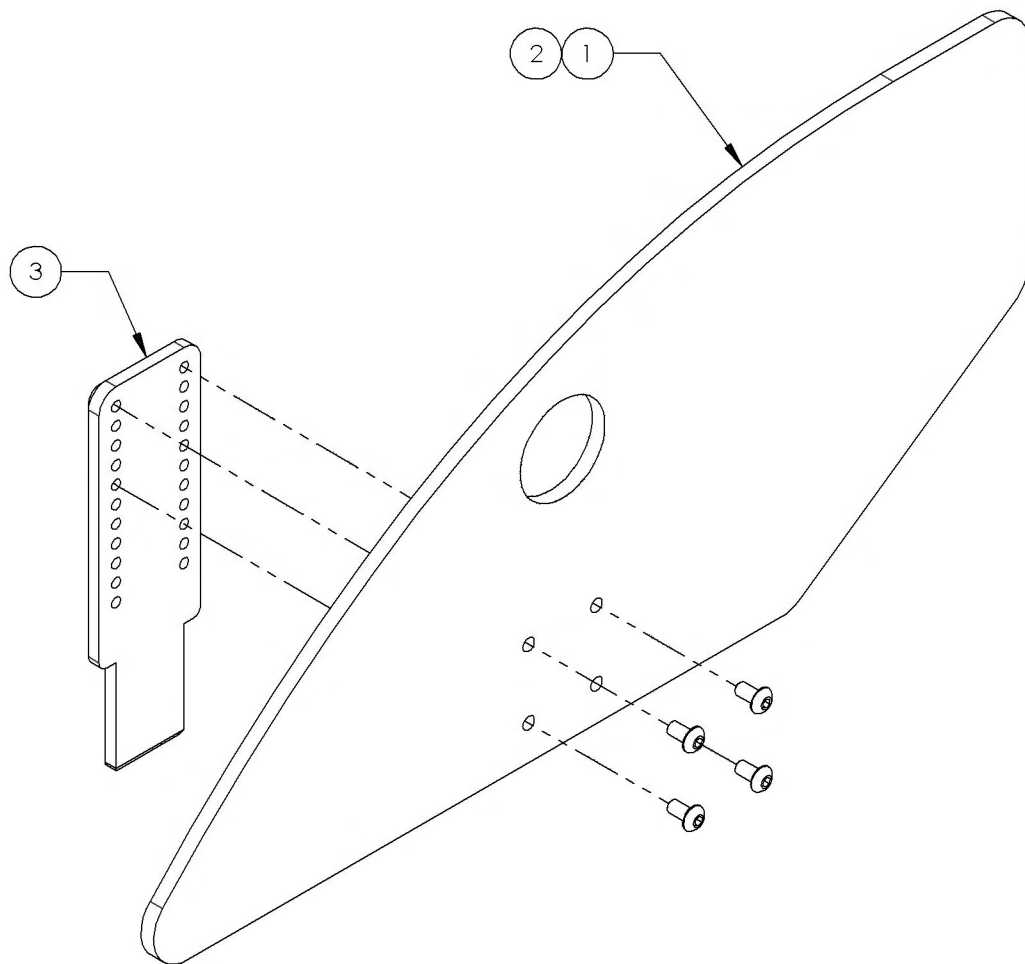


\* : NOT AVAILABLE FOR KIDS WHEELCHAIRS

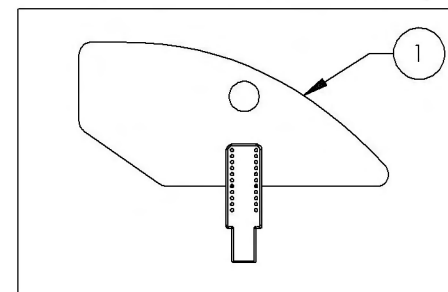
MAKE SURE TO HAVE YOUR SERIAL NUMBER NEARBY WHEN ORDERING PARTS FOR YOUR MOTION COMPOSITES WHEELCHAIR

**9001295\_9001296**  
**Removable Side Guard - Plastic, Right**

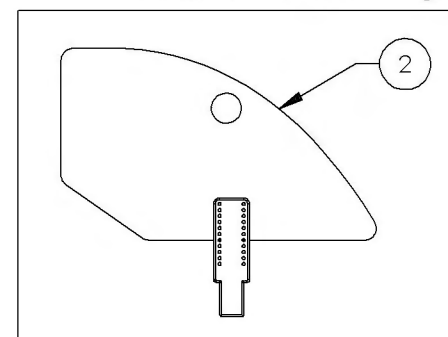
ITEM NO.	PARTNO	DESCRIPTION	9001295 /QTY.	9001296 /QTY.
1	51002	RIGID PLASTIC SIDE GUARD MEDIUM, H-152mm L-328mm	1	-
2	51003	RIGID PLASTIC SIDE GUARD LARGE, H-203mm L-333mm	-	1
3	51118	MUDGUARD & SIDEGUARD ADJUSTING PLATE	1	1
4	90631	BUTTON HEAD CAP SCREW M4X0.7 X 8mm LONG, FULLY THREADED	4	4



9001295  
 Removable Side Guard - Plastic, Right, Medium

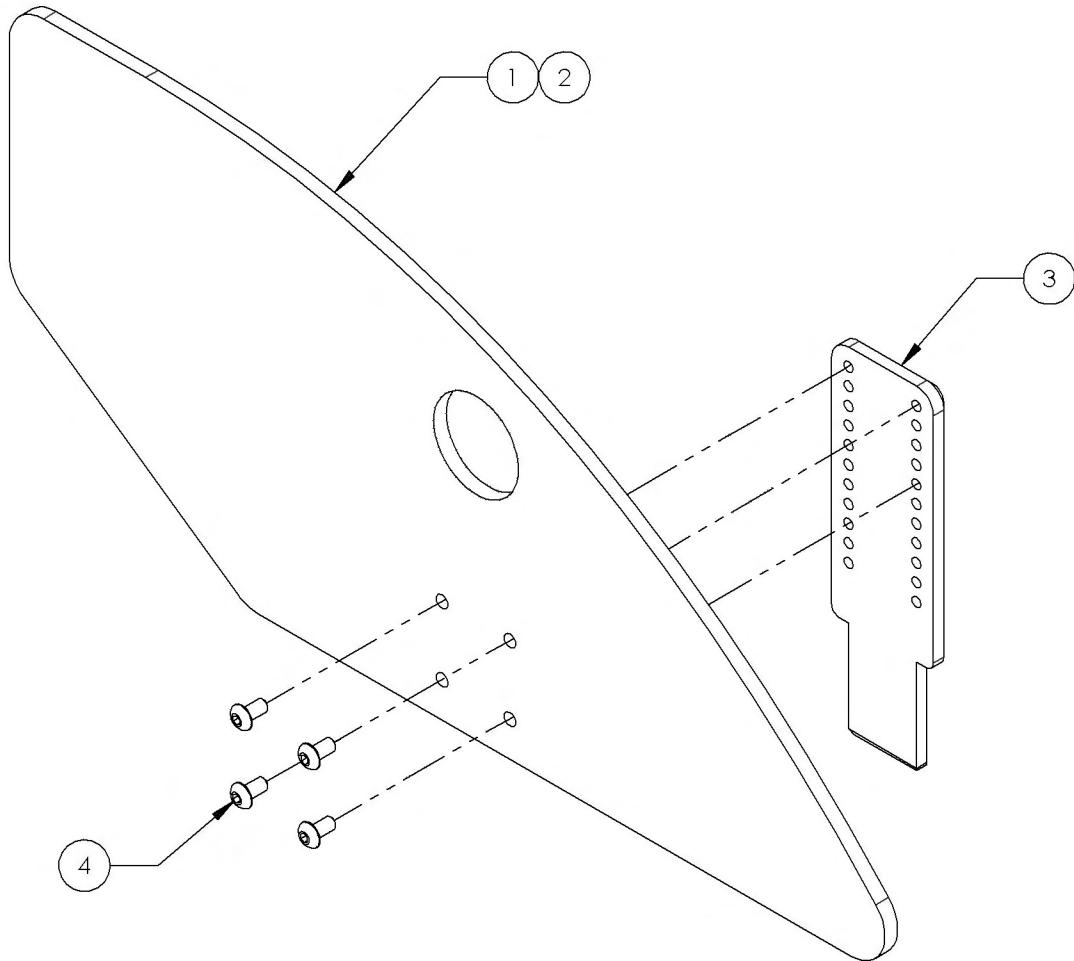


9001296  
 Removable Side Guard - Plastic, Right, Large

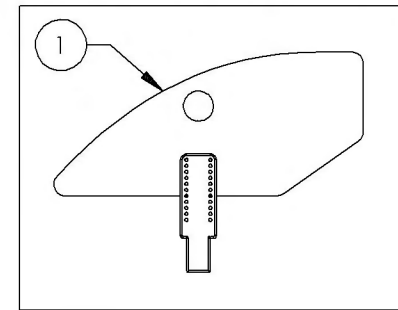


**9001297\_9001298**  
**Removable Side Guard - Plastic, Left**

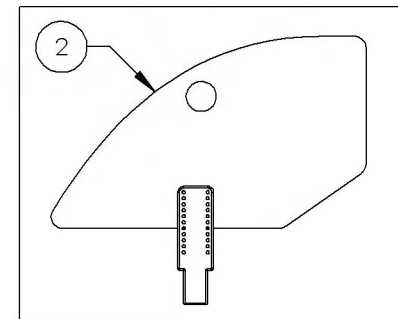
ITEM NO.	PARTNO	DESCRIPTION	9001297 /QTY.	9001298 /QTY.
1	51002	RIGID PLASTIC SIDE GUARD MEDIUM, H-152mm L-328mm	1	-
2	51003	RIGID PLASTIC SIDE GUARD LARGE, H-203mm L-333mm	-	1
3	51118	MUDGUARD & SIDEGUARD ADJUSTING PLATE	1	1
4	90631	BUTTON HEAD CAP SCREW M4X0.7 X 8mm LONG, FULLY THREADED	4	4



9001297  
 Removable Side Guard - Plastic, Left, Medium

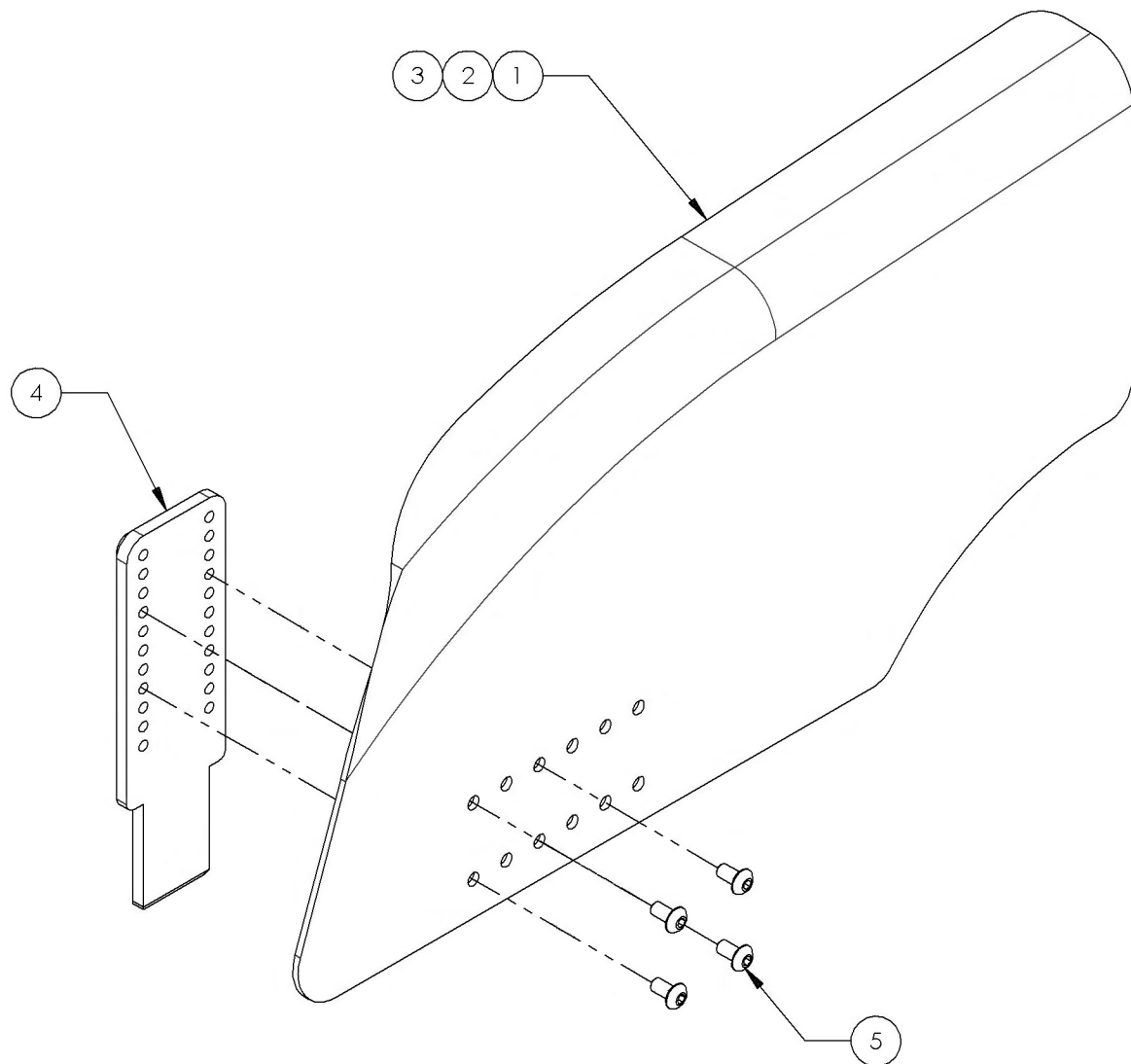


9001298  
 Removable Side Guard - Plastic, Left, Large

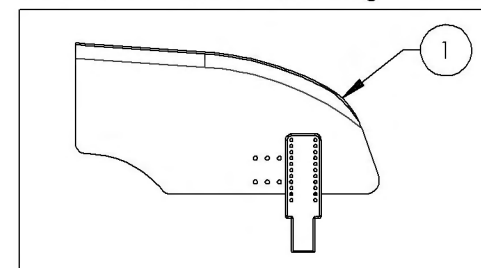


**9001319\_9001321**  
**Mud Guard - Carbon Fiber, Right**

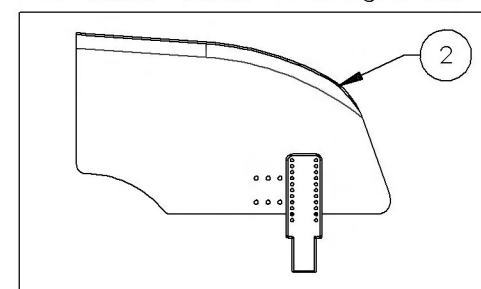
ITEM NO.	PARTNO	DESCRIPTION	9001319 /QTY.	9001320 /QTY.	9001321 /QTY.
1	51106	SMALL CARBON FIBER RIGHT MUDGUARD, H-160mm L-321mm	1	-	-
2	51108	MEDIUM CARBON FIBER RIGHT MUDGUARD, H-192mm L-332mm	-	1	-
3	51110	LARGE CARBON FIBER RIGHT MUDGUARD, H-230mm L-370mm	-	-	1
4	51118	MUDGUARD & SIDEGUARD ADJUSTING PLATE	1	1	1
5	90631	BUTTON HEAD CAP SCREW M4X0.7 X 8mm LONG, FULLY THREADED	4	4	4



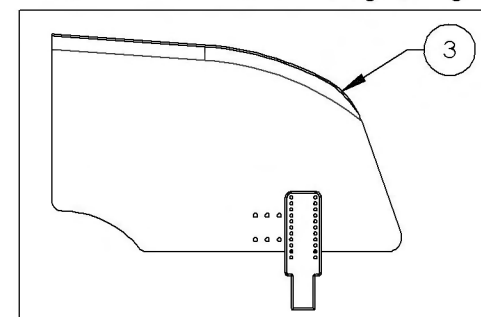
9001319  
Mud Guard - Carbon Fiber, Right, Small



9001320  
Mud Guard - Carbon Fiber, Right, Medium

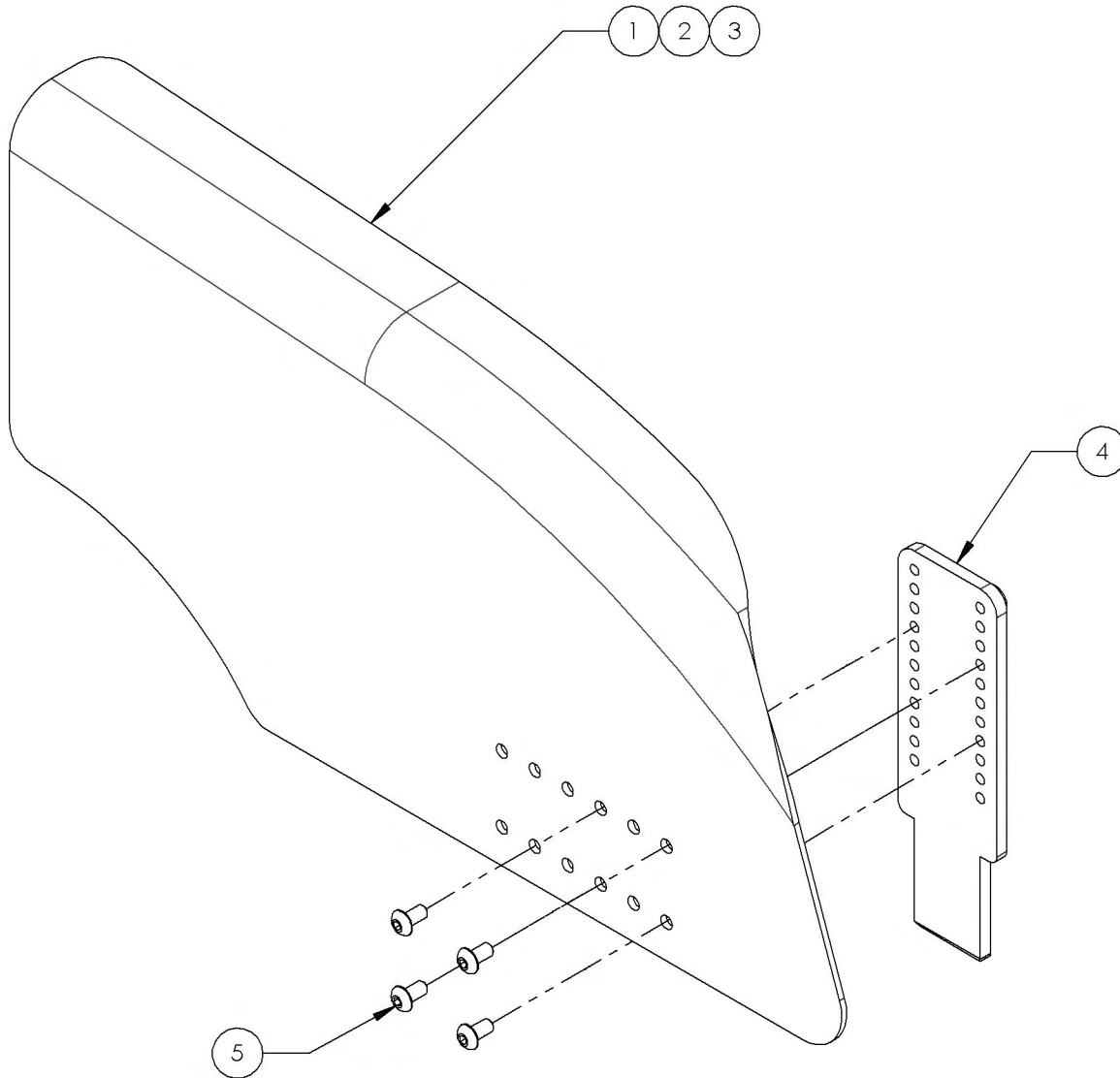


9001321  
Mud Guard - Carbon Fiber, Right, Large



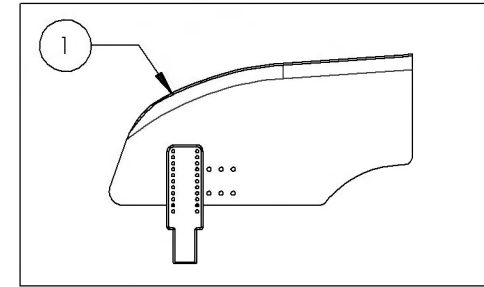
**9001322\_9001324**  
**Mud Guard - Carbon Fiber, Left**

ITEM NO.	PARTNO	DESCRIPTION	9001322 /QTY.	9001323 /QTY.	9001324 /QTY.
1	51107	SMALL CARBON FIBER LEFT MUDGUARD, H-1600mm L-321mm	1	-	-
2	51109	MEDIUM CARBON FIBER LEFT MUDGUARD, H-192mm L-332mm	-	1	-
3	51111	LARGE CARBON FIBER LEFT MUDGUARD, H-230mm L-370mm	-	-	1
4	51118	MUDGUARD & SIDEGUARD ADJUSTING PLATE	1	1	1
5	90631	BUTTON HEAD CAP SCREW M4X0.7 X 8mm LONG, FULLY THREADED	4	4	4



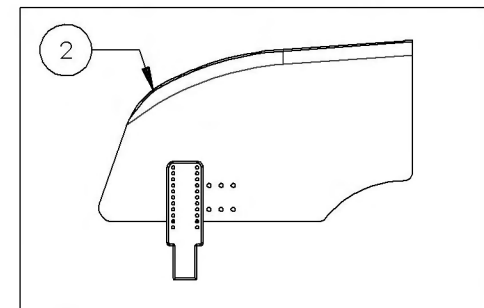
9001322

Mud Guard - Carbon Fiber, Left, Small



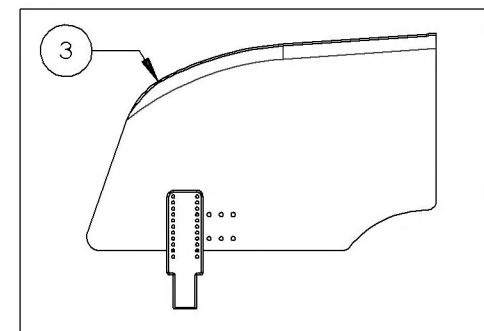
9001323

Mud Guard - Carbon Fiber, Left, Medium



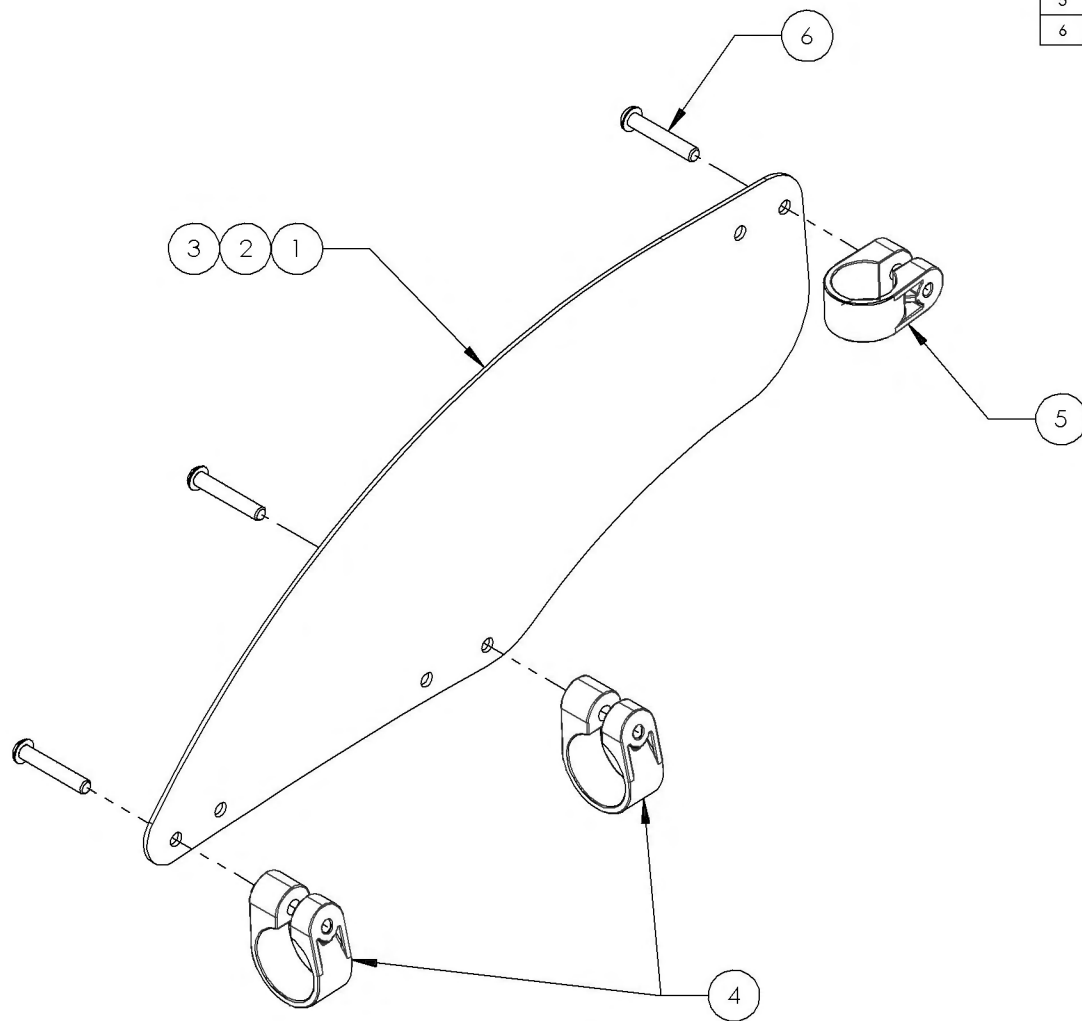
9001324

Mud Guard - Carbon Fiber, Left, Large

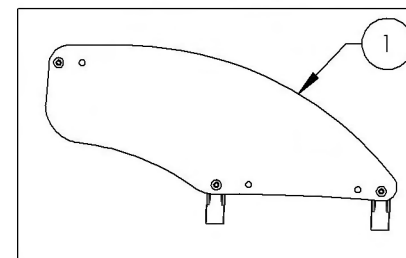


**9001289\_9001291**  
**Side Guard - Carbon Fiber, Right**

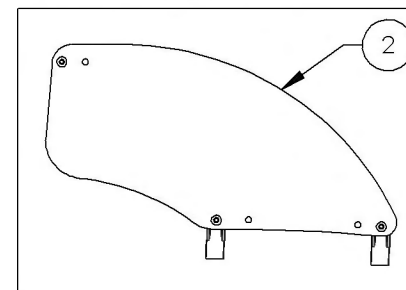
ITEM NO.	PARTNO	DESCRIPTION	9001289 /QTY.	9001290 /QTY.	9001291 /QTY.
1	51112	SMALL CARBON FIBER SIDEGUARD, H-165mm L-372mm	1	-	-
2	51113	MEDIUM CARBON FIBER SIDEGUARD, H-203mm L-372mm	-	1	-
3	51232	LARGE FIXED CARBON FIBER SIDEGUARD, H-241mm L-372mm	-	-	1
4	60201	FRAME SAVER	2	2	2
5	60202	FRAME SAVER 1"	1	1	1
6	90665	BUTTON HEAD CAP SCREW M6X1 X 35mm LONG, 24mm THREADED	3	3	3



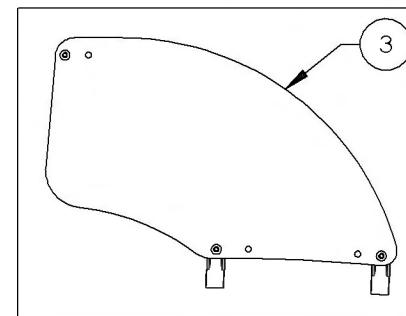
9001289  
 Fixed Side Guard - Carbon Fiber, Right, Small



9001290  
 Fixed Side Guard - Carbon Fiber, Right, Medium



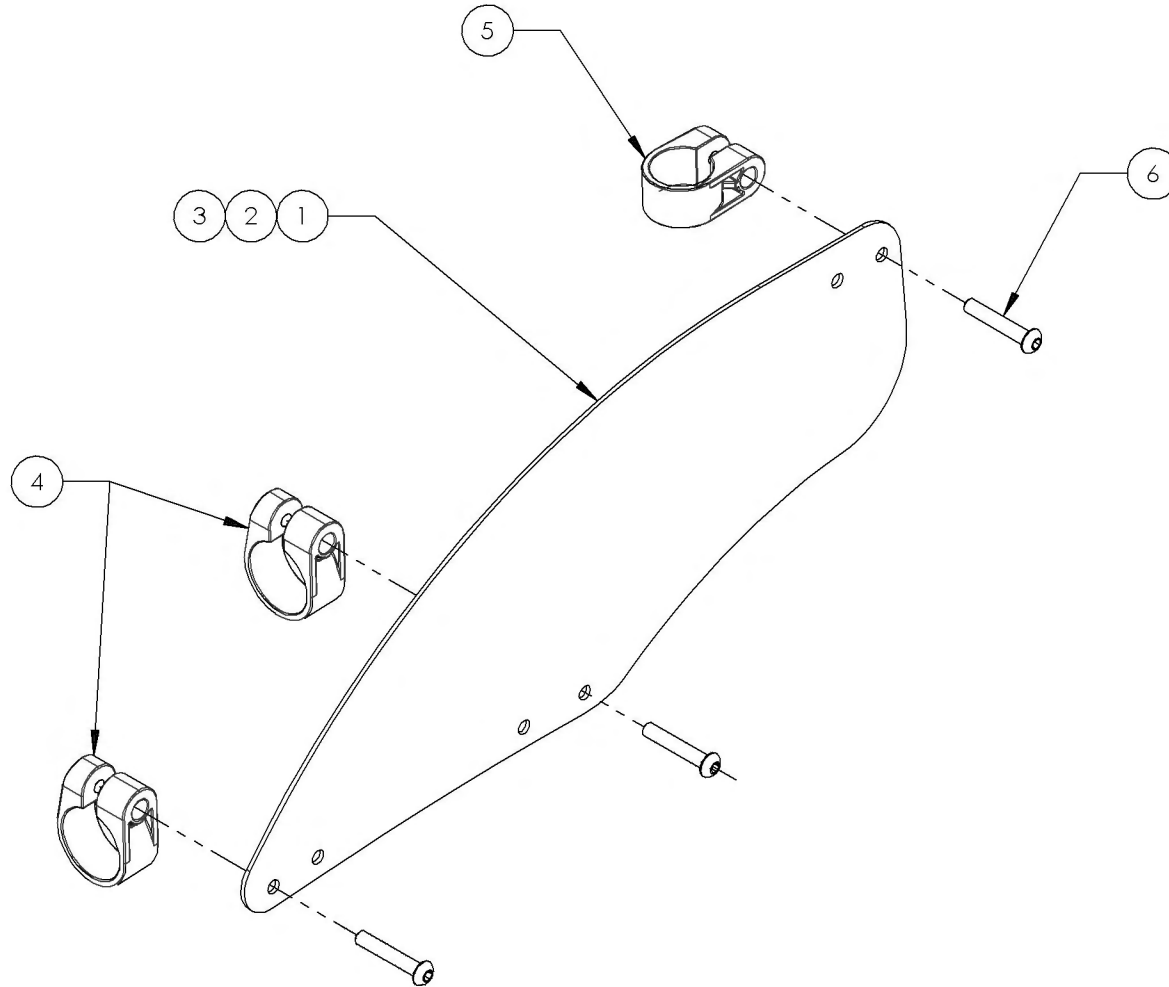
9001291  
 Fixed Side Guard - Carbon Fiber, Right, Large



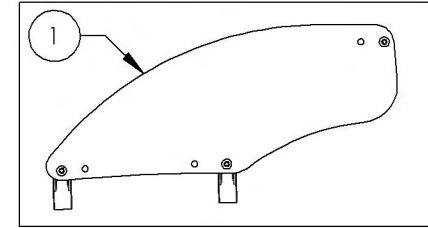


**9001292\_9001294**  
**Fixed Side Guard - Carbon Fiber, Left**

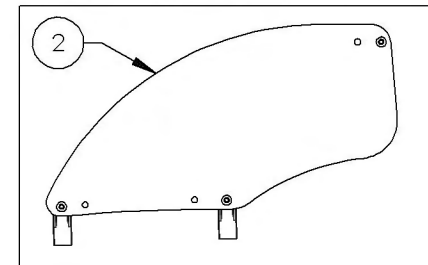
ITEM NO.	PARTNO	DESCRIPTION	9001292 /QTY.	9001293 /QTY.	9001294 /QTY.
1	51112	SMALL CARBON FIBER SIDEGUARD, H-165mm L-372mm	1	-	-
2	51113	MEDIUM CARBON FIBER SIDEGUARD, H-203mm L-372mm	-	1	-
3	51114	LARGE CARBON FIBER SIDEGUARD, H-241mm L-372mm	-	-	1
4	60201	FRAME SAVER	2	2	2
5	60202	FRAME SAVER 1"	1	1	1
6	90665	BUTTON HEAD CAP SCREW M6X1 X 35mm LONG, 24mm THREADED	3	3	3



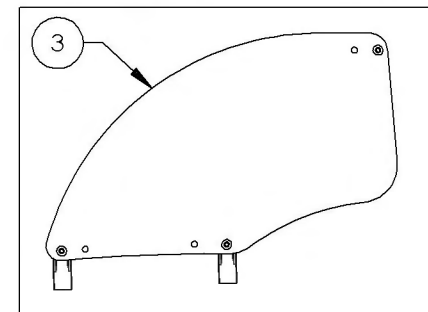
9001292  
 Fixed Side Guard - Carbon Fiber, Left, Small



9001293  
 Fixed Side Guard - Carbon Fiber, Left, Medium

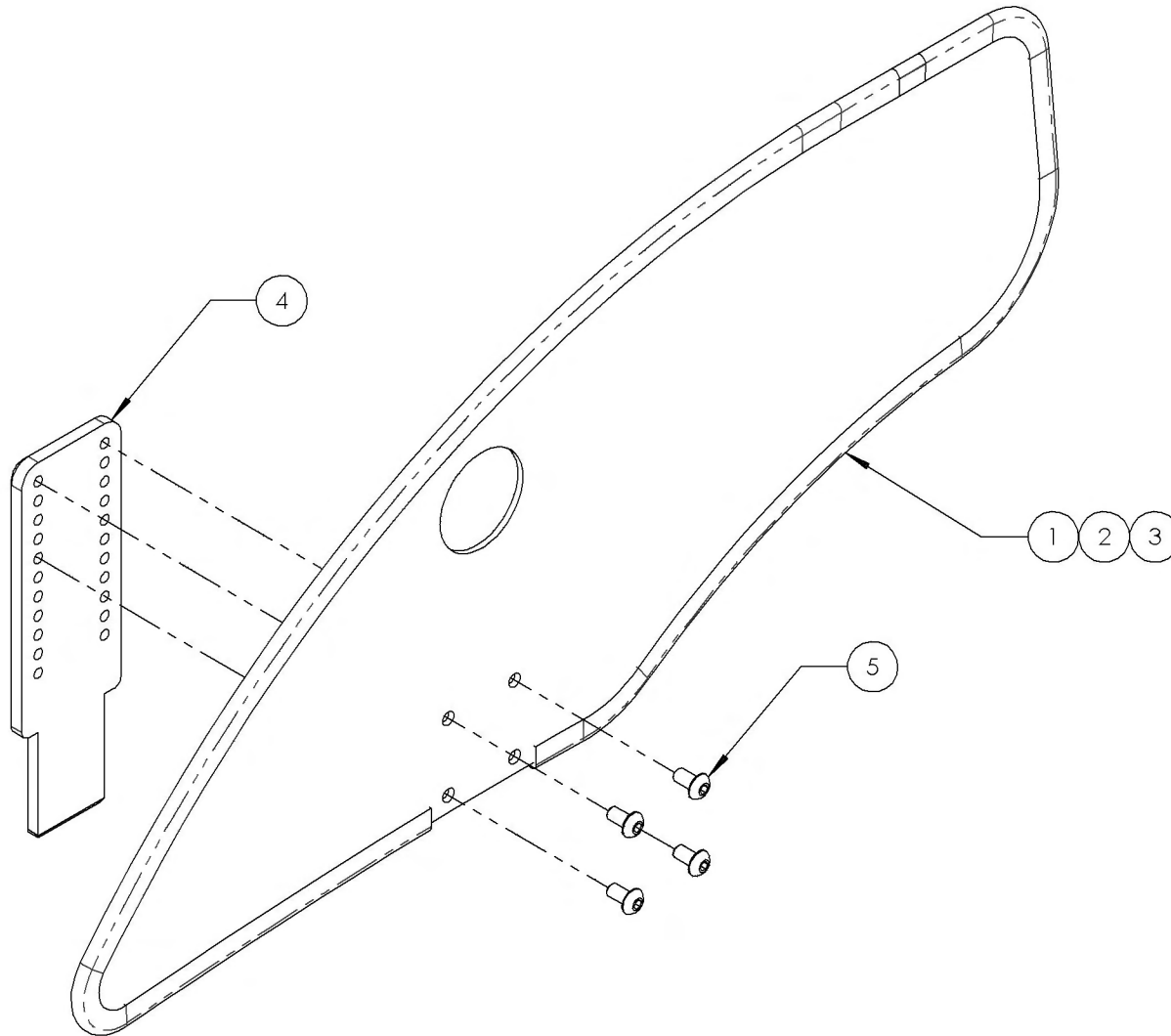


9001294  
 Fixed Side Guard - Carbon Fiber, Left, Large

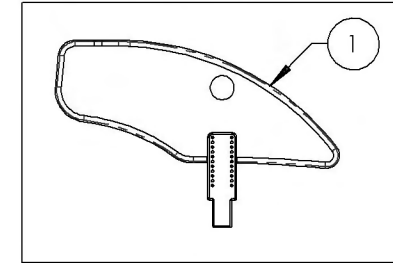


**9002489\_9002491**  
**Removable Side Guard - Carbon Fiber, Right**

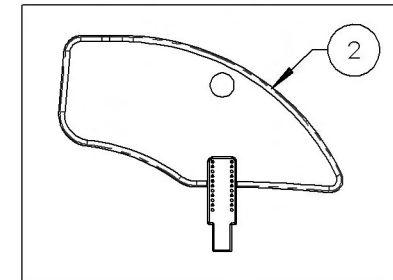
ITEM NO.	PARTNO	DESCRIPTION	9002489 /QTY.	9002490 /QTY.	9002491 /QTY.
1	51213	SMALL AJUSTABLE CARBON FIBER SIDEGUARD, H-165mm L-372mm - ASSEMBLY	1	-	-
2	51214	MEDIUM AJUSTABLE CARBON FIBER SIDEGUARD, H-203mm L-372mm - ASSEMBLY	-	1	-
3	51215	LARGE AJUSTABLE CARBON FIBER SIDEGUARD, H-241mm L-372mm - ASSEMBLY	-	-	1
4	51118	MUDGUARD & SIDEGUARD ADJUSTING PLATE	1	1	1
5	90631	BUTTON HEAD CAP SCREW M4X0.7 X 8mm LONG, FULLY THREADED	4	4	4



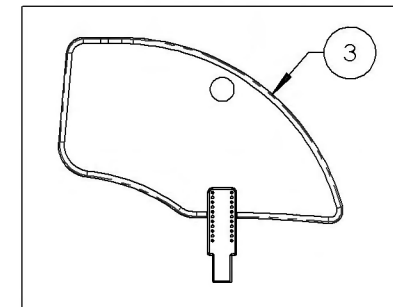
9002489  
 Removable Side Guard -  
 Carbon Fiber, Right, Small



9002490  
 Removable Side Guard -  
 Carbon Fiber, Right, Medium

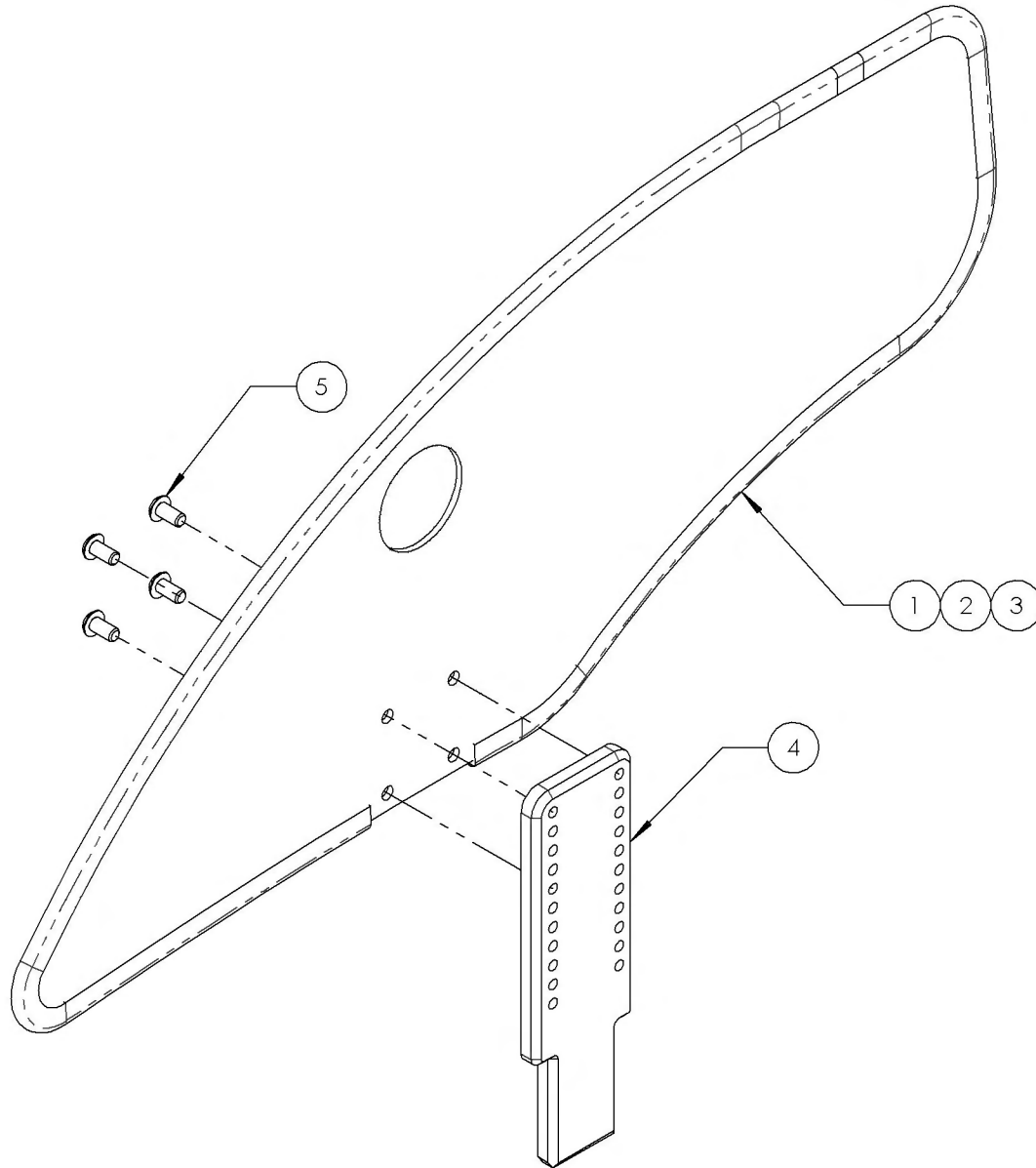


9002491  
 Removable Side Guard -  
 Carbon Fiber, Right, Large

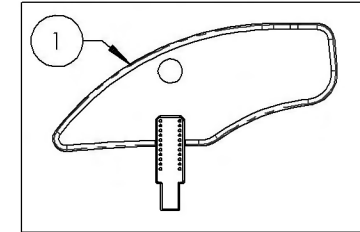


**9002492\_9002494**  
**Removable Side Guard - Carbon Fiber, Left**

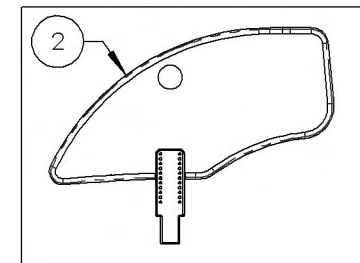
ITEM NO.	PARTNO	DESCRIPTION	9002492 /QTY.	9002493 /QTY.	9002494 /QTY.
1	51213	SMALL AJUSTABLE CARBON FIBER SIDEGUARD, H-165mm L-372mm - ASSEMBLY	1	-	-
2	51214	MEDIUM AJUSTABLE CARBON FIBER SIDEGUARD, H-203mm L-372mm - ASSEMBLY	-	1	-
3	51215	LARGE AJUSTABLE CARBON FIBER SIDEGUARD, H-241mm L-372mm - ASSEMBLY	-	-	1
4	51118	MUDGUARD & SIDEGUARD ADJUSTING PLATE	1	1	1
5	90631	BUTTON HEAD CAP SCREW M4X0.7 X 8mm LONG, FULLY THREADED	4	4	4



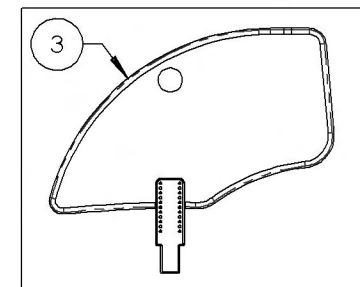
9002492  
 Removable Side Guard -  
 Carbon Fiber, Left, Small



9002493  
 Removable Side Guard -  
 Carbon Fiber, Left, Medium

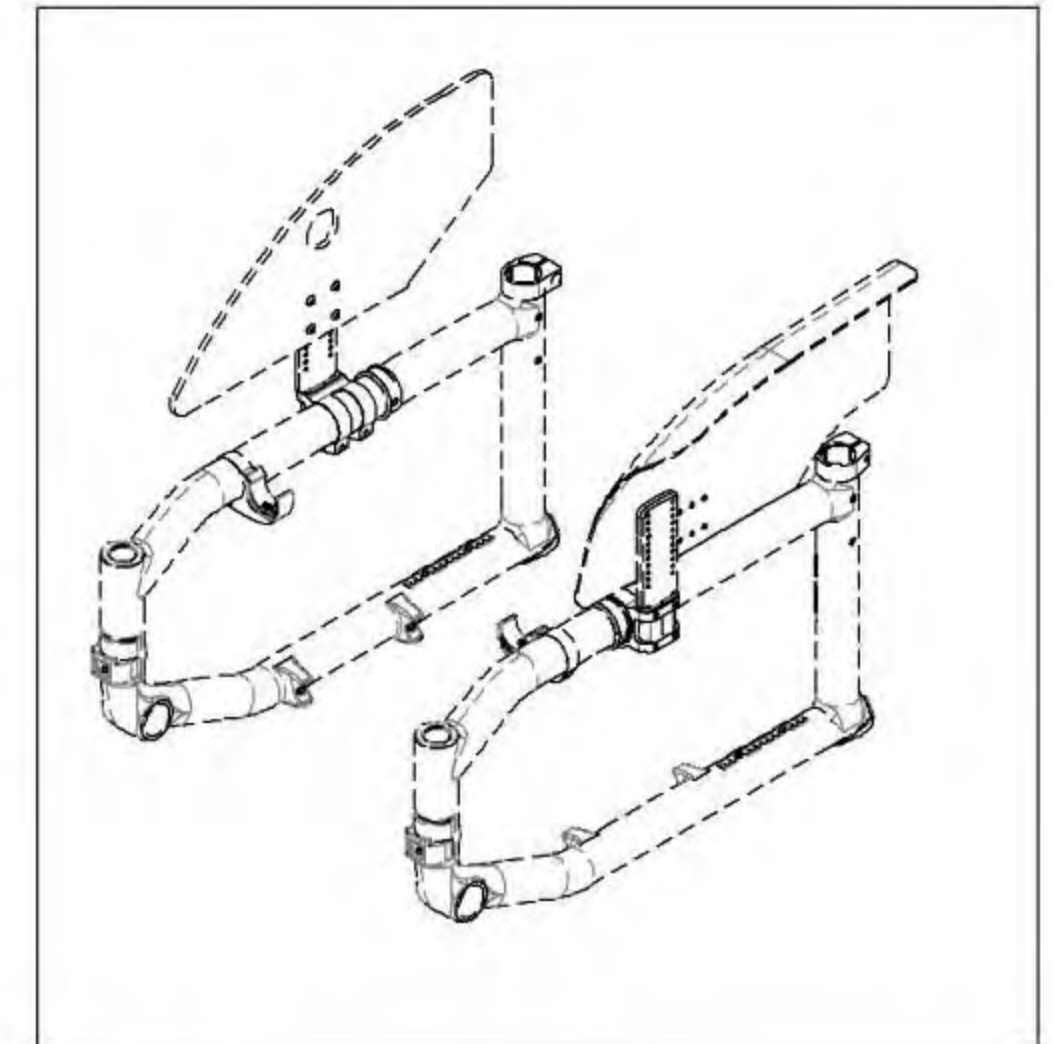
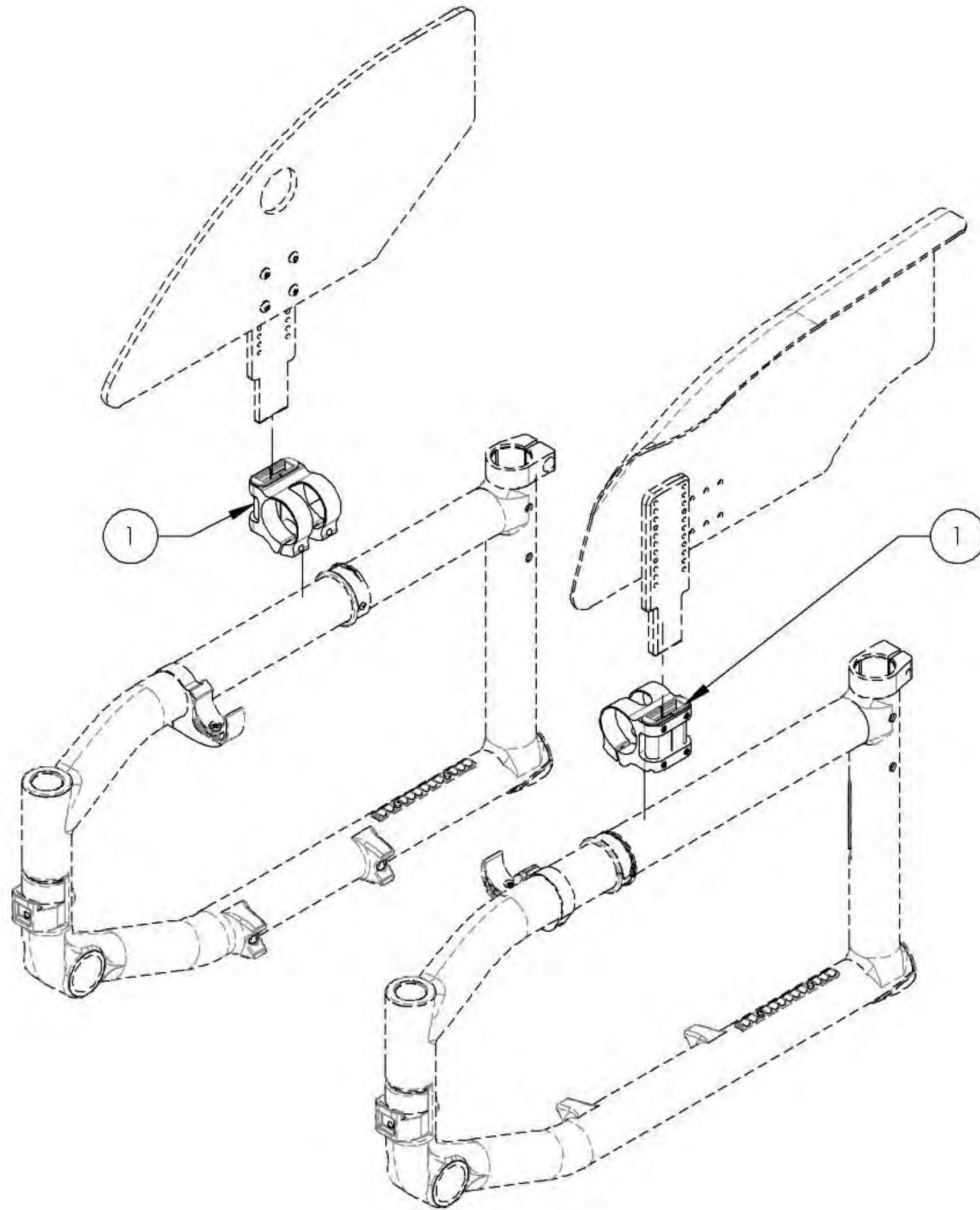


9002494  
 Removable Side Guard -  
 Carbon Fiber, Left, Large



**Armrest Catalogue**  
**Removable Sideguards & Mudguards**

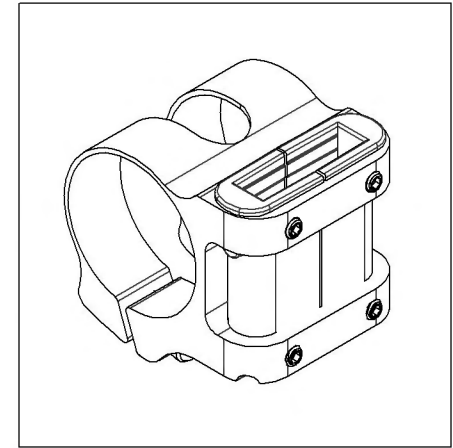
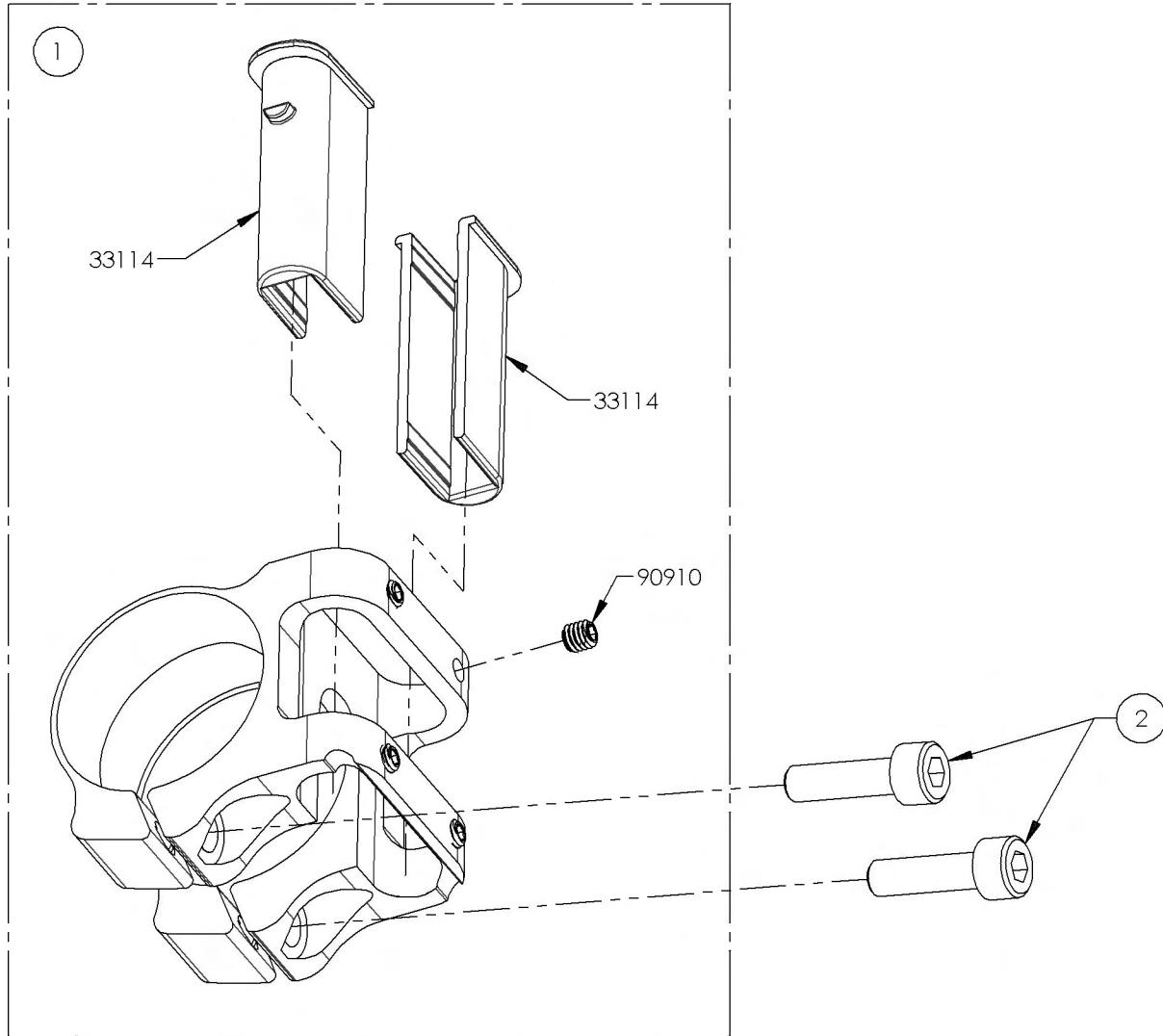
ITEM NO.	PARTNO	DESCRIPTION	QTY.
1	9001327	Removable Mud Guard & Plastic Side Guard - Receiver	2



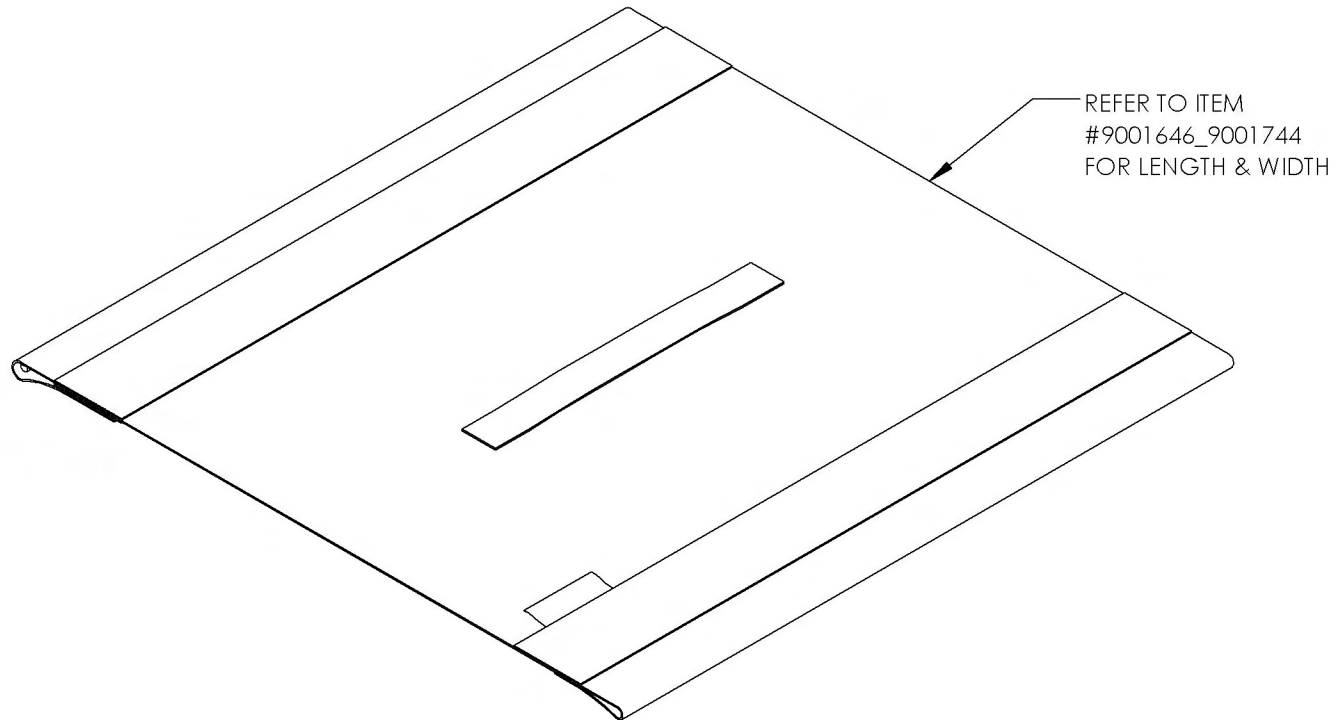
MAKE SURE TO HAVE YOUR SERIAL NUMBER  
 NEARBY WHEN ORDERING PARTS FOR YOUR  
 MOTION COMPOSITES WHEELCHAIR

**9001327**  
**Removable Mud Guard & Plastic Side Guard - Receiver**

ITEM NO.	PARTNO	DESCRIPTION	9001327 /QTY.
1	33557	V2 SIDEGUARD RECEIVER - ASSEMBLY	1
2	90748	SOCKET CAP SCREW M5X0.8 X 18mm LONG, FULLY THREADED	2

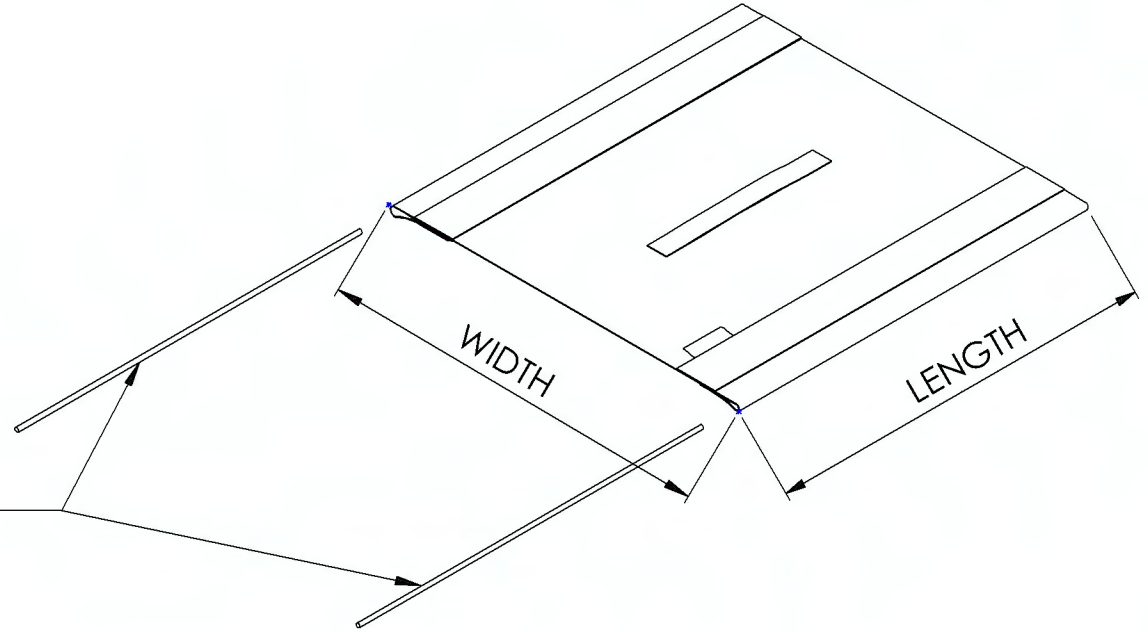


**Accessories Catalogue**  
**Sliding Seat Slings**



MAKE SURE TO HAVE YOUR SERIAL NUMBER  
NEARBY WHEN ORDERING PARTS FOR YOUR  
MOTION COMPOSITES WHEELCHAIR

**9001646\_9001744**  
**Sliding Seat Slings (Specify Size)**

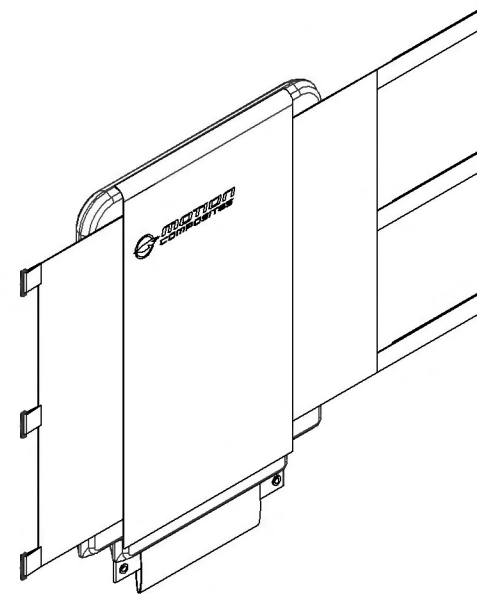
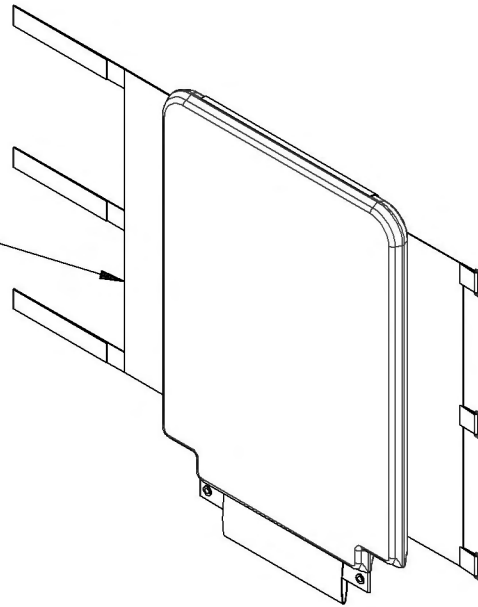


REPLACEMENT PARTS	
1x 12"Slotted Tube Guide	12173
1x 13"Slotted Tube Guide	12174
1x 14"Slotted Tube Guide	12175
1x 15"Slotted Tube Guide	12176
1x 16"Slotted Tube Guide	12177
1x 17"Slotted Tube Guide	12178
1x 18"Slotted Tube Guide	12179
1x 19"Slotted Tube Guide	12180
1x 20"Slotted Tube Guide	12181

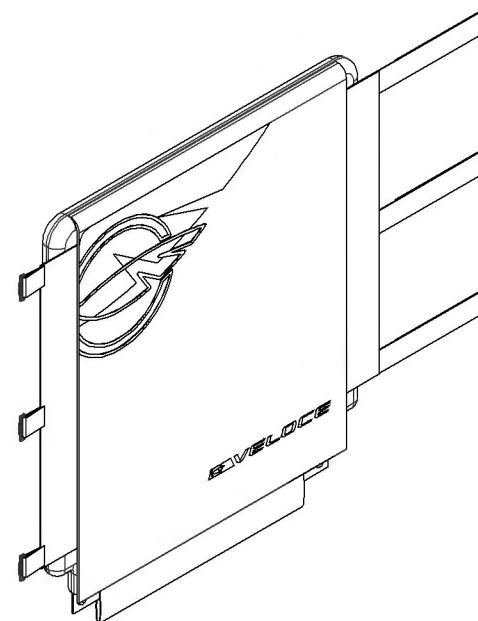
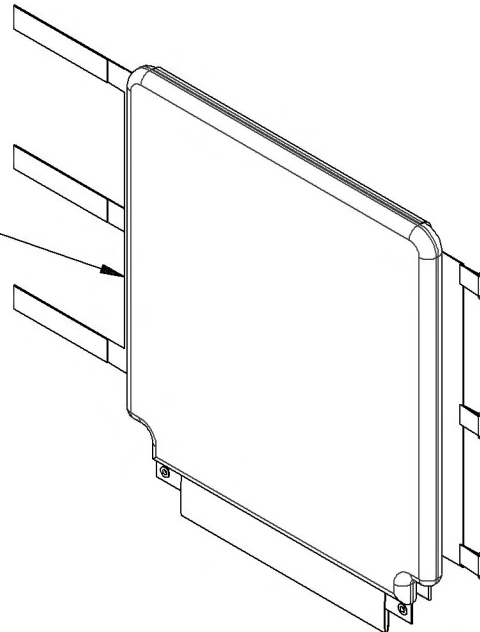
(2X slotted tube guide included)		LENGTH in inches (cm)								
		12 (30.5)	13 (33.0)	14 (35.6)	15 (38.1)	16 (40.6)	17 (43.2)	18 (45.7)	19 (48.3)	20 (50.8)
<b>WIDTH</b> in inches (cm)	12 (30.5)	9001646	9001647	9001648	9001649	9001650	9001651	9001652	9001653	9001654
	13 (33.0)	9001655	9001656	9001657	9001658	9001659	9001660	9001661	9001662	9001663
	14 (35.6)	9001664	9001665	9001666	9001667	9001668	9001669	9001670	9001671	9001672
	15 (38.1)	9001673	9001674	9001675	9001676	9001677	9001678	9001679	9001680	9001681
	16 (40.6)	9001682	9001683	9001684	9001685	9001686	9001687	9001688	9001689	9001690
	17 (43.2)	9001691	9001692	9001693	9001694	9001695	9001696	9001697	9001698	9001699
	18 (45.7)	9001700	9001701	9001702	9001703	9001704	9001705	9001706	9001707	9001708
	19 (48.3)	9001709	9001710	9001711	9001712	9001713	9001714	9001715	9001716	9001717
	20 (50.8)	9001718	9001719	9001720	9001721	9001722	9001723	9001724	9001725	9001726
	21 (53.3)	9001727	9001728	9001729	9001730	9001731	9001732	9001733	9001734	9001735
22 (55.9)	9001736	9001737	9001738	9001739	9001740	9001741	9001742	9001743	9001744	

**Accessories Catalogue**  
**Adjustable Tension Back Upholstery**

ADJUSTABLE TENSION BACK UPHOLSTERY  
REFER TO ITEM  
#9001754\_9001808  
FOR LENGTH & WIDTH



ADJUSTABLE TENSION BACK UPHOLSTERY  
FOR VELOCE  
REFER TO ITEM  
#9001864\_9001898  
FOR LENGTH & WIDTH



MAKE SURE TO HAVE YOUR SERIAL NUMBER  
NEARBY WHEN ORDERING PARTS FOR YOUR  
MOTION COMPOSITES WHEELCHAIR



9001864\_9001898

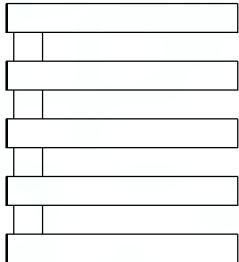
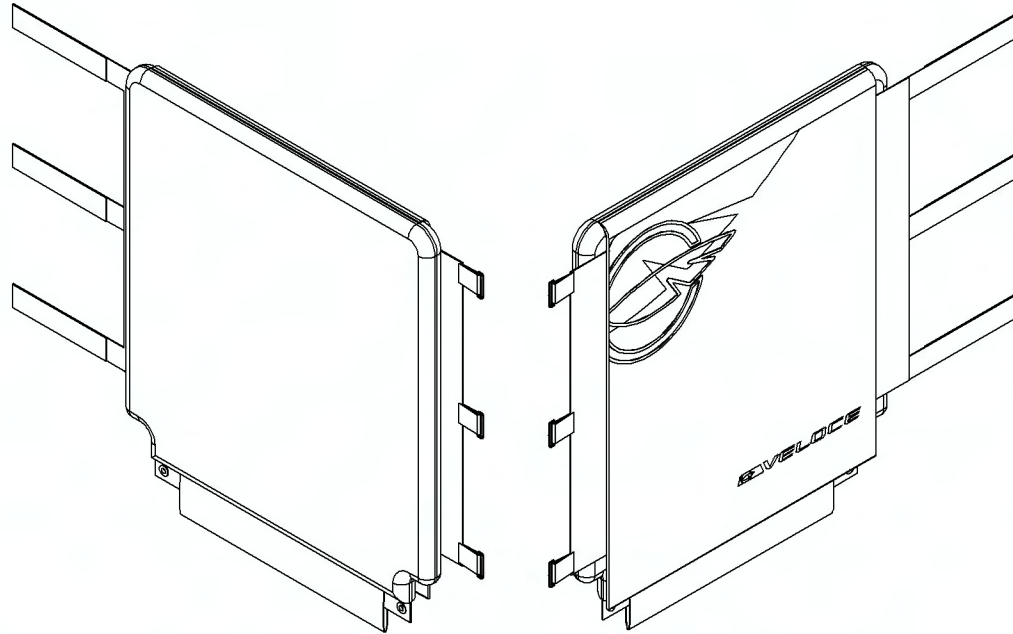
**Back Upholstery - Adjustable Tension, Mesh (Specify Size)**

**ADJUSTABLE TENSION  
BACK STRAPS**

FOR 9-12", 12-15" & 15-18"  
USE **#60092**

---

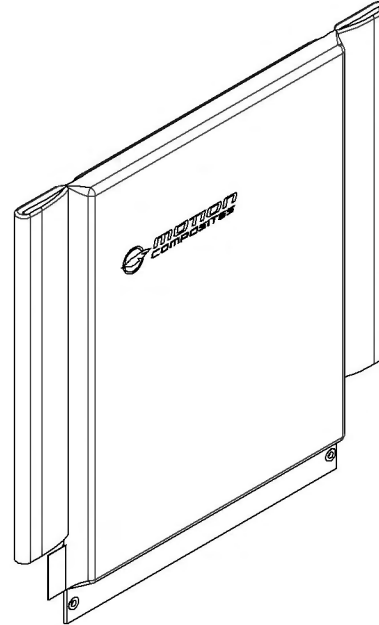
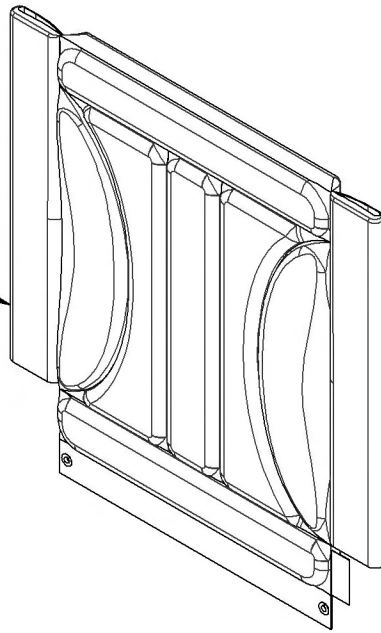
FOR 18-21" & 21-24"  
USE **#60093**

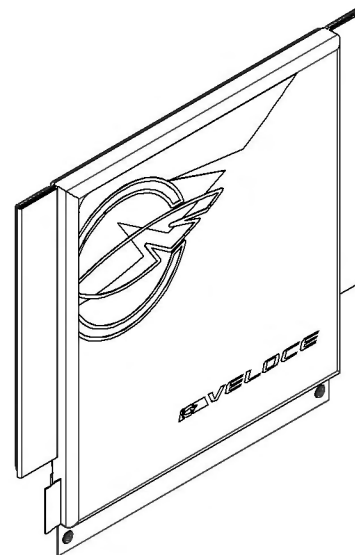
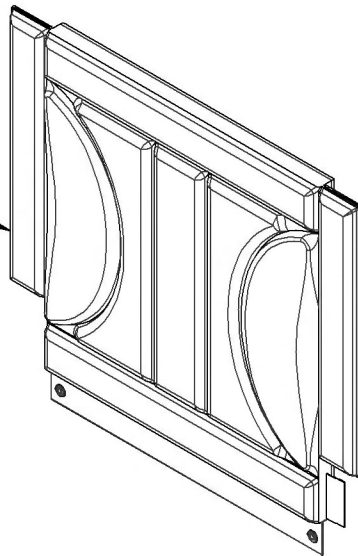
ADJUSTABLE TENSION BACK UPHOLSTERY FOR VELOCE (SPECIFY COLOR)		LENGTH in inches (cm)				
		9-12 (22.9-30.5)	12-15 (30.5-38.1)	15-18 (38.1-45.7)	18-21 (45.7-53.3)	21-24 (53.3-60.9)
WIDTH in inches (cm)	14 (35.6)	9001864	9001865	9001866	9001867	9001868
	15 (38.1)	9001869	9001870	9001871	9001872	9001873
	16 (40.6)	9001874	9001875	9001876	9001877	9001878
	17 (43.2)	9001879	9001880	9001881	9001882	9001883
	18 (45.7)	9001884	9001885	9001886	9001887	9001888
	19 (48.3)	9001889	9001890	9001891	9001892	9001893
	20 (50.8)	9001894	9001895	9001896	9001897	9001898

**Accessories Catalogue**  
**Slip On Back Upholstery**

SLIP ON BACK UPHOLSTERY  
REFER TO ITEM  
#9001809\_9001863  
FOR LENGTH & WIDTH



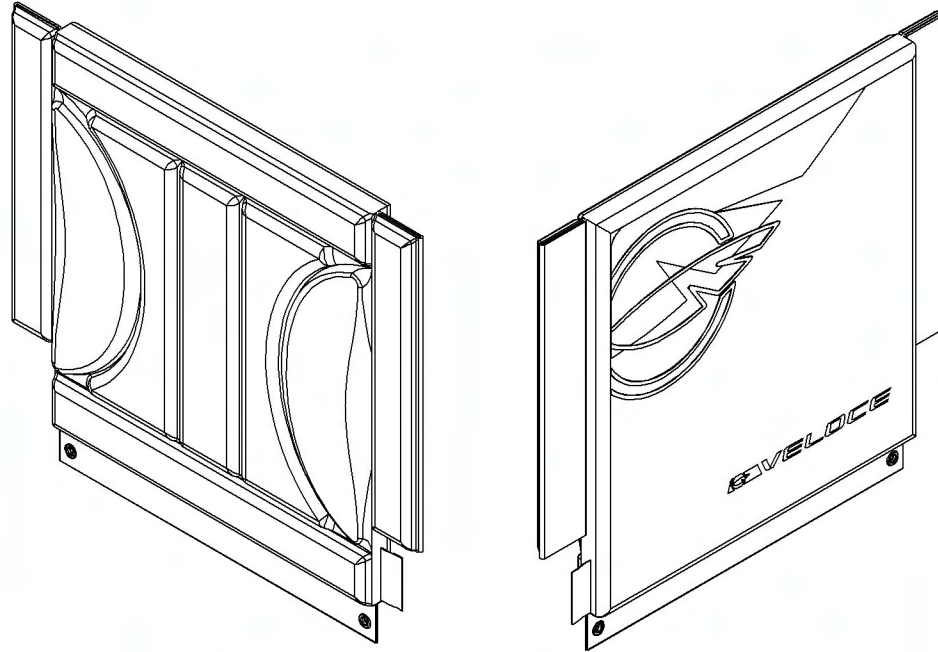
SLIP ON BACK UPHOLSTERY  
FOR VELOCE  
REFER TO ITEM  
#9001899\_9001933  
FOR LENGTH & WIDTH



MAKE SURE TO HAVE YOUR SERIAL NUMBER  
NEARBY WHEN ORDERING PARTS FOR YOUR  
MOTION COMPOSITES WHEELCHAIR

9001899\_9001933

**Back Upholstery - Slip On, Nylon (Specify Size & Color)**



SLIP ON BACK UPHOLSTERY FOR VELOCE (SPECIFY COLOR)		LENGTH in inches (cm)				
		9-12 (22.9-30.5)	12-15 (30.5-38.1)	15-18 (38.1-45.7)	18-21 (45.7-53.3)	21-24 (53.3-60.9)
WIDTH in inches (cm)	14 (35.6)	9001899	9001900	9001901	9001902	9001903
	15 (38.1)	9001904	9001905	9001906	9001907	9001908
	16 (40.6)	9001909	9001910	9001911	9001912	9001913
	17 (43.2)	9001914	9001915	9001916	9001917	9001918
	18 (45.7)	9001919	9001920	9001921	9001922	9001923
	19 (48.3)	9001924	9001925	9001926	9001927	9001928
	20 (50.8)	9001929	9001930	9001931	9001932	9001933

**Accessories Catalogue  
Stickers - Veloce**

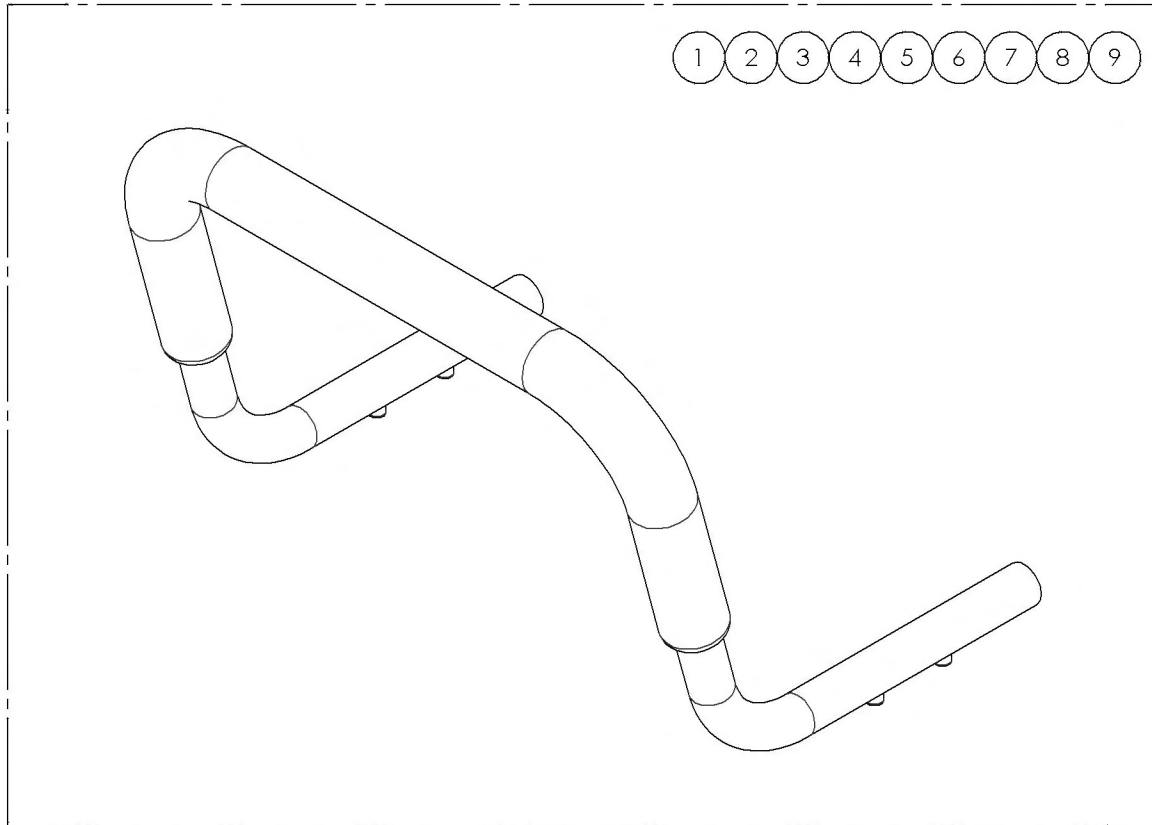
ITEM NO.	PARTNO	DESCRIPTION	QTY.
1	9001159	Color Highlight - Right, Charcoal	1
2	9001160	Color Highlight - Left, Charcoal	1
3	9001161	Color Highlight - Right, Red	1
4	9001162	Color Highlight - Left, Red	1
5	9001163	Color Highlight - Right, White	1
6	9001164	Color Highlight - Left, White	1



MAKE SURE TO HAVE YOUR SERIAL NUMBER  
NEARBY WHEN ORDERING PARTS FOR YOUR  
MOTION COMPOSITES WHEELCHAIR

**Accessories Catalogue**  
**Stroller Handles**

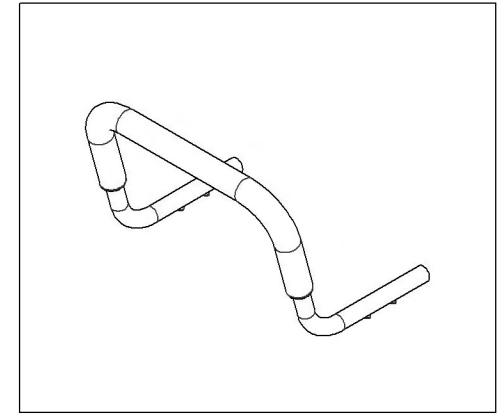
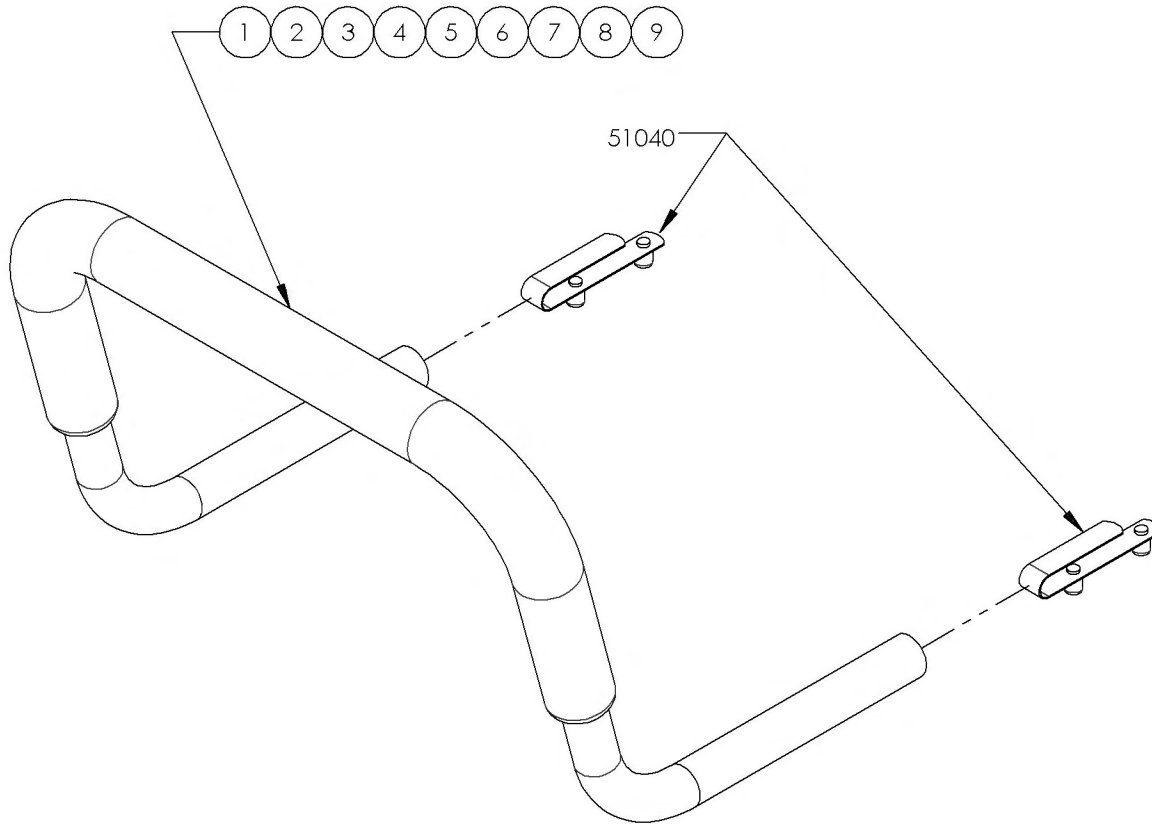
ITEM NO.	PARTNO	DESCRIPTION	QTY
1	9001605	Stroller Handle - 12 in	1
2	9001606	Stroller Handle - 13 in	1
3	9001607	Stroller Handle - 14 in	1
4	9001608	Stroller Handle - 15 in	1
5	9001609	Stroller Handle - 16 in	1
6	9001610	Stroller Handle - 17 in	1
7	9001611	Stroller Handle - 18 in	1
8	9001612	Stroller Handle - 19 in	1
9	9001613	Stroller Handle - 20 in	1



MAKE SURE TO HAVE YOUR SERIAL NUMBER  
 NEARBY WHEN ORDERING PARTS FOR YOUR  
 MOTION COMPOSITES WHEELCHAIR

**9001605\_9001613  
Stroller Handles**

ITEM NO.	PARTNO	DESCRIPTION	9001605 /QTY.	9001606 /QTY.	9001607 /QTY.	9001608 /QTY.	9001609 /QTY.	9001610 /QTY.	9001611 /QTY.	9001612 /QTY.	9001613 /QTY.
1	51525	12" STROLLER HANDLE - ASSEMBLY	1	-	-	-	-	-	-	-	-
2	51526	13" STROLLER HANDLE - ASSEMBLY	-	1	-	-	-	-	-	-	-
3	51527	14" STROLLER HANDLE - ASSEMBLY	-	-	1	-	-	-	-	-	-
4	51528	15" STROLLER HANDLE - ASSEMBLY	-	-	-	1	-	-	-	-	-
5	51529	16" STROLLER HANDLE - ASSEMBLY	-	-	-	-	1	-	-	-	-
6	51530	17" STROLLER HANDLE - ASSEMBLY	-	-	-	-	-	1	-	-	-
7	51531	18" STROLLER HANDLE - ASSEMBLY	-	-	-	-	-	-	1	-	-
8	51532	19" STROLLER HANDLE - ASSEMBLY	-	-	-	-	-	-	-	1	-
9	51533	20" STROLLER HANDLE - ASSEMBLY	-	-	-	-	-	-	-	-	1



**Accessories Catalogue**  
**Tool Kit**

ITEM NO.	PARTNO	DESCRIPTION	QTY.
1	9001643	Tool Kit	1



MAKE SURE TO HAVE YOUR SERIAL NUMBER  
NEARBY WHEN ORDERING PARTS FOR YOUR  
MOTION COMPOSITES WHEELCHAIR

**9001643  
Tool Kit**

ITEM NO.	PARTNO	DESCRIPTION	QTY.
1	80001	Threaded Knob	1
2	51120	Metric Tool Kit	1
3	80002	3° Tool	1





**Accessories Catalogue**  
**Helio T-Shirt**

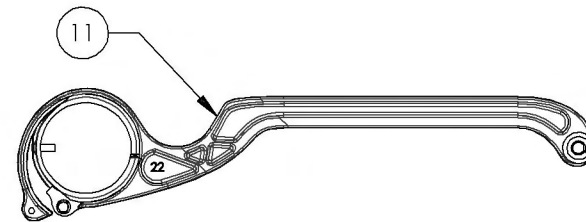
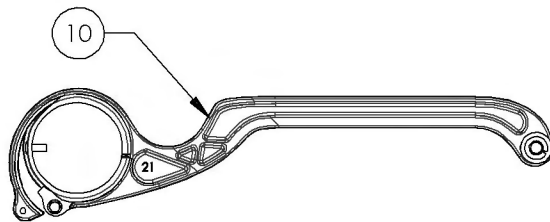
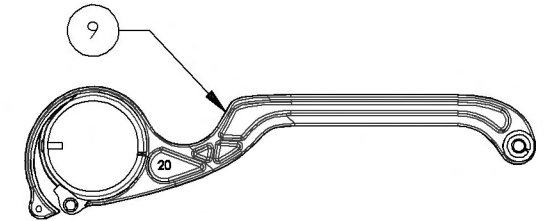
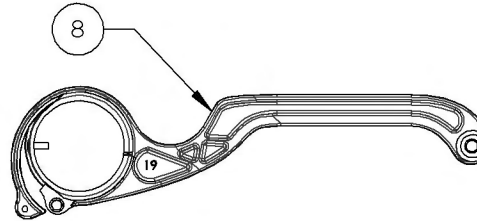
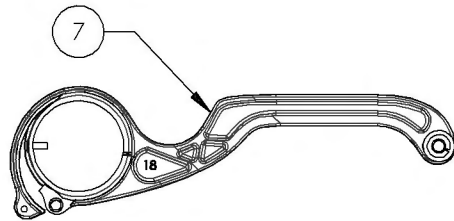
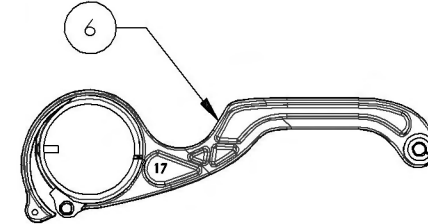
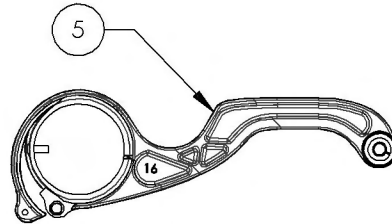
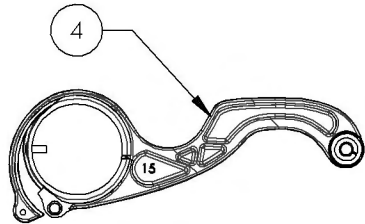
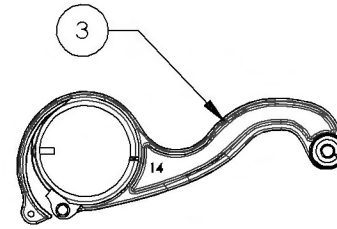
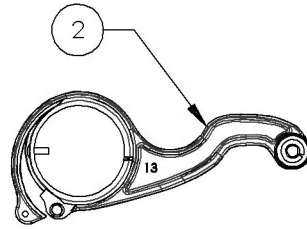
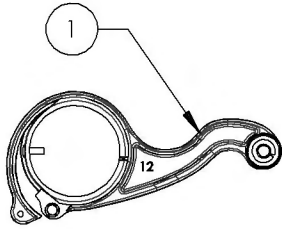
ITEM NO.	PARTNO	DESCRIPTION	QTY.
1	9001635	T-Shirt - Motion Composites Small	1
2	9001636	T-Shirt - Motion Composites Medium	1
3	9001637	T-Shirt - Motion Composites Large	1
4	9001638	T-Shirt - Motion Composites X-Large	1
5	9001639	T-Shirt - Motion Composites XX-Large	1



MAKE SURE TO HAVE YOUR SERIAL NUMBER  
NEARBY WHEN ORDERING PARTS FOR YOUR  
MOTION COMPOSITES WHEELCHAIR

**Quick Order Catalogue**  
**Link & Hardware**

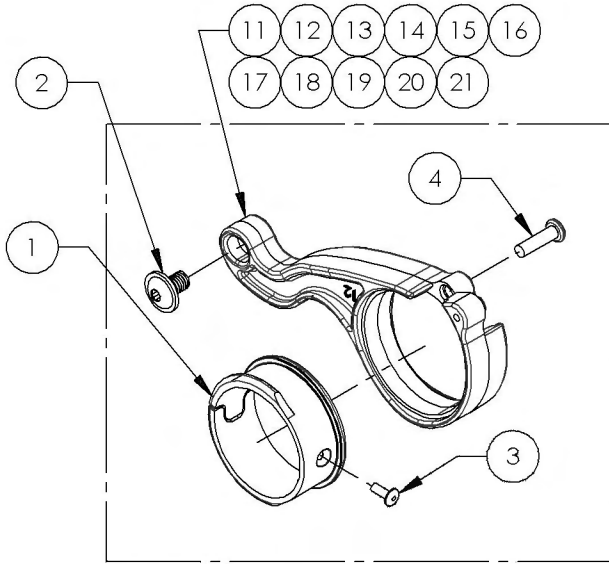
ITEM NO.	PARTNO	DESCRIPTION	QTY.
1	9002150	Link - 12 in + Hardware	1
2	9002151	Link - 13 in + Hardware	1
3	9002152	Link - 14 in + Hardware	1
4	9002153	Link - 15 in + Hardware	1
5	9002154	Link - 16 in + Hardware	1
6	9002155	Link - 17 in + Hardware	1
7	9002156	Link - 18 in + Hardware	1
8	9002157	Link - 19 in + Hardware	1
9	9002158	Link - 20 in + Hardware	1
10	9002159	Link - 21 in + Hardware	1
11	9002160	Link - 22 in + Hardware	1



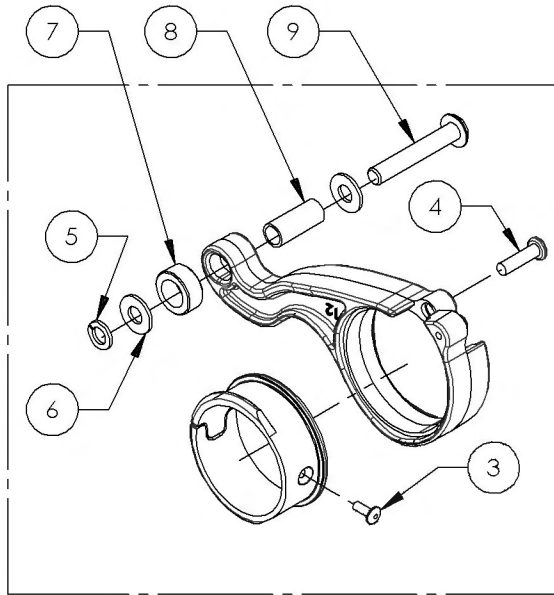
MAKE SURE TO HAVE YOUR SERIAL NUMBER  
 NEARBY WHEN ORDERING PARTS FOR YOUR  
 MOTION COMPOSITES WHEELCHAIR

**9002150\_9002160**  
**Link + Hardware**

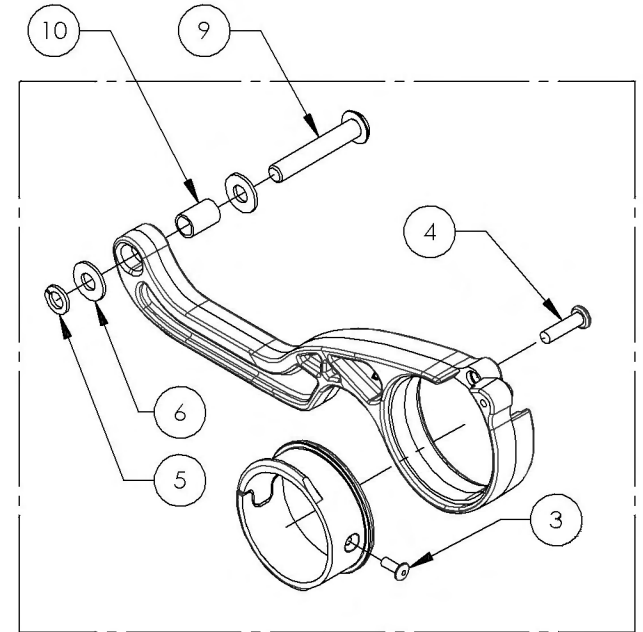
ITEM NO.	PARTNO	DESCRIPTION	9002150 /QTY.	9002151 /QTY.	9002152 /QTY.	9002153 /QTY.	9002154 /QTY.	9002155 /QTY.	9002156 /QTY.	9002157 /QTY.	9002158 /QTY.	9002159 /QTY.	9002160 /QTY.
1	12140	LINK GUIDE	1	1	1	1	1	1	1	1	1	1	1
2	91009	FLANGE BUTTON HEAD CAP SCREW, M5X.8 X 8mm	1	1	1	1	1	1	1	1	1	1	1
3	99660	POP RIVET 3_32 D X .365 L X .126_250	1	1	1	1	1	1	1	1	1	1	1
4	99000	SCREW PHILLIPS PAN HD #6-32 X 1/2	1	1	1	1	1	1	1	1	1	1	1
5	99598	LOCKWASHER #10 (.062 WIDE X .047 THK)	1	1	1	1	1	1	1	1	1	1	1
6	99550	WASHER #10 .200 ID X 7_16 OD X .037 THK	2	2	2	2	2	2	2	2	2	2	2
7	22028	CASTER SPACER SMALL	1	1	1	1	1	-	-	-	-	-	-
8	99605	SPACER M5 BOLT, 16MM LG, 0.7MM WALL THK	1	1	1	1	1	-	-	-	-	-	-
9	90651	BUTTON HEAD CAP SCREW M5X0.8 X 30mm LONG, FULLY THREADED	1	1	1	1	1	1	1	1	1	1	1
10	99600	SPACER M5 BOLT, 10MM LG, 0.7MM WALL THK	-	-	-	-	-	1	1	1	1	1	1
11	12152	12in A7_C2 LINK	1	-	-	-	-	-	-	-	-	-	-
12	12153	13in A7_C2 LINK	-	1	-	-	-	-	-	-	-	-	-
13	12154	14in A7_C2 LINK	-	-	1	-	-	-	-	-	-	-	-
14	12155	15in A7_C2 LINK	-	-	-	1	-	-	-	-	-	-	-
15	12156	16in A7_C2 LINK	-	-	-	-	1	-	-	-	-	-	-
16	12157	17in A7_C2 LINK	-	-	-	-	-	1	-	-	-	-	-
17	12158	18in A7_C2 LINK	-	-	-	-	-	-	1	-	-	-	-
18	12159	19in A7_C2 LINK	-	-	-	-	-	-	-	1	-	-	-
19	12160	20in A7_C2 LINK	-	-	-	-	-	-	-	-	1	-	-
20	12161	21in A7_C2 LINK	-	-	-	-	-	-	-	-	-	1	-
21	12162	22in A7_C2 LINK	-	-	-	-	-	-	-	-	-	-	1



**ACTUAL ASSEMBLY**



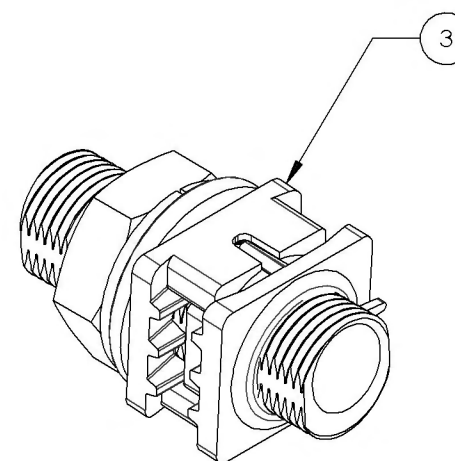
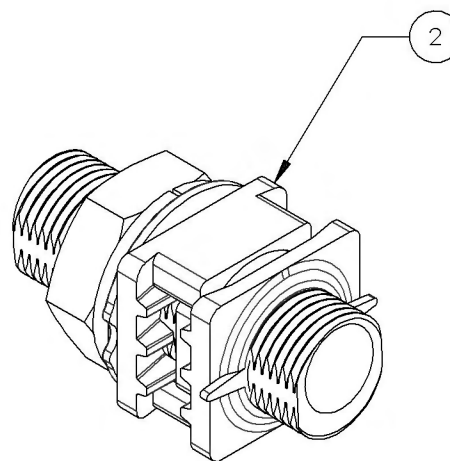
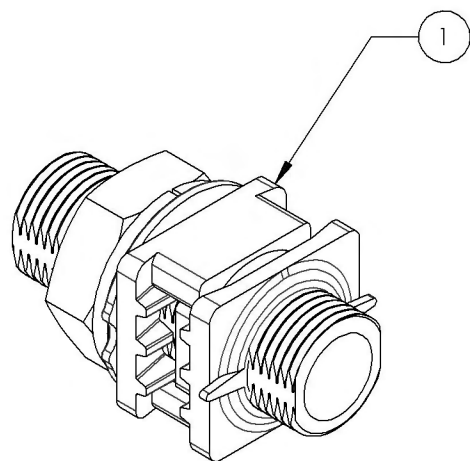
**PREVIOUS ASSEMBLY (12" TO 16")**



**PREVIOUS ASSEMBLY (17" TO 22")**

**Quick Order Catalogue  
Rear Bushing Assembly**

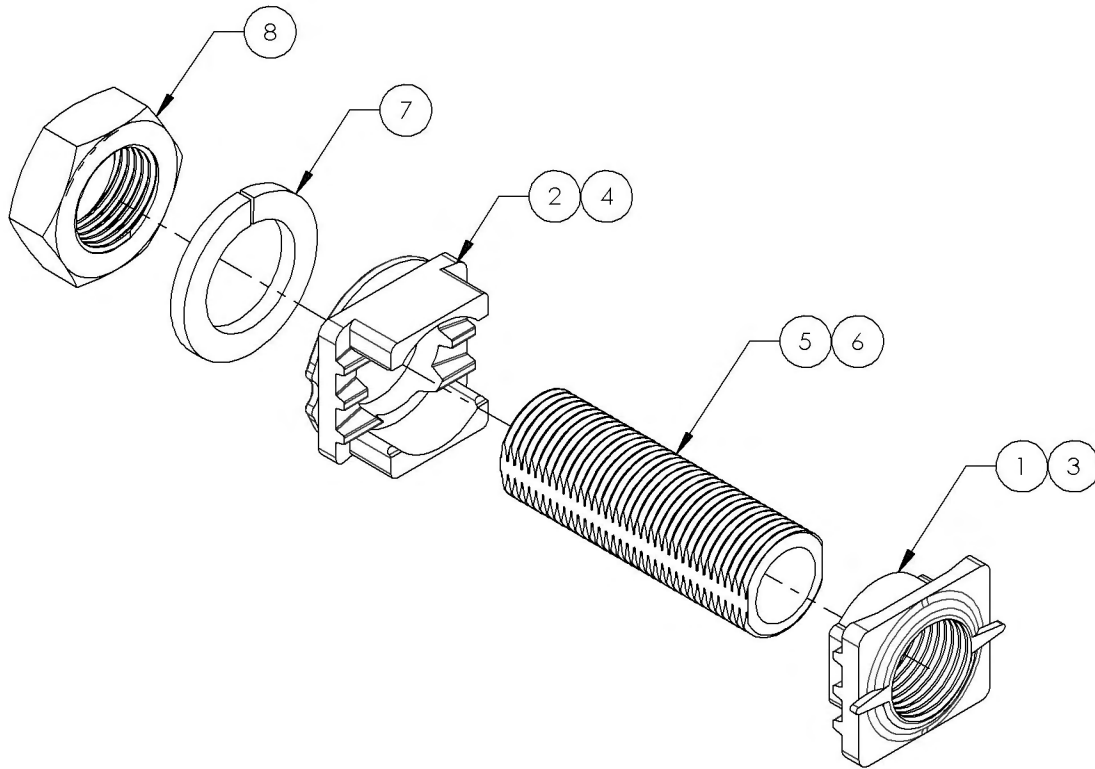
ITEM NO.	PARTNO	DESCRIPTION	QTY.
1	9002166	Rear Wheel - 0° Axle Bushing + Hardware	1
2	9002167	Rear Wheel - 3° Axle Bushing + Hardware	1
3	9002168	Rear Wheel - 6° Axle Bushing + Hardware	1



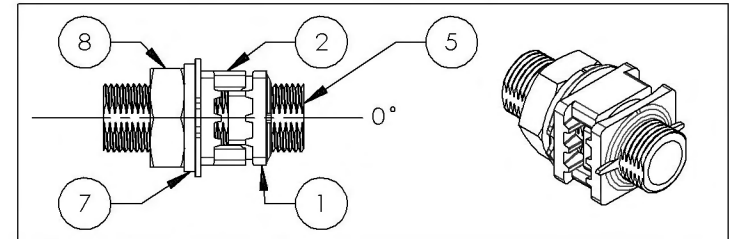
MAKE SURE TO HAVE YOUR SERIAL NUMBER  
NEARBY WHEN ORDERING PARTS FOR YOUR  
MOTION COMPOSITES WHEELCHAIR

**9002166\_9002168**  
**Rear Wheel - Axle Bushing + Hardware**

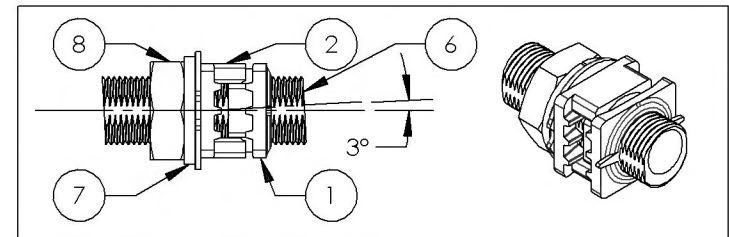
ITEM NO.	PARTNO	DESCRIPTION	9002166 /QTY.	9002167 /QTY.	9002168 /QTY.
1	21019	POSITIONING NUT 0° V2	1	1	-
2	21020	V2 0° BUSHING KIT	1	1	-
3	21021	POSITIONING NUT 3° V2	-	-	1
4	21022	FACE PLATE 3° V2	-	-	1
5	21008	0° BUSHING M18x1.5	1	-	-
6	21009	3° BUSHING M18x1.5	-	1	1
7	99597	LOCK WASHER M18 X 1.5	1	1	1
8	99536	NUT M18X1.5	1	1	1



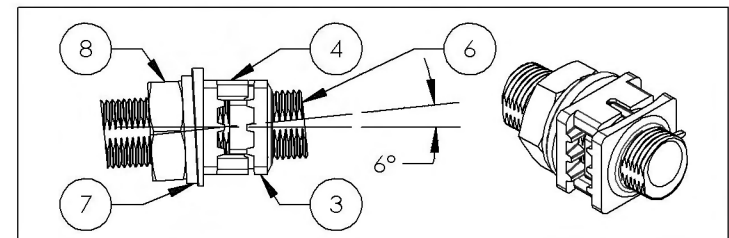
9002166  
 Rear Wheel - 0° Axle Bushing + Hardware



9002167  
 Rear Wheel - 3° Axle Bushing + Hardware

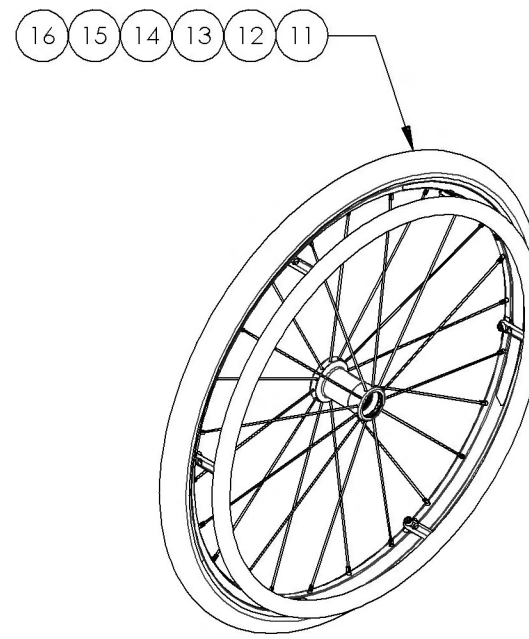
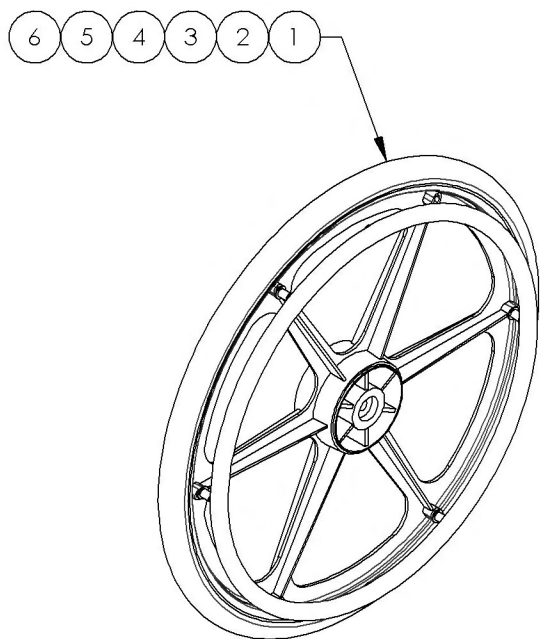


9002168  
 Rear Wheel - 6° Axle Bushing + Hardware



**Quick Order Catalogue  
Rear Wheel Assembly**

ITEM NO.	PARTNO	DESCRIPTION	QTY.
1	9002169	Rear Wheel - Mag + Soft Urethane Tire + Aluminum Handrim, 20 in	1
2	9002170	Rear Wheel - Mag + Soft Urethane Tire + Plastic Coated Handrim, 20 in	1
3	9002171	Rear Wheel - Mag + Soft Urethane Tire + Aluminum Handrim, 22 in	1
4	9002172	Rear Wheel - Mag + Soft Urethane Tire + Plastic Coated Handrim, 22 in	1
5	9002173	Rear Wheel - Mag + Soft Urethane Tire + Aluminum Handrim, 24 in	1
6	9002174	Rear Wheel - Mag + Soft Urethane Tire + Plastic Coated Handrim, 24 in	1
7	9002175	Rear Wheel - Newton One + Soft Urethane Tire + Aluminum Handrim, 22 in	1
8	9002176	Rear Wheel - Newton One + Soft Urethane Tire + Plastic Coated Handrim, 22 in	1
9	9002177	Rear Wheel - Newton One + Soft Urethane Tire + Aluminum Handrim, 24 in	1
10	9002178	Rear Wheel - Newton One + Soft Urethane Tire + Plastic Coated Handrim, 24 in	1
11	9002179	Rear Wheel - Newton Gravity + Soft Urethane Tire + Aluminum Handrim, 20 in	1
12	9002180	Rear Wheel - Newton Gravity + Soft Urethane Tire + Plastic Coated Handrim, 20 in	1
13	9002181	Rear Wheel - Newton Gravity + Soft Urethane Tire + Aluminum Handrim, 22 in	1
14	9002182	Rear Wheel - Newton Gravity + Soft Urethane Tire + Plastic Coated Handrim, 22 in	1
15	9002183	Rear Wheel - Newton Gravity + Soft Urethane Tire + Aluminum Handrim, 24 in	1
16	9002184	Rear Wheel - Newton Gravity + Soft Urethane Tire + Plastic Coated Handrim, 24 in	1



MAKE SURE TO HAVE YOUR SERIAL NUMBER  
NEARBY WHEN ORDERING PARTS FOR YOUR  
MOTION COMPOSITES WHEELCHAIR

**9002169\_9002184**  
**Rear Wheel Assembly**

ITEM NO.	PARTNO	DESCRIPTION	9002169 /QTY.	9002170 /QTY.	9002171 /QTY.	9002172 /QTY.	9002173 /QTY.	9002174 /QTY.	9002175 /QTY.	9002176 /QTY.	9002177 /QTY.	9002178 /QTY.	9002179 /QTY.	9002180 /QTY.	9002181 /QTY.	9002182 /QTY.	9002183 /QTY.	9002184 /QTY.
1	21105	20" MAG WHEEL	1	1	-	-	-	-	-	-	-	-	-	-	-	-	-	-
2	21106	22" MAG WHEEL	-	-	1	1	-	-	-	-	-	-	-	-	-	-	-	-
3	21107	24" MAG WHEEL	-	-	-	-	1	1	-	-	-	-	-	-	-	-	-	-
4	21110	22" NEWTON ONE WHEEL	-	-	-	-	-	-	1	1	-	-	-	-	-	-	-	-
5	21111	24" NEWTON ONE WHEEL	-	-	-	-	-	-	-	-	1	1	-	-	-	-	-	-
6	21113	20" NEWTON GRAVITY WHEEL	-	-	-	-	-	-	-	-	-	1	1	-	-	-	-	-
7	21114	22" NEWTON GRAVITY WHEEL	-	-	-	-	-	-	-	-	-	-	-	-	1	1	-	-
8	21115	24" NEWTON GRAVITY WHEEL	-	-	-	-	-	-	-	-	-	-	-	-	-	-	1	1
9	21365	20" URETHANE TIRE	1	1	-	-	-	-	-	-	-	-	1	1	-	-	-	-
10	21366	22" URETHANE TIRE	-	-	1	1	-	-	1	1	-	-	-	-	1	1	-	-
11	21367	24" URETHANE TIRE	-	-	-	-	1	1	-	-	1	1	-	-	-	-	1	1
12	21236	20" ALUMINUM ANODIZED HANDRIM/ MAG WHEEL	1	-	-	-	-	-	-	-	-	-	-	-	-	-	-	-
13	21205	22" ALUMINUM ANODIZED HANDRIM- MAG WHEEL	-	-	1	-	-	-	-	-	-	-	-	-	-	-	-	-
14	21206	24" ALUMINUM ANODIZED HANDRIM- MAG WHEEL	-	-	-	-	1	-	-	-	-	-	-	-	-	-	-	-
15	21237	20" PLASTIC COATED HANDRIM/ MAG WHEEL	-	1	-	-	-	-	-	-	-	-	-	-	-	-	-	-
16	21207	22" PLASTIC COATED HANDRIM/ MAG WHEEL	-	-	-	1	-	-	-	-	-	-	-	-	-	-	-	-
17	21208	24" PLASTIC COATED HANDRIM/ MAG WHEEL	-	-	-	-	-	1	-	-	-	-	-	-	-	-	-	-
18	21200	20" ALUMINUM ANODIZED HANDRIM	-	-	-	-	-	-	-	-	-	-	1	-	-	-	-	-
19	21201	22" ALUMINUM ANODIZED HANDRIM	-	-	-	-	-	-	1	-	-	-	-	-	1	-	-	-
20	21202	24" ALUMINUM ANODIZED HANDRIM	-	-	-	-	-	-	-	-	1	-	-	-	-	-	1	-
21	21210	20" PLASTIC COATED HANDRIM	-	-	-	-	-	-	-	-	-	-	-	1	-	-	-	-
22	21211	22" PLASTIC COATED HANDRIM	-	-	-	-	-	-	-	1	-	-	-	-	-	1	-	-
23	21212	24" PLASTIC COATED HANDRIM	-	-	-	-	-	-	-	-	-	1	-	-	-	-	-	1
24	99601	SPACER HANDRIM MAG (last: 200 + 200 comm)	6	6	4	4	4	4	-	-	-	-	-	-	-	-	-	-
25	99564	FLAT WASHER M5 POUR HANDRIM MAG	12	12	8	8	8	8	-	-	-	-	-	-	-	-	-	-
26	90989	M5 LOW NYLON LOCK	-	-	-	-	-	-	-	-	-	-	6	6	6	6	6	6
27	21500	REAR WHEEL LOCKNUT INSERT - ASSEMBLY	-	-	-	-	-	-	6	6	6	6	-	-	-	-	-	-
28	99015	SCREW PHILLIPS #10-32 X 2" HANDRIM MAG	6	6	4	4	4	4	-	-	-	-	-	-	-	-	-	-
29	90744	SOCKET CAP SCREW M5X0.8 X 12mm LONG, FULLY THREADED	-	-	-	-	-	-	-	-	-	-	6	6	6	6	6	6
30	90745	SOCKET CAP SCREW M5X0.8 X 14mm LONG, FULLY THREADED	-	-	-	-	-	-	6	6	6	6	-	-	-	-	-	-

