



P.O. number:*	Date:	Ship to:*
Company Name:*	Phone:*	Name:
Ordered by:*		Address:
Clinician/ATP/RTS:		City: State/Prov:
Email:		Postal/Zip Code:
Marked for:	Phone:	* Required

VEMA083 <input type="checkbox"/>	VEMA084 <input type="checkbox"/>	VEMA085 <input type="checkbox"/>	VEMA086 <input type="checkbox"/>	VEMA087 <input type="checkbox"/>	VEMA088 <input type="checkbox"/>	
<i>English Manual (STD)</i>	<i>German Manual</i>	<i>Italian Manual</i>	<i>Dutch Manual</i>	<i>Spanish Manual</i>	<i>French Manual</i>	<i>Taxes not included</i>

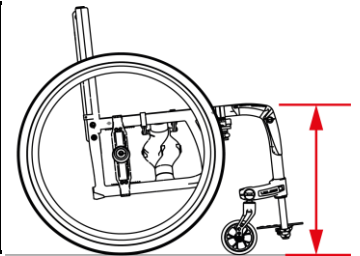
MODEL																	
1	VEWC20	Ultralight VELOCE Wheelchair (120 kg - 265 lb weight limit)									[8900]	<input type="checkbox"/>					
2	VEWC09	HD Heavy Duty package (350 lb weight capacity)								WAMF	[8104]	<input type="checkbox"/>					
3	VEWC10	E-Motion adaptor Kit (2 adaptors)									[8700]	<input type="checkbox"/>					
SEAT WIDTH ³ - cm (inches)																	
4	VESW	Seat width:	14" <input type="checkbox"/>	[8117]	15" <input type="checkbox"/>	[8118]	16" <input type="checkbox"/>	[8119]	17" <input type="checkbox"/>	[8120]	18" <input type="checkbox"/>	[8121]	19" <input type="checkbox"/>	[8122]		NC	<input type="checkbox"/>
5	VESW	Seat width:	20" <input type="checkbox"/>	[8123]													
SEAT DEPTH - cm (inches)																	
6	VESD	Seat depth:	14" ¹ <input type="checkbox"/>	[8127]	15" ¹ <input type="checkbox"/>	[8128]	16" <input type="checkbox"/>	[8129]	17" <input type="checkbox"/>	[8130]	18" <input type="checkbox"/>	[8131]	19" <input type="checkbox"/>	[8132]		NC	<input type="checkbox"/>
7	VESD	Seat depth:	20" <input type="checkbox"/>	[8133]													

1 Depth achieved with shorter seat sling. 2: Available with HD option 3. Width calculator

FRAME LENGTH													
8	VESP01	Standard frame length configuration									[8317]	STD	<input type="checkbox"/>
9	VESP02	Frame length 2.5 cm (1") longer than standard configuration									[8380]	NC	<input type="checkbox"/>
10	VESP03	Frame length 5 cm (2") longer than standard configuration									[8381]	NC	<input type="checkbox"/>
11	VESP04	Frame length 2.5 cm (1") shorter than standard configuration									[8382]	NC	<input type="checkbox"/>
12	VESP05	Frame length 5 cm (2") shorter than standard configuration									[8383]	NC	<input type="checkbox"/>

FRONT Seat-to-floor height

Caster sizes	Height available +- 1/4"	
3" Caster	35,6cm to 53,3cm (14" to 21")	Specify desired height: _____ (inches)
4" Caster	36,8cm to 53,3cm (14.5" to 21")	
5" Caster	39,4cm to 53,3cm (15.5" to 21")	
6" Caster	41,9cm to 53,3cm (16.5" to 21") (N/A with 90° front frame)	



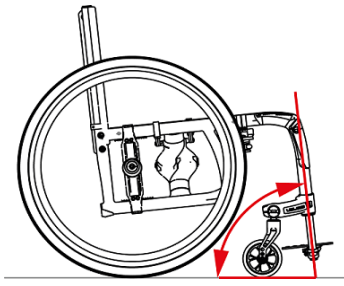
CASTERS																											
13	VECA01	Composite wheel w/ PU tire (1" width)								3" <input type="checkbox"/>	[8190]	4" <input type="checkbox"/>	[8191]	5" <input type="checkbox"/>	[8192]	6" <input type="checkbox"/>	[8193]		NC	<input type="checkbox"/>							
14	VECA10	Pneumatic casters 6" x 1 1/4"																	[8201]	<input type="checkbox"/>							
15	VECA14	Newton UltraCaster Soft-Roll Composite								4" x 1 1/2 "									[8196]	<input type="checkbox"/>							
16	VECA15									5" x 1 1/2 "															[8197]	<input type="checkbox"/>	
17	VECA16									6" x 1 1/2 "																[8198]	<input type="checkbox"/>
18	VECA17									4" x 1 1/2 "																[8205]	<input type="checkbox"/>
19	VECA18	Newton UltraCaster Soft-Roll Aluminum								5" x 1 1/2 "										[8206]	<input type="checkbox"/>						
20	VECA19									6" x 1 1/2 "																[8207]	<input type="checkbox"/>

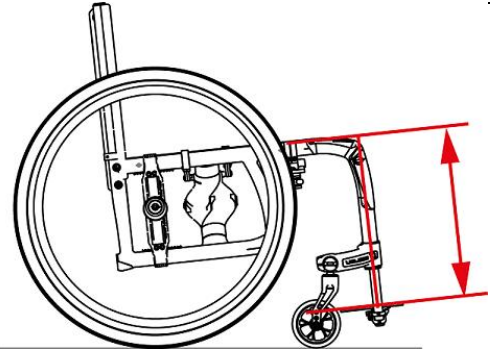
Veloce - REAR Seat-to-floor Height

WHEEL SIZES	Height available	
22" wheel	34.3cm / 13.5" to 46.4cm / 18.25"	Specify desired height: <hr style="width: 80%; margin: 10px auto;"/>
24" wheel	36.8cm / 14.5" to 48.9cm / 19.25"	
25" wheel	38.1cm / 15" to 50.2cm / 19.75"	
26" wheel	39.4cm / 15.5" to 51.4cm / 20.25"	

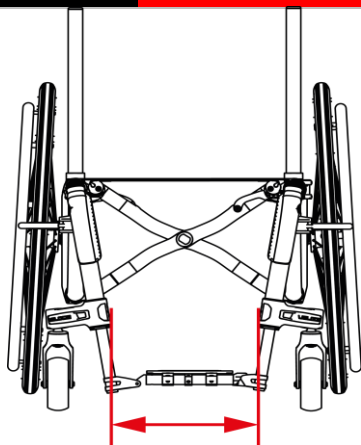
Configuration used: 2.5 cm (1") seat slope with a center of gravity at 5cm (2")

Note: Tire size, center of gravity setting and seat slope may result in a variation of +/- 1.25 cm (½") of selected Seat to Floor height"

FRONT FRAME ANGLE							
21	VEFA70	70° Front Frame Angle			[8384]	NC	<input type="checkbox"/>
22	VEFA75	75° Front frame angle		[8385]	NC	<input type="checkbox"/>	
23	VEFA80	80° Front Frame Angle		[8386]	NC	<input type="checkbox"/>	
24	VEFA85	85° Front frame angle		[8387]	NC	<input type="checkbox"/>	
25	VEFA90	90° Front Frame Angle		[8388]	NC	<input type="checkbox"/>	

SEAT TO FOOTREST HEIGHT	
Set Length to*:	Length must be at least 4,5 cm (1 ¾") longer than front seat-to-floor height
* +/- 1.27 cm (1/2")	
<i>If not indicated, footrest will be set at 5cm (2") from the ground</i>	

Footrest width / Taper selection				
Seat Width	Straight		1" Taper	
Outside Measurement	6,4 cm Narrower than Seat Width		11,4 cm Narrower than Seat Width	
12"	24.1 cm	9.5"	19.1 cm	7.5"
13"	26.7 cm	10.5"	21.6 cm	8.5"
14"	29.2 cm	11.5"	24.1 cm	9.5"
15"	31.8 cm	12.5"	26.7 cm	10.5"
16"	34.3 cm	13.5"	29.2 cm	11.5"
17"	36.8 cm	14.5"	31.8 cm	12.5"
18"	39.4 cm	15.5"	34.3 cm	13.5"
19"	41.9 cm	16.5"	36.8 cm	14.5"
20"	44.5 cm	17.5"	39.4 cm	15.5"



FOOTPLATES						
26	VEFP06	One piece adjustable angle flip-up - Aluminum		[8324]	NC	<input type="checkbox"/>
27	VEFP07	One piece adjustable angle flip-up - Carbon fiber <i>with rubber inserts</i>		[8325]		<input type="checkbox"/>
28	VEFP28	One piece auto-folding adjustable angle - Aluminum		[8530]		<input type="checkbox"/>
29	VEFP29	One piece auto-folding adjustable angle - Carbon fiber <i>with rubber inserts</i>		[8531]		<input type="checkbox"/>
30	VEFP02	Newton adjustable angle footplate - Composites (<i>Two piece</i>)		[8532]		<input type="checkbox"/>
31	VEFP03	Newton adjustable angle - Aluminum (<i>Two piece</i>)		[8533]		<input type="checkbox"/>
32	VEFP04	Newton adjustable angle footplate - Carbon fiber with rubber inserts (<i>Two piece</i>)		[8534]		<input type="checkbox"/>

FOOTPLATE ACCESSORIES						
33	VEFP08	Length adjustable heel loop (<i>not available with one piece footplate</i>)		[8188]		<input type="checkbox"/>
34	VEFP09	Calf strap		[8189]		<input type="checkbox"/>
35	VEFP30	Bodypoint Aeromesh Padded calf strap	SEFND0010	[8352]		<input type="checkbox"/>

Back canes fixed height without push handle

FIXED ANGLE BACK						
36	VEBC03	Ultralight fixed height carbon fiber back cane ¹			NC	<input type="checkbox"/>
		9" [8292] 12" [8293] 15" [8295] 18" [8296] 21" [8297]				
37	VEBC04	8° bend fixed height carbon fiber back cane ¹				<input type="checkbox"/>
		13 ½" [8301] 15" [8302] 18" [8303] 21" [8304]				

1 - Not compatible with push handles

Back canes, height adjustable, with option

FIXED ANGLE BACK						
38	VEBC06	Straight carbon fiber back cane			NC	<input type="checkbox"/>
		9-12" [8288] 12-15" [8289] 15-18" [8290] 18-21" [8291]				
39	VEBC08	8° bend Carbon fiber back cane				<input type="checkbox"/>
		13 ½"-15" [8298] 15-18" [8299] 18-21" [8300]				
ADJUSTABLE ANGLE BACK						
40	VEBC09	Angle adjustable Straight carbon fiber back cane				<input type="checkbox"/>
		12-15" [8309] 15-18" [8310] 18-21" [8312]				
41	VEBC10	Angle adjustable 8° bend carbon fiber back cane				<input type="checkbox"/>
		13 ½"-15" [8306] 15-18" [8307] 18-21" [8308]				
42		Select back cane angle:	85° <input type="checkbox"/> ¹	90° <input type="checkbox"/>	95° <input type="checkbox"/> STD	100° <input type="checkbox"/> 105° <input type="checkbox"/> 110° <input type="checkbox"/>

Set height to: * (measured from seat sling to top of back upholstery) * If not indicated, default height setting is at the lowest position

PUSH HANDLE OPTION						
43	VEPH01	Push handles		[8152]	NC	<input type="checkbox"/>
44	VEPH05	Fold down push handles ²		[8526]		<input type="checkbox"/>
45	VEPH06	Clamp on height adjustable push handle ³	9" -20" <input type="checkbox"/> STD [8527]	9" - 23" <input type="checkbox"/> [8528]		<input type="checkbox"/>
46	VEPH02	Without push handles		[8151]	NC	<input type="checkbox"/>

1 - Not available with a 8 degree bend cane 2 - 265 pounds weight limit

3 - Not compatible with swing away armrests, 8° bend back canes ; 265 pounds weight limit on carbon back cane

BACK UPHOLSTERY						
47	VEBH07	Slip-on Active-Mesh back upholstery		[8159]	NC	<input type="checkbox"/>
48	VEBH08	Adjustable tension Active-Mesh back upholstery		[8160]		<input type="checkbox"/>
49	VEBH99	Omit Back upholstery		[8320]	NC	<input type="checkbox"/>

SEAT CUSHION						
50	VESC01	5,1 cm (2") Cushion		[8157]		<input type="checkbox"/>
51	VESC02	7,6 cm (3") Cushion		[8158]		<input type="checkbox"/>
52	VESC99	Omit seat cushion		[8381]		<input type="checkbox"/>

REAR WHEELS (inch)												
53	VERW01	Mag ¹	22" <input type="checkbox"/> [8213]	24" <input type="checkbox"/> [8214]						<input type="checkbox"/>		
54	VERW02	Newton One - spoke wheel ²	22" <input type="checkbox"/> [8215]	24" <input type="checkbox"/> [8216]					NC	<input type="checkbox"/>		
55	VERW03	Newton Gravity - ultralight wheel	22" <input type="checkbox"/> [8218]	24" <input type="checkbox"/> [8219]	25" <input type="checkbox"/> [8220]	26" <input type="checkbox"/> [8221]				<input type="checkbox"/>		
56	VERW04	Spinergy Spox	22" <input type="checkbox"/> [8222]	24" <input type="checkbox"/> [8223]	25" <input type="checkbox"/> [8224]	26" <input type="checkbox"/> [8225]				<input type="checkbox"/>		
57		Spinergy Spox spokes colors* Blk <input type="checkbox"/> STD	Wht <input type="checkbox"/>	Blue <input type="checkbox"/>	Red <input type="checkbox"/>	Yel <input type="checkbox"/>			NC	<input type="checkbox"/>		
58	VERW05	Spinergy LX	22" <input type="checkbox"/> [8226]	24" <input type="checkbox"/> [8227]	25" <input type="checkbox"/> [8228]	26" <input type="checkbox"/> [8229]				<input type="checkbox"/>		
59		Spinergy LX spokes colors * Blk <input type="checkbox"/> STD	Pur <input type="checkbox"/>	Wht <input type="checkbox"/>	Blue <input type="checkbox"/>	Red <input type="checkbox"/>	Yel <input type="checkbox"/>	Pink <input type="checkbox"/>	Grn <input type="checkbox"/>	Org <input type="checkbox"/>	NC	<input type="checkbox"/>
60	VERW07	Spinergy CLX Carbon Blade		24" <input type="checkbox"/> [8524]	25" <input type="checkbox"/> [8525]			New		<input type="checkbox"/>		
61		Spinergy CLX spokes colors * Blk <input type="checkbox"/> STD	Pur <input type="checkbox"/>	Wht <input type="checkbox"/>	Blue <input type="checkbox"/>	Red <input type="checkbox"/>	Yel <input type="checkbox"/>	Pink <input type="checkbox"/>	Grn <input type="checkbox"/>	Org <input type="checkbox"/>	NC	<input type="checkbox"/>

* Colour spokes require an additional 10 days lead-time

1 - HP tires are not compatible with Mag Wheels -use only aluminum or plastic coated handrim

2- Not compatible with Shox tires

TIRES											
							Available				
62	VETI01	Soft Urethane 1 1/4"					22" 24"		[8231]	NC	<input type="checkbox"/>
63	VETI02	Soft Urethane knobby 1 3/8"					22", 24", 25", 26"		[8374]		<input type="checkbox"/>
64	VETI04	Soft Urethane - Shox 1"*					22", 24", 25", 26"		[8247]		<input type="checkbox"/>
65	VETI05	Pneumatic 1 3/8"					22", 24", 25", 26"		[8234]	NC	<input type="checkbox"/>
66	VETI08	Pneumatic with Airless insert 1 3/8"					22", 24"		[8378]		<input type="checkbox"/>
67	VETI06	Pneumatic HP - 1"***					22", 24", 25", 26"		[8240]		<input type="checkbox"/>
68	VETI07	Pneumatic HP - Schwalbe Marathon Plus 1"***					24", 25", 26"		[8245]		<input type="checkbox"/>

* Not compatible with Newton One rear wheels

** Not compatible with Mag Wheels

HANDRIM											
69	VEHR01	Aluminum anodized							[8250]	STD	<input type="checkbox"/>
70	VEHR07	Newton Air Grip* Black <input type="checkbox"/>							[8441]		<input type="checkbox"/>
71	VEHR	Newton Air Grip * (08) Sunkissed Orange <input type="checkbox"/>	(09) Burgundy <input type="checkbox"/>	(10) Sapphire Blue <input type="checkbox"/>	(11) Monster Green <input type="checkbox"/>	(12) Charcoal <input type="checkbox"/>	(13) Fuchsia <input type="checkbox"/>	(14) Steel Blue <input type="checkbox"/>	[8442]	<input type="checkbox"/>	
		(15) Ferrari Red <input type="checkbox"/>	(16) Acid Green <input type="checkbox"/>	(17) White <input type="checkbox"/>	(18) Sky Blue <input type="checkbox"/>						
Assembly position for aluminum and Newton AirGrip handrims											
72	VEHR29	Standard Handrim position							[8500]	STD	<input type="checkbox"/>
73	VEHR30	Narrow Handrim position - Short tab (not available in 22")							[8501]		<input type="checkbox"/>
74	VEHR31	Super Narrow Handrim - Short tab (not available in 22")							[8502]		<input type="checkbox"/>

HANDRIM											
75	VEHR02	Plastic coated ²							[8251]		<input type="checkbox"/>
76	VEHR03	Q-Grip High friction Neoprene coated* ^{1,2}							[8252]		<input type="checkbox"/>
77	VEHR28	Surge * ^{1,2} (1-1/2" Oval handrim w/ Gripton high friction strip)							[8510]		<input type="checkbox"/>
78	VEHR05	Surge LT* ^{1,2} (1-1/8" Oval handrim w/ Gripton high friction strip)							[8254]		<input type="checkbox"/>
79	VEHR04	Natural Fit* Standard Grip ^{1,2} (1-1/2" Oval handrim w/standard thumb piece)							[8253]		<input type="checkbox"/>
80	VEHR25	Natural Fit* Super Grip ^{1,2} (1-1/2" Oval handrim w/super grip thumb piece)							[8511]		<input type="checkbox"/>
81	VEHR99	Omit handrim							[8305]	NC	<input type="checkbox"/>

* Not available with Mag wheels

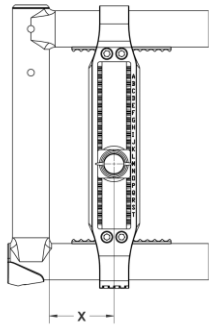
1 - Not available in 20"

2- Only standard handrim position available

AXLE											
82	VEAX01	Quick release axle							[8255]	STD	<input type="checkbox"/>
83	VEAX03	Quad release axle							[8257]		<input type="checkbox"/>

REAR WHEEL CAMBER											
84	VECM00	0° camber							[8260]	STD	<input type="checkbox"/>
85	VECM03	3° camber							[8261]	NC	<input type="checkbox"/>
86	VECM06	6° camber							[8262]		<input type="checkbox"/>

CENTER OF GRAVITY



Choose position of rear wheel axle plate:

Measure distance X from front of back post to center of axle receiver.

Most stable										Most responsive			
2,5 1"	3,2 1/4"	3,8 1/2"	4,4 3/4"	5,1 2"	5,7 1/4"	6,3 1/2"	7 3/4"	7,6 3"	8,3 1/4"	8,9 1/2"	9,5 3/4"	10,2 4"	
<input type="checkbox"/>	<input type="checkbox"/>	<input type="checkbox"/>	<input type="checkbox"/>	<input type="checkbox"/>	<input type="checkbox"/>	<input type="checkbox"/>	<input type="checkbox"/>	<input type="checkbox"/>	<input type="checkbox"/>	<input type="checkbox"/>	<input type="checkbox"/>	<input type="checkbox"/>	

If not indicated, default setting is at 1.5"

Possible conflict between a seat depth under 40.6 cm (16") and a center of gravity over 6,3 cm (2.5").

Possible conflict between a 26" rear wheel and a center of gravity over 6,3 cm (2.5").

If a configuration issue arises due to the choice of the Center Of Gravity (COG) Motion Composites reserves the right to reduce or increase the COG to the closest position.

WHEEL LOCK							
87	VEWL08	Newton Wheel lock - push to lock				[8263]	STD
88	VEWL02	Pull to lock				[8264]	NC
89	VEWL04	Newton grade aid push to lock (suggested with pneumatic or high pressure tire)				[8266]	
90	VEWL13 VEWL14	6" removable extension handle				[8265]	
91	VEWL05	Scissor Lock				[8267]	
92	VEWL99	Omit wheel locks				[8315]	NC

FLIP BACK ARMREST*		Height Adjustment		Removable function			
93	VEAR01	10" Desk Length (25,4 cm)	20,3 - 30,5 (8 - 12") <input type="checkbox"/> STD [8162]	25,4 - 35,6 (10 - 14") <input type="checkbox"/> [8161]	Locked <input type="checkbox"/>	Unlocked <input type="checkbox"/> STD	<input type="checkbox"/>
94	VEAR02	14" Full Length (35,6 cm)	20,3 - 30,5 (8 - 12") <input type="checkbox"/> STD [8163]	25,4 - 35,6 (10 - 14") <input type="checkbox"/> [8164]	Locked <input type="checkbox"/>	Unlocked <input type="checkbox"/> STD	<input type="checkbox"/>
"T" ARMREST*		Height Adjustment					
95	VEAR03	10" Desk Length (25,4 cm)	20,3 - 30,5 (8 - 12") <input type="checkbox"/> STD [8165]	25,4 - 35,6 (10 - 14") <input type="checkbox"/> [8166]			<input type="checkbox"/>
96	VEAR04	14" Full Length (35,6 cm)	20,3 - 30,5 (8 - 12") <input type="checkbox"/> STD [8167]	25,4 - 35,6 (10 - 14") <input type="checkbox"/> [8168]			<input type="checkbox"/>

* May have a 1/2 " adjustment restriction on both limits of the range

GEL ARM PAD - Option for "T" Armrest							
97	VEAR12	36cm (14") Full Length Arm Pad - Gel Ovation				[8512]	<input type="checkbox"/>
SWING AWAY ARMREST **		Height Adjustment					
98	VEAR05	Tubular arm pad	20,3 - 27,9 (8 - 11")			[8169]	<input type="checkbox"/>
99	VEAR06	10 "Desk length arm pad	20,3 - 27,9 (8 - 11")			[8170]	<input type="checkbox"/>

** Could interfere with some rigid back rests

100	VEAR99	Omit armrest				[8452]	NC	<input type="checkbox"/>
-----	--------	--------------	--	--	--	--------	----	--------------------------

SIDE GUARDS (not available with Flip Back and "T" Armrest)								
101	VESG01	Plastic side guards (removable)				[8172]	<input type="checkbox"/>	
102	VESG02	Carbon fiber side guards (fixed) ¹				[8173]	<input type="checkbox"/>	
103	VESG03	Carbon fiber side guards (removable)			WAMV	[8380]	<input type="checkbox"/>	
104	VESG06	Plastic fender side guards (removable) ²			WAMV	[8174]	<input type="checkbox"/>	
105	VESG04	Carbon fiber fender side guards (removable)			WAMV	[8523]	<input type="checkbox"/>	
106	VESG99	Omit side guard				[8453]	NC	<input type="checkbox"/>

1- Not available with back upholstery

2- Not compatible with 20" and 22" rear wheels

POSITIONING BELT								
107	VESB01	Velcro adjustable	Standard 35" <input type="checkbox"/>	Long 60" <input type="checkbox"/>		[8271]	<input type="checkbox"/>	
108	VESB02	Auto buckle	Standard 35" <input type="checkbox"/>	Long 60" <input type="checkbox"/>		[8272]	<input type="checkbox"/>	
109	VESB07	Hardware attachment for 2 point seatbelt (1 pair)				[8274]	NC	<input type="checkbox"/>
110	VESB03	Additional attachment hardware for 4 point seatbelt				[8273]	<input type="checkbox"/>	
111	VESB04	BodyPoint Hip Belt - 2 point not padded	M [8313]	L [8314]			<input type="checkbox"/>	
112	VESB05	BodyPoint Hip Belt - 2 point padded	S <input type="checkbox"/> [14633]	M [14644]	L [14653]		<input type="checkbox"/>	
113	VESB06	BodyPoint Hip Belt - 4 point padded	S <input type="checkbox"/> [14749]	M [14750]	L [14751]		<input type="checkbox"/>	
114	VESB08	BodyPoint EVOFLEX® Positioning Belt Rehab latch and Band Clamps				[8522]	<input type="checkbox"/>	
115	VESB99	Omit positioning belt				[8316]	STD	<input type="checkbox"/>

HEADREST *							
116	VEAC01	Profiled Headrest	Small (3.5"X6") <input type="checkbox"/>	Medium (4.5"X7") <input type="checkbox"/>	Large (5.5"X8") <input type="checkbox"/>	[8282]	<input type="checkbox"/>
117	VEAC02	Headrest mounting hardware with tension bar				[8153]	<input type="checkbox"/>

* Only available with push handles

ACCESSORIES										
118	VEAC03	Anti tippers						[8275]		<input type="checkbox"/>
119	VEAC05	WC-19 Transit Tie Down w/Q'straint belt*		Short 50-104 cm <input type="checkbox"/>	Long 50-116 cm <input type="checkbox"/>		[8326]		<input type="checkbox"/>	
<i>*Not available with the swing away armrest ; Not available with HD option</i>										
120	VEAC06	Cane carrier		Left <input type="checkbox"/>	Right <input type="checkbox"/>		[8276]		<input type="checkbox"/>	
121	VEAC08	Spoke guards**		Available: 22", 24", 26"			[8277]		<input type="checkbox"/>	
122	VEAC10	Seat pouch						[8279]		<input type="checkbox"/>
123	VEAC26	BodyPoint Mobility Bag						[8521]		<input type="checkbox"/>
124	VEAC23	Newton Backpack						[8375]		<input type="checkbox"/>
125	VEAC12	Velcro Closing Strap						[8281]		<input type="checkbox"/>
126	VEAC13	Tool kit						[8329]		<input type="checkbox"/>
127	VEAC16	Motion Composites Polo Shirt		W/S <input type="checkbox"/>	W/M <input type="checkbox"/>	W/L <input type="checkbox"/>	M/XXXL <input type="checkbox"/>	[8280]	<input type="checkbox"/>	
				M/S <input type="checkbox"/>	M/M <input type="checkbox"/>	M/L <input type="checkbox"/>	M/XL <input type="checkbox"/>	M/XXL <input type="checkbox"/>	M/XXXXL <input type="checkbox"/>	

** Not available with Mag wheels

CARBON FIBER FINISH WITH DECALS										
128	VEFC10	Highlight color:		(10) Ferrari Red <input type="checkbox"/>	(11) White <input type="checkbox"/>	(12) Black <input type="checkbox"/>	(13) Sunkissed Orange <input type="checkbox"/>		NC	<input type="checkbox"/>
				(14) Sky Blue <input type="checkbox"/>	(15) Fuchsia <input type="checkbox"/>	(16) Acid Green <input type="checkbox"/>				
TOTAL										

Notes :