

**SaC Tip**

**Frame Catalogue**

APEX ALUMINUM FRAME ASSEMBLY	1
------------------------------	---

**Accessories Catalogue**

COLOR HIGHLIGHT - APEX ALUMINUM	4
SIDEGUARDS & MUDGUARDS	6
REMOVABLE SIDEGUARD & MUDGUARD RECEIVERS	13
SIDEGUARD - CLOTH	15
ANTI-TIPPERS & RECEIVER	16
PHYSIPRO STABILIZER BARS - FOLDING	20
NEWTON FOLDING STABILIZER BAR	21
BACK UPHOLSTERY - SLIP ON & TENSION BACK (SUEDE)	23
RIGID FRAME SEAT SLING WITH HOOK	26
CUSHIONS	28
POSITIONING SEATBELTS - ADDITIONAL HARDWARE (2 COMPOSITES CLAMPS)	31
POSITIONING SEATBELTS	33
POSITIONING SEATBELTS - BODYPOINT	36
CALF STRAPS	38
ARMY PATCHES	42
SEAT POUCH	43
BACKPACK - MOTION COMPOSITES	44
MOTION COMPOSITES T-SHIRT	45
TOOL KIT	46
APEX COLOR SWATCH	48

**Front Wheel Catalogue**

FRONT CASTER WHEELS	49
FRONT STEM ASSEMBLY	50
INTEGRATED BEARING FORK HARDWARE	56

**Armrest Catalogue**

ARMRESTS	57
ARMREST - GEL ARMREST PAD	68
ARMRESTS - T TYPE RECEIVER	71
SWING AWAY RECEIVER	73

**Footrest Catalogue**

TUBULAR OPEN LOOP FOOTPLATES	76
ANGLE ADJUSTABLE FOOTPLATES	78
FLIP BACK ANGLE ADJUSTABLE FOOTPLATES	82

**Rear Wheel Catalogue**

REAR WHEEL MOUNTING TUBE	85
REAR WHEELS & SPOKES	88
TIRES	89
HANDRIMS	90
NEWTON AIR GRIP HANDRIMS	91
BBRAVER HANDRIMS	92
HANDRIM HARDWARE	93

FLAT FREE INSERTS FOR PNEUMATIC TIRES 1 3/8 in	95
SPOKE GUARDS	96
REAR WHEELS + TIRES	98
QUICK RELEASE & PERMANENT AXLE	102

**Wheel Lock Catalogue**

WHEEL LOCK - PUSH & PULL	104
WHEEL LOCK - PUSH WITH EXTENDED RAIL	109
WHEEL LOCK - SCISSOR WITH ADAPTOR	112
GRADE AID WITH AND WITHOUT 6 in EXTENSION	114
GRADE AID + EXTENDED RAIL WITH AND WITHOUT 6 in EXTENSION	117
WHEEL LOCK - CLAMPS	120

**Backrest Catalogue**

FOLDING STANDARD BACKREST MECHANISM	122
FOLDING ULTRALIGHT BACKREST MECHANISM	127
FOLD DOWN & LOCKING ALU BACK CANE ASSEMBLY	131
ULTRALIGHT ALU BACK CANE ASSEMBLY	138

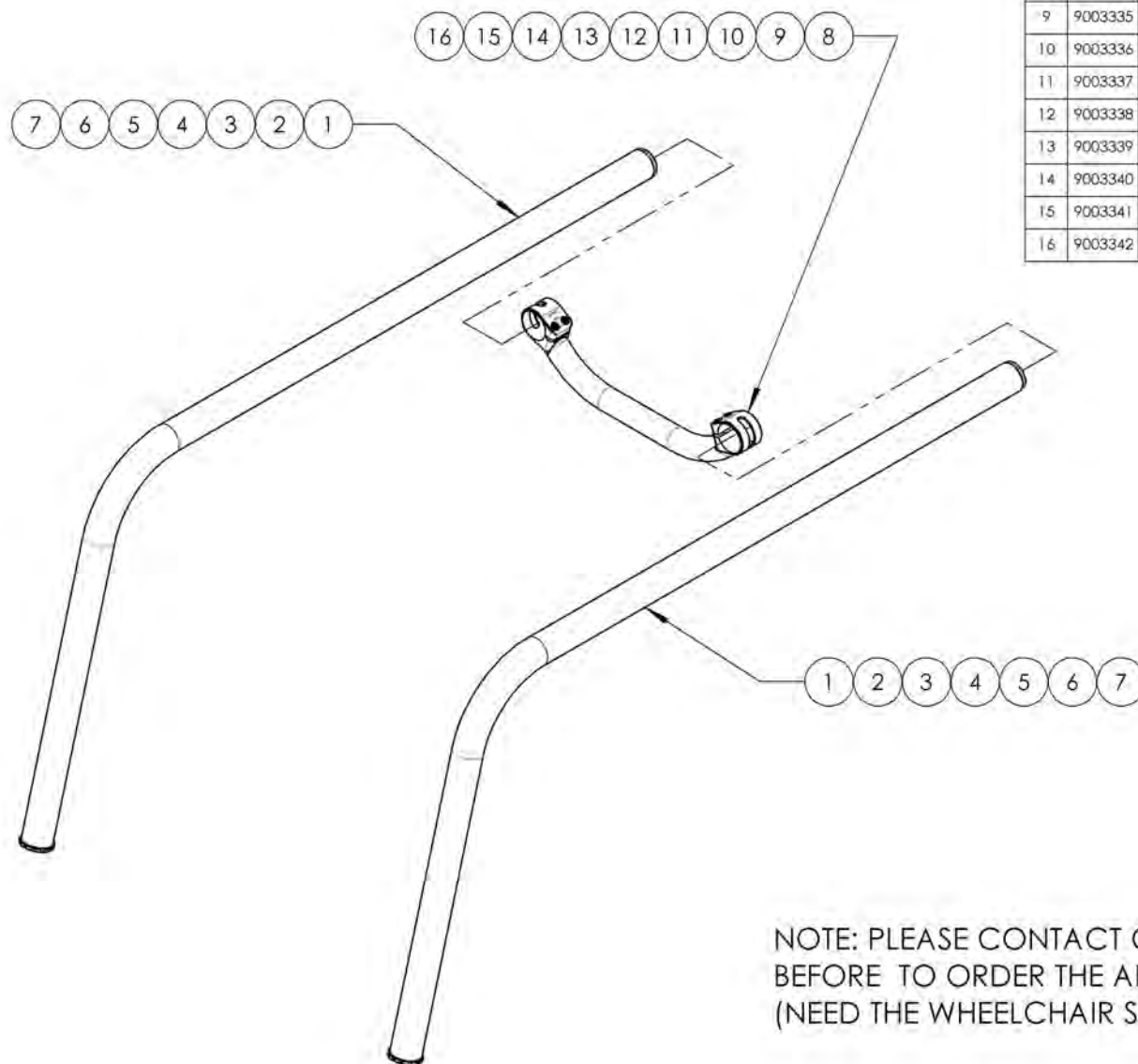
**Quick Order Catalogue**

COMPLETE ARMREST ASSEMBLY TYPE 2 (PAIR)	143
REAR WHEEL ASSEMBLY	146
WHEEL LOCK PAIR ASSEMBLY	148

Québec

**Frame Catalogue**  
**Apex Aluminum Frame Assembly**

NOTE: SERVICE AND/OR REPLACEMENT DONE BY  
 MOTION COMPOSITES



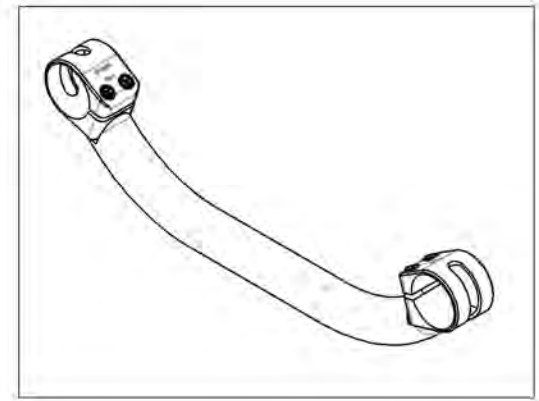
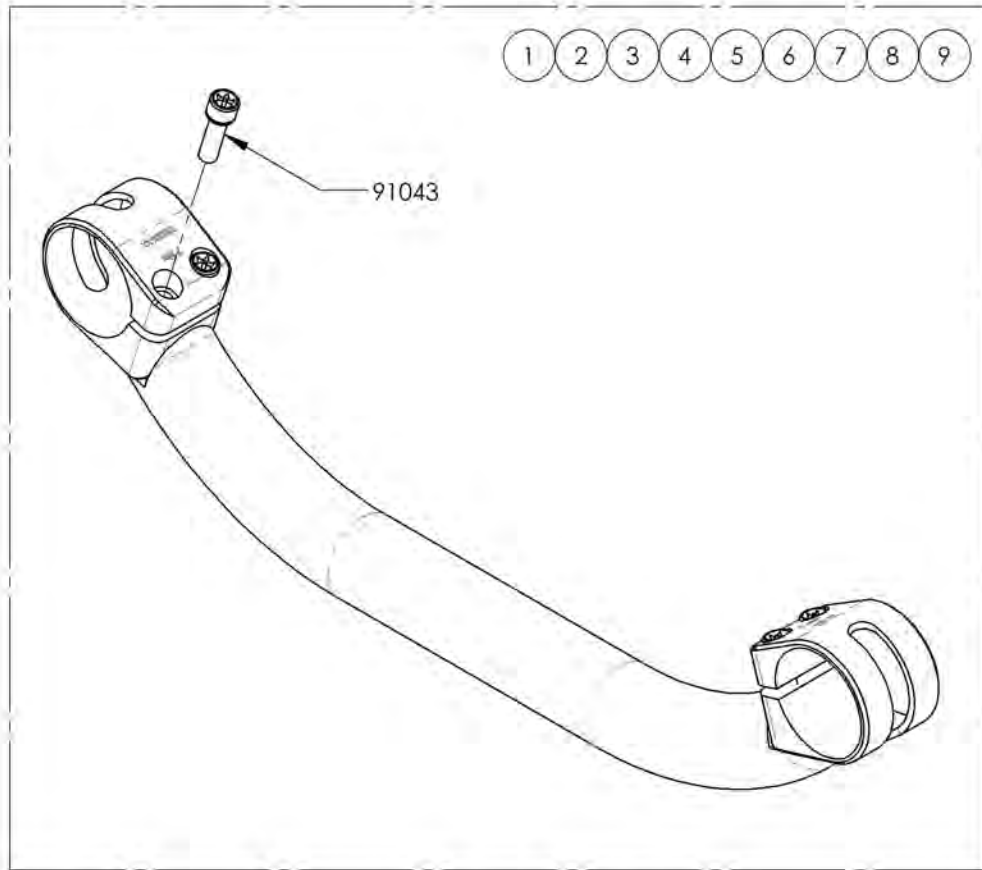
ITEM NO.	PARTNO	DESCRIPTION	QTY
1	9003233	Rigid Frame - Aluminum, 75 DEG Front Angle (Specify Seat Depth & Front STFH)	2
2	9003234	Rigid Frame - Aluminum, 80 DEG Front Angle (Specify Seat Depth & Front STFH)	2
3	9003235	Rigid Frame - Aluminum, 85 DEG Front Angle (Specify Seat Depth & Front STFH)	2
4	9003236	Rigid Frame - Aluminum, 90 DEG Front Angle (Specify Seat Depth & Front STFH)	2
5	9003237	Rigid Frame - Aluminum, 95 DEG Front Angle (Specify Seat Depth & Front STFH)	2
6	9003238	Rigid Frame - Aluminum, 100 DEG Front Angle (Specify Seat Depth & Front STFH)	2
7	9003239	Rigid Frame - Aluminum, 105 DEG Front Angle (Specify Seat Depth & Front STFH)	2
8	9003334	Seat Rigidizer - Aluminium, 12 in Width	1
9	9003335	Seat Rigidizer - Aluminium, 13 in Width	1
10	9003336	Seat Rigidizer - Aluminium, 14 in Width	1
11	9003337	Seat Rigidizer - Aluminium, 15 in Width	1
12	9003338	Seat Rigidizer - Aluminium, 16 in Width	1
13	9003339	Seat Rigidizer - Aluminium, 17 in Width	1
14	9003340	Seat Rigidizer - Aluminium, 18 in Width	1
15	9003341	Seat Rigidizer - Aluminium, 19 in Width	1
16	9003342	Seat Rigidizer - Aluminium, 20 in Width	1

NOTE: PLEASE CONTACT OUR CUSTOMER SERVICE  
 BEFORE TO ORDER THE APPROPRIATE FRAME ANGLE  
 (NEED THE WHEELCHAIR SERIAL NUMBER)

MAKE SURE TO HAVE YOUR SERIAL NUMBER  
 NEARBY WHEN ORDERING PARTS FOR YOUR  
 MOTION COMPOSITES WHEELCHAIR

**9003334 9003342**  
**Seat Rigidizer - Aluminium**

ITEM NO.	PARTNO	DESCRIPTION	9003334 /QTY.	9003335 /QTY.	9003336 /QTY.	9003337 /QTY.	9003338 /QTY.	9003339 /QTY.	9003340 /QTY.	9003341 /QTY.	9003342 /QTY.
1	10669	ALUMINUM FIXED FRAME SEAT RIGIDIZER 12in - ASSEMBLY	1	-	-	-	-	-	-	-	-
2	10670	ALUMINUM FIXED FRAME SEAT RIGIDIZER 13in - ASSEMBLY	-	1	-	-	-	-	-	-	-
3	10671	ALUMINUM FIXED FRAME SEAT RIGIDIZER 14in - ASSEMBLY	-	-	1	-	-	-	-	-	-
4	10672	ALUMINUM FIXED FRAME SEAT RIGIDIZER 15in - ASSEMBLY	-	-	-	1	-	-	-	-	-
5	10673	ALUMINUM FIXED FRAME SEAT RIGIDIZER 16in - ASSEMBLY	-	-	-	-	1	-	-	-	-
6	10674	ALUMINUM FIXED FRAME SEAT RIGIDIZER 17in - ASSEMBLY	-	-	-	-	-	1	-	-	-
7	10675	ALUMINUM FIXED FRAME SEAT RIGIDIZER 18in - ASSEMBLY	-	-	-	-	-	-	1	-	-
8	10676	ALUMINUM FIXED FRAME SEAT RIGIDIZER 19in - ASSEMBLY	-	-	-	-	-	-	-	1	-
9	10677	ALUMINUM FIXED FRAME SEAT RIGIDIZER 20in - ASSEMBLY	-	-	-	-	-	-	-	-	1



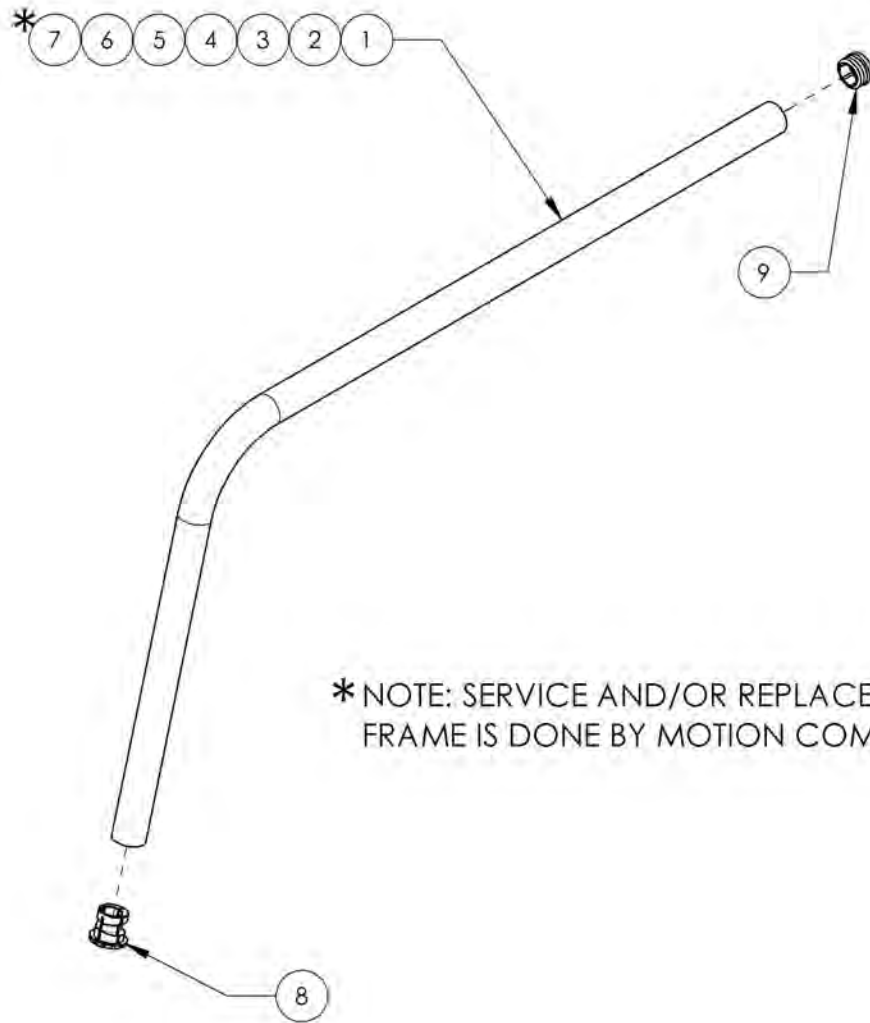
NOTE: SERVICE AND/OR REPLACEMENT DONE BY  
 MOTION COMPOSITES

MAKE SURE TO HAVE YOUR SERIAL NUMBER  
 NEARBY WHEN ORDERING PARTS FOR YOUR  
 MOTION COMPOSITES WHEELCHAIR

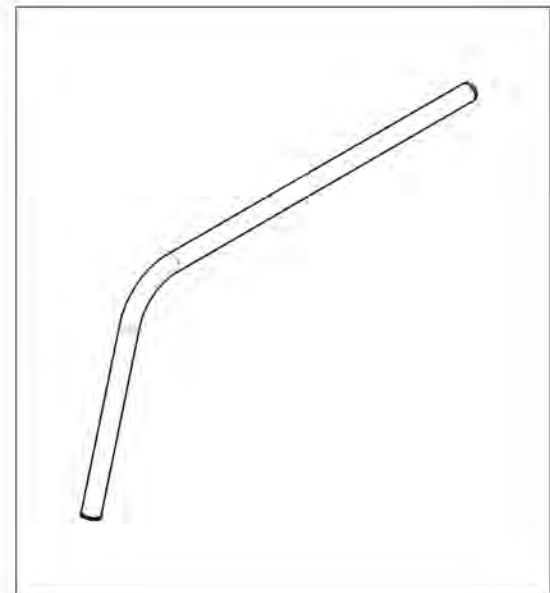
9003233\_9003239

**Rigid Frame - Aluminum (Specify Seat Depth & Front STFH)**

ITEM NO.	PARTNO	DESCRIPTION	9003233 /QTY.	9003234 /QTY.	9003235 /QTY.	9003236 /QTY.	9003237 /QTY.	9003238 /QTY.	9003239 /QTY.
1	10680	ALUMINUM FIXED FRAME TUBE 75 DEG	1	-	-	-	-	-	-
2	10681	ALUMINUM FIXED FRAME TUBE 80 DEG	-	1	-	-	-	-	-
3	10682	ALUMINUM FIXED FRAME TUBE 85 DEG	-	-	1	-	-	-	-
4	10683	ALUMINUM FIXED FRAME TUBE 90 DEG	-	-	-	1	-	-	-
5	10684	ALUMINUM FIXED FRAME TUBE 95 DEG	-	-	-	-	1	-	-
6	10685	ALUMINUM FIXED FRAME TUBE 100 DEG	-	-	-	-	-	1	-
7	10686	ALUMINUM FIXED FRAME TUBE 105 DEG	-	-	-	-	-	-	1
8	31249	FIXED FRAME FOOTREST SLEEVE	1	1	1	1	1	1	1
9	11035	FIXED FRAME PLASTIC END CAP BLACK	1	1	1	1	1	1	1



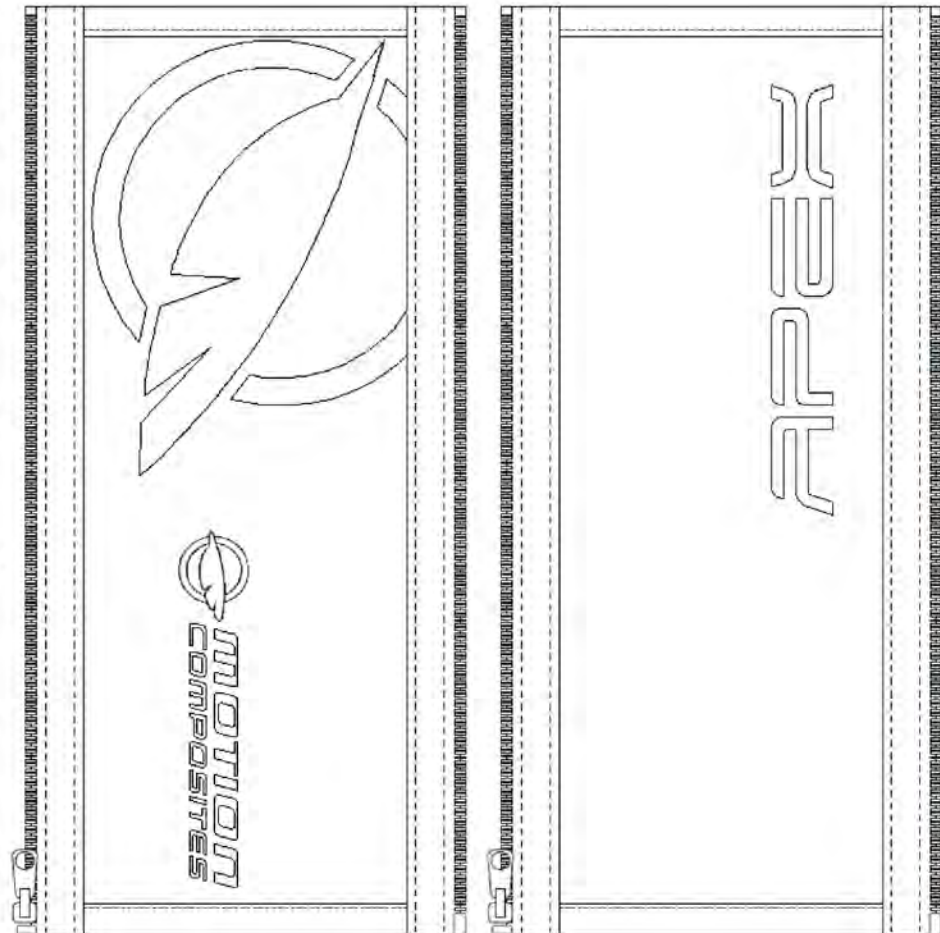
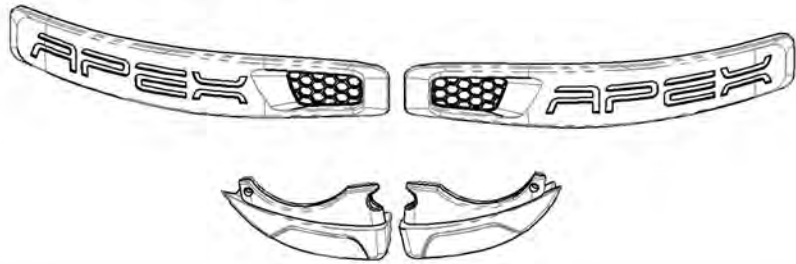
\* NOTE: SERVICE AND/OR REPLACEMENT FOR FRAME IS DONE BY MOTION COMPOSITES



MAKE SURE TO HAVE YOUR SERIAL NUMBER NEARBY WHEN ORDERING PARTS FOR YOUR MOTION COMPOSITES WHEELCHAIR

**Accessories Catalogue**  
**Color Highlight - Apex Aluminum**

- 1 2 3 4 5 6 7

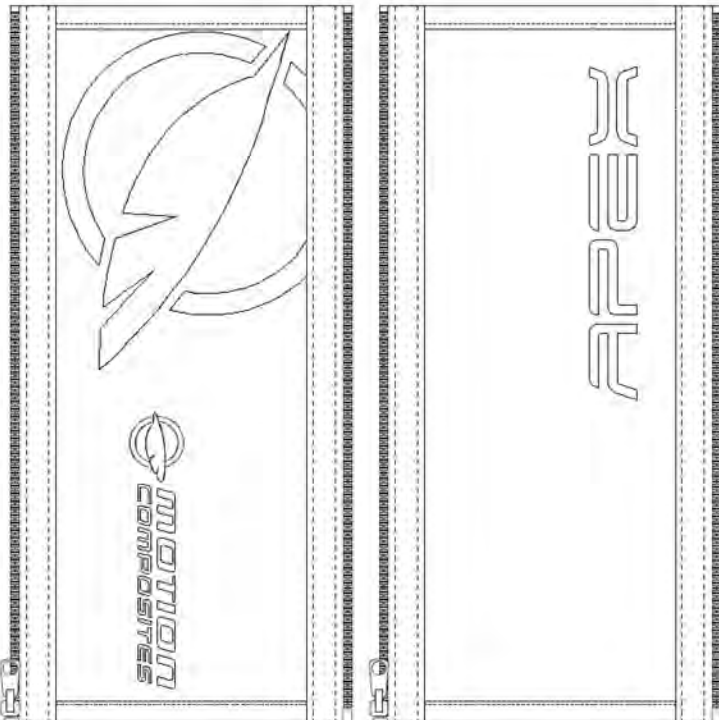
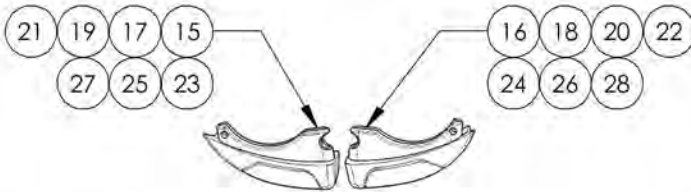
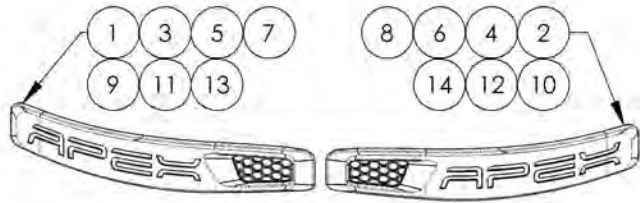


ITEM NO.	PARTNO	DESCRIPTION	QTY
1	9003670	Color Highlight - Apex Aluminum, Ferrari Red	1
2	9003671	Color Highlight - Apex Aluminum, Sky Blue	1
3	9003672	Color Highlight - Apex Aluminum, Sunkissed Orange	1
4	9003673	Color Highlight - Apex Aluminum, Acid Green	1
5	9003674	Color Highlight - Apex Aluminum, Fuchsia	1
6	9003675	Color Highlight - Apex Aluminum, Black	1
7	9003676	Color Highlight - Apex Aluminum, White	1



MAKE SURE TO HAVE YOUR SERIAL NUMBER  
 NEARBY WHEN ORDERING PARTS FOR YOUR  
 MOTION COMPOSITES WHEELCHAIR

**9003670\_9003676**  
**Color Highlight - Apex Aluminum**



ITEM NO.	PARTNO	DESCRIPTION	9003670 /QTY.	9003671 /QTY.	9003672 /QTY.	9003673 /QTY.	9003674 /QTY.	9003675 /QTY.	9003676 /QTY.
1	51256	APEX CASTER MOUNT - RED FERRARI PLASTIC GUARD RIGHT	1	-	-	-	-	-	-
2	51257	APEX CASTER MOUNT - RED FERRARI PLASTIC GUARD LEFT	1	-	-	-	-	-	-
3	51258	APEX CASTER MOUNT - SKY BLUE PLASTIC GUARD RIGHT	-	1	-	-	-	-	-
4	51259	APEX CASTER MOUNT - SKY BLUE PLASTIC GUARD LEFT	-	1	-	-	-	-	-
5	51260	APEX CASTER MOUNT - SUNKISSED ORANGE PLASTIC GUARD RIGHT	-	-	1	-	-	-	-
6	51261	APEX CASTER MOUNT - SUNKISSED ORANGE PLASTIC GUARD LEFT	-	-	1	-	-	-	-
7	51262	APEX CASTER MOUNT - ACID GREEN PLASTIC GUARD RIGHT	-	-	-	1	-	-	-
8	51263	APEX CASTER MOUNT - ACID GREEN PLASTIC GUARD LEFT	-	-	-	1	-	-	-
9	51264	APEX CASTER MOUNT - FUCHSIA PLASTIC GUARD RIGHT	-	-	-	-	1	-	-
10	51265	APEX CASTER MOUNT - FUCHSIA PLASTIC GUARD LEFT	-	-	-	-	1	-	-
11	51266	APEX CASTER MOUNT - BLACK PLASTIC GUARD RIGHT	-	-	-	-	-	1	-
12	51267	APEX CASTER MOUNT - BLACK PLASTIC GUARD LEFT	-	-	-	-	-	1	-
13	51268	APEX CASTER MOUNT - WHITE PLASTIC GUARD RIGHT	-	-	-	-	-	-	1
14	51269	APEX CASTER MOUNT - WHITE PLASTIC GUARD LEFT	-	-	-	-	-	-	1
15	21615	CAMBER TUBE CLAMP - FERRARI RED PLASTIC BUMPER, RIGHT	1	-	-	-	-	-	-
16	21616	CAMBER TUBE CLAMP - FERRARI RED PLASTIC BUMPER, LEFT	1	-	-	-	-	-	-
17	21617	CAMBER TUBE CLAMP - SKY BLUE PLASTIC BUMPER, RIGHT	-	1	-	-	-	-	-
18	21618	CAMBER TUBE CLAMP - SKY BLUE PLASTIC BUMPER, LEFT	-	1	-	-	-	-	-
19	21619	CAMBER TUBE CLAMP - SUNKISSED ORANGE PLASTIC BUMPER, RIGHT	-	-	1	-	-	-	-
20	21620	CAMBER TUBE CLAMP - SUNKISSED ORANGE PLASTIC BUMPER, LEFT	-	-	1	-	-	-	-
21	21621	CAMBER TUBE CLAMP - ACID GREEN PLASTIC BUMPER, RIGHT	-	-	-	1	-	-	-
22	21622	CAMBER TUBE CLAMP - ACID GREEN PLASTIC BUMPER, LEFT	-	-	-	1	-	-	-
23	21623	CAMBER TUBE CLAMP - FUCHSIA PLASTIC BUMPER, RIGHT	-	-	-	-	1	-	-
24	21624	CAMBER TUBE CLAMP - FUCHSIA PLASTIC BUMPER, LEFT	-	-	-	-	1	-	-
25	21625	CAMBER TUBE CLAMP - BLACK PLASTIC BUMPER, RIGHT	-	-	-	-	-	1	-
26	21626	CAMBER TUBE CLAMP - BLACK PLASTIC BUMPER, LEFT	-	-	-	-	-	1	-
27	21627	CAMBER TUBE CLAMP - WHITE PLASTIC BUMPER, RIGHT	-	-	-	-	-	-	1
28	21628	CAMBER TUBE CLAMP - WHITE PLASTIC BUMPER, LEFT	-	-	-	-	-	-	1
29	51249	APEX ALUMINUM FRAME NEOPREN IMPACT GUARD FERRARI RED (PAIR)	1	-	-	-	-	-	-
30	51250	APEX ALUMINUM FRAME NEOPREN IMPACT GUARD SKY BLUE (PAIR)	-	1	-	-	-	-	-
31	51251	APEX ALUMINUM FRAME NEOPREN IMPACT GUARD SUNKISSED ORANGE (PAIR)	-	-	1	-	-	-	-
32	51252	APEX ALUMINUM FRAME NEOPREN IMPACT GUARD ACID GREEN (PAIR)	-	-	-	1	-	-	-
33	51253	APEX ALUMINUM FRAME NEOPREN IMPACT GUARD FUCHSIA (PAIR)	-	-	-	-	1	-	-
34	51254	APEX ALUMINUM FRAME NEOPREN IMPACT GUARD CHARCOAL (PAIR)	-	-	-	-	-	1	-
35	51255	APEX ALUMINUM FRAME NEOPREN IMPACT GUARD WHITE (PAIR)	-	-	-	-	-	-	1

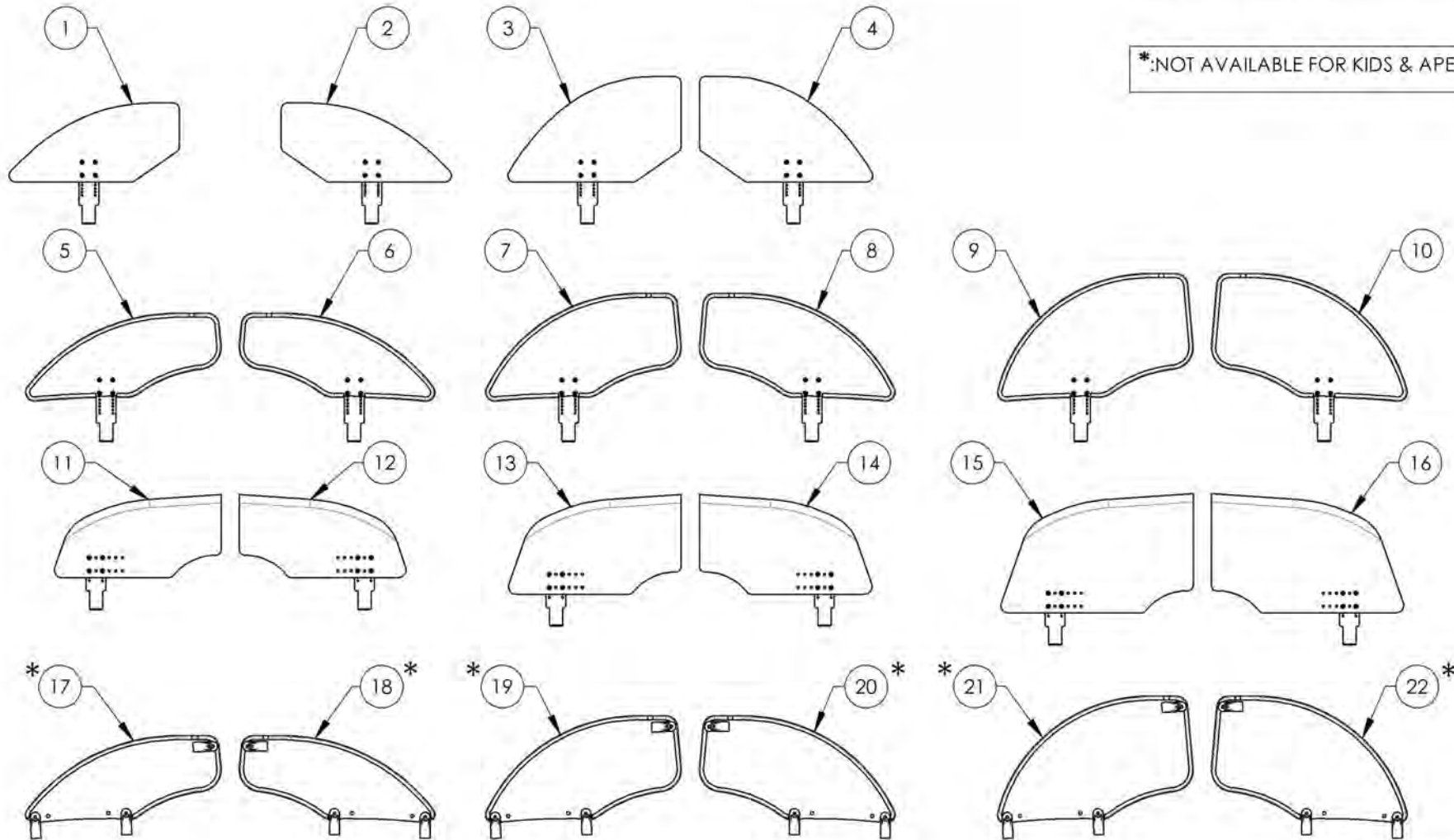


MAKE SURE TO HAVE YOUR SERIAL NUMBER NEARBY WHEN ORDERING PARTS FOR YOUR MOTION COMPOSITES WHEELCHAIR

# Accessories Catalogue Sideguards & Mudguards

ITEM NO.	PARTNO	DESCRIPTION	QTY.
1	9001295	Side Guard - Plastic, Removable, Right, Small	1
2	9001297	Side Guard - Plastic, Removable, Left, Small	1
3	9001296	Side Guard - Plastic, Removable, Right, Medium	1
4	9001298	Side Guard - Plastic, Removable, Left, Medium	1
5	9002489	Removable Side Guard - Carbon Fiber, Right, Small	1
6	9002492	Removable Side Guard - Carbon Fiber, Left, Small	1
7	9002490	Removable Side Guard - Carbon Fiber, Right, Medium	1
8	9002493	Removable Side Guard - Carbon Fiber, Left, Medium	1
9	9002491	Removable Side Guard - Carbon Fiber, Right, Large	1
10	9002494	Removable Side Guard - Carbon Fiber, Left, Large	1

ITEM NO.	PARTNO	DESCRIPTION	QTY.
11	9001319	Mud Guard - Carbon Fiber, Right, Small	1
12	9001322	Mud Guard - Carbon Fiber, Left, Small	1
13	9001320	Mud Guard - Carbon Fiber, Right, Medium	1
14	9001323	Mud Guard - Carbon Fiber, Left, Medium	1
15	9001321	Mud Guard - Carbon Fiber, Right, Large	1
16	9001324	Mud Guard - Carbon Fiber, Left, Large	1
17*	9001289	Side Guard - Carbon Fiber, Fixed, Right, Small	1
18*	9001292	Side Guard - Carbon Fiber, Fixed, Left, Small	1
19*	9001290	Side Guard - Carbon Fiber, Fixed, Right, Medium	1
20*	9001293	Side Guard - Carbon Fiber, Fixed, Left, Medium	1
21*	9001291	Side Guard - Carbon Fiber, Fixed, Right, Large	1
22*	9001294	Side Guard - Carbon Fiber, Fixed, Left, Large	1



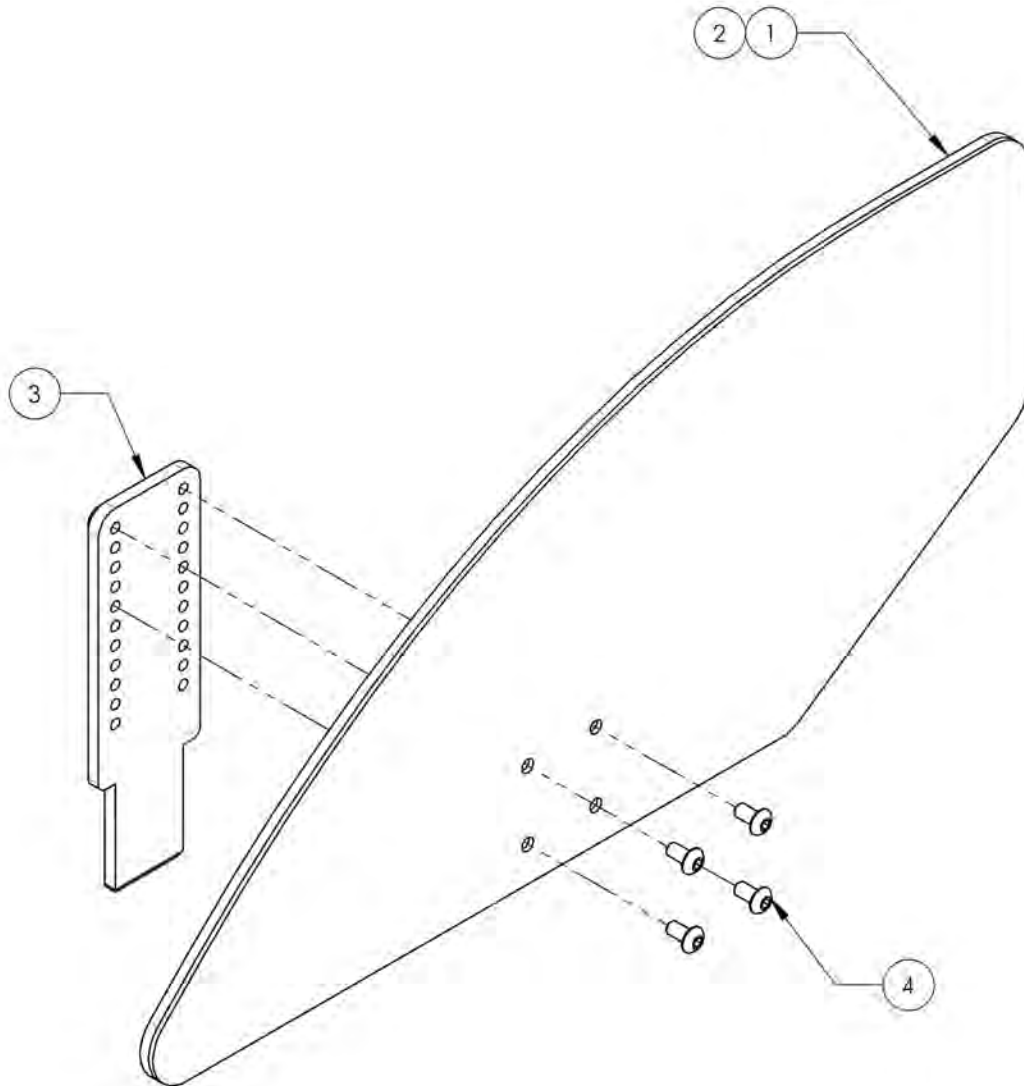
\*:NOT AVAILABLE FOR KIDS & APEX WHEELCHAIRS

MAKE SURE TO HAVE YOUR SERIAL NUMBER  
NEARBY WHEN ORDERING PARTS FOR YOUR  
MOTION COMPOSITES WHEELCHAIR

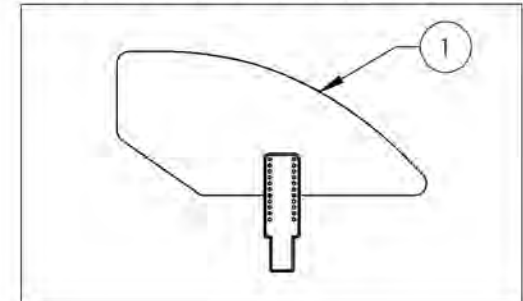


**9001295\_9001296**  
**Side Guard - Plastic, Removable, Right**

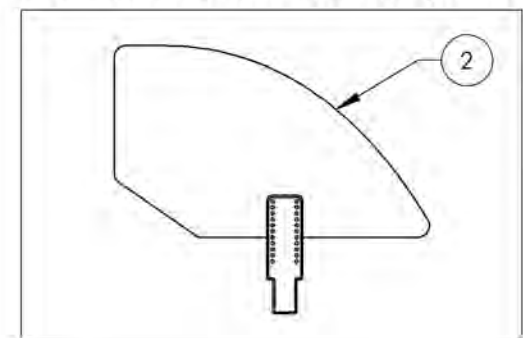
ITEM NO.	PARTNO	DESCRIPTION	9001295 /QTY.	9001296 /QTY.
1	51002	RIGID PLASTIC SIDE-GUARD SMALL - ASSEMBLY	1	-
2	51003	RIGID PLASTIC SIDE GUARD MEDIUM - ASSEMBLY	-	1
3	51118	MUDGUARD & SIDEGUARD ADJUSTING PLATE	1	1
4	90631	BUTTON HEAD CAP SCREW M4X0.7 X 8mm LONG, FULLY THREADED + BLUE THREADLOCKER - BLACK ZINC	4	4



9001295  
 Side Guard - Plastic, Removable, Right, Small



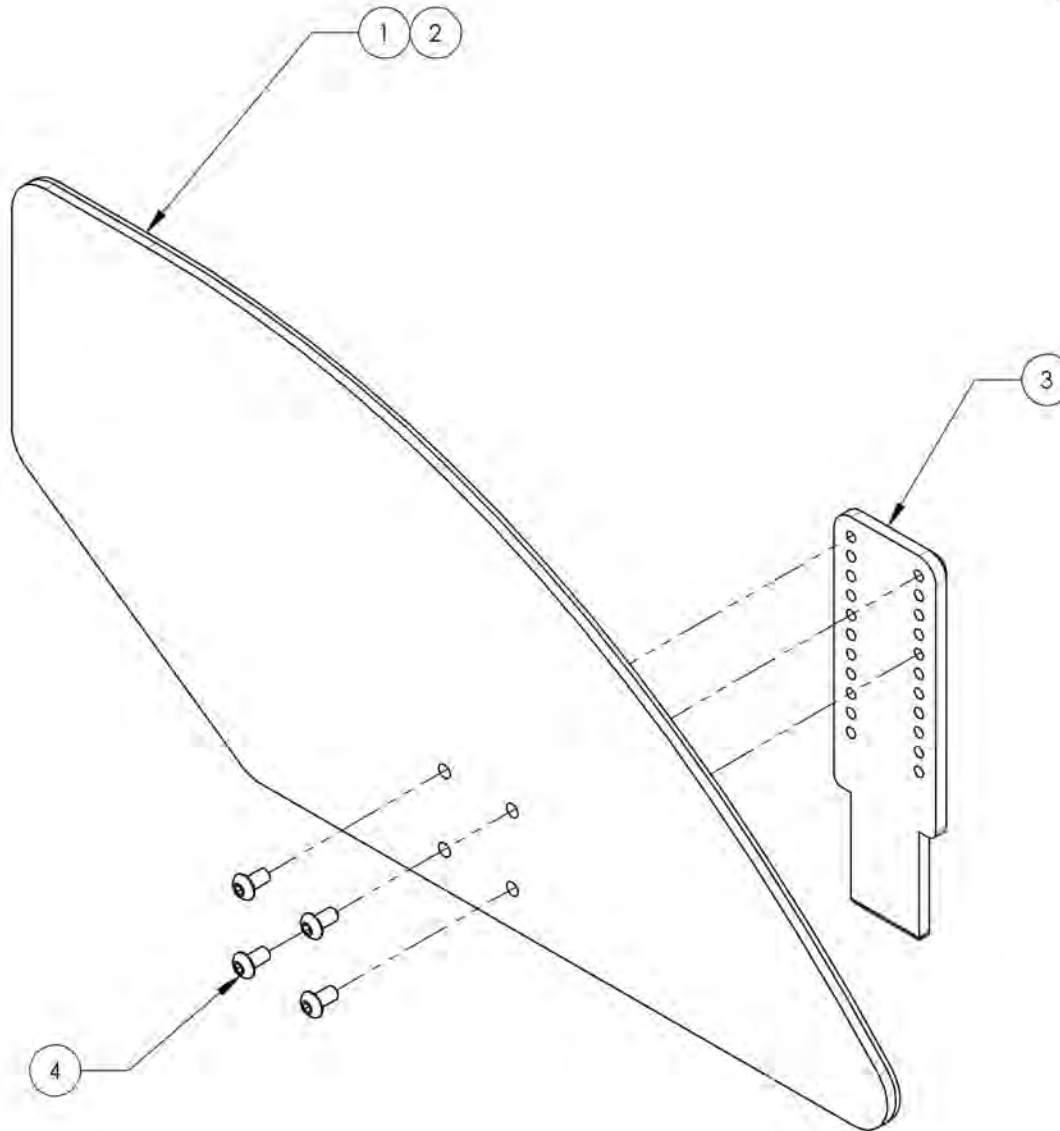
9001296  
 Side Guard - Plastic, Removable, Right, Medium



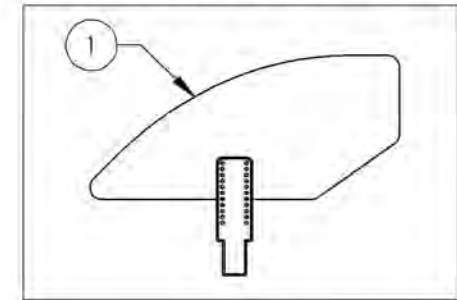
MAKE SURE TO HAVE YOUR SERIAL NUMBER  
 NEARBY WHEN ORDERING PARTS FOR YOUR  
 MOTION COMPOSITES WHEELCHAIR

**9001297\_9001298**  
**Side Guard - Plastic, Removable, Left**

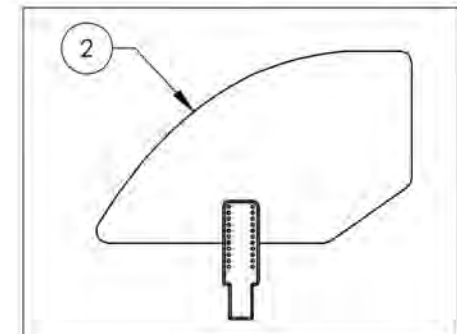
ITEM NO.	PARTNO	DESCRIPTION	9001297 /QTY.	9001298 /QTY.
1	51002	RIGID PLASTIC SIDE GUARD SMALL - ASSEMBLY	1	-
2	51003	RIGID PLASTIC SIDE GUARD MEDIUM - ASSEMBLY	-	1
3	51118	MUDGUARD & SIDEGUARD ADJUSTING PLATE	1	1
4	90631	BUTTON HEAD CAP SCREW M4X0.7 X 8mm LONG, FULLY THREADED + BLUE THREADLOCKER - BLACK ZINC	4	4



9001297  
 Side Guard - Plastic, Removable, Left, Small



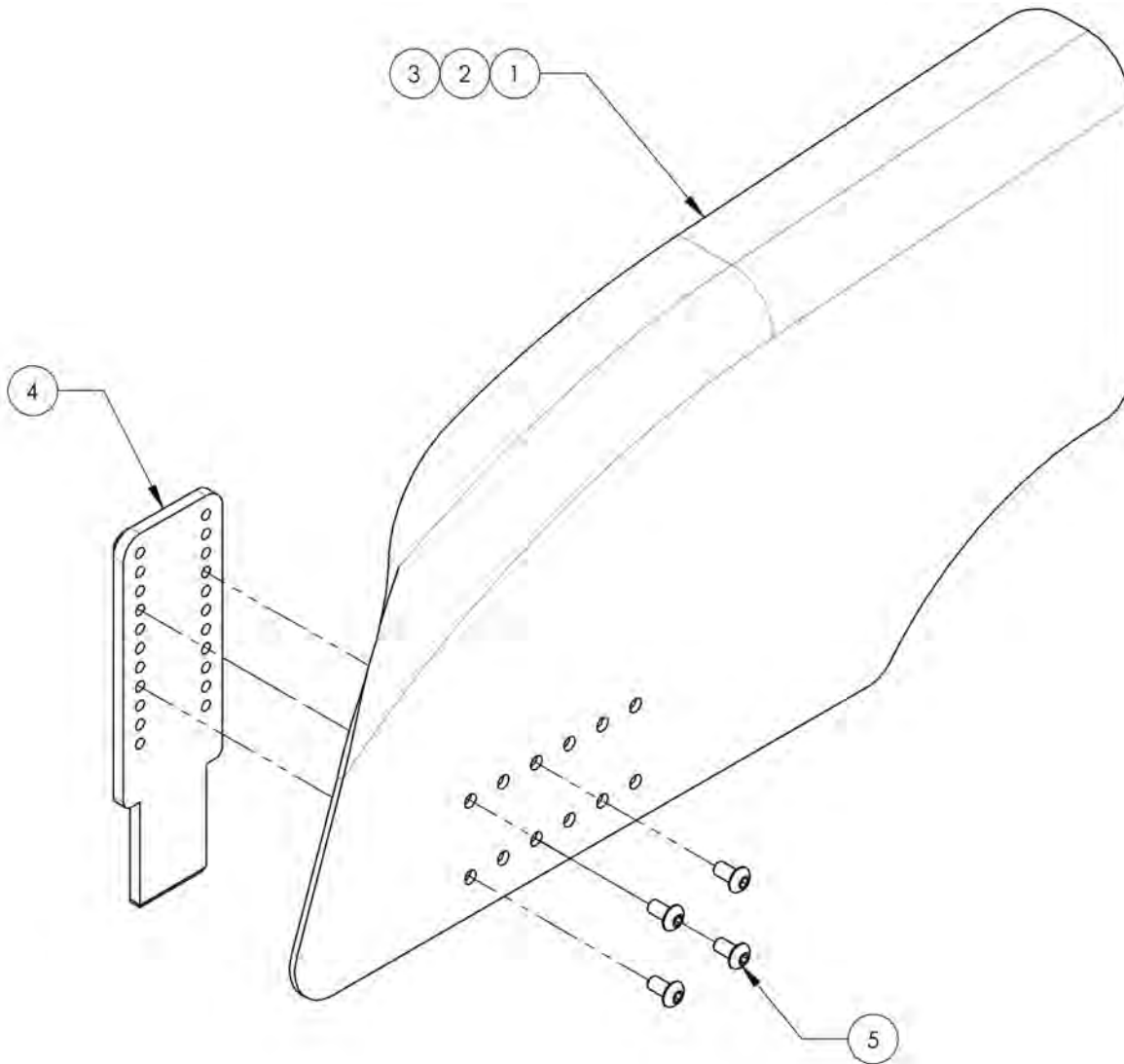
9001298  
 Side Guard - Plastic, Removable, Left, Medium



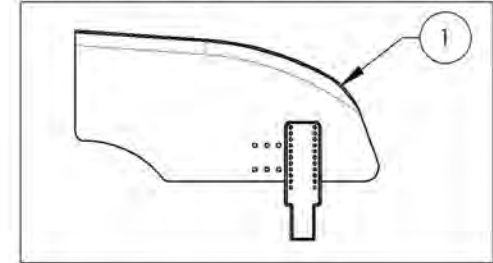
MAKE SURE TO HAVE YOUR SERIAL NUMBER  
 NEARBY WHEN ORDERING PARTS FOR YOUR  
 MOTION COMPOSITES WHEELCHAIR

**9001319\_9001321**  
**Mud Guard - Carbon Fiber, Right**

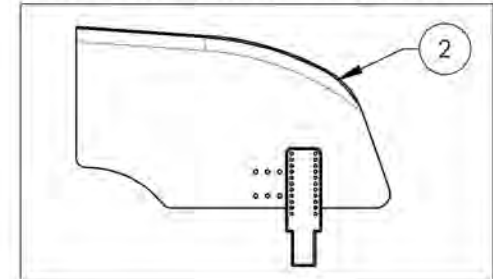
ITEM NO.	PARTNO	DESCRIPTION	9001319 /QTY.	9001320 /QTY.	9001321 /QTY.
1	51106	SMALL CARBON FIBER RIGHT MUDGUARD, H-160mm L-321mm	1	-	-
2	51108	MEDIUM CARBON FIBER RIGHT MUDGUARD, H-192mm L-332mm	-	1	-
3	51110	LARGE CARBON FIBER RIGHT MUDGUARD, H-230mm L-370mm	-	-	1
4	51118	MUDGUARD & SIDEGUARD ADJUSTING PLATE	1	1	1
5	9063	BUTTON HEAD CAP SCREW M4X0.7 X 8mm LONG, FULLY THREADED + BLUE THREADLOCKER - BLACK ZINC	4	4	4



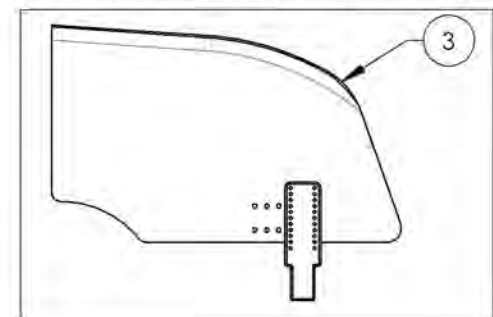
9001319  
Mud Guard - Carbon Fiber, Right, Small



9001320  
Mud Guard - Carbon Fiber, Right, Medium



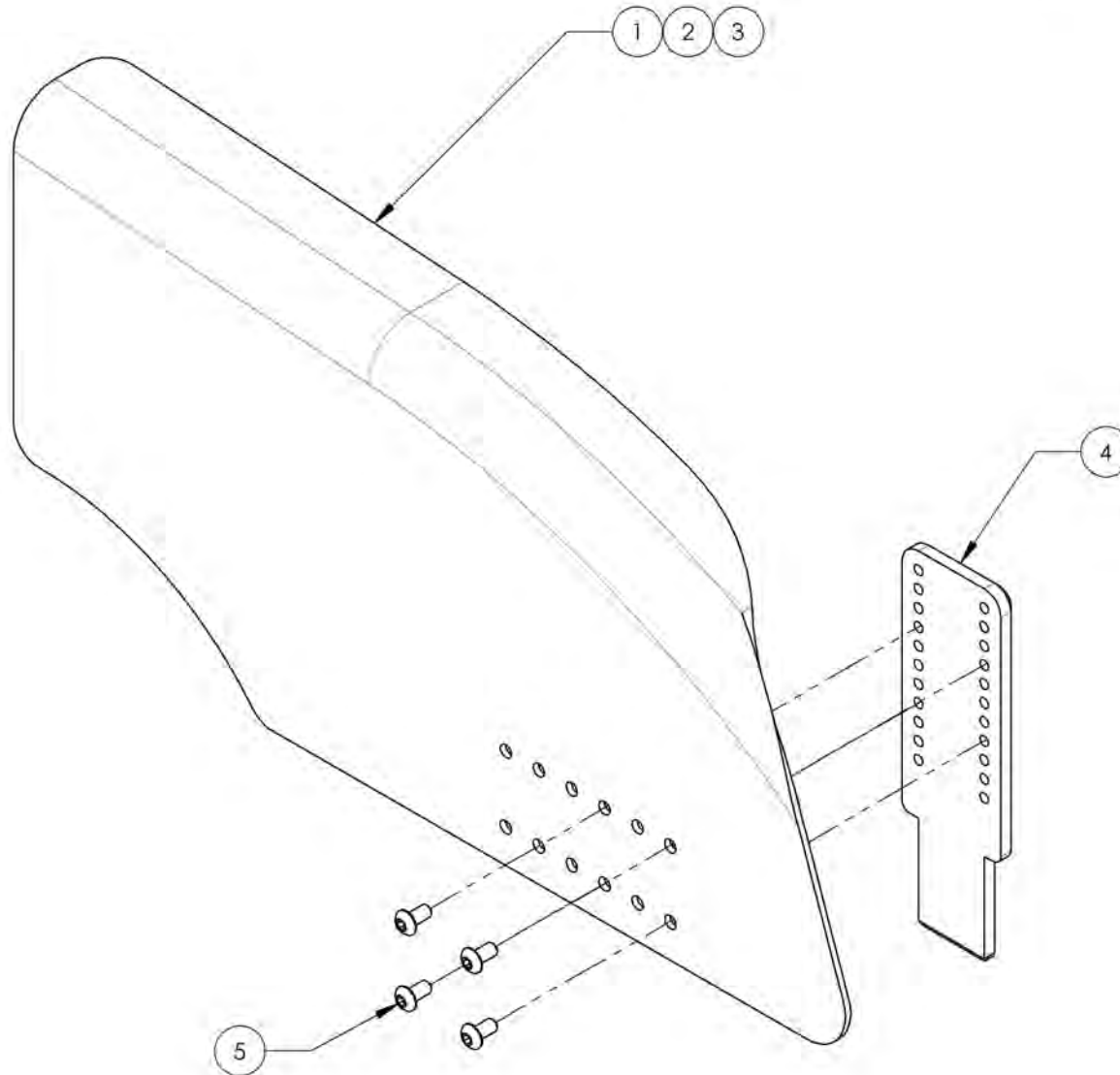
9001321  
Mud Guard - Carbon Fiber, Right, Large



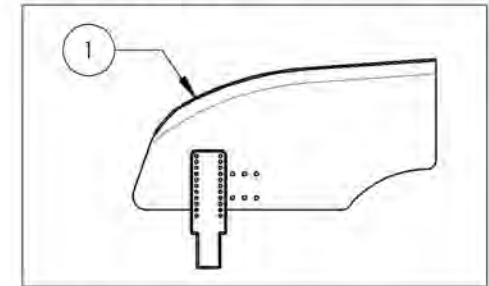
MAKE SURE TO HAVE YOUR SERIAL NUMBER  
NEARBY WHEN ORDERING PARTS FOR YOUR  
MOTION COMPOSITES WHEELCHAIR

**9001322\_9001324**  
**Mud Guard - Carbon Fiber, Left**

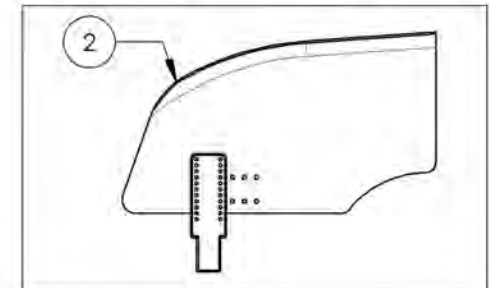
ITEM NO.	PARTNO	DESCRIPTION	9001322 /QTY.	9001323 /QTY.	9001324 /QTY.
1	51107	SMALL CARBON FIBER LEFT MUDGUARD, H-1600mm L-321mm	1	-	-
2	51109	MEDIUM CARBON FIBER LEFT MUDGUARD, H-192mm L-332mm	-	1	-
3	51111	LARGE CARBON FIBER LEFT MUDGUARD, H-230mm L-370mm	-	-	1
4	51118	MUDGUARD & SIDEGUARD ADJUSTING PLATE	1	1	1
5	90631	BUTTON HEAD CAP SCREW M4X0.7 X 8mm LONG, FULLY THREADED + BLUE THREADLOCKER - BLACK ZINC	4	4	4



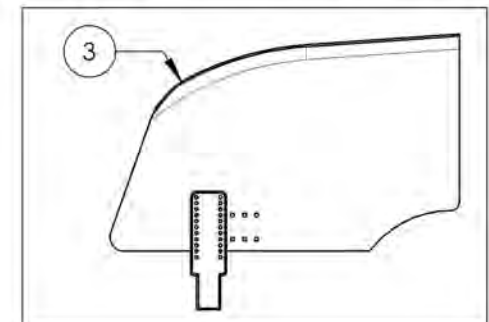
9001322  
Mud Guard - Carbon Fiber, Left, Small



9001323  
Mud Guard - Carbon Fiber, Left, Medium



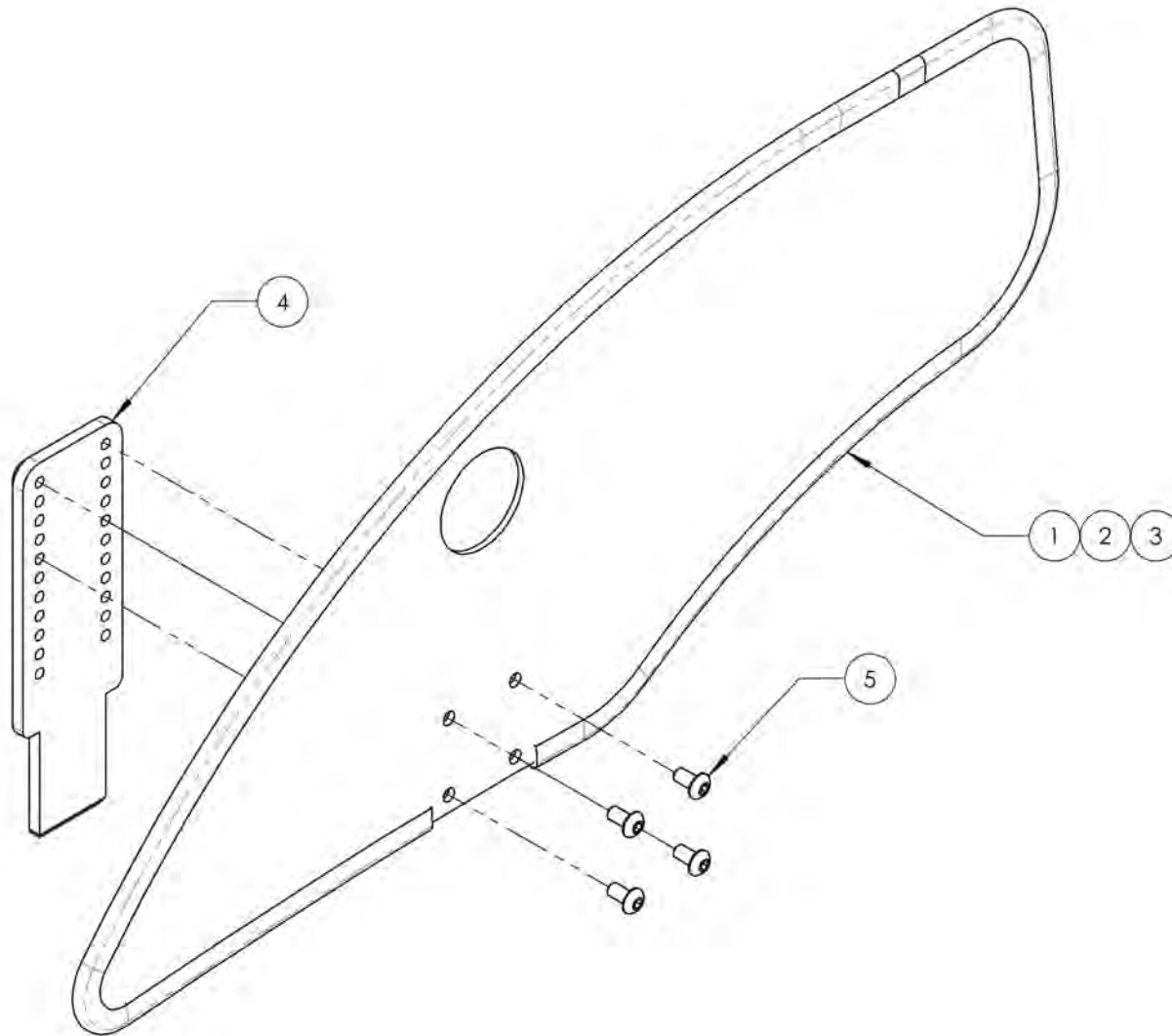
9001324  
Mud Guard - Carbon Fiber, Left, Large



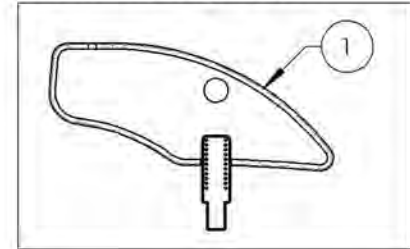
MAKE SURE TO HAVE YOUR SERIAL NUMBER  
NEARBY WHEN ORDERING PARTS FOR YOUR  
MOTION COMPOSITES WHEELCHAIR

**9002489\_9002491**  
**Removable Side Guard - Carbon Fiber, Right**

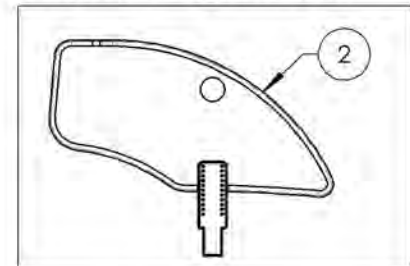
ITEM NO.	PARTNO	DESCRIPTION	9002489 /QTY.	9002490 /QTY.	9002491 /QTY.
1	51213	SMALL AJUSTABLE CARBON FIBER SIDEGUARD, H-165mm L-372mm - ASSEMBLY	1	-	-
2	51214	MEDIUM AJUSTABLE CARBON FIBER SIDEGUARD, H-203mm L-372mm - ASSEMBLY	-	1	-
3	51215	LARGE AJUSTABLE CARBON FIBER SIDEGUARD, H-241mm L-372mm - ASSEMBLY	-	-	1
4	51118	MUDGUARD & SIDEGUARD ADJUSTING PLATE	1	1	1
5	90631	BUTTON HEAD CAP SCREW M4X0.7 X 8mm LONG, FULLY THREADED + BLUE THREADLOCKER - BLACK ZINC	4	4	4



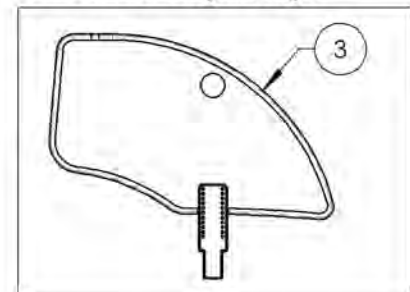
9002489  
 Removable Side Guard -  
 Carbon Fiber, Right, Small



9002490  
 Removable Side Guard -  
 Carbon Fiber, Right, Medium



9002491  
 Removable Side Guard -  
 Carbon Fiber, Right, Large

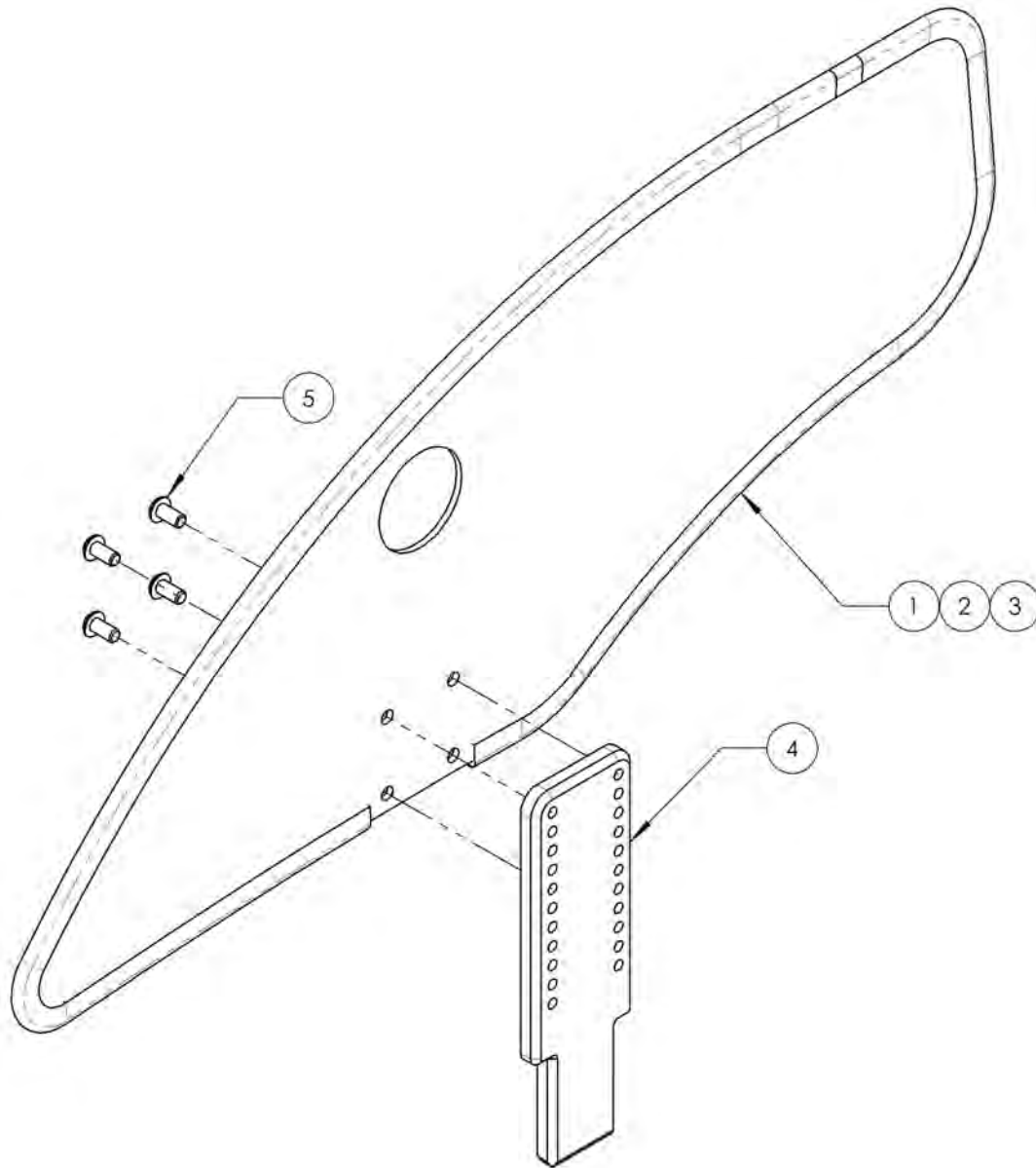


MAKE SURE TO HAVE YOUR SERIAL NUMBER  
 NEARBY WHEN ORDERING PARTS FOR YOUR  
 MOTION COMPOSITES WHEELCHAIR

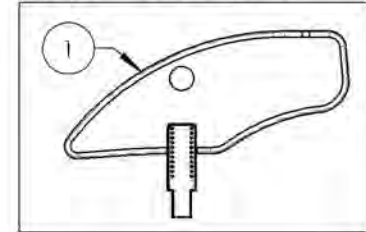
**9002492\_9002494**

**Removable Side Guard - Carbon Fiber, Left**

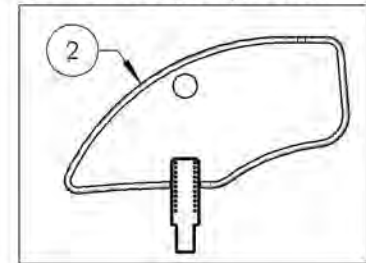
ITEM NO.	PARTNO	DESCRIPTION	9002492 /QTY.	9002493 /QTY.	9002494 /QTY.
1	51213	SMALL AJUSTABLE CARBON FIBER SIDEGUARD, H-165mm L-372mm - ASSEMBLY	1	-	-
2	51214	MEDIUM AJUSTABLE CARBON FIBER SIDEGUARD, H-203mm L-372mm - ASSEMBLY	-	1	-
3	51215	LARGE AJUSTABLE CARBON FIBER SIDEGUARD, H-241mm L-372mm - ASSEMBLY	-	-	1
4	51118	MUDGUARD & SIDEGUARD ADJUSTING PLATE	1	1	1
5	90631	BUTTON HEAD CAP SCREW M4X0.7 X 8mm LONG, FULLY THREADED + BLUE THREADLOCKER - BLACK ZINC	4	4	4



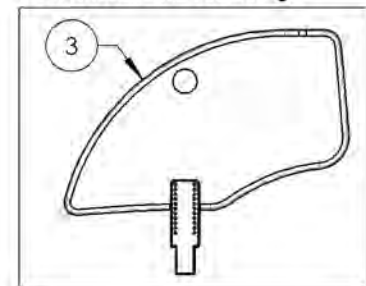
9002492  
Removable Side Guard -  
Carbon Fiber, Left, Small



9002493  
Removable Side Guard -  
Carbon Fiber, Left, Medium



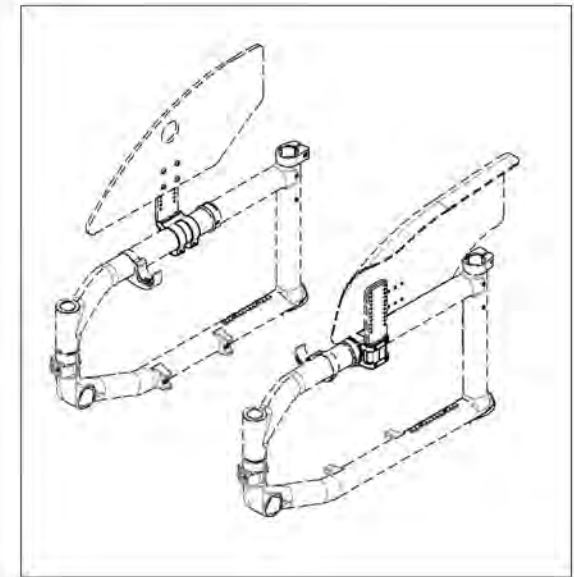
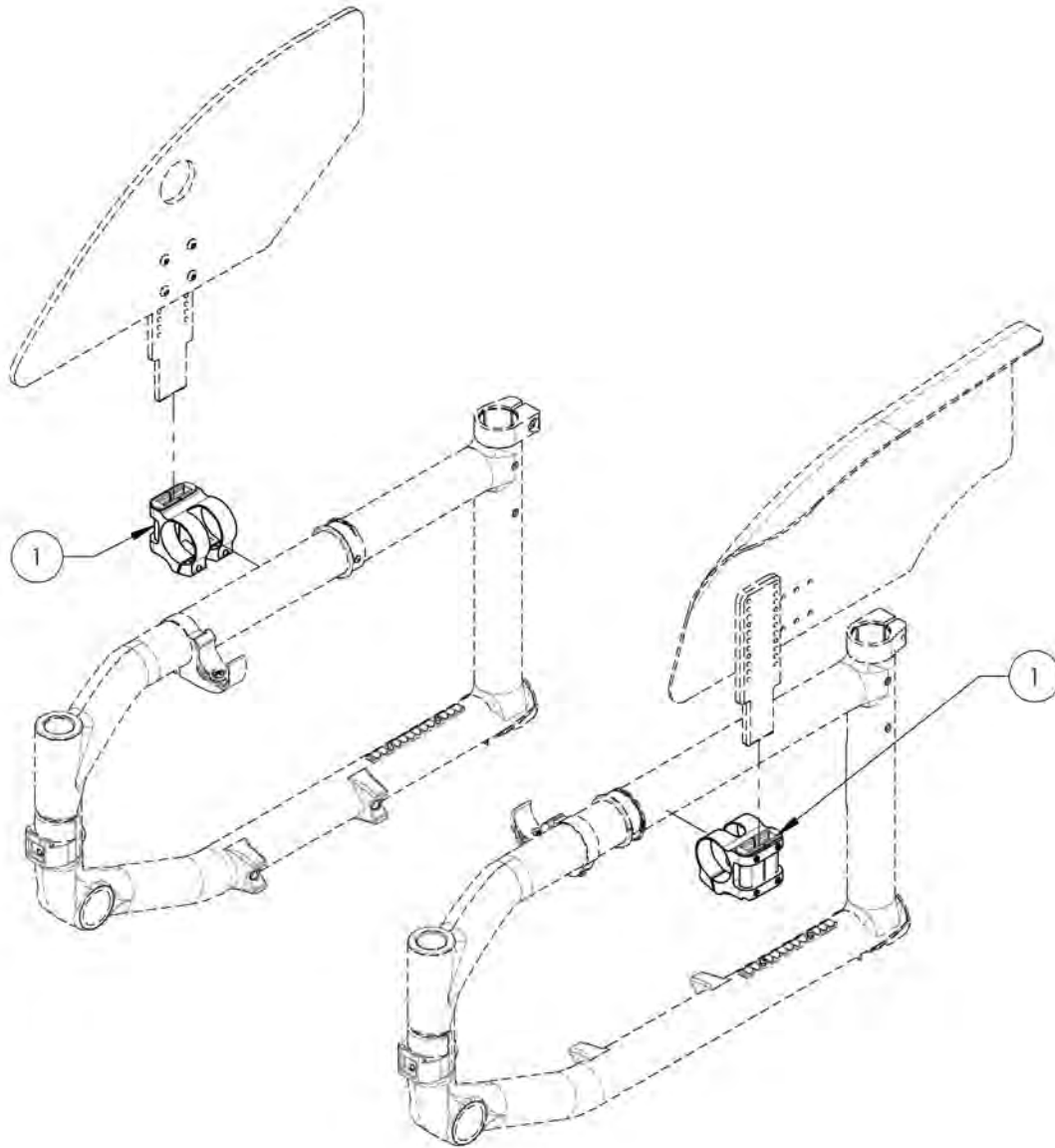
9002494  
Removable Side Guard -  
Carbon Fiber, Left, Large



MAKE SURE TO HAVE YOUR SERIAL NUMBER  
NEARBY WHEN ORDERING PARTS FOR YOUR  
MOTION COMPOSITES WHEELCHAIR

**Accessories Catalogue**  
**Removable Sideguard & Mudguard Receivers**

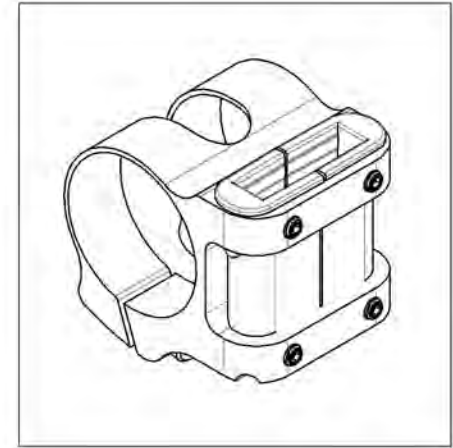
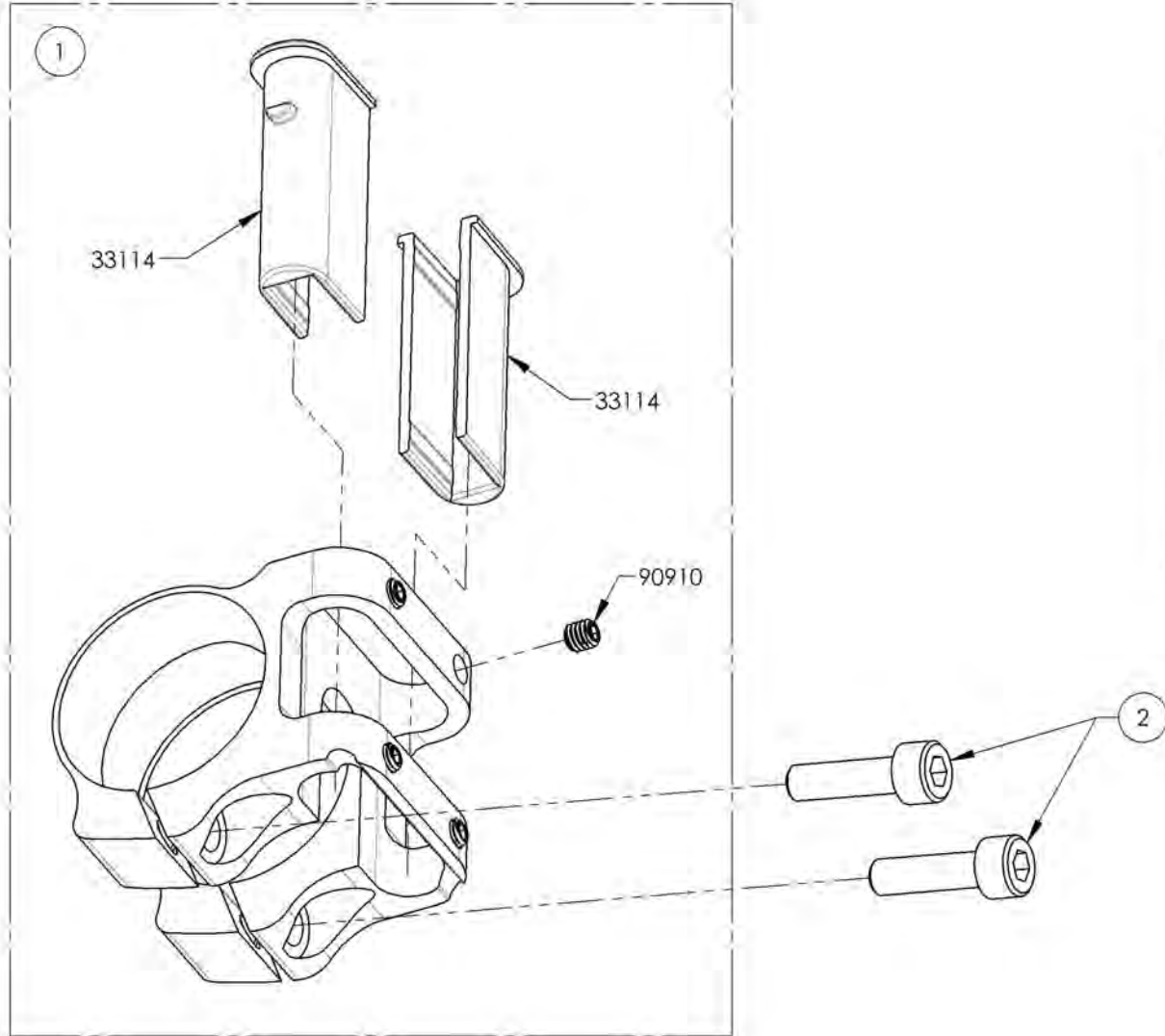
ITEM NO.	PARTNO	DESCRIPTION	QTY
1	9001327	Removable Mud Guard & Side Guard - Receiver	2



MAKE SURE TO HAVE YOUR SERIAL NUMBER  
NEARBY WHEN ORDERING PARTS FOR YOUR  
MOTION COMPOSITES WHEELCHAIR

**9001327**  
**Removable Mud Guard & Side Guard - Receiver**

ITEM NO.	PARTNO	DESCRIPTION	9001327 /QTY.
1	33557	V2 SIDEGUARD RECEIVER - ASSEMBLY	1
2	90748	SOCKET CAP SCREW M5X0.8 X 18mm LONG, FULLY THREADED + BLUE TREADLOCKER - BLACK ZINC	2



MAKE SURE TO HAVE YOUR SERIAL NUMBER NEARBY WHEN ORDERING PARTS FOR YOUR MOTION COMPOSITES WHEELCHAIR



**Accessories Catalogue**  
**Sideguards - Cloth**

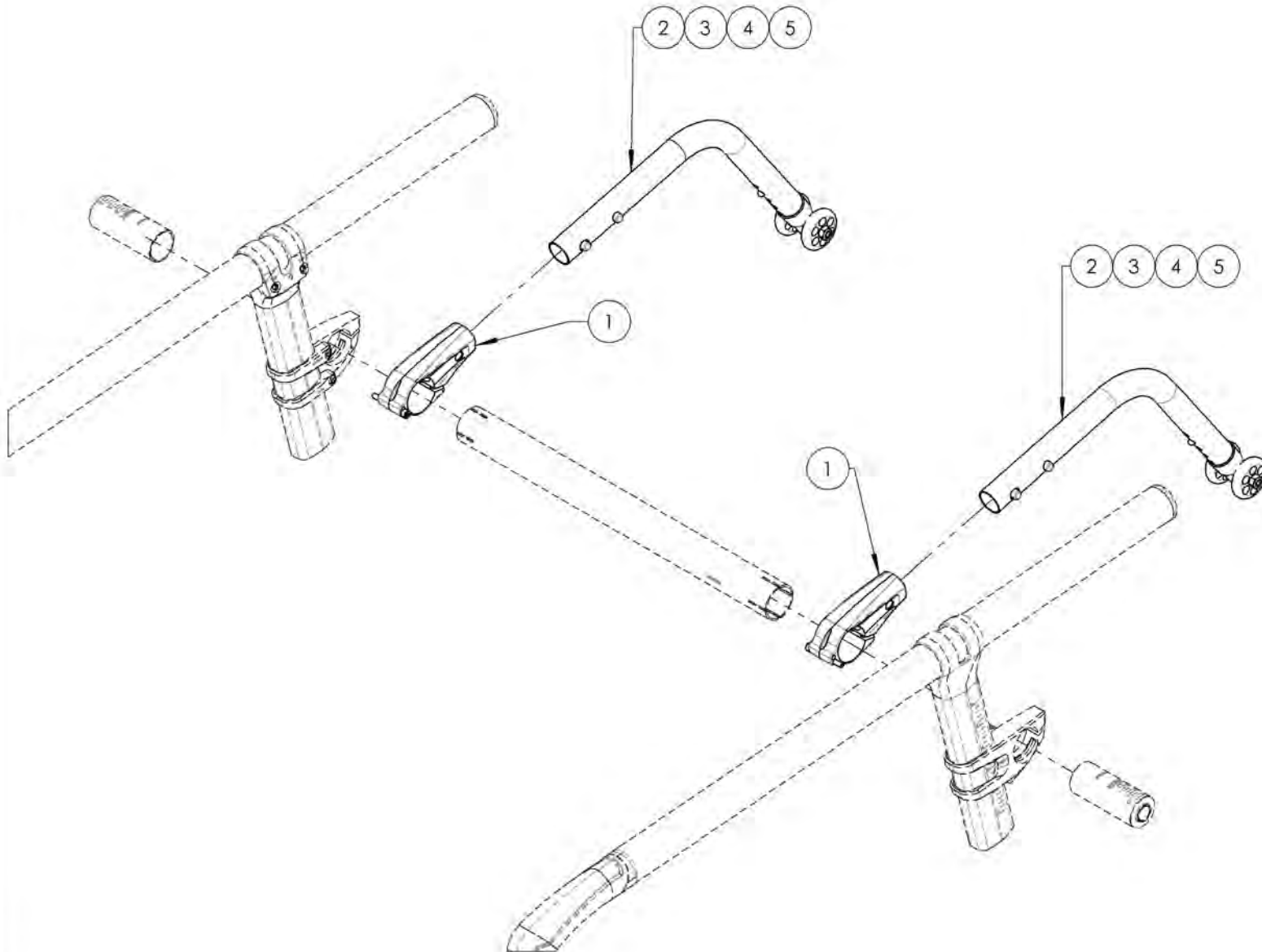
ITEM NO.	PARTNO	DESCRIPTION	QTY
1	9002523	Side Guard - Clothes	1



MAKE SURE TO HAVE YOUR SERIAL NUMBER  
NEARBY WHEN ORDERING PARTS FOR YOUR  
MOTION COMPOSITES WHEELCHAIR

**Accessories Catalogue**  
**Anti-tippers & Receiver**

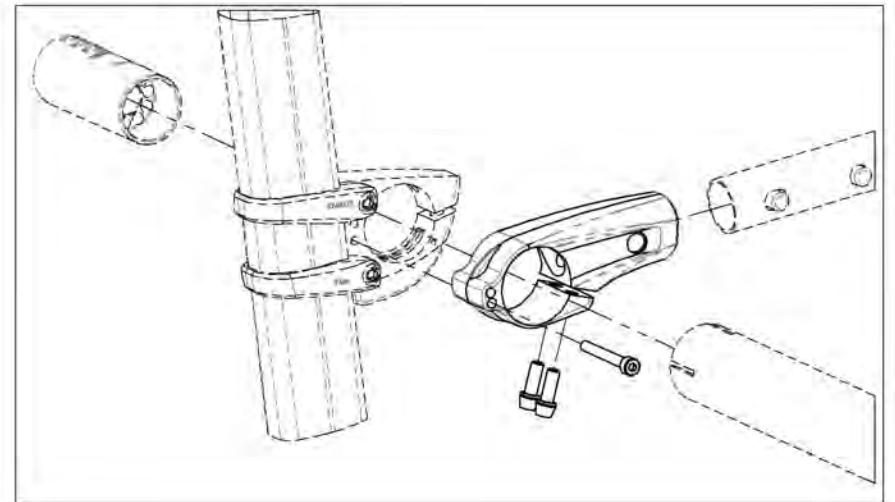
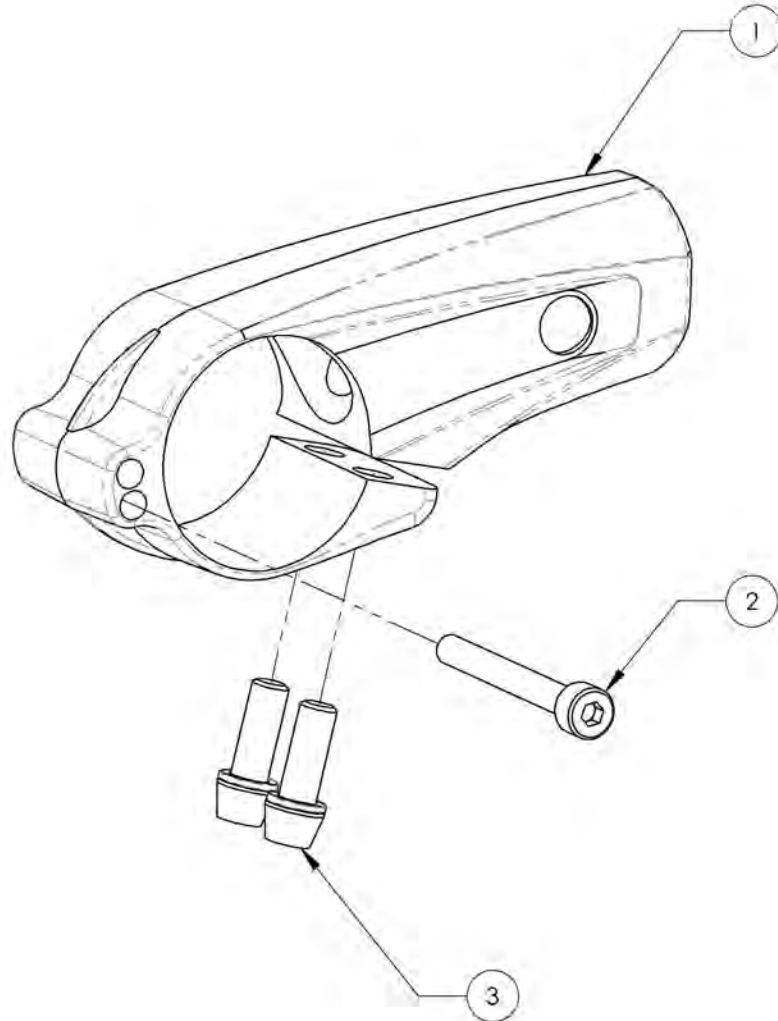
ITEM NO.	PARTNO	DESCRIPTION	QTY
1	9003662	Anti-Tipper - Receiver	2
2	9003658	Anti-Tipper Small + Short Extension (for 20 & 22 in Wheels)	2
3	9003659	Anti-Tipper Small + Long Extension (for 20 & 22 in Wheels)	2
4	9003660	Anti-Tipper Large + Short Extension (for 24, 25 & 26 in Wheels)	2
5	9003661	Anti-Tipper Large + Long Extension (for 24, 25 & 26 in Wheels)	2



MAKE SURE TO HAVE YOUR SERIAL NUMBER  
 NEARBY WHEN ORDERING PARTS FOR YOUR  
 MOTION COMPOSITES WHEELCHAIR

**9003662**  
**Anti-Tipper - Receiver**

ITEM NO.	PARTNO	DESCRIPTION	9003662 /QTY.
1	51310	FIXED FRAME ANTI-TIPPER RECEIVER	1
2	90733	SOCKET CAP SCREW M4X0.7 X 35mm LONG, 20mm THREADED + BLUE TREADLOCKER - BLACK ZINC	1
3	92024	TAPER HEAD CAP SCREW+WASHER M5X0.8 X 14mm LONG, FULLY THREADED + BLUE THREADLOCKER	2

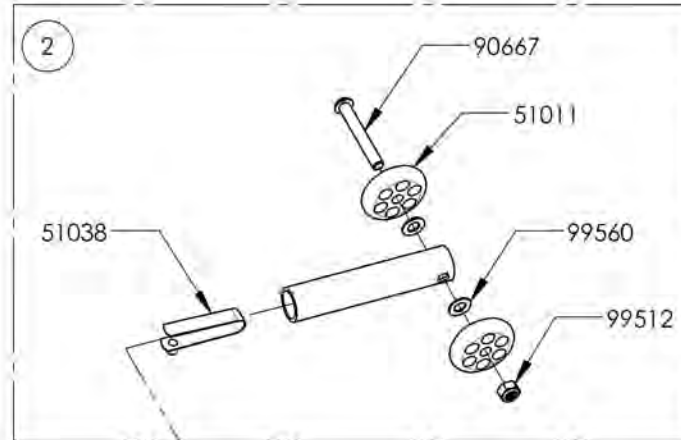


MAKE SURE TO HAVE YOUR SERIAL NUMBER  
 NEARBY WHEN ORDERING PARTS FOR YOUR  
 MOTION COMPOSITES WHEELCHAIR

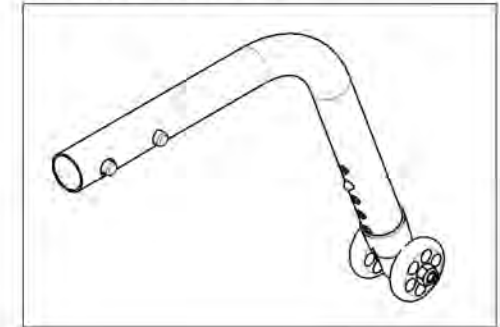
**9003658 9003659**

**Anti-Tipper Small + Extension (for 20 & 22 in Wheels)**

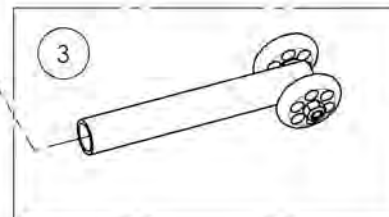
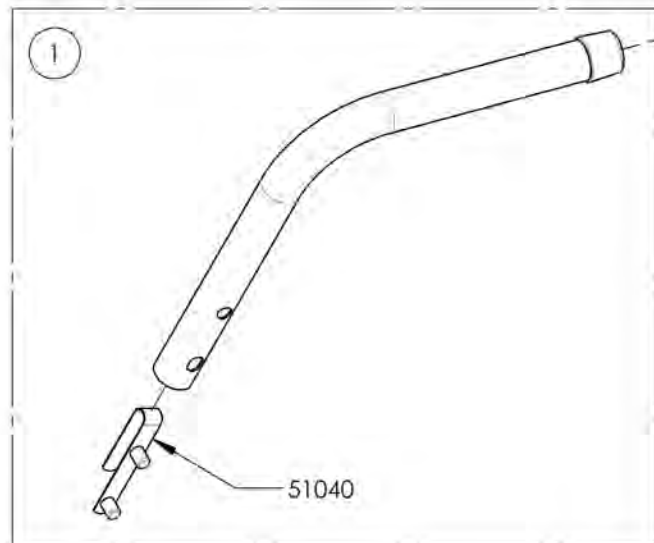
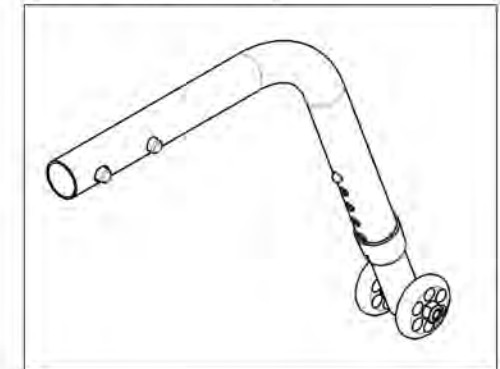
ITEM NO.	PARTNO	DESCRIPTION	9003658 /QTY.	9003659 /QTY.
1	51544	FIXED FRAME ANTI-TIPPER SMALL 20 & 22in - ASSEMBLY	1	1
2	51517	ANTI-TIPPER EXTENSION SHORT V2 - ASSEMBLY	1	1
3	51518	ANTI-TIPPER EXTENSION LONG V2 - ASSEMBLY	1	1



9003658  
Anti-Tipper Small + Short Extension  
(for 20 & 22 in Wheels)



9003659  
Anti-Tipper Small + Long Extension  
(for 20 & 22 in Wheels)

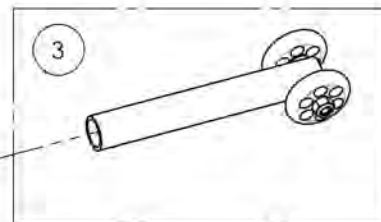
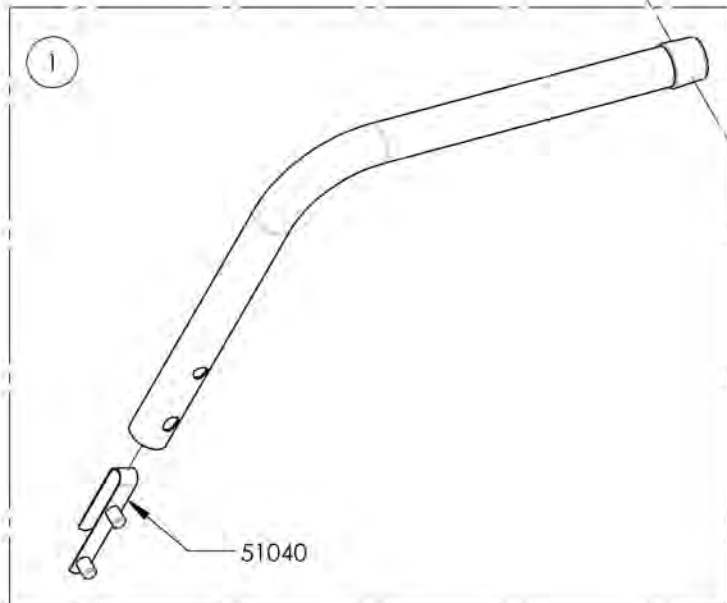
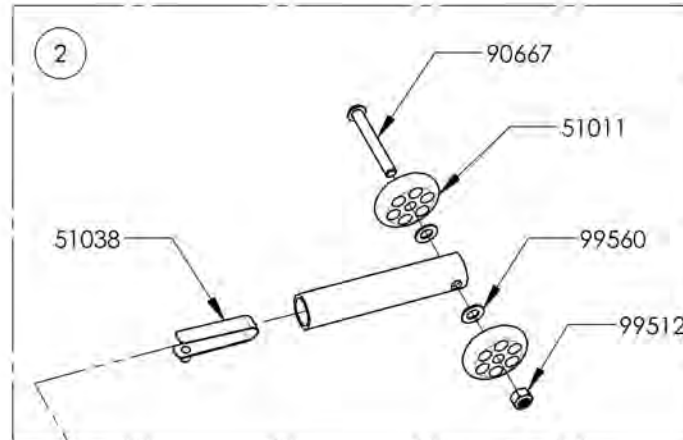


ASSUREZ-VOUS D'AVOIR VOTRE NUMÉRO DE SÉRIE  
PRÈS DE VOUS AVANT DE COMMANDER DES PIÈCES  
POUR VOTRE FAUTEUIL MOTION COMPOSITES

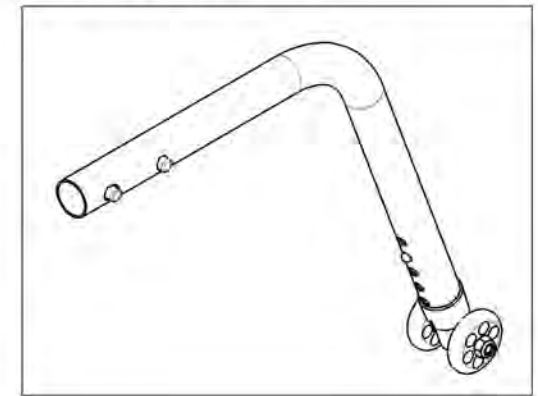
**9003660\_9003661**

**Anti-Tipper Large + Extension (for 24, 25 & 26 in Wheels)**

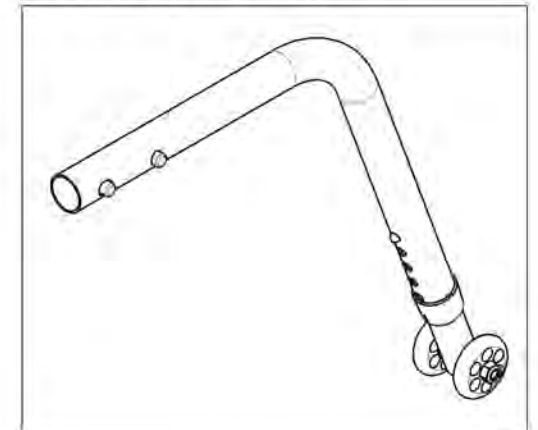
ITEM NO.	PARTNO	DESCRIPTION	9003660 /QTY.	9003661 /QTY.
1	51545	FIXED FRAME ANTI-TIPPER LARGE 24, 25 & 26in - ASSEMBLY	1	1
2	51517	ANTI-TIPPER EXTENSION SHORT V2 - ASSEMBLY	1	-
3	51518	ANTI-TIPPER EXTENSION LONG V2 - ASSEMBLY	-	1



9003660  
Anti-Tipper Large + Short Extension  
(for 24, 25 & 26 in Wheels)



9003661  
Anti-Tipper Large + Long Extension  
(for 24, 25 & 26 in Wheels)

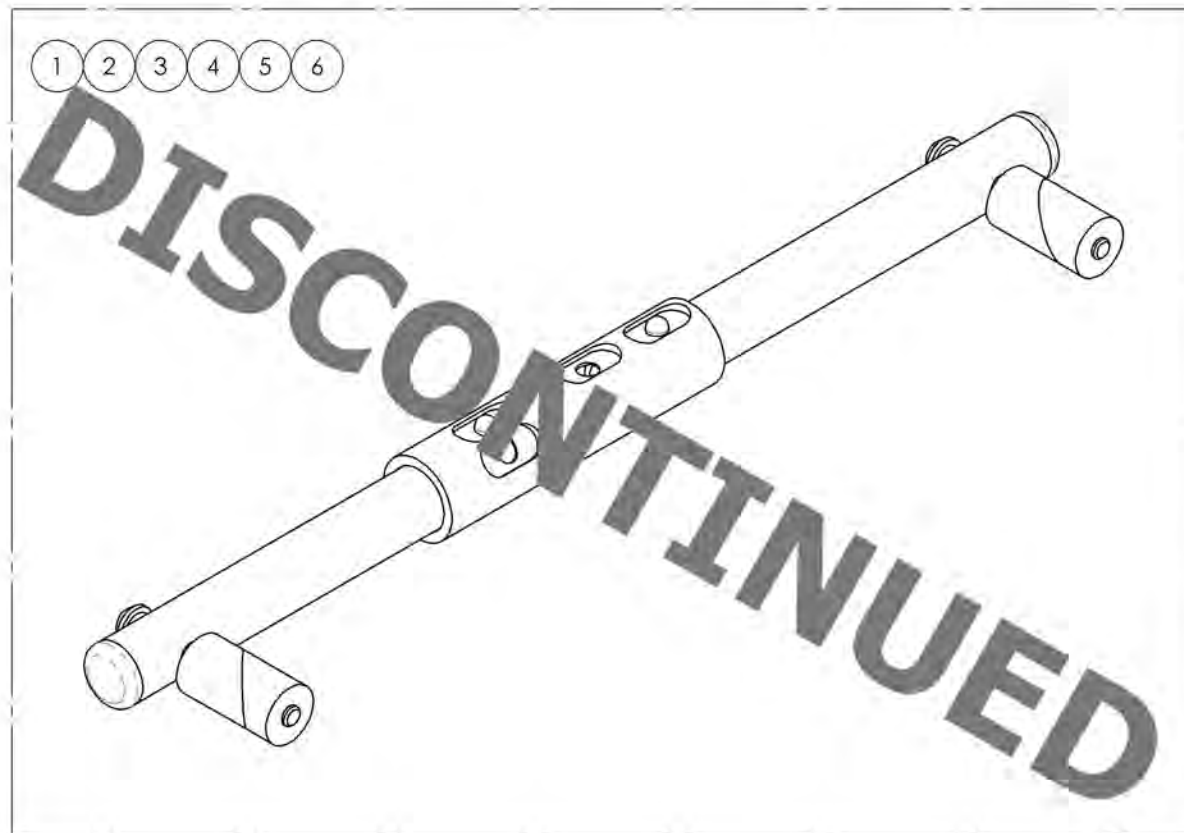


ASSUREZ-VOUS D'AVOIR VOTRE NUMÉRO DE SÉRIE  
PRÈS DE VOUS AVANT DE COMMANDER DES PIÈCES  
POUR VOTRE FAUTEUIL MOTION COMPOSITES

**Accessories Catalogue**  
**Physipro Stabilizer Bars - Folding**

ITEM NO.	PARTNO	DESCRIPTION	QTY
1	9002926	Physipro Stabilizer Bar - Folding, 12-13 in	1
2	9002927	Physipro Stabilizer Bar - Folding, 14-15 in	1
3	9002928	Physipro Stabilizer Bar - Folding, 16-17 in	1
4	9002929	Physipro Stabilizer Bar - Folding, 18-19 in	1
5	9002930	Physipro Stabilizer Bar - Folding, 20-21 in	1
6	9002931	Physipro Stabilizer Bar - Folding, 22 in	1

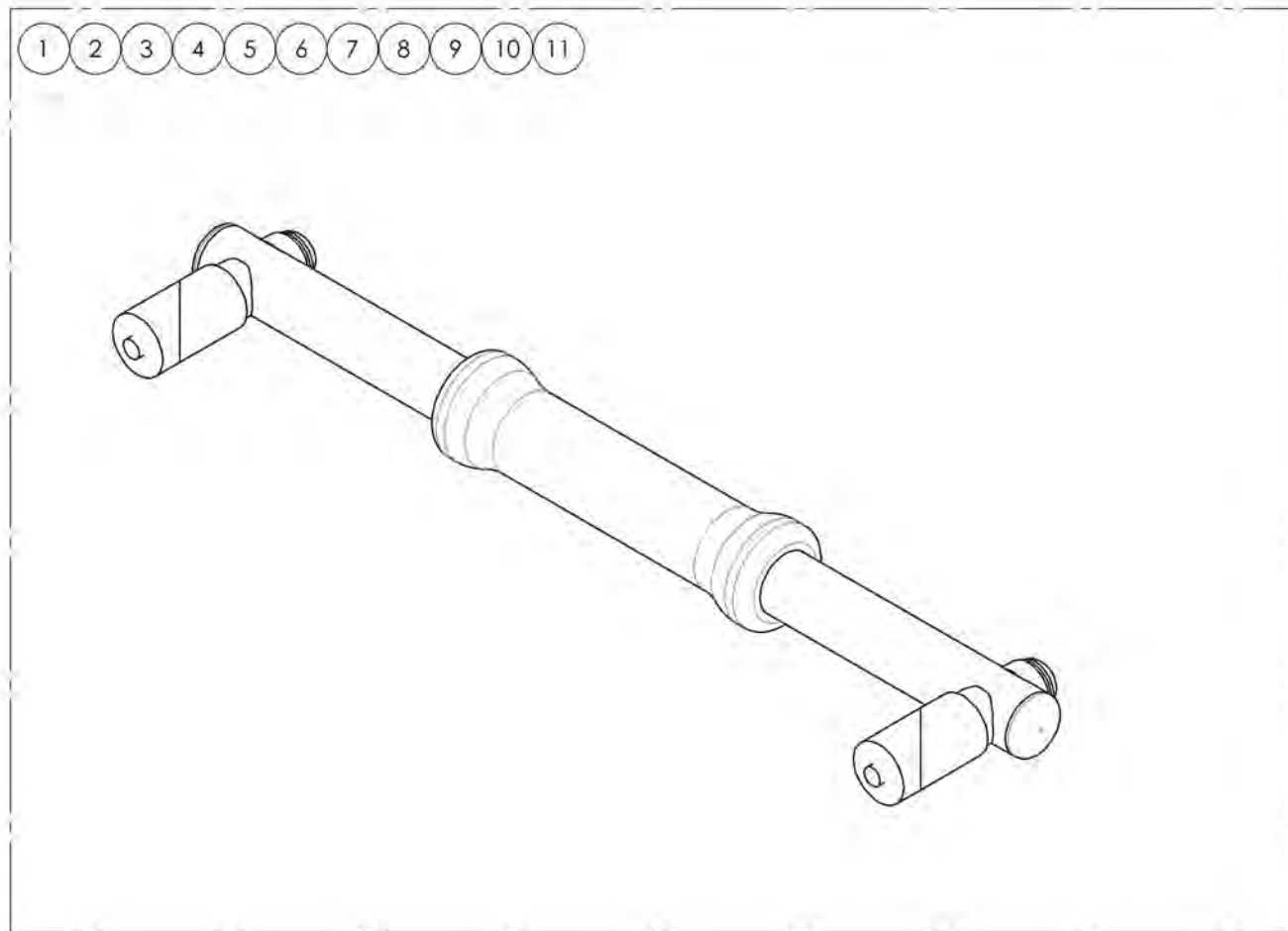
**REPLACED BY #9001594 TO #9001604**



MAKE SURE TO HAVE YOUR SERIAL NUMBER  
NEARBY WHEN ORDERING PARTS FOR YOUR  
MOTION COMPOSITES WHEELCHAIR

**Accessories Catalogue**  
**Newton Stabilizer Bars - Folding**

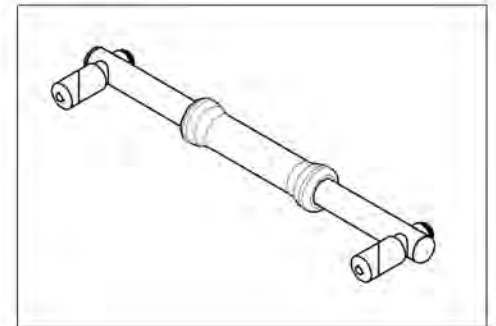
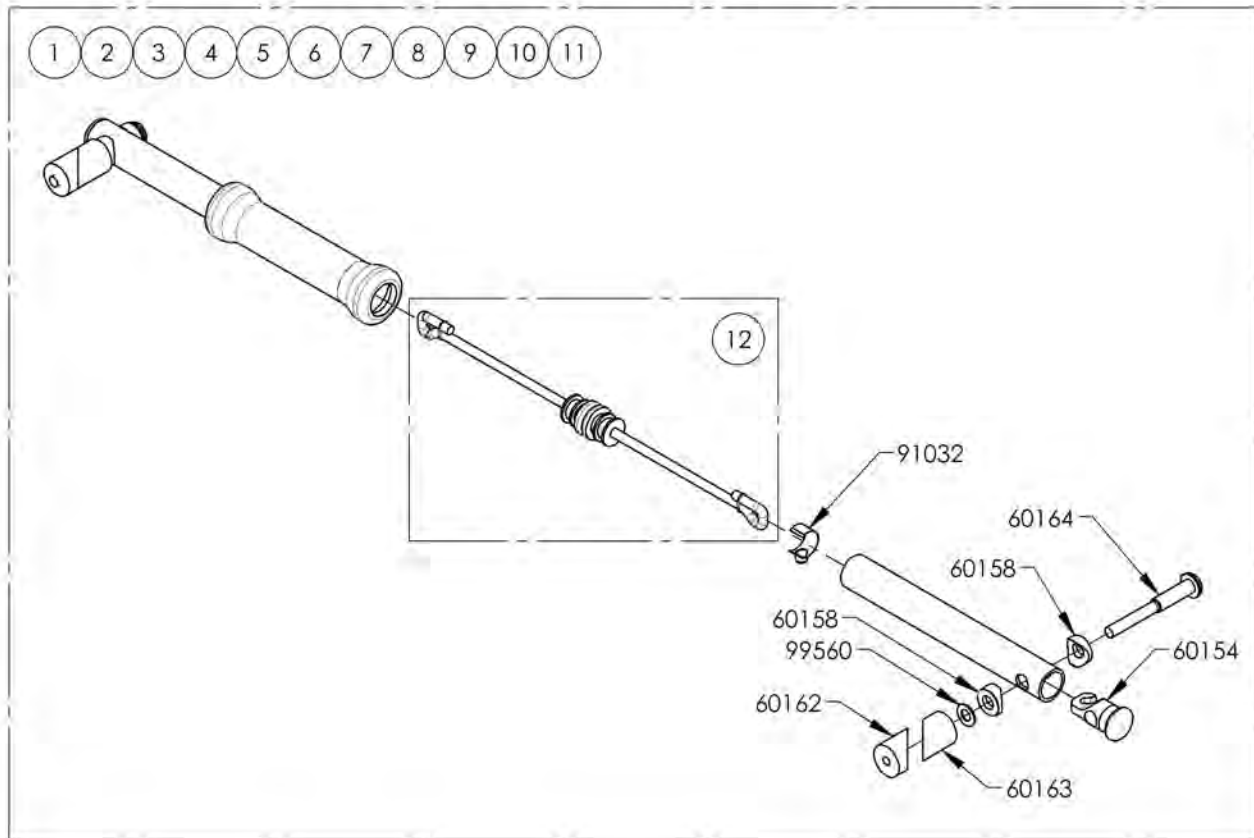
ITEM NO.	PARTNO	DESCRIPTION	QTY.
1	9001594	Newton Stabilizer Bar - Folding, 12 in	1
2	9001595	Newton Stabilizer Bar - Folding, 13 in	1
3	9001596	Newton Stabilizer Bar - Folding, 14 in	1
4	9001597	Newton Stabilizer Bar - Folding, 15 in	1
5	9001598	Newton Stabilizer Bar - Folding, 16 in	1
6	9001599	Newton Stabilizer Bar - Folding, 17 in	1
7	9001600	Newton Stabilizer Bar - Folding, 18 in	1
8	9001601	Newton Stabilizer Bar - Folding, 19 in	1
9	9001602	Newton Stabilizer Bar - Folding, 20 in	1
10	9001603	Newton Stabilizer Bar - Folding, 21 in	1
11	9001604	Newton Stabilizer Bar - Folding, 22 in	1



MAKE SURE TO HAVE YOUR SERIAL NUMBER  
 NEARBY WHEN ORDERING PARTS FOR YOUR  
 MOTION COMPOSITES WHEELCHAIR

**9001594 9001604  
Newton Stabilizer Bar - Folding**

ITEM NO.	PART NO	DESCRIPTION	9001594 /QTY.	9001595 /QTY.	9001596 /QTY.	9001597 /QTY.	9001598 /QTY.	9001599 /QTY.	9001600 /QTY.	9001601 /QTY.	9001602 /QTY.	9001603 /QTY.	9001604 /QTY.	REPLACEMENT PARTS/QTY.
1	60704	NEWTON FOLDING STABILIZER BAR 12 in - ASSEMBLY	1	-	-	-	-	-	-	-	-	-	-	-
2	60705	NEWTON FOLDING STABILIZER BAR 13 in - ASSEMBLY	-	1	-	-	-	-	-	-	-	-	-	-
3	60706	NEWTON FOLDING STABILIZER BAR 14 in - ASSEMBLY	-	-	1	-	-	-	-	-	-	-	-	-
4	60707	NEWTON FOLDING STABILIZER BAR 15 in - ASSEMBLY	-	-	-	1	-	-	-	-	-	-	-	-
5	60708	NEWTON FOLDING STABILIZER BAR 16 in - ASSEMBLY	-	-	-	-	1	-	-	-	-	-	-	-
6	60709	NEWTON FOLDING STABILIZER BAR 17 in - ASSEMBLY	-	-	-	-	-	1	-	-	-	-	-	-
7	60710	NEWTON FOLDING STABILIZER BAR 18 in - ASSEMBLY	-	-	-	-	-	-	1	-	-	-	-	-
8	60711	NEWTON FOLDING STABILIZER BAR 19 in - ASSEMBLY	-	-	-	-	-	-	-	1	-	-	-	-
9	60712	NEWTON FOLDING STABILIZER BAR 20 in - ASSEMBLY	-	-	-	-	-	-	-	-	1	-	-	-
10	60713	NEWTON FOLDING STABILIZER BAR 21 in - ASSEMBLY	-	-	-	-	-	-	-	-	-	1	-	-
11	60714	NEWTON FOLDING STABILIZER BAR 22 in - ASSEMBLY	-	-	-	-	-	-	-	-	-	-	1	-
12	60168	TENSION BAR ROPE	-	-	-	-	-	-	-	-	-	-	-	1

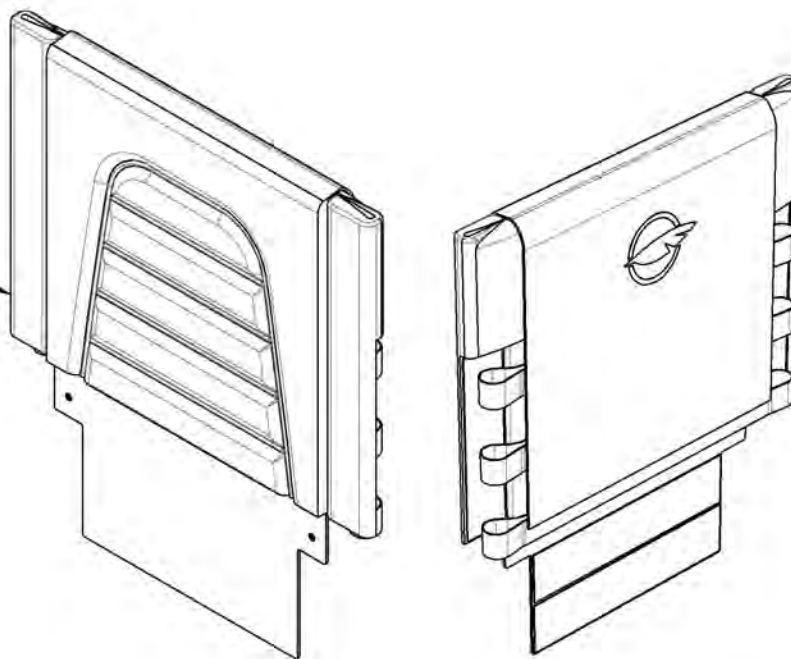


MAKE SURE TO HAVE YOUR SERIAL NUMBER NEARBY WHEN ORDERING PARTS FOR YOUR MOTION COMPOSITES WHEELCHAIR

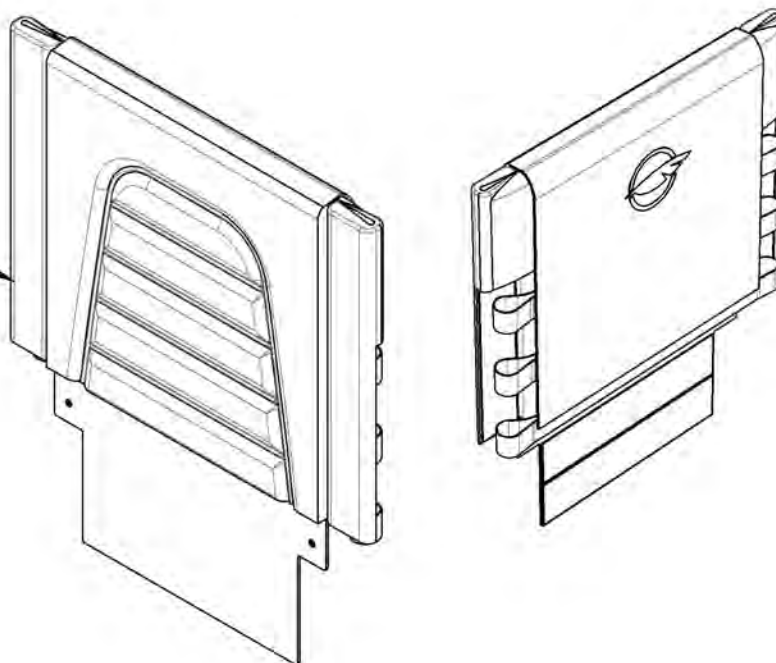


**Accessories Catalogue**  
**Back Upholstery - Slip On & Adjustable Tension, Suede**

SLIP ON BACK UPHOLSTERY (SUEDE)  
REFER TO ITEM  
#9003571\_9003614  
FOR LENGTH & WIDTH



ADJUSTABLE TENSION BACK UPHOLSTERY (SUEDE)  
REFER TO ITEM  
#9003496\_9003539  
FOR LENGTH & WIDTH

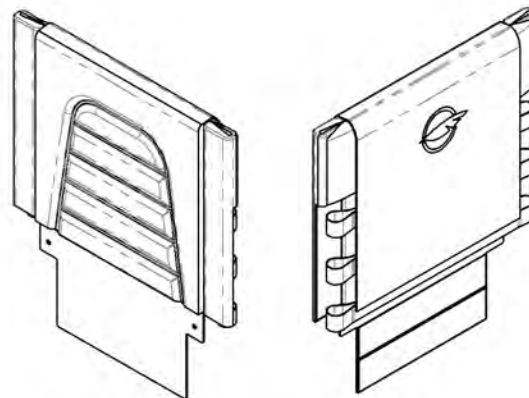
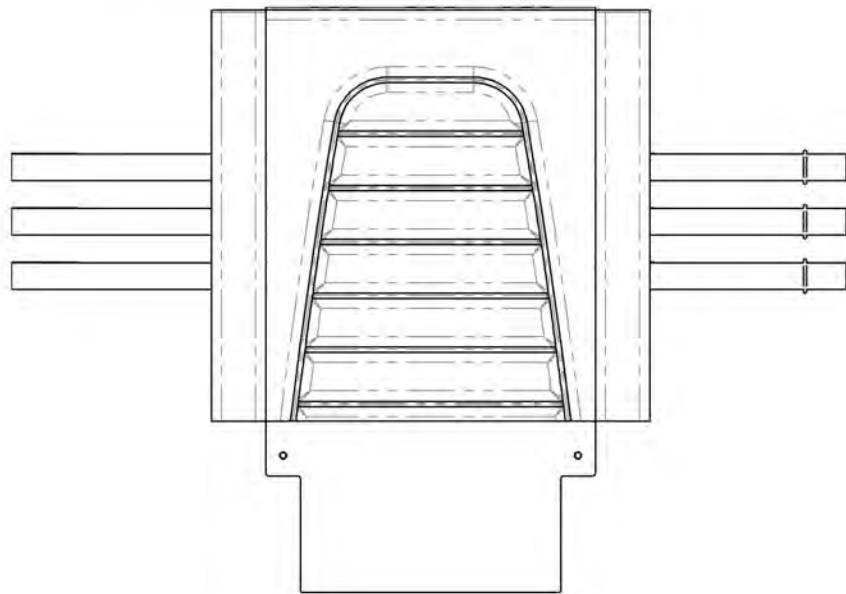


MAKE SURE TO HAVE YOUR SERIAL NUMBER  
NEARBY WHEN ORDERING PARTS FOR YOUR  
MOTION COMPOSITES WHEELCHAIR

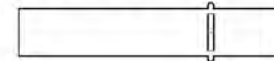
9003571\_9003614

Back Upholstery - Slip On, Suede (Specify Size)

ALL BACKRESTS COME WITH AN APPROPRIATE  
NUMBER OF BACKREST STRAPS



## BACKREST STRAP REPLACEMENT



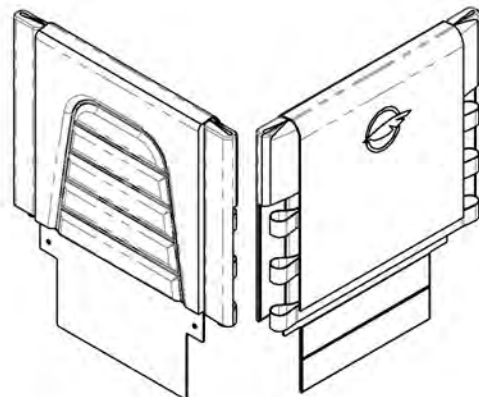
1in (25mm) Backrest Strap Width	
Part#	Backrest Width in (cm)
60205	12 (30.5)
60206	13 (33)
60207	14 (35.6)
60208	15 (38.1)
60209	16 (40.6)
60210	17 (43.2)
60211	18 (45.7)
60212	19 (48.3)
60213	20 (50.8)

SUEDE SLIP ON BACK		LENGTH in inches (cm)			
		9-12 (22.9-30.5)	12-15 (30.5-38.1)	15-18 (38.1-45.7)	18-21 (45.7-53.3)
WIDTH in inches (cm)	12 (30.5)	9003571	9003572	9003573	9003574
	13 (33.0)	9003576	9003577	9003578	9003579
	14 (35.6)	9003581	9003582	9003583	9003584
	15 (38.1)	9003586	9003587	9003588	9003589
	16 (40.6)	9003591	9003592	9003593	9003594
	17 (43.2)	9003596	9003597	9003598	9003599
	18 (45.7)	9003601	9003602	9003603	9003604
	19 (48.3)	9003606	9003607	9003608	9003609
	20 (50.8)	9003611	9003612	9003613	9003614

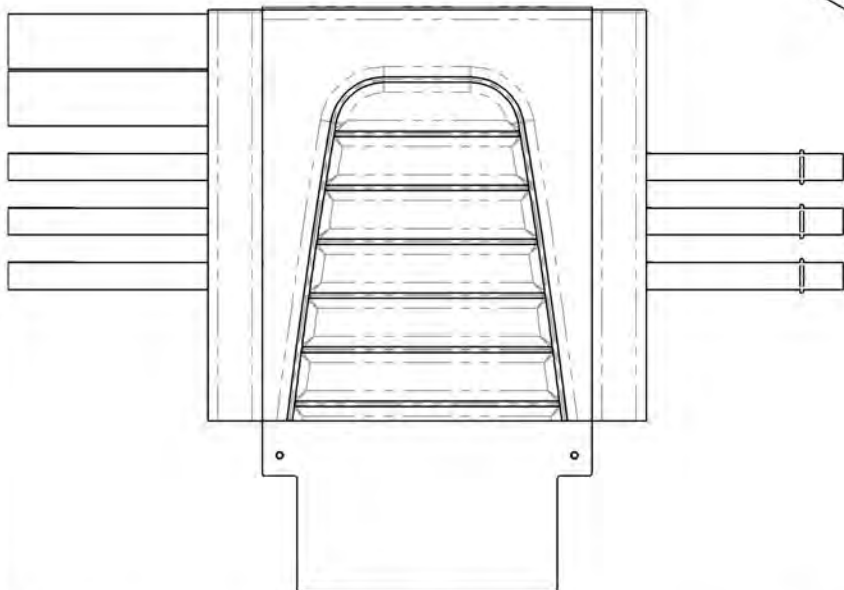
MAKE SURE TO HAVE YOUR SERIAL NUMBER  
NEARBY WHEN ORDERING PARTS FOR YOUR  
MOTION COMPOSITES WHEELCHAIR

9003496\_9003539

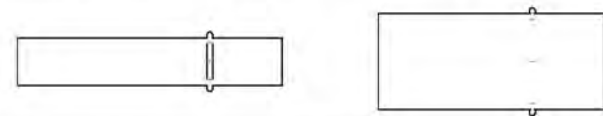
**Back Upholstery - Adjustable Tension, Suede (Specify Size)**



ALL BACKRESTS COME WITH AN APPROPRIATE NUMBER OF BACKREST STRAPS



**BACKREST STRAP REPLACEMENT**

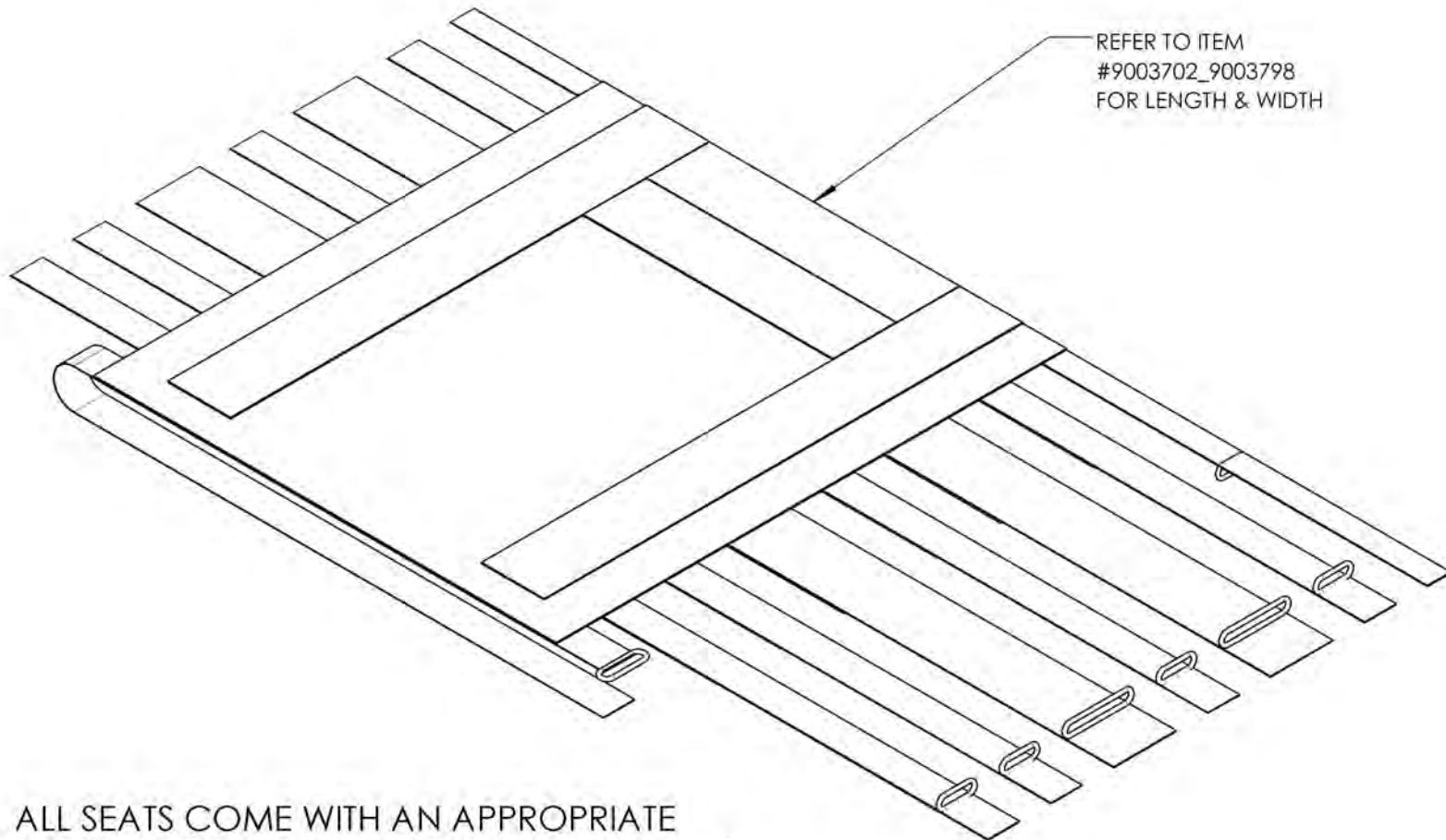


1in (25mm) Backrest Strap Width		2in (51mm) Backrest Strap Width	
Part#	Backrest Width in (cm)	Part#	Backrest Width in (cm)
60205	12 (30.5)	60218	12 (30.5)
60206	13 (33)	60219	13 (33)
60207	14 (35.6)	60220	14 (35.6)
60208	15 (38.1)	60221	15 (38.1)
60209	16 (40.6)	60222	16 (40.6)
60210	17 (43.2)	60223	17 (43.2)
60211	18 (45.7)	60224	18 (45.7)
60212	19 (48.3)	60225	19 (48.3)
60213	20 (50.8)	60226	20 (50.8)

SUEDE ADJUSTABLE TENSION BACK UPHOLSTERY		LENGTH in inches (cm)			
		9-12 (22.9-30.5)	12-15 (30.5-38.1)	15-18 (38.1-45.7)	18-21 (45.7-53.3)
WIDTH in inches (cm)	12 (30.5)	9003496	9003497	9003498	9003499
	13 (33.0)	9003501	9003502	9003503	9003504
	14 (35.6)	9003506	9003507	9003508	9003509
	15 (38.1)	9003511	9003512	9003513	9003514
	16 (40.6)	9003516	9003517	9003518	9003519
	17 (43.2)	9003521	9003522	9003523	9003524
	18 (45.7)	9003526	9003527	9003528	9003529
	19 (48.3)	9003531	9003532	9003533	9003534
	20 (50.8)	9003536	9003537	9003538	9003539

MAKE SURE TO HAVE YOUR SERIAL NUMBER NEARBY WHEN ORDERING PARTS FOR YOUR MOTION COMPOSITES WHEELCHAIR

**Accessories Catalogue**  
**Rigid Frame Seat Sling with Hook**



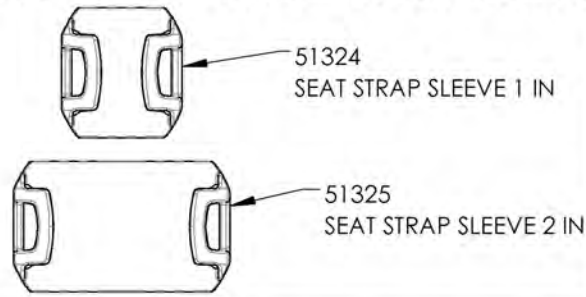
REFER TO ITEM  
#9003702\_9003798  
FOR LENGTH & WIDTH

ALL SEATS COME WITH AN APPROPRIATE  
NUMBER OF SEAT STRAPS & SEAT STRAP SLEEVES

9003702\_9003798

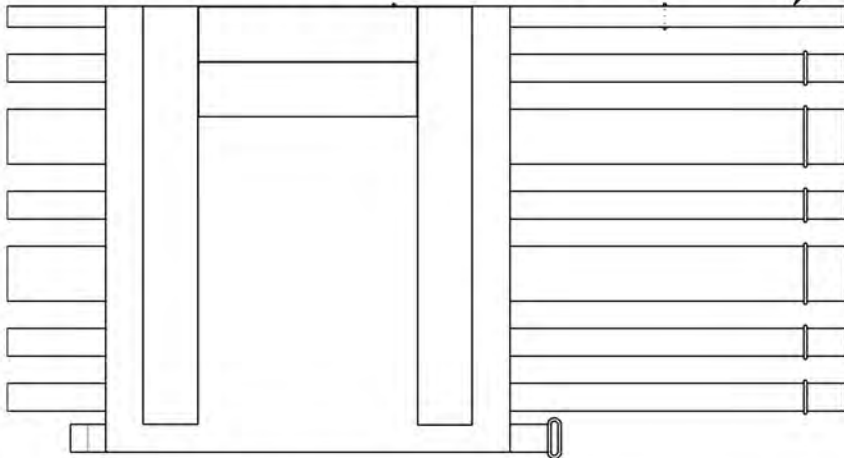
Rigid Frame Seat Sling with Hook (Specify Size)

**SEAT STRAP SLEEVE REPLACEMENT**

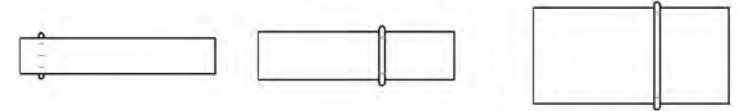


ALL SEATS COME WITH AN APPROPRIATE NUMBER OF SEAT STRAPS & SEAT STRAP SLEEVES

0.75in (19mm) WIDTH STRAP ONLY USED FOR THE END OF SEAT SLING



**SEAT STRAP REPLACEMENT**

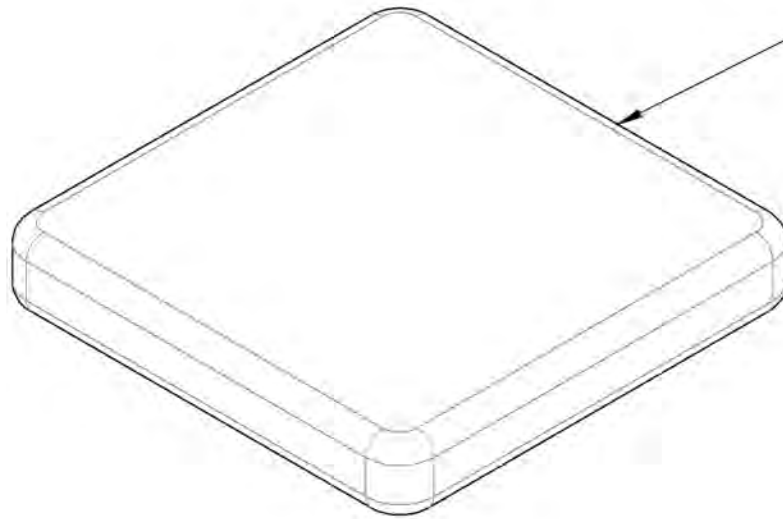


0.75in (19mm) Seat Strap Width		1in (25mm) Seat Strap Width		2in (51mm) Seat Strap Width	
Part#	Seat Width in (cm)	Part#	Seat Width in (cm)	Part#	Seat Width in (cm)
60137	10 (25.4)	60111	10 (25.4)	60124	10 (25.4)
60138	11 (27.9)	60112	11 (27.9)	60125	11 (27.9)
60139	12 (30.5)	60113	12 (30.5)	60126	12 (30.5)
60140	13 (33)	60114	13 (33)	60127	13 (33)
60141	14 (35.6)	60115	14 (35.6)	60128	14 (35.6)
60142	15 (38.1)	60116	15 (38.1)	60129	15 (38.1)
60143	16 (40.6)	60117	16 (40.6)	60130	16 (40.6)
60144	17 (43.2)	60118	17 (43.2)	60131	17 (43.2)
60145	18 (45.7)	60119	18 (45.7)	60132	18 (45.7)
60146	19 (48.3)	60120	19 (48.3)	60133	19 (48.3)
60147	20 (50.8)	60121	20 (50.8)	60134	20 (50.8)

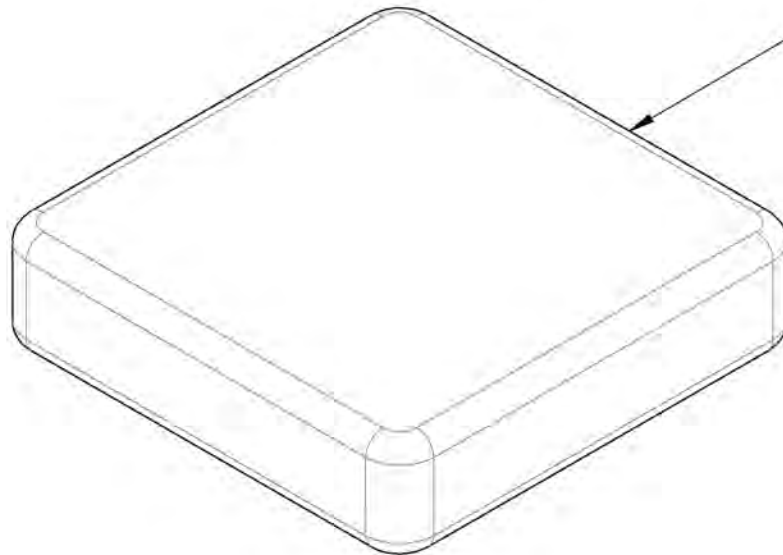
BACKREST DIMENSIONS		LENGTH in inches (cm)								
		12 (30.5)	13 (33.0)	14 (35.6)	15 (38.1)	16 (40.6)	17 (43.2)	18 (45.7)	19 (48.3)	20 (50.8)
WIDTH in inches (cm)	12 (30.5)	9003702	9003703	9003704	9003705	9003706	9003707	9003708	9003709	9003710
	13 (33.0)	9003713	9003714	9003715	9003716	9003717	9003718	9003719	9003720	9003721
	14 (35.6)	9003724	9003725	9003726	9003727	9003728	9003729	9003730	9003731	9003732
	15 (38.1)	9003735	9003736	9003737	9003738	9003739	9003740	9003741	9003742	9003743
	16 (40.6)	9003746	9003747	9003748	9003749	9003750	9003751	9003752	9003753	9003754
	17 (43.2)	9003757	9003758	9003759	9003760	9003761	9003762	9003763	9003764	9003765
	18 (45.7)	9003768	9003769	9003770	9003771	9003772	9003773	9003774	9003775	9003776
	19 (48.3)	9003779	9003780	9003781	9003782	9003783	9003784	9003785	9003786	9003787
	20 (50.8)	9003790	9003791	9003792	9003793	9003794	9003795	9003796	9003797	9003798

MAKE SURE TO HAVE YOUR SERIAL NUMBER NEARBY WHEN ORDERING PARTS FOR YOUR MOTION COMPOSITES WHEELCHAIR

**Accessories Catalogue  
Cushions**



2 in CUSHIONS  
REFER TO ITEM  
#9001934\_9002032 (with Loop)  
or  
#9002645\_9002743 (with Hook)  
for LENGTH & WIDTH

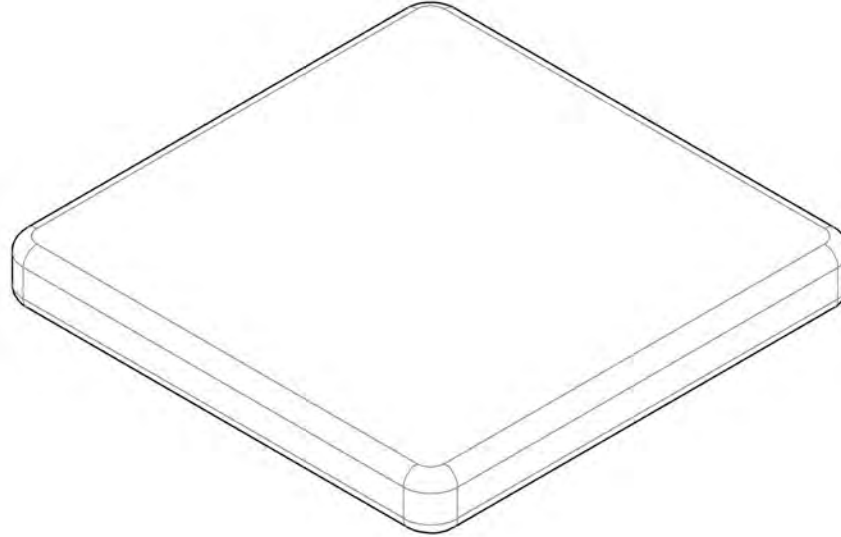


3 in CUSHIONS  
REFER TO ITEM  
#9002033\_9002131 (with Loop)  
or  
#9002744\_9002842 (with Hook)  
for LENGTH & WIDTH

MAKE SURE TO HAVE YOUR SERIAL NUMBER  
NEARBY WHEN ORDERING PARTS FOR YOUR  
MOTION COMPOSITES WHEELCHAIR

**9001934\_9002032**

**Cushion 2 in with Velcro Loop (Specify Size)**

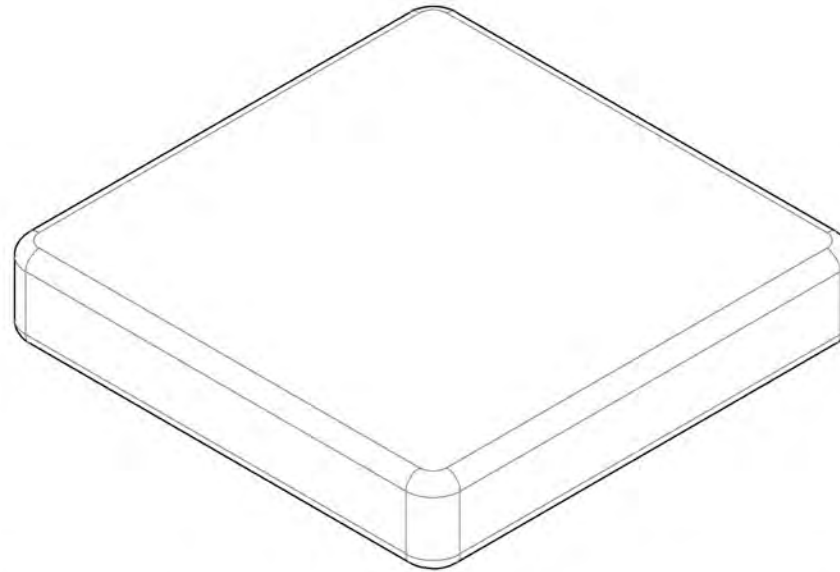


**2 in CUSHIONS PART NUMBERS FOR THE APPROPRIATE LENGTH AND WIDTH**

		LENGTH in inches (cm)								
		12 (30.5)	13 (33.0)	14 (35.6)	15 (38.1)	16 (40.6)	17 (43.2)	18 (45.7)	19 (48.3)	20 (50.8)
<b>WIDTH</b> in inches (cm)	12 (30.5)	9001934	9001935	9001936	9001937	9001938	9001939	9001940	9001941	9001942
	13 (33.0)	9001943	9001944	9001945	9001946	9001947	9001948	9001949	9001950	9001951
	14 (35.6)	9001952	9001953	9001954	9001955	9001956	9001957	9001958	9001959	9001960
	15 (38.1)	9001961	9001962	9001963	9001964	9001965	9001966	9001967	9001968	9001969
	16 (40.6)	9001970	9001971	9001972	9001973	9001974	9001975	9001976	9001977	9001978
	17 (43.2)	9001979	9001980	9001981	9001982	9001983	9001984	9001985	9001986	9001987
	18 (45.7)	9001988	9001989	9001990	9001991	9001992	9001993	9001994	9001995	9001996
	19 (48.3)	9001997	9001998	9001999	9002000	9002001	9002002	9002003	9002004	9002005
	20 (50.8)	9002006	9002007	9002008	9002009	9002010	9002011	9002012	9002013	9002014
	21 (53.3)	9002015	9002016	9002017	9002018	9002019	9002020	9002021	9002022	9002023
22 (55.9)	9002024	9002025	9002026	9002027	9002028	9002029	9002030	9002031	9002032	

MAKE SURE TO HAVE YOUR SERIAL NUMBER  
NEARBY WHEN ORDERING PARTS FOR YOUR  
MOTION COMPOSITES WHEELCHAIR

**9002033 9002131**  
**Cushion 3 in with Velcro Loop (Specify Size)**



**3 in CUSHIONS PART NUMBERS FOR THE APPROPRIATE LENGTH AND WIDTH**

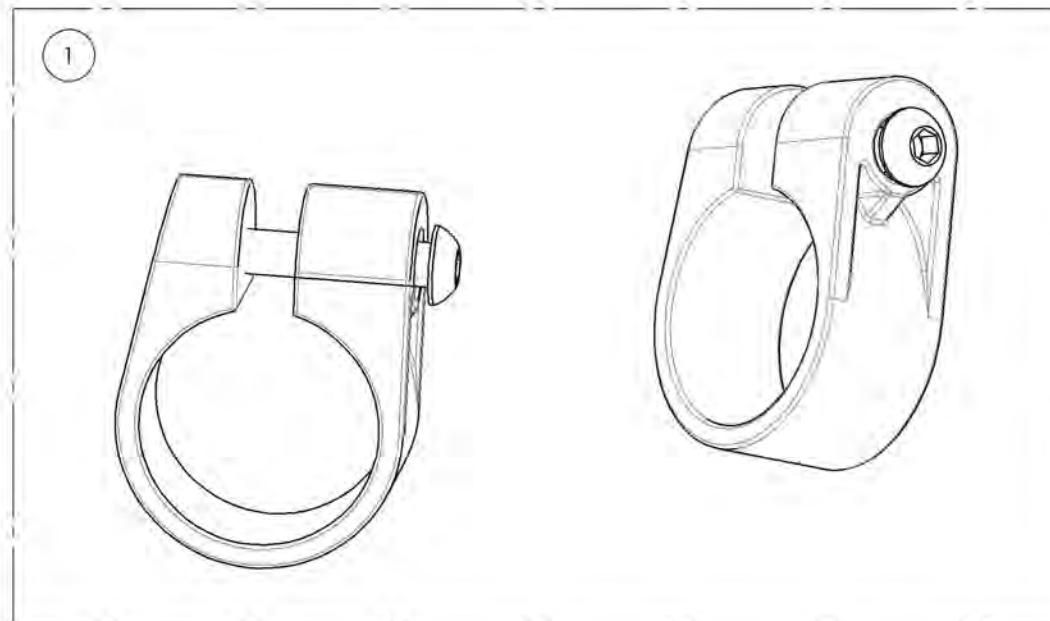
		LENGTH in inches (cm)								
		12 (30.5)	13 (33.0)	14 (35.6)	15 (38.1)	16 (40.6)	17 (43.2)	18 (45.7)	19 (48.3)	20 (50.8)
<b>WIDTH</b> in inches (cm)	12 (30.5)	9002033	9002034	9002035	9002036	9002037	9002038	9002039	9002040	9002041
	13 (33.0)	9002042	9002043	9002044	9002045	9002046	9002047	9002048	9002049	9002050
	14 (35.6)	9002051	9002052	9002053	9002054	9002055	9002056	9002057	9002058	9002059
	15 (38.1)	9002060	9002061	9002062	9002063	9002064	9002065	9002066	9002067	9002068
	16 (40.6)	9002069	9002070	9002071	9002072	9002073	9002074	9002075	9002076	9002077
	17 (43.2)	9002078	9002079	9002080	9002081	9002082	9002083	9002084	9002085	9002086
	18 (45.7)	9002087	9002088	9002089	9002090	9002091	9002092	9002093	9002094	9002095
	19 (48.3)	9002096	9002097	9002098	9002099	9002100	9002101	9002102	9002103	9002104
	20 (50.8)	9002105	9002106	9002107	9002108	9002109	9002110	9002111	9002112	9002113
	21 (53.3)	9002114	9002115	9002116	9002117	9002118	9002119	9002120	9002121	9002122
22 (55.9)	9002123	9002124	9002125	9002126	9002127	9002128	9002129	9002130	9002131	

MAKE SURE TO HAVE YOUR SERIAL NUMBER  
 NEARBY WHEN ORDERING PARTS FOR YOUR  
 MOTION COMPOSITES WHEELCHAIR



**Accessories Catalogue**  
**Positioning Seatbelts - Additional Hardware (2 Composite Clamps)**

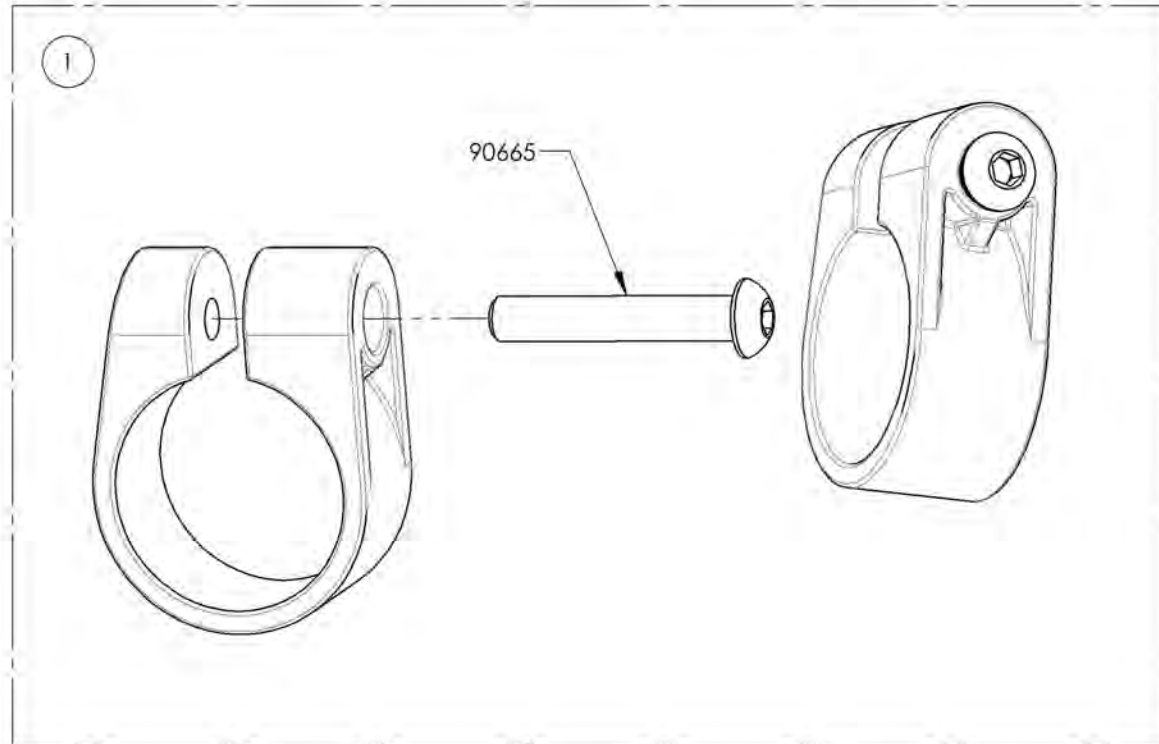
ITEM NO.	PARTNO	DESCRIPTION	QTY.
1	9002220	Positioning Seatbelt - Additional Hardware (2 Composite Clamps)	1



MAKE SURE TO HAVE YOUR SERIAL NUMBER  
NEARBY WHEN ORDERING PARTS FOR YOUR  
MOTION COMPOSITES WHEELCHAIR

**9002220**  
**Positioning Seatbelts - Additional Hardware (2 Composite Clamps)**

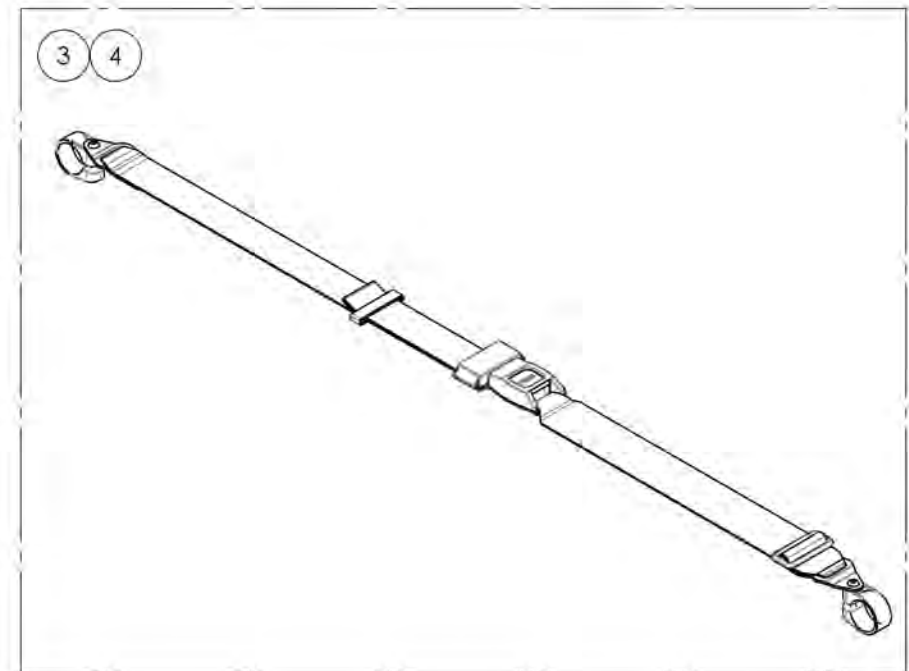
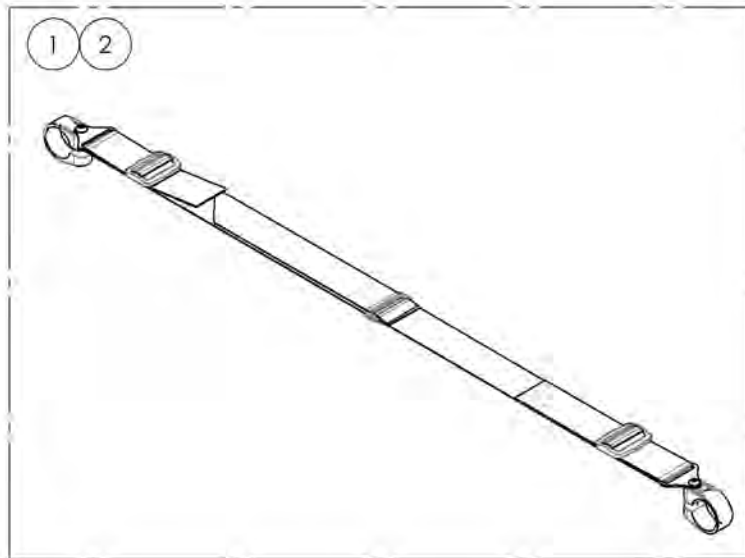
ITEM NO.	PARTNO	DESCRIPTION	9002220 /QTY.
1	60500	FRAME SAVER ASSEMBLY (PAIR)	1



MAKE SURE TO HAVE YOUR SERIAL NUMBER  
NEARBY WHEN ORDERING PARTS FOR YOUR  
MOTION COMPOSITES WHEELCHAIR

**Accessories Catalogue**  
**Positioning Seatbelts**

ITEM NO.	PARTNO	DESCRIPTION	QTY.
1	9001587	Positioning Seatbelt - Velcro Adjustable 35 in	1
2	9002138	Positioning Seatbelt - Velcro Adjustable 60 in	1
3	9001588	Positioning Seatbelt - Auto Buckle 35 in	1
4	9002139	Positioning Seatbelt - Auto Buckle 60 in	1



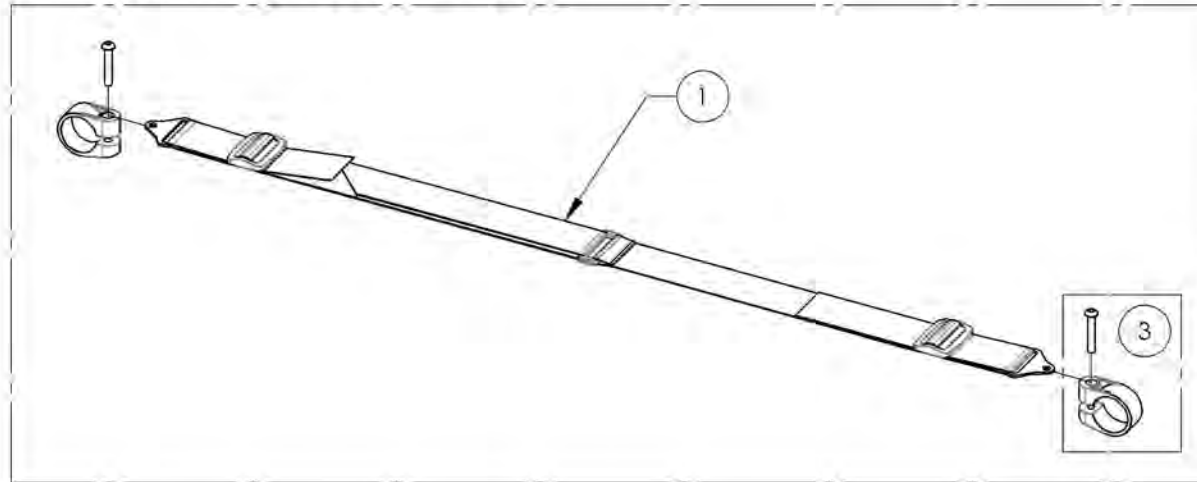
BOTH ITEMS ALREADY INCLUDE THE APPROPRIATE  
 NUMBER OF COMPOSITE CLAMPS

MAKE SURE TO HAVE YOUR SERIAL NUMBER  
 NEARBY WHEN ORDERING PARTS FOR YOUR  
 MOTION COMPOSITES WHEELCHAIR

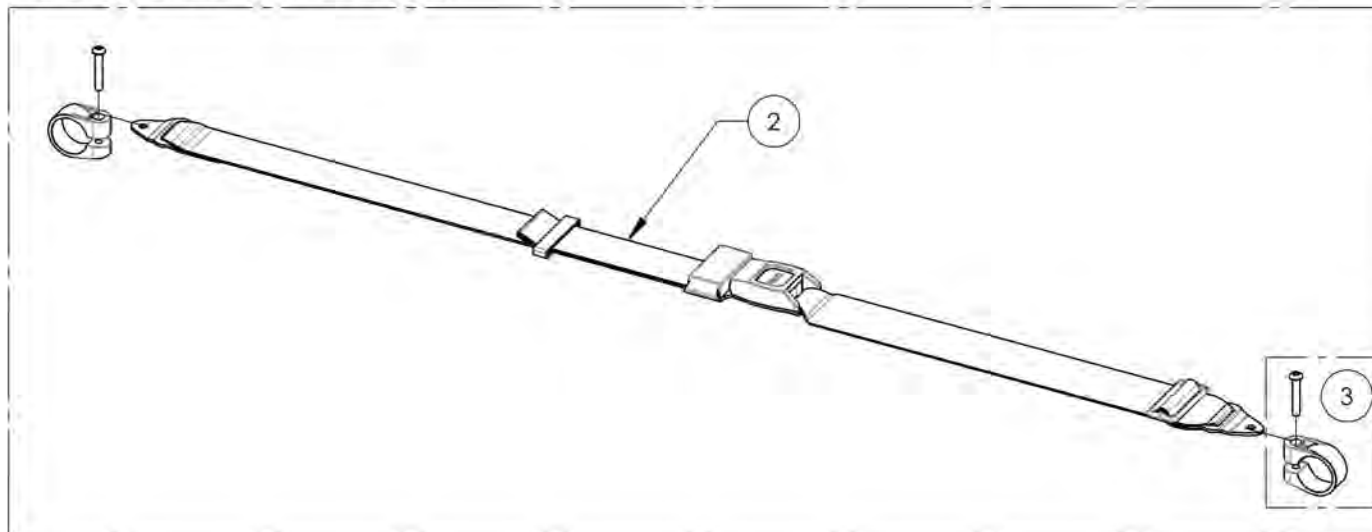
**9001587\_9001588**  
**Positioning Seatbelts 35 in**

ITEM NO.	PARTNO	DESCRIPTION	9001588 /QTY.	9001587 /QTY.
1	51024	VELCRO BELT	-	1
2	51027	POSITIONNING SEAT BELT ASSEMBLY	1	-
3	60500	FRAME SAVER ASSEMBLY (PAIR)	1	1

9001587  
 Positioning Seatbelt - Velcro Adjustable 35 in



9001588  
 Positioning Seatbelt - Auto Buckle 35 in

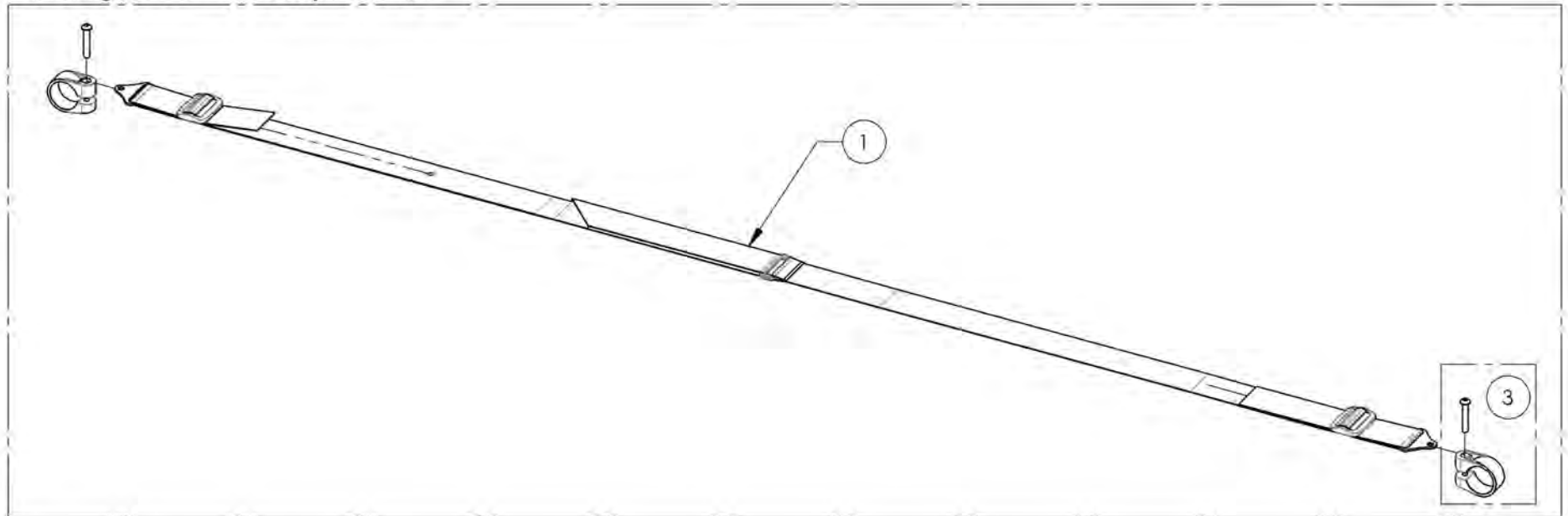


MAKE SURE TO HAVE YOUR SERIAL NUMBER  
 NEARBY WHEN ORDERING PARTS FOR YOUR  
 MOTION COMPOSITES WHEELCHAIR

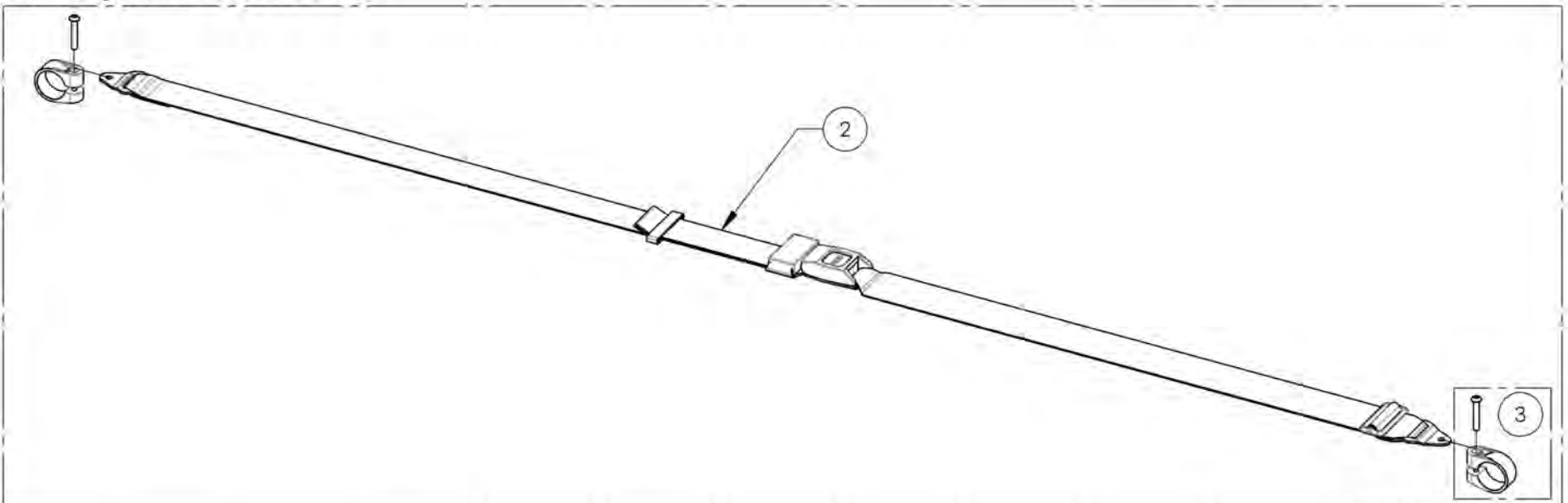
**9002138 9002139**  
**Positioning Seatbelts 60 in**

ITEM NO.	PARTNO	DESCRIPTION	9002138 /QTY.	9002139 /QTY.
1	51584	VELCRO SEATBELT 60in - ASSEMBLY	1	-
2	51583	POSITIONNING SEAT BELT 60in - ASSEMBLY	-	1
3	60500	FRAME SAVER ASSEMBLY (PAIR)	1	1

9002138  
 Positioning Seatbelt - Velcro Adjustable 60 in



9002139  
 Positioning Seatbelt - Auto Buckle 60 in



MAKE SURE TO HAVE YOUR SERIAL NUMBER  
 NEARBY WHEN ORDERING PARTS FOR YOUR  
 MOTION COMPOSITES WHEELCHAIR

**Accessories Catalogue**  
**Positioning Seatbelts - Bodypoint**

ITEM NO.	PARTNO	DESCRIPTION	QTY.
1	9002221	Positioning Seatbelt - Bodypoint 2, Non Padded, Medium	1
2	9002222	Positioning Seatbelt - Bodypoint 2, Non Padded, Large	1
3	9002223	Positioning Seatbelt - Bodypoint 2, Padded, Small	1
4	9002224	Positioning Seatbelt - Bodypoint 2, Padded, Medium	1
5	9002225	Positioning Seatbelt - Bodypoint 2, Padded, Large	1
6	9002226	Positioning Seatbelt - Bodypoint 4, Padded, Small	1
7	9002227	Positioning Seatbelt - Bodypoint 4, Padded, Medium	1
8	9002228	Positioning Seatbelt - Bodypoint 4 Point, Padded, Large	1



ITEMS 1-8 ALREADY INCLUDE THE APPROPRIATE  
 NUMBER OF COMPOSITE CLAMPS

MAKE SURE TO HAVE YOUR SERIAL NUMBER  
 NEARBY WHEN ORDERING PARTS FOR YOUR  
 MOTION COMPOSITES WHEELCHAIR

**9002221\_9002228**  
**Positioning Seatbelts - Bodypoint**

ITEM NO.	PARTNO	DESCRIPTION	9002221 /QTY.	9002222 /QTY.	9002223 /QTY.	9002224 /QTY.	9002225 /QTY.	9002226 /QTY.	9002227 /QTY.	9002228 /QTY.	REPLACEMENT PART/QTY.
1	51131	POSITIONING SEATBELT - BODYPOINT 2 POINT, NON PADDED MEDIUM	1	-	-	-	-	-	-	-	-
2	51211	POSITIONING SEATBELT - BODYPOINT 2 POINT, NON PADDED LARGE	-	1	-	-	-	-	-	-	-
3	51132	POSITIONING SEATBELT - BODYPOINT 2 POINT, PADDED SMALL	-	-	1	-	-	-	-	-	-
4	51133	POSITIONING SEATBELT - BODYPOINT 2 POINT, PADDED MEDIUM	-	-	-	1	-	-	-	-	-
5	51134	POSITIONING SEATBELT - BODYPOINT 2 POINT, PADDED LARGE	-	-	-	-	1	-	-	-	-
6	51212	POSITIONING SEATBELT - BODYPOINT 4 POINT, PADDED SMALL	-	-	-	-	-	1	-	-	-
7	51135	POSITIONING SEATBELT - BODYPOINT 4 POINT, PADDED MEDIUM	-	-	-	-	-	-	1	-	-
8	51136	POSITIONING SEATBELT - BODYPOINT 4 POINT, PADDED LARGE	-	-	-	-	-	-	-	1	-
9	60500	FRAME SAVER ASSEMBLY (PAIR)	1	1	1	1	1	2	2	2	1

9002221 To 9002222  
 Positioning Seatbelt - Bodypoint 2 Point,  
 Non Padded, Medium, Large



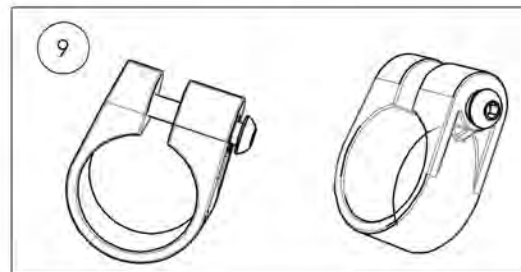
9002223 To 9002225  
 Positioning Seatbelt - Bodypoint 2 Point,  
 Padded, Small, Medium, Large



9002226 To 9002228  
 Positioning Seatbelt - Bodypoint 4 Point,  
 Padded, Small, Medium, Large



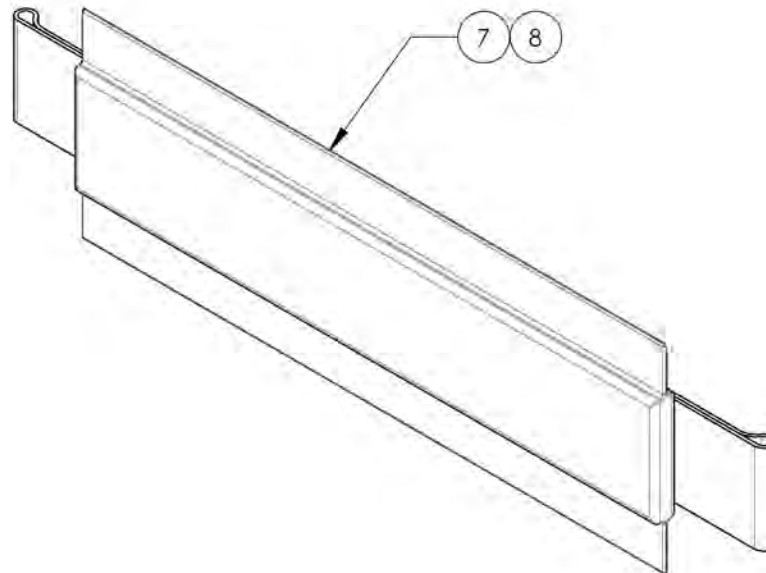
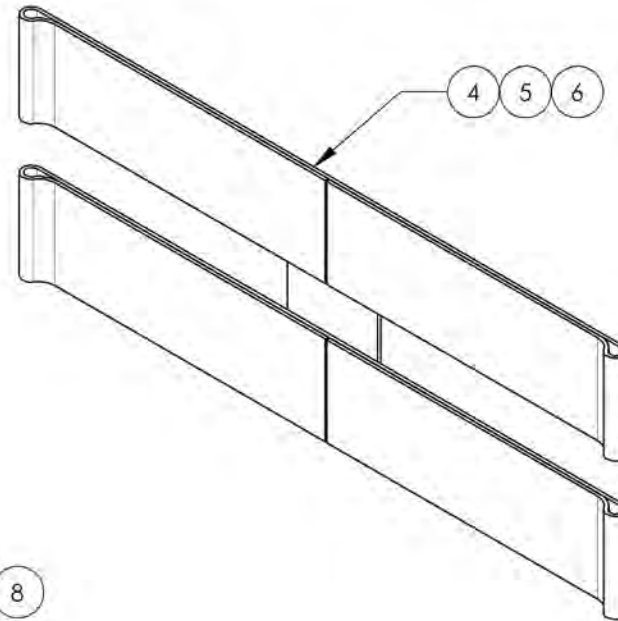
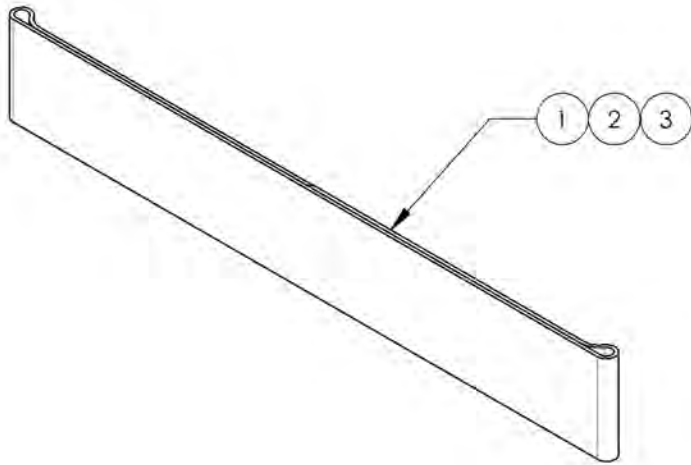
+



MAKE SURE TO HAVE YOUR SERIAL NUMBER  
 NEARBY WHEN ORDERING PARTS FOR YOUR  
 MOTION COMPOSITES WHEELCHAIR

**Accessories Catalogue**  
**Calf Straps**

ITEM NO.	PARTNO	DESCRIPTION	QTY.
1	9001068	Calf Strap - Non Padded (Wheelchair Width: 12 to 14 in)	1
2	9001412	Calf Strap - Non Padded (Wheelchair Width: 15 to 17 in)	1
3	9001413	Calf Strap - Non Padded (Wheelchair Width: 18 to 22 in)	1
4	9001580	Calf Strap - Double, Non-Padded (Wheelchair Width: 12 to 14 in)	1
5	9002140	Calf Strap - Double, Non-Padded (Wheelchair Width: 15 to 17 in)	1
6	9002141	Calf Strap - Double, Non-Padded (Wheelchair Width: 18 to 22 in)	1
7	9001414	Calf Strap - Padded (Wheelchair Width: 15 to 17 in)	1
8	9001415	Calf Strap - Padded (Wheelchair Width: 18 to 22 in)	1

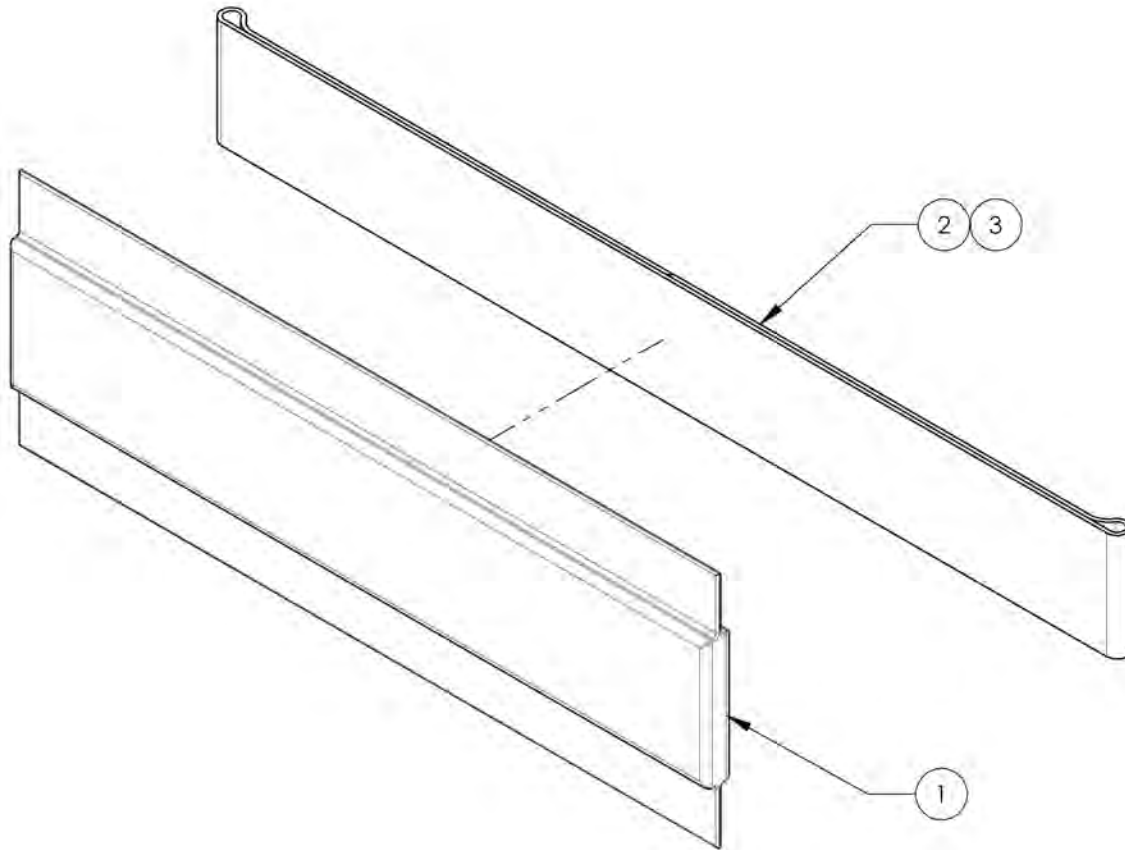


MAKE SURE TO HAVE YOUR SERIAL NUMBER  
 NEARBY WHEN ORDERING PARTS FOR YOUR  
 MOTION COMPOSITES WHEELCHAIR

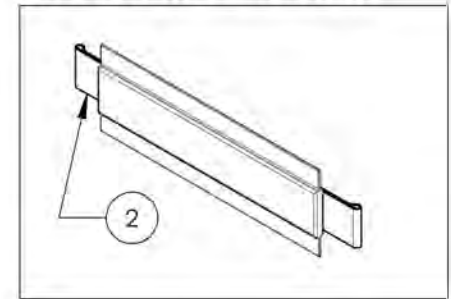


**9001414\_9001415**  
**Calf Straps - Padded**

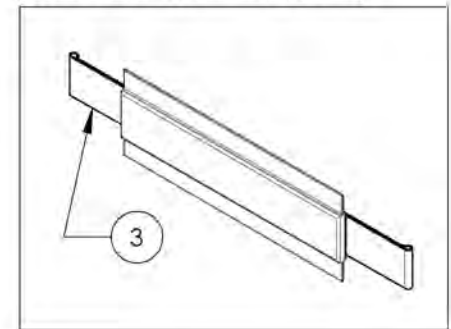
ITEM NO.	PARTNO	DESCRIPTION	9001414 /QTY.	9001415 /QTY.
1	31061	PADDED CALF PAD	1	1
2	31046	SIMPLE CALF STRAP 15-17 in	1	-
3	31047	SIMPLE CALF STRAP 18-22 in	-	1



9001414  
 Calf Strap - Padded  
 (Wheelchair Width: 15 to 17 in)



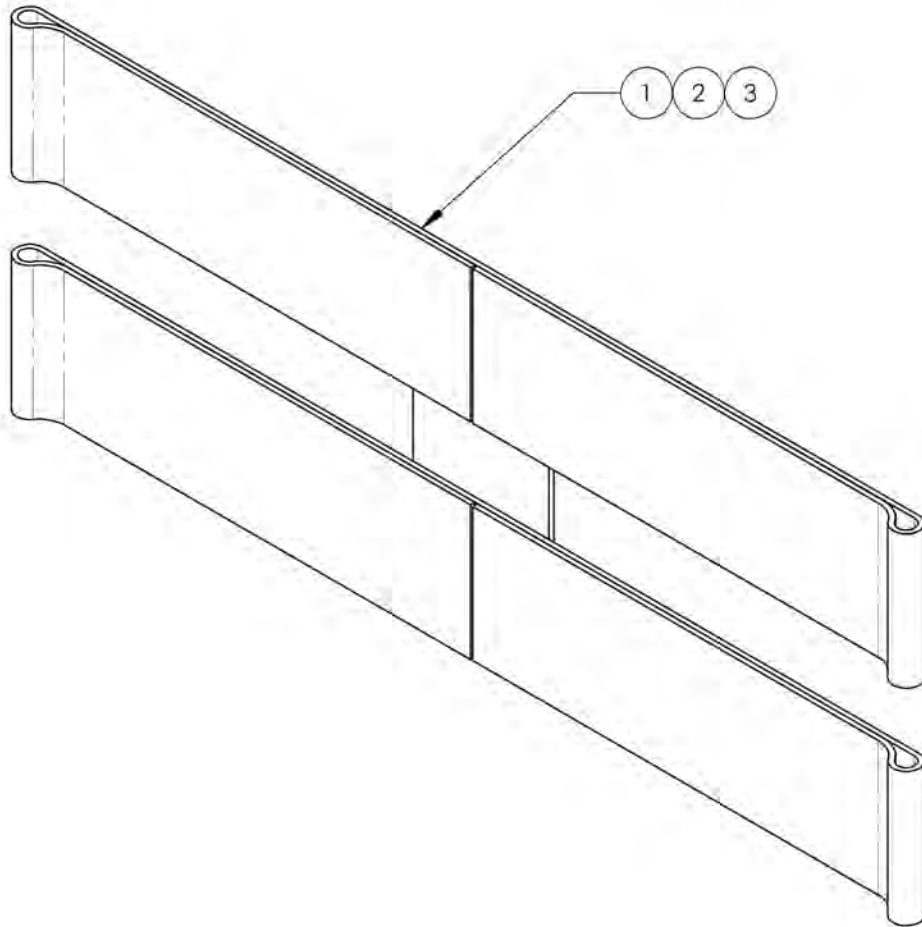
9001415  
 Calf Strap - Padded  
 (Wheelchair Width: 18 to 22 in)



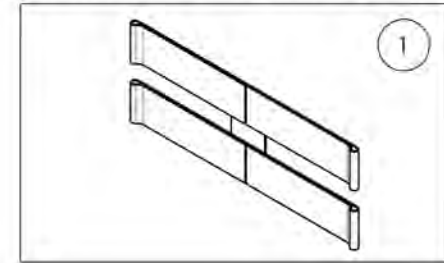
MAKE SURE TO HAVE YOUR SERIAL NUMBER  
 NEARBY WHEN ORDERING PARTS FOR YOUR  
 MOTION COMPOSITES WHEELCHAIR

**9001580 & 9002140 9002141  
Calf Strap - Double, Non-Padded**

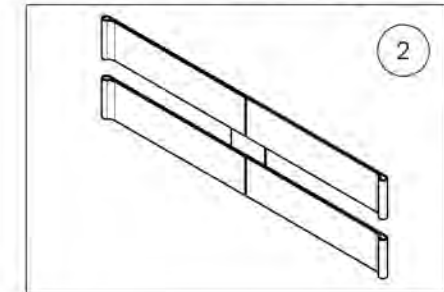
ITEM NO.	PARTNO	DESCRIPTION	9001580 /QTY.	9002140 /QTY.	9002141 /QTY.
1	31293	DOUBLE CALF STRAP 12-14 in	1	-	-
2	31281	DOUBLE CALF STRAP 15-17 in	-	1	-
3	31282	DOUBLE CALF STRAP 18-22 in	-	-	1



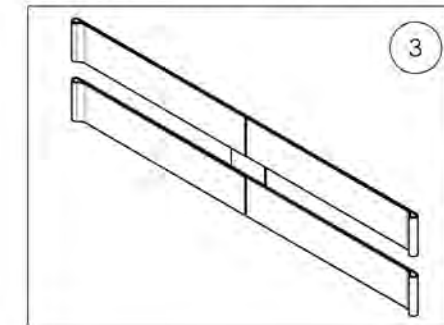
9001580  
Calf Strap - Double, Non-Padded  
(Wheelchair Width: 12 to 14 in)



9002140  
Calf Strap - Double, Non-Padded  
(Wheelchair Width: 15 to 17 in)



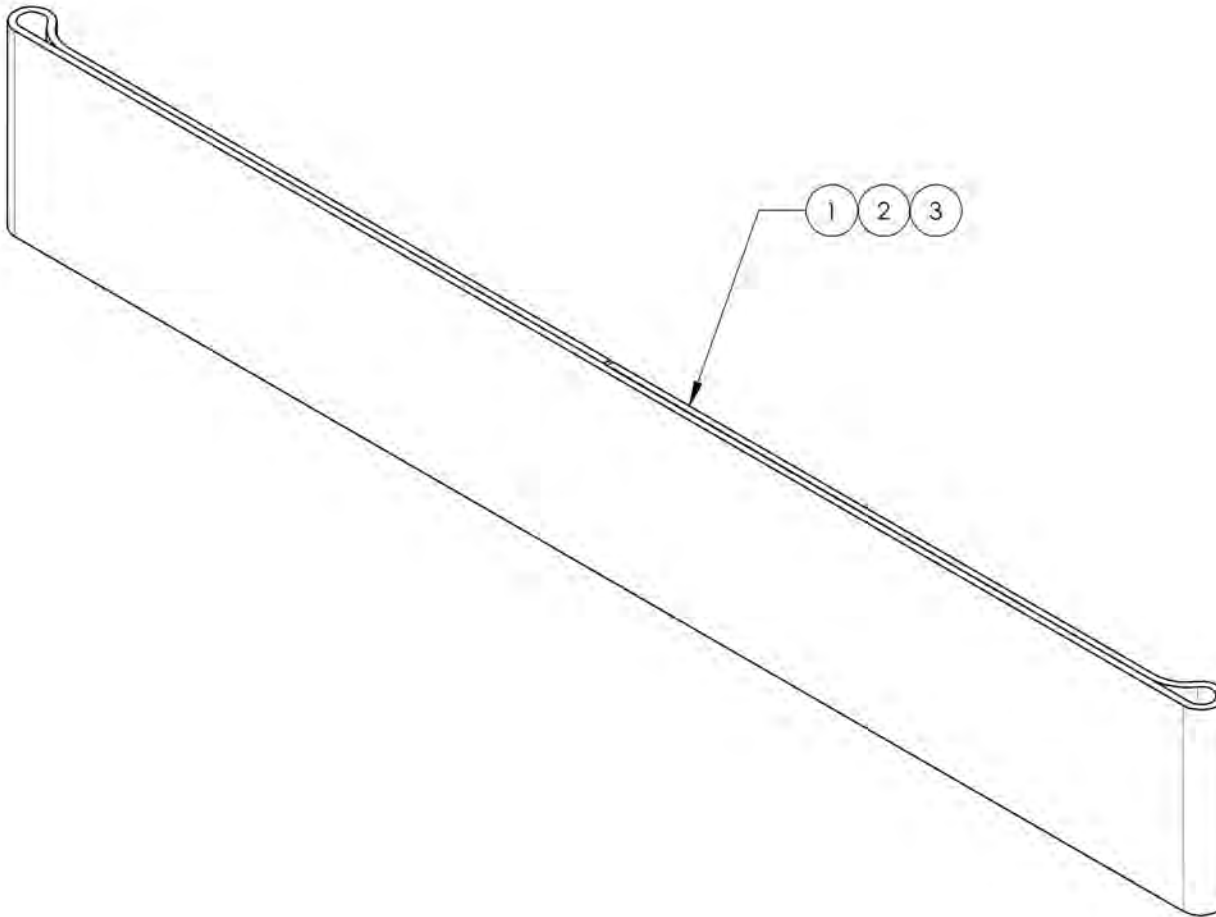
9002141  
Calf Strap - Double, Non-Padded  
(Wheelchair Width: 18 to 22 in)



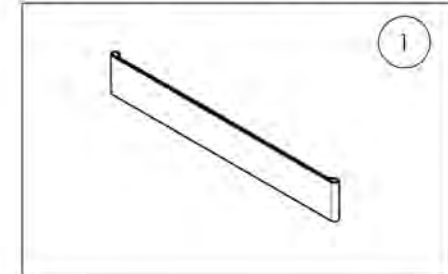
MAKE SURE TO HAVE YOUR SERIAL NUMBER  
NEARBY WHEN ORDERING PARTS FOR YOUR  
MOTION COMPOSITES WHEELCHAIR

**9001068 & 9001412\_9001413**  
**Calf Straps - Non Padded**

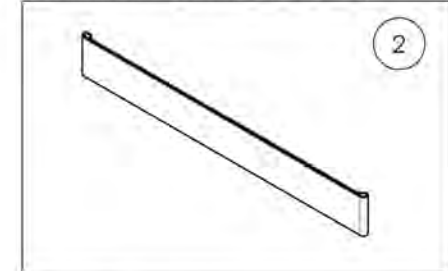
ITEM NO.	PARTNO	DESCRIPTION	9001068 /QTY.	9001412 /QTY.	9001413 /QTY.
1	31159	SIMPLE CALF STRAP 12-14 in	1	-	-
2	31046	SIMPLE CALF STRAP 15-17 in	-	1	-
3	31047	SIMPLE CALF STRAP 18-22 in	-	-	1



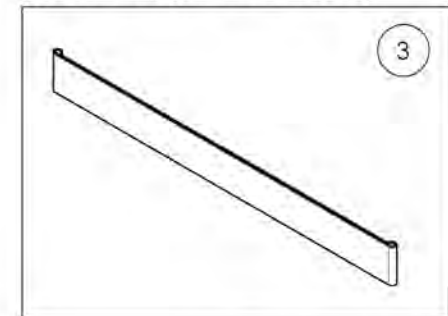
9001068  
 Calf Strap - Non Padded  
 (Wheelchair Width: 12 to 14 in)



9001412  
 Calf Strap - Non Padded  
 (Wheelchair Width: 15 to 17 in)



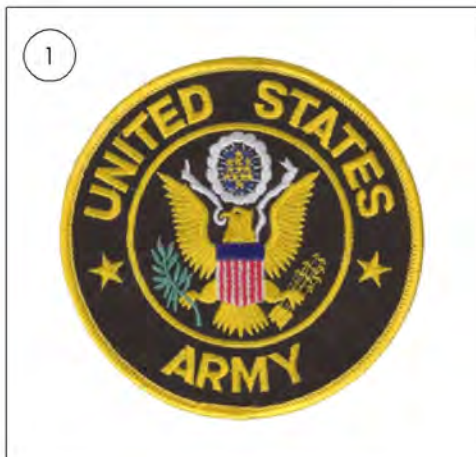
9001413  
 Calf Strap - Non Padded  
 (Wheelchair Width: 18 to 22 in)



MAKE SURE TO HAVE YOUR SERIAL NUMBER  
 NEARBY WHEN ORDERING PARTS FOR YOUR  
 MOTION COMPOSITES WHEELCHAIR

**Accessories Catalogue**  
**Army Patches**

ITEM NO.	PARTNO	DESCRIPTION	QTY.
1	9002230	Army Patch - Army	1
2	9002231	Army Patch - Navy	1
3	9002232	Army Patch - Air Force	1
4	9002233	Army Patch - Marines	1
5	9002234	Army Patch - Combat Wounded Purple Heart	1



MAKE SURE TO HAVE YOUR SERIAL NUMBER NEARBY WHEN ORDERING PARTS FOR YOUR MOTION COMPOSITES WHEELCHAIR

**Accessories Catalogue**  
**Seat Pouch**

ITEM NO.	PARTNO	DESCRIPTION	QTY.
1	9001634	Seat Pouch - Motion Composites	1



MAKE SURE TO HAVE YOUR SERIAL NUMBER  
NEARBY WHEN ORDERING PARTS FOR YOUR  
MOTION COMPOSITES WHEELCHAIR

**Accessories Catalogue**  
**Backpack - Motion Composites**

ITEM NO.	PARTNO	DESCRIPTION	QTY.
1	9002229	Backpack - Motion Composites	1



MAKE SURE TO HAVE YOUR SERIAL NUMBER  
NEARBY WHEN ORDERING PARTS FOR YOUR  
MOTION COMPOSITES WHEELCHAIR

**Accessories Catalogue**  
**Motion Composites T-Shirt**

ITEM NO.	PARTNO	DESCRIPTION	QTY.
1	9001635	T-Shirt - Motion Composites Small	1
2	9001636	T-Shirt - Motion Composites Medium	1
3	9001637	T-Shirt - Motion Composites Large	1
4	9001638	T-Shirt - Motion Composites X-Large	1
5	9001639	T-Shirt - Motion Composites XX-Large	1



MAKE SURE TO HAVE YOUR SERIAL NUMBER  
 NEARBY WHEN ORDERING PARTS FOR YOUR  
 MOTION COMPOSITES WHEELCHAIR

**Accessories Catalogue**  
**Tool Kit**

ITEM NO.	PARTNO	DESCRIPTION	QTY.
1	9001643	Tool Kit	1
2	9002426	Tool - Screwdriver 1.5 mm HEX	1



MAKE SURE TO HAVE YOUR SERIAL NUMBER  
NEARBY WHEN ORDERING PARTS FOR YOUR  
MOTION COMPOSITES WHEELCHAIR



**9001643  
Tool Kit**

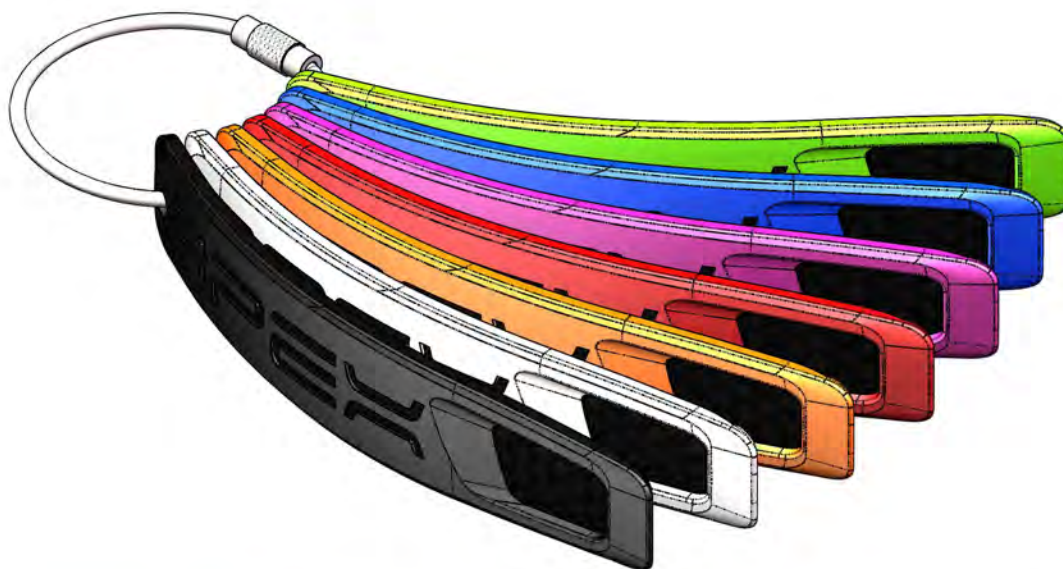
ITEM NO.	PARTNO	DESCRIPTION	9001643 /QTY.
1	80001	THREADED KNOB	1
2	51120	METRIC TOOL KIT	1
3	80002	3° TOOL	1



MAKE SURE TO HAVE YOUR SERIAL NUMBER  
NEARBY WHEN ORDERING PARTS FOR YOUR  
MOTION COMPOSITES WHEELCHAIR

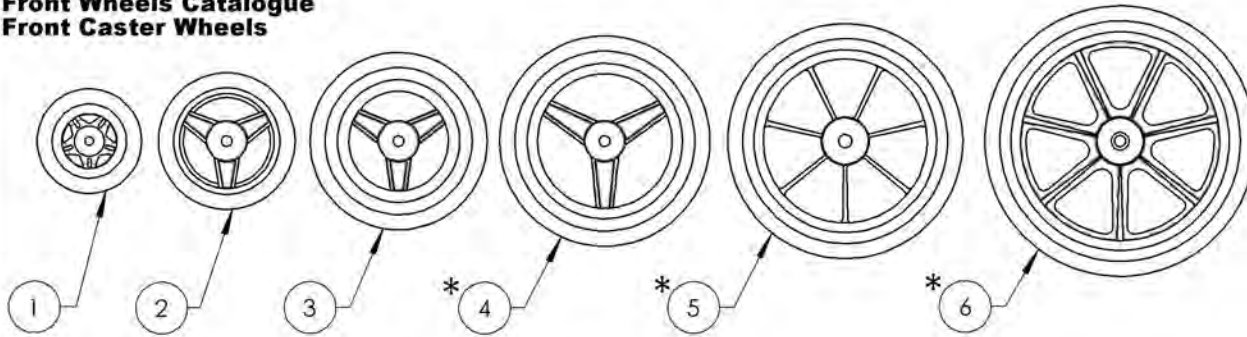
**Accessories Catalogue**  
**Apex Color Swatch**

ITEM NO.	PARTNO	DESCRIPTION	QTY
1	9002496	Color Swatch - Apex Plastic Colors, Key Ring Assembly	1

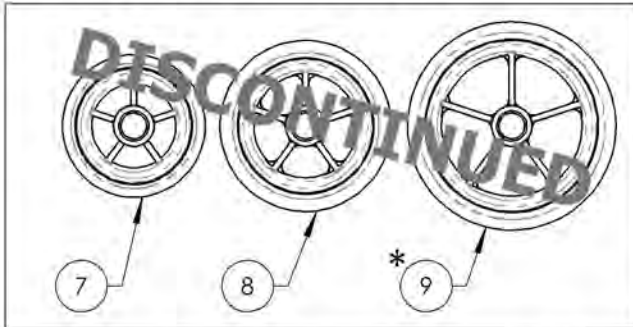


MAKE SURE TO HAVE YOUR SERIAL NUMBER  
 NEARBY WHEN ORDERING PARTS FOR YOUR  
 MOTION COMPOSITES WHEELCHAIR

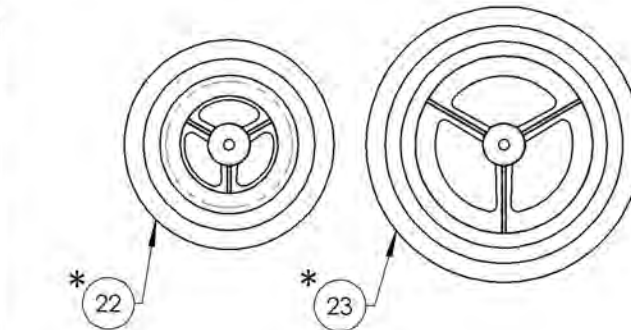
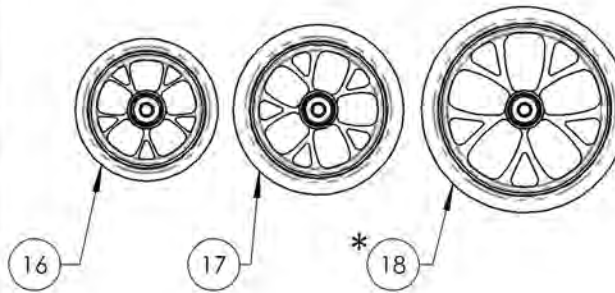
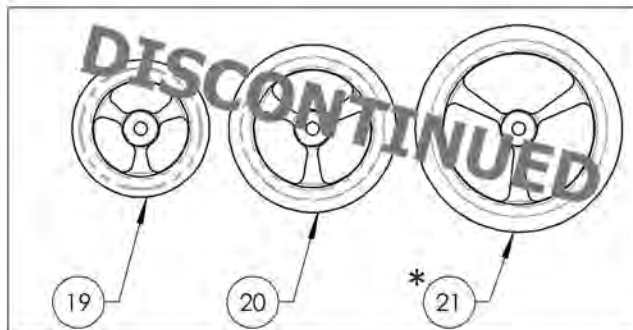
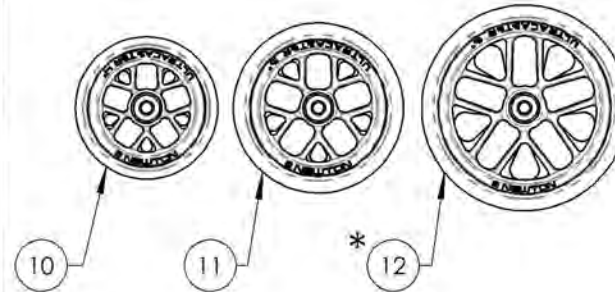
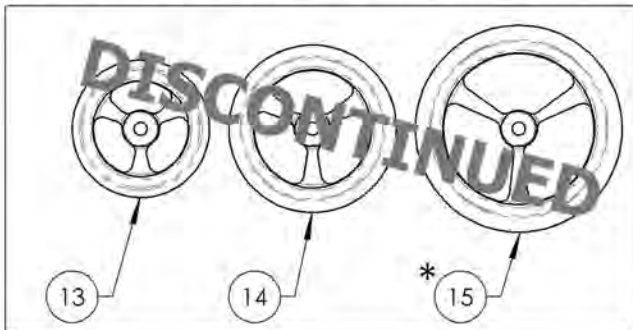
**Front Wheels Catalogue  
Front Caster Wheels**



REPLACED BY #9002843, #9002844 & #9002845



REPLACED BY #9002846, #9002847 & #9002848



ITEM NO.	PARTNO	DESCRIPTION	QTY.
1	9001457	Caster - Composites, 3x1 in	1
2	9001458	Caster - Composites, 4x1 in	1
3	9001459	Caster - Composites, 5x1 in	1
4 *	9001460	Caster - Composites, 6x1 in	1
5 *	9001461	Caster - Composites, 7x1 in	1
6 *	9001462	Caster - Composites, 8x1 in	1
7 *	9001463	Caster - Composites Soft-Roll, 4x1½ in	1
8	9001464	Caster - Composites Soft-Roll, 5x1½ in	1
9 *	9001465	Caster - Composites Soft-Roll, 6x1½ in	1
10	9002843	Newton UltraCaster - Composites, 4 x 1½ in	1
11	9002844	Newton UltraCaster - Composites, 5 x 1½ in	1
12 *	9002845	Newton UltraCaster - Composites, 6 x 1½ in	1
13	9002213	Caster - Aluminum Soft-Roll, 4x1½ in	1
14	9002214	Caster - Aluminum Soft-Roll, 5x1½ in	1
15 *	9002215	Caster - Aluminum Soft-Roll, 6x1½ in	1
16	9002846	Newton UltraCaster - Aluminium, 4 x 1½ in	1
17	9002847	Newton UltraCaster - Aluminium, 5 x 1½ in	1
18 *	9002848	Newton UltraCaster - Aluminium, 6 x 1½ in	1
19	9001466	Caster - Court Wheel Aluminium, 4x1 in	1
20	9001467	Caster - Court Wheel Aluminium, 6x1 in	1
21 *	9001468	Caster - Court Wheel Aluminium, 6x1 in	1
22 *	9001469	Caster - Pneumatic, 6x1½ in	1
23 *	9001470	Caster - Pneumatic, 8x1½ in	1

\*:NOT AVAILABLE ON VELOCE WHEELCHAIRS

**BEARING REPLACEMENT**

**NEWTON ULTRACASTER WHEELS**

9002843, 9002844, 9002845,  
9002846, 9002847 & 9002848

Part#: **22037**

**COMPOSITES & PNEUMATIC CASTER WHEELS**

9001457, 9001458, 9001459, 9001460,  
9001461, 9001462, 9001469 & 9001470

Part#: **22038**

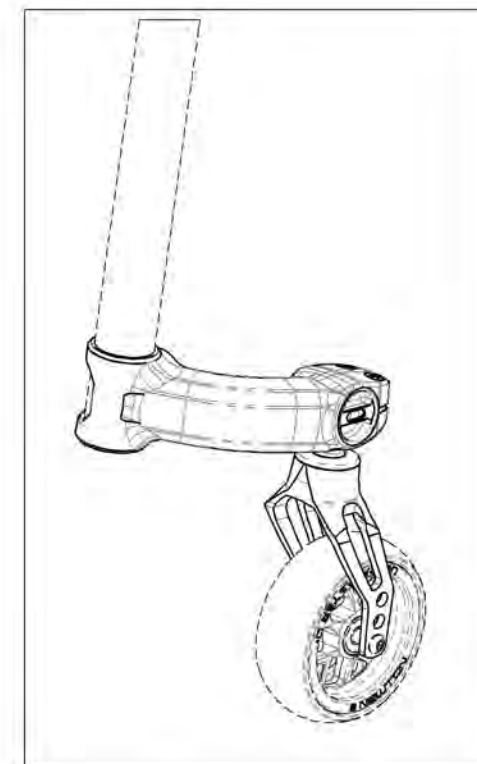
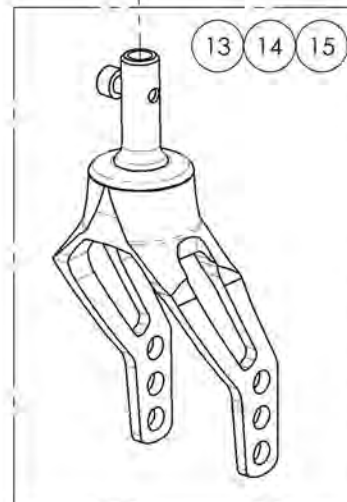
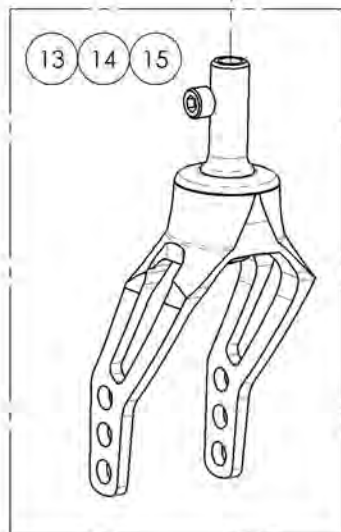
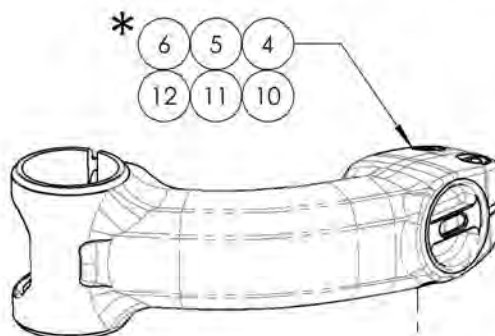
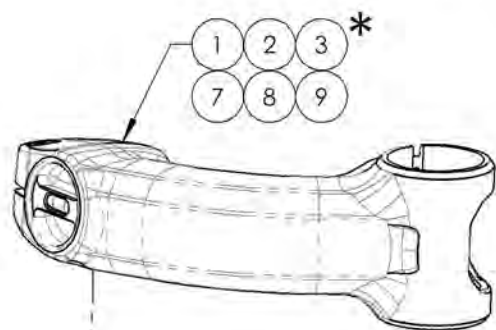
MAKE SURE TO HAVE YOUR SERIAL NUMBER  
NEARBY WHEN ORDERING PARTS FOR YOUR  
MOTION COMPOSITES WHEELCHAIR

**Front Wheels Catalogue  
Front Stem Assembly**

**\* NOTE: SERVICE AND/OR REPLACEMENT FOR  
CASTER MOUNT IS DONE BY MOTION COMPOSITES**

**CONTACT OUR CUSTOMER SERVICE BEFORE TO  
ORDER CASTER MOUNT**

**(PLEASE PROVIDE WHEELCHAIR SERIAL NUMBER)**



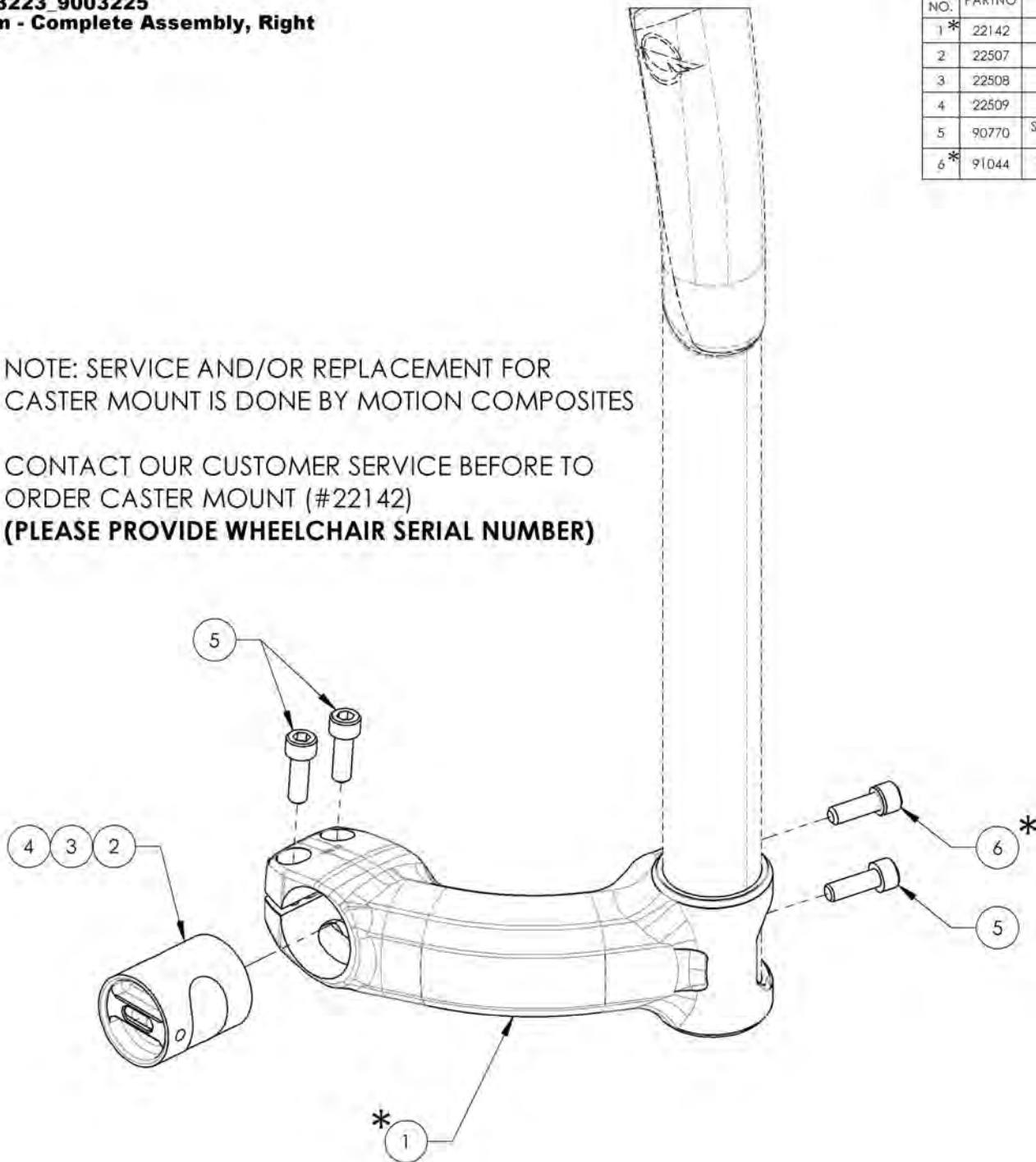
ITEM NO.	PARTNO	DESCRIPTION	QTY
1*	9003223	Stem - Complete Assembly, Right, 0 DEG	1
2*	9003224	Stem - Complete Assembly, Right, 4.5 DEG	1
3*	9003225	Stem - Complete Assembly, Right, 9 DEG	1
4*	9003226	Stem - Complete Assembly, Left, 0 DEG	1
5*	9003227	Stem - Complete Assembly, Left, 4.5 DEG	1
6*	9003228	Stem - Complete Assembly, Left, 9 DEG	1
7*	9003268	Stem - Complete Assembly, 65mm, Right, 0 DEG	1
8*	9003269	Stem - Complete Assembly, 65mm, Right, 4.5 DEG	1
9*	9003270	Stem - Complete Assembly, 65mm, Right, 9 DEG	1
10*	9003271	Stem - Complete Assembly, 65mm, Left, 0 DEG	1
11*	9003272	Stem - Complete Assembly, 65mm, Left, 4.5 DEG	1
12*	9003273	Stem - Complete Assembly, 65mm, Left, 9 DEG	1
13	9003229	Fork - Assembly with STD Stem Bolt	2
14	9003230	Fork - Assembly with +0.5 in Stem Bolt	2
15	9003231	Fork - Assembly with +1 in Stem Bolt	2

**MAKE SURE TO HAVE YOUR SERIAL NUMBER  
NEARBY WHEN ORDERING PARTS FOR YOUR  
MOTION COMPOSITES WHEELCHAIR**

**9003223\_9003225**  
**Stem - Complete Assembly, Right**

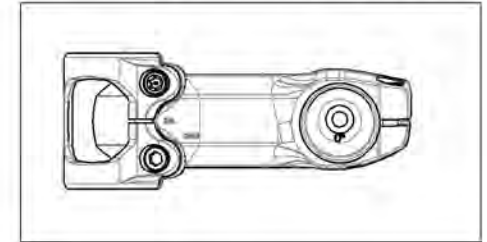
\* NOTE: SERVICE AND/OR REPLACEMENT FOR  
 CASTER MOUNT IS DONE BY MOTION COMPOSITES

CONTACT OUR CUSTOMER SERVICE BEFORE TO  
 ORDER CASTER MOUNT (#22142)  
**(PLEASE PROVIDE WHEELCHAIR SERIAL NUMBER)**

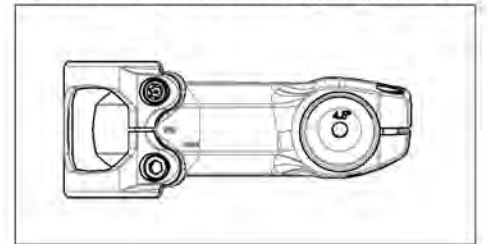


ITEM NO.	PARTNO	DESCRIPTION	9003223 /QTY.	9003224 /QTY.	9003225 /QTY.
1*	22142	RIGHT CASTER MOUNT	1	1	1
2	22507	CANTILEVER 0° ANGLED HOUSING ASSEMBLY	1	-	-
3	22508	CANTILEVER 4.5° ANGLED HOUSING ASSEMBLY	-	1	-
4	22509	CANTILEVER 9° ANGLED HOUSING ASSEMBLY	-	-	1
5	90770	SOCKET CAP SCREW M6X1 X 18mm LONG FULLY THREADED + BLUE TREADLOCKER - BLACK ZINC	3	3	3
6*	91044	SECURITY SOCKET CAP SCREW M6X1 X 18mm LONG, FULLY THREADED + BLUE THREADLOCKER	1	1	1

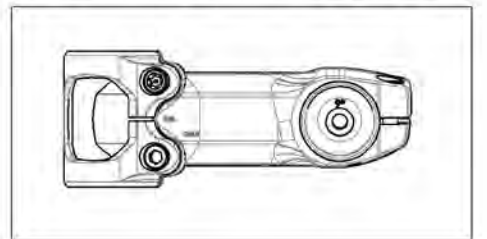
9003223  
 Stem - Complete Assembly, Right, 0 DEG



9003224  
 Stem - Complete Assembly, Right, 4.5 DEG



9003225  
 Stem - Complete Assembly, Right, 9 DEG



MAKE SURE TO HAVE YOUR SERIAL NUMBER  
 NEARBY WHEN ORDERING PARTS FOR YOUR  
 MOTION COMPOSITES WHEELCHAIR

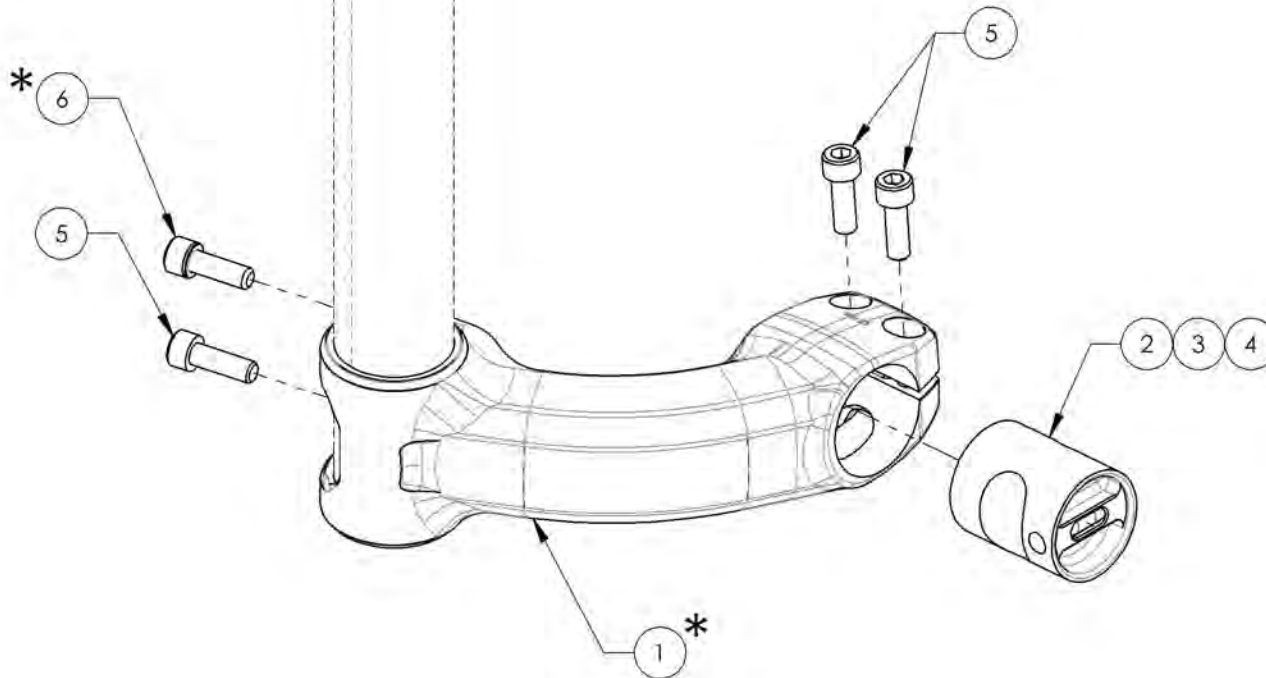
**9003226\_9003228**  
**Stem - Complete Assembly, Left**

ITEM NO.	PARTNO	DESCRIPTION	9003226 /QTY.	9003227 /QTY.	9003228 /QTY.
1*	22141	LEFT CASTER MOUNT	1	1	1
2	22507	CANTILEVER 0° ANGLED HOUSING ASSEMBLY	1	-	-
3	22508	CANTILEVER 4.5° ANGLED HOUSING ASSEMBLY	-	1	-
4	22509	CANTILEVER 9° ANGLED HOUSING ASSEMBLY	-	-	1
5	90770	SOCKET CAP SCREW M6X1 X 18mm LONG, FULLY THREADED + BLUE TREADLOCKER - BLACK ZINC	3	3	3
6*	91044	SECURITY SOCKET CAP SCREW M6X1 X 18mm LONG, FULLY THREADED + BLUE THREADLOCKER	1	1	1

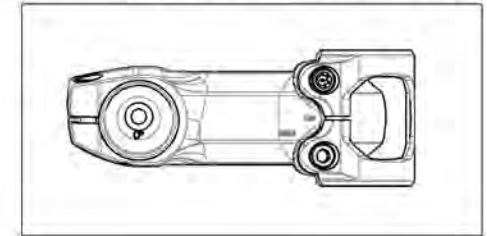


**\* NOTE: SERVICE AND/OR REPLACEMENT FOR CASTER MOUNT IS DONE BY MOTION COMPOSITES**

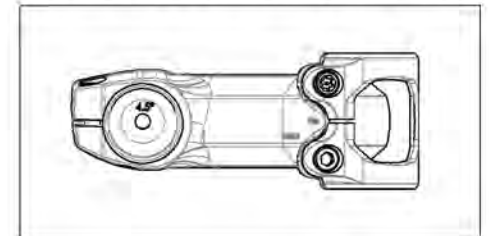
CONTACT OUR CUSTOMER SERVICE BEFORE TO ORDER CASTER MOUNT (#22141)  
**(PLEASE PROVIDE WHEELCHAIR SERIAL NUMBER)**



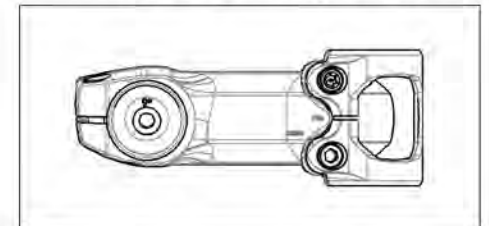
9003226  
 Stem - Complete Assembly, Left, 0 DEG



9003227  
 Stem - Complete Assembly, Left, 4.5 DEG



9003228  
 Stem - Complete Assembly, Left, 9 DEG

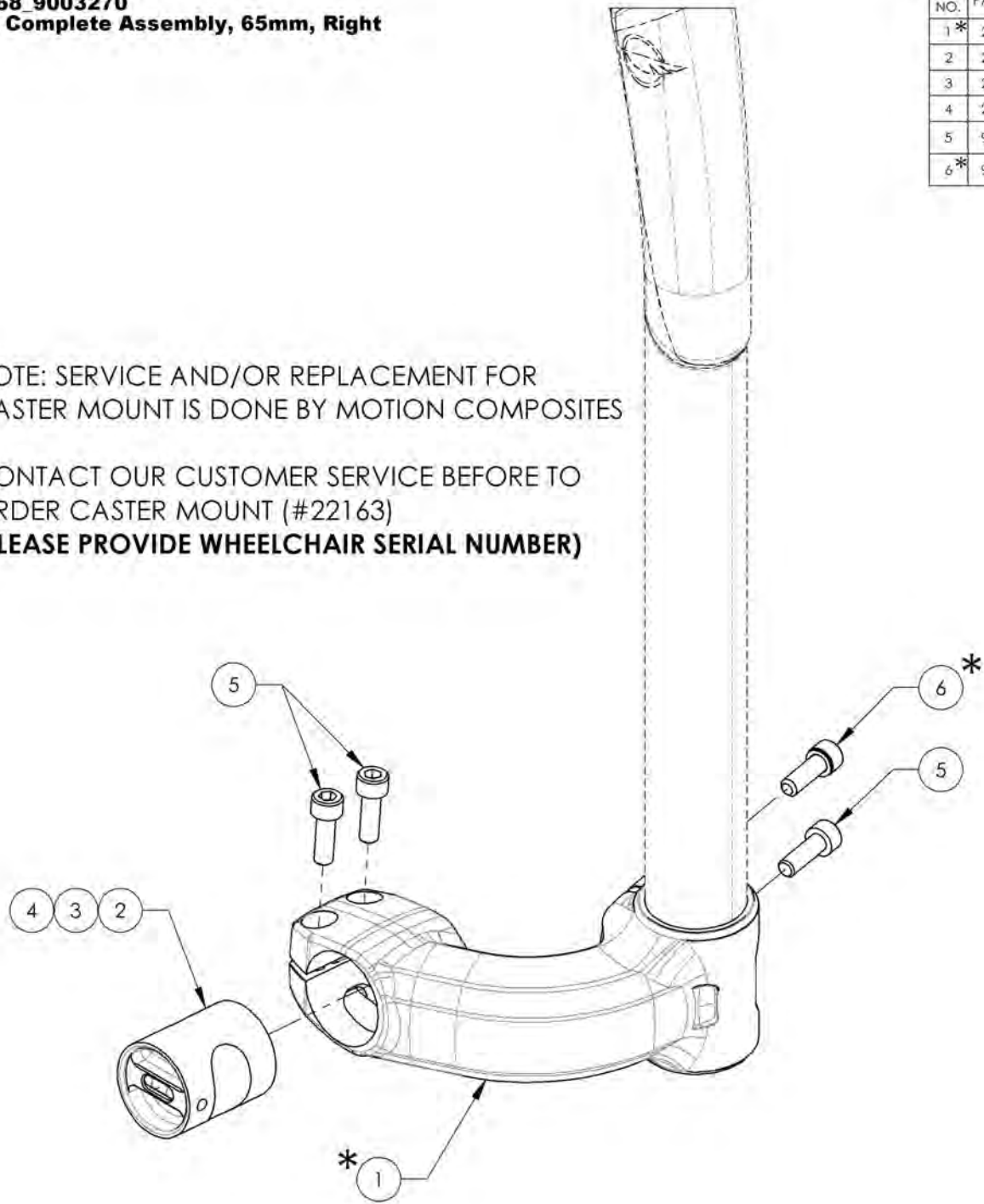


MAKE SURE TO HAVE YOUR SERIAL NUMBER NEARBY WHEN ORDERING PARTS FOR YOUR MOTION COMPOSITES WHEELCHAIR

**9003268\_9003270**  
**Stem - Complete Assembly, 65mm, Right**

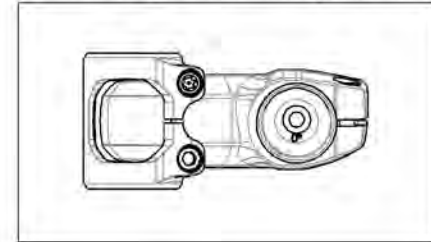
\* NOTE: SERVICE AND/OR REPLACEMENT FOR  
 CASTER MOUNT IS DONE BY MOTION COMPOSITES

CONTACT OUR CUSTOMER SERVICE BEFORE TO  
 ORDER CASTER MOUNT (#22163)  
**(PLEASE PROVIDE WHEELCHAIR SERIAL NUMBER)**

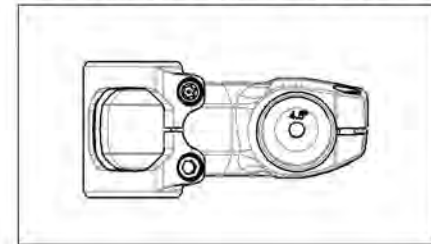


ITEM NO.	PARTNO	DESCRIPTION	9003268 /QTY.	9003269 /QTY.	9003270 /QTY.
1*	22163	CASTER MOUNT 65mm, RIGHT	1	1	1
2	22507	CANTILEVER 0° ANGLED HOUSING ASSEMBLY	1	-	-
3	22508	CANTILEVER 4.5° ANGLED HOUSING ASSEMBLY	-	1	-
4	22509	CANTILEVER 9° ANGLED HOUSING ASSEMBLY	-	-	1
5	90770	SOCKET CAP SCREW M6X1 X 18mm LONG, FULLY THREADED + BLUE TREADLOCKER - BLACK ZINC	3	3	3
6*	91044	SECURITY SOCKET CAP SCREW M6X1 X 18mm LONG, FULLY THREADED + BLUE THREADLOCKER	1	1	1

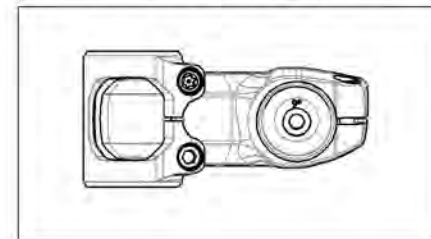
9003268  
 Stem - Complete Assembly, 65mm, Right, 0 DEG



9003269  
 Stem - Complete Assembly, 65mm, Right, 4.5 DEG



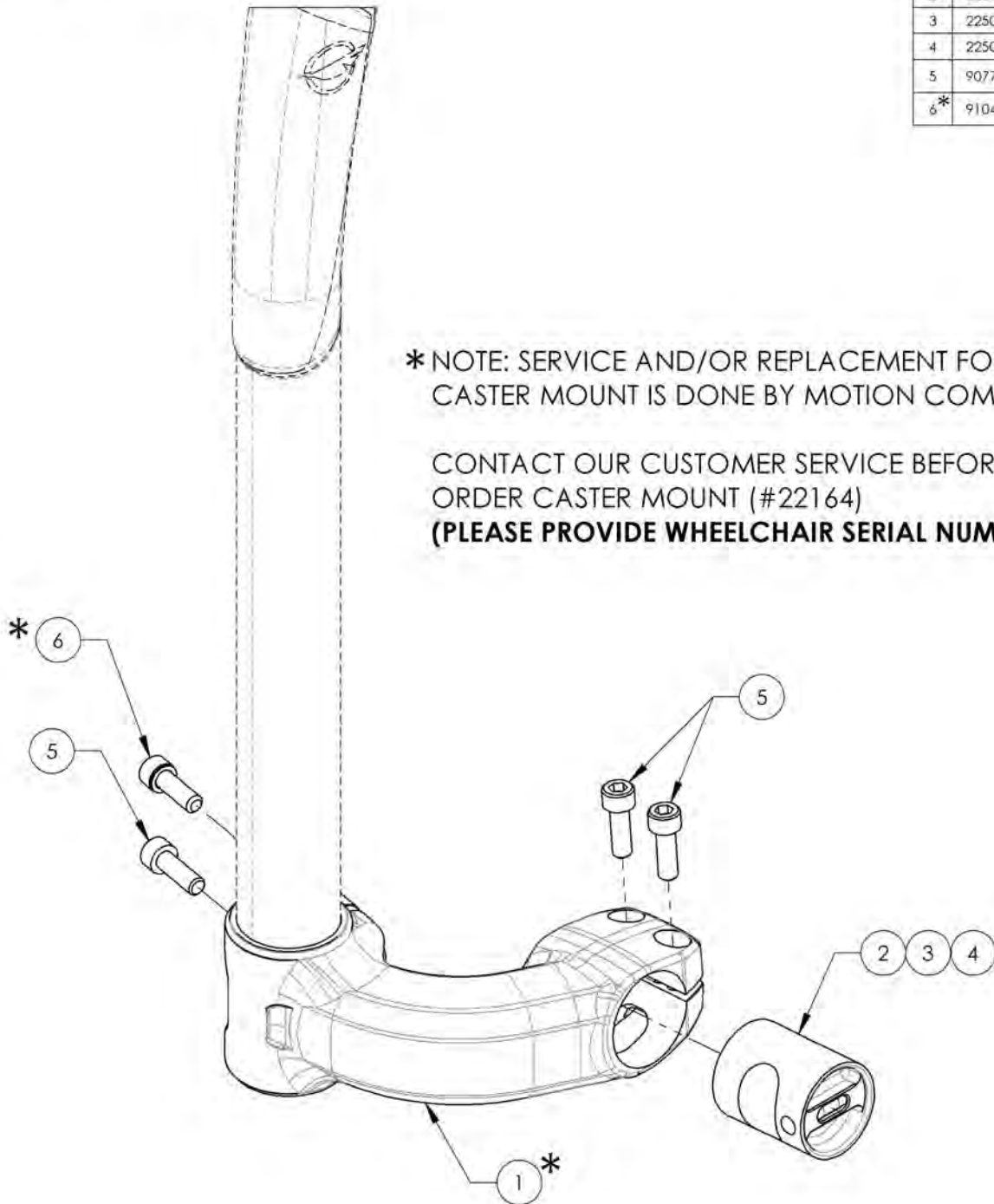
9003270  
 Stem - Complete Assembly, 65mm, Right, 9 DEG



MAKE SURE TO HAVE YOUR SERIAL NUMBER  
 NEARBY WHEN ORDERING PARTS FOR YOUR  
 MOTION COMPOSITES WHEELCHAIR

**9003271\_9003273**  
**Stem - Complete Assembly, 65mm, Left**

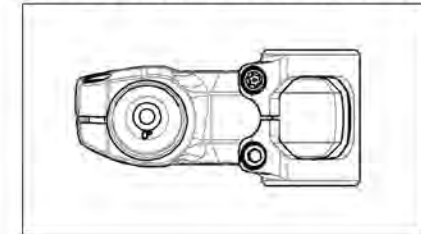
ITEM NO.	PARTNO	DESCRIPTION	9003271 /QTY.	9003272 /QTY.	9003273 /QTY.
1*	22164	CASTER MOUNT 65mm, LEFT	1	1	1
2	22507	CANTILEVER 0° ANGLED HOUSING ASSEMBLY	1	-	-
3	22508	CANTILEVER 4.5° ANGLED HOUSING ASSEMBLY	-	1	-
4	22509	CANTILEVER 9° ANGLED HOUSING ASSEMBLY	-	-	1
5	90770	SOCKET CAP SCREW M6X1 X 18mm LONG, FULLY THREADED + BLUE TREADLOCKER - BLACK ZINC	3	3	3
6*	91044	SECURITY SOCKET CAP SCREW M6X1 X 18mm LONG, FULLY THREADED + BLUE THREADLOCKER	1	1	1



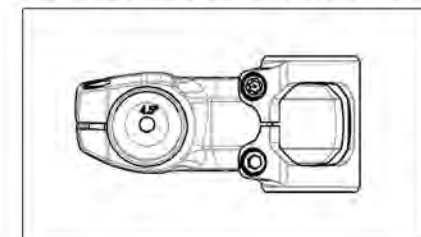
**\* NOTE: SERVICE AND/OR REPLACEMENT FOR CASTER MOUNT IS DONE BY MOTION COMPOSITES**

CONTACT OUR CUSTOMER SERVICE BEFORE TO ORDER CASTER MOUNT (#22164)  
**(PLEASE PROVIDE WHEELCHAIR SERIAL NUMBER)**

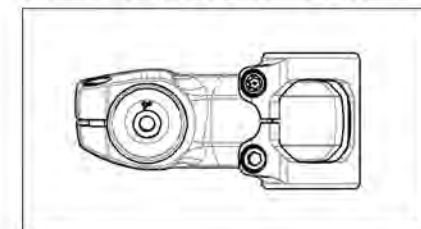
9003271  
 Stem - Complete Assembly, 65mm, Left, 0 DEG



9003272  
 Stem - Complete Assembly, 65mm, Left, 4.5 DEG



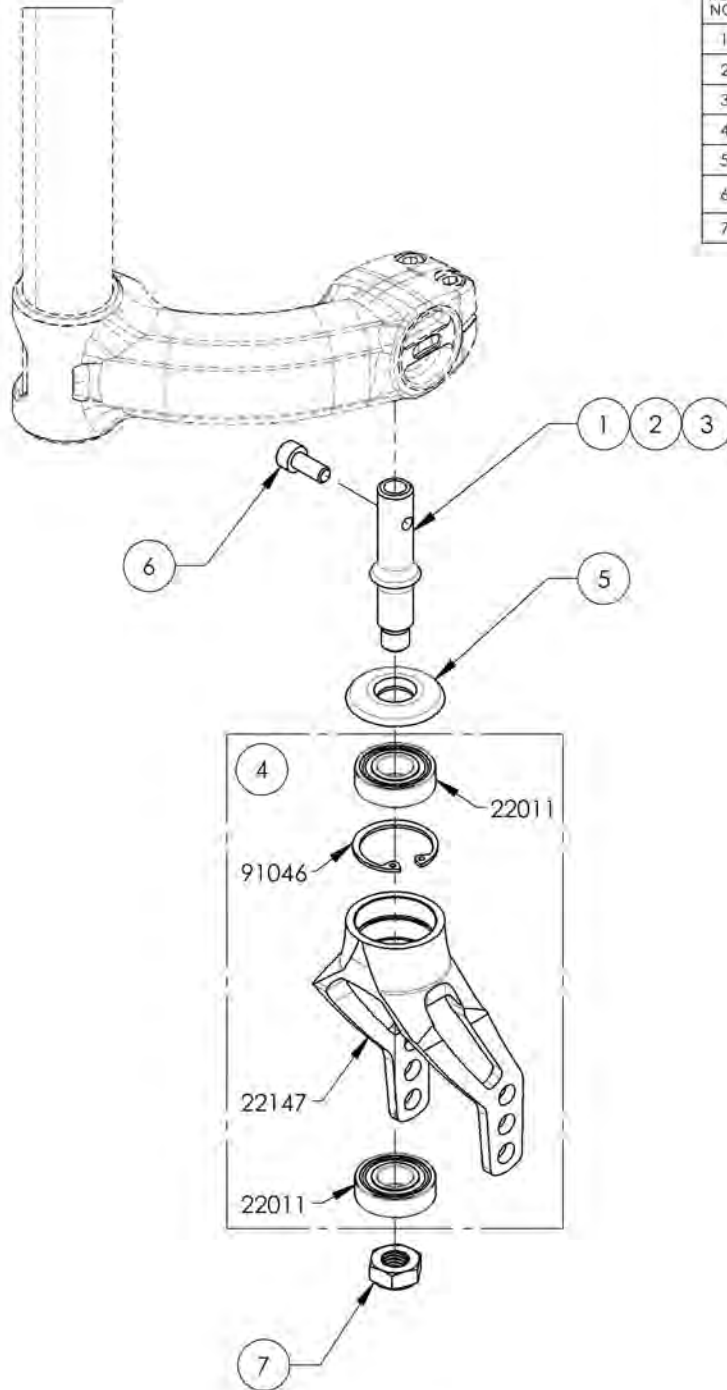
9003273  
 Stem - Complete Assembly, 65mm, Left, 9 DEG



MAKE SURE TO HAVE YOUR SERIAL NUMBER NEARBY WHEN ORDERING PARTS FOR YOUR MOTION COMPOSITES WHEELCHAIR



**9003229\_9003231**  
**Fork - Assembly with Stem Bolt**

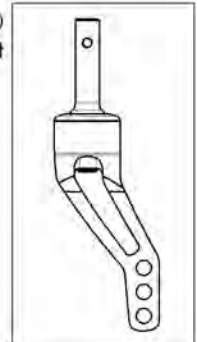


ITEM NO.	PARTNO	DESCRIPTION	9003229 /QTY.	9003230 /QTY.	9003231 /QTY.
1	22151	STRESS RELIEF STANDARD STEM BOLT	1	-	-
2	22143	STRESS RELIEF +0.5 STEM BOLT	-	1	-
3	22144	STRESS RELIEF +1 STEM BOLT	-	-	1
4	22520	INTEGRATED BEARING FORK - ASSEMBLY	1	1	1
5	22152	INTEGRATED BEARINGS FORK CAP	1	1	1
6	90767	SOCKET CAP SCREW M6X1 X 14mm LONG, FULLY THREADED + BLUE TREADLOCKER - BLACK ZINC	1	1	1
7	90991	M10 LOW NYLON LOCK	1	1	1

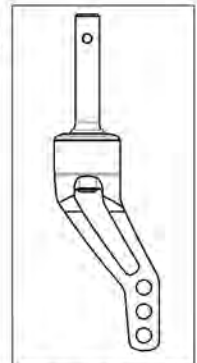
9003229  
 Fork - Assembly with STD Stem Bolt



9003230  
 Fork - Assembly with +0.5 in Stem Bolt

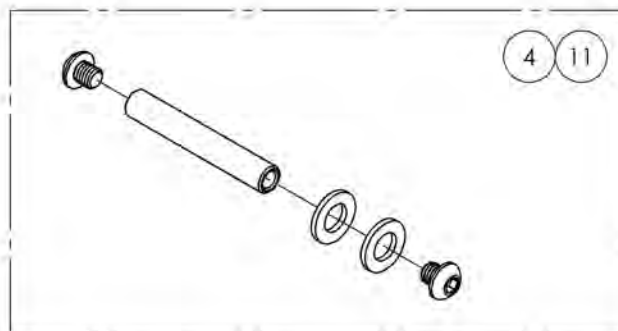
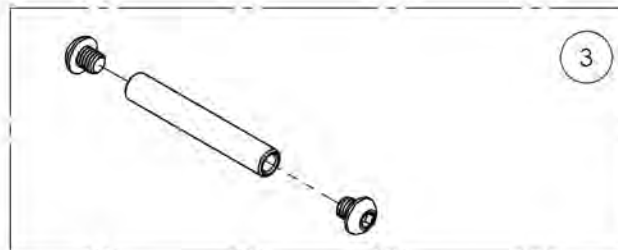
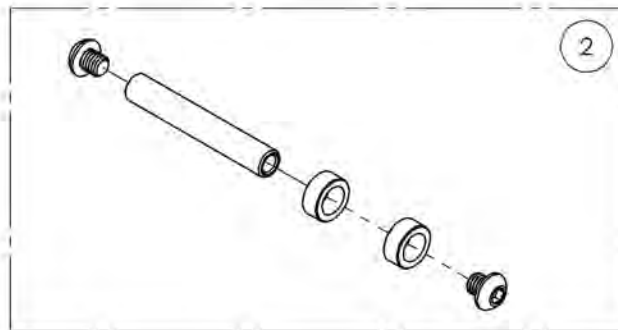
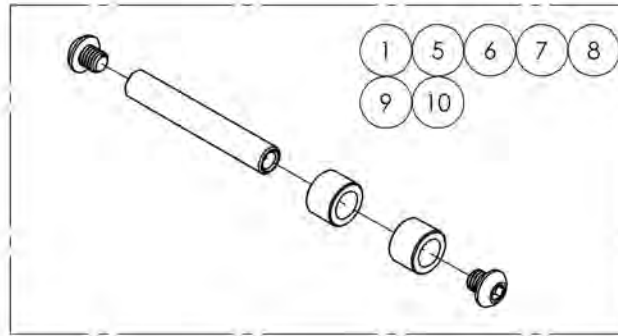


9003231  
 Fork - Assembly with +1 in Stem Bolt



MAKE SURE TO HAVE YOUR SERIAL NUMBER NEARBY WHEN ORDERING PARTS FOR YOUR MOTION COMPOSITES WHEELCHAIR

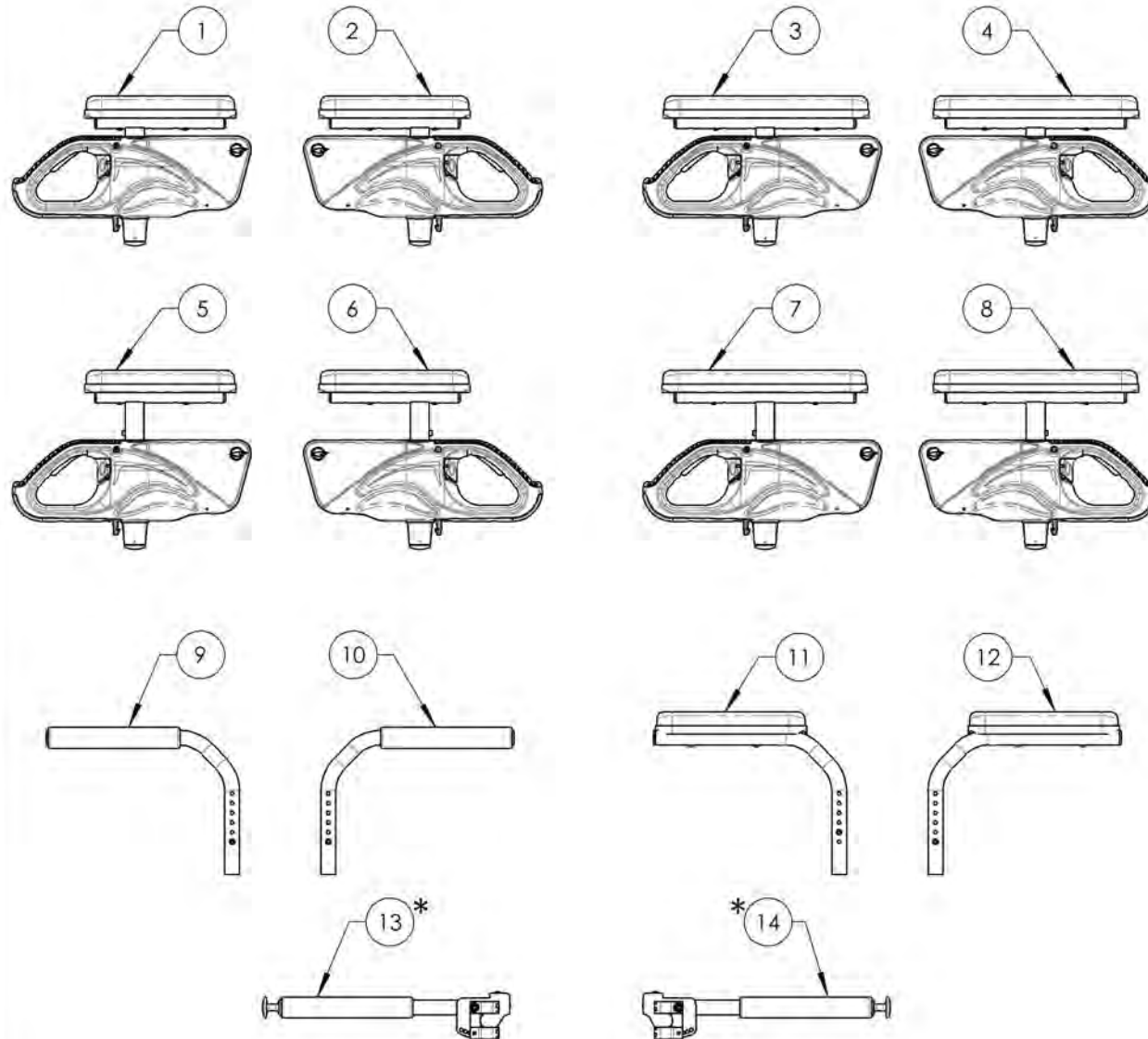
**Front Wheels Catalogue**  
**Integrated Bearing Fork Hardware**



ITEM NO.	PARTNO	DESCRIPTION	QTY.
1	9003240	Integrated Bearing Fork - Hardware For Composite Caster, 3x1 in	1
2	9003241	Integrated Bearing Fork - Hardware For Composite Caster, 4x1 in	1
3	9003242	Integrated Bearing Fork - Hardware For Composite Caster, 5x1 in	1
4	9003243	Integrated Bearing Fork - Hardware For Composite Caster, 6x1 in	1
5	9003246	Integrated Bearing Fork - Hardware For Newton Ultracaster, 4x1 1/2 in	1
6	9003247	Integrated Bearing Fork - Hardware For Newton Ultracaster, 5x1 1/2 in	1
7	9003248	Integrated Bearing Fork - Hardware For Newton Ultracaster, 6x1 1/2 in	1
8	9003249	Integrated Bearing Fork - Hardware For Court Wheel Aluminium Caster, 4x1 in	1
9	9003250	Integrated Bearing Fork - Hardware For Court Wheel Aluminium Caster, 5x1 in	1
10	9003251	Integrated Bearing Fork - Hardware For Court Wheel Aluminium Caster, 6x1 in	1
11	9003252	Integrated Bearing Fork - Hardware For Pneumatic Caster, 6x1 1/4 in	1

MAKE SURE TO HAVE YOUR SERIAL NUMBER  
 NEARBY WHEN ORDERING PARTS FOR YOUR  
 MOTION COMPOSITES WHEELCHAIR

**Armrest Catalogue  
Armrests**

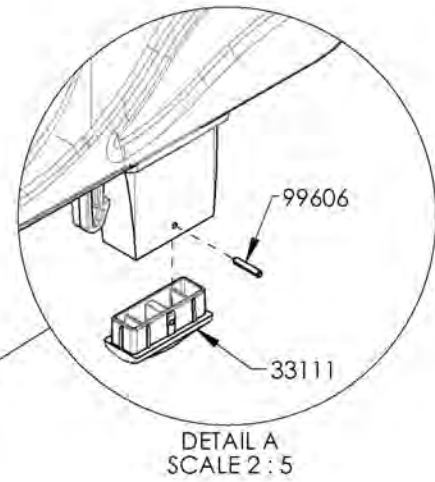
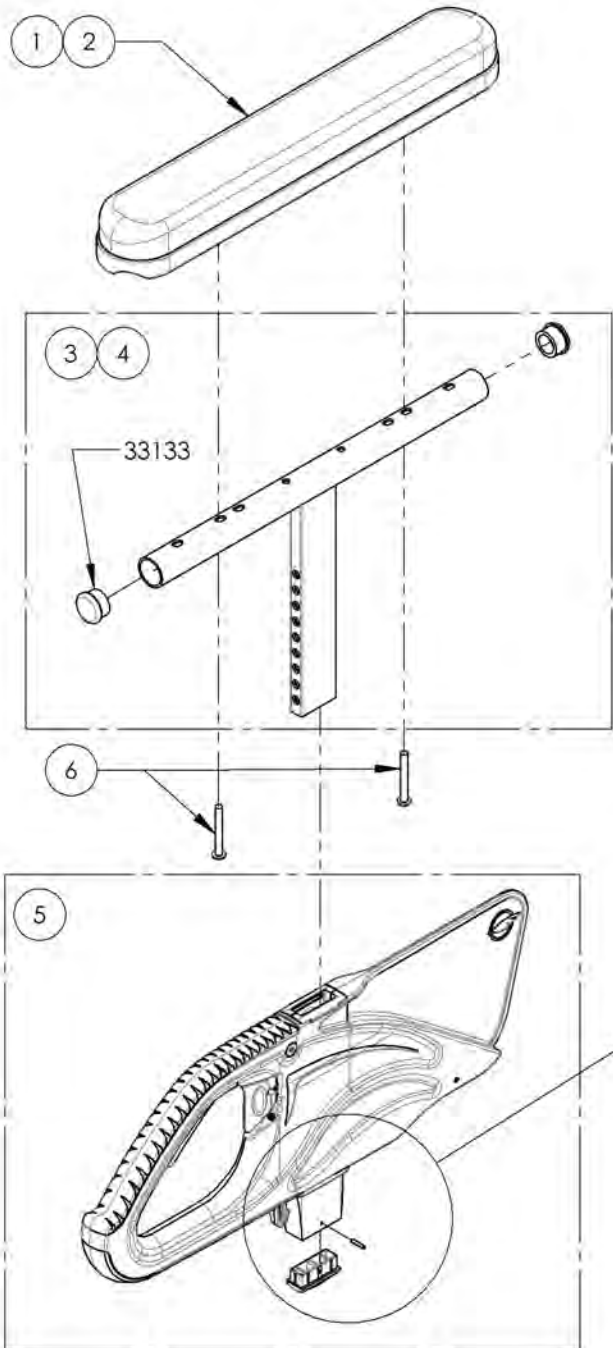


ITEM NO.	PARTNO	DESCRIPTION	QTY.
1	9001299	Armrest - Flip Back & T Type Right, 8-12 in, Desk Length	1
2	9001303	Armrest - Flip Back & T Type Left, 8-12 in, Desk Length	1
3	9001300	Armrest - Flip Back & T Type Right, 8-12 in, Full Length	1
4	9001304	Armrest - Flip Back & T Type Left, 8-12 in, Full Length	1
5	9001301	Armrest - Flip Back & T Type Right, 10-14 in, Desk Length	1
6	9001305	Armrest - Flip Back & T Type Left, 10-14 in, Desk Length	1
7	9001302	Armrest - Flip Back & T Type Right, 10-14 in, Full Length	1
8	9001306	Armrest - Flip Back & T Type Left, 10-14 in, Full Length	1
9	9003652	Armrest - Swing Away, Right, Tubular, Fold Down Locking Backrest	1
10	9003653	Armrest - Swing Away, Left, Tubular, Fold Down Locking Backrest	1
11	9003654	Armrest - Swing Away, Right, Desk Length, Fold Down Locking Backrest	1
12	9003655	Armrest - Swing Away, Left, Desk Length, Fold Down Locking Backrest	1
13*	9001316	Locking Armrest - Flip Up, Right	1
14*	9001317	Locking Armrest - Flip Up, Left	1

\*: ONLY USE WITH ALUMINIUM BACK CANES

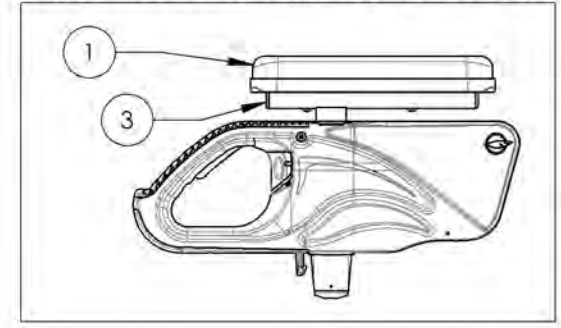
MAKE SURE TO HAVE YOUR SERIAL NUMBER NEARBY WHEN ORDERING PARTS FOR YOUR MOTION COMPOSITES WHEELCHAIR

**9001299\_9001300**  
**Armrest - Flip Back & T Type Right, 8-12 in**

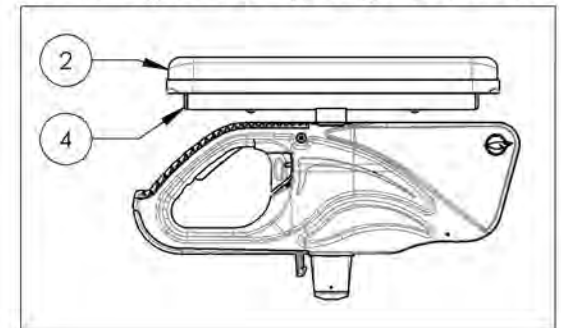


ITEM NO.	PARTNO	DESCRIPTION	9001299 /QTY.	9001300 /QTY.
1	33038	ARMREST DESK PAD	1	-
2	33039	ARMREST FULL LENGTH PAD	-	1
3	33579	V2 ARMREST STRUCTURE 8-12" FOR DESK LENGTH - ASSEMBLY	1	-
4	33559	V2 ARMREST STRUCTURE 8-12" FOR FULL LENGTH - ASSEMBLY	-	1
5	33554	V2 ARMREST - MAIN BODY	1	1
6	99013	SCREW PHILLIPS PAN HD #10_32 X 1_1_2 + BLUETHREADLOCKER	2	2

9001299  
 Armrest - Flip Back & T Type Right, 8-12 in, Desk Length

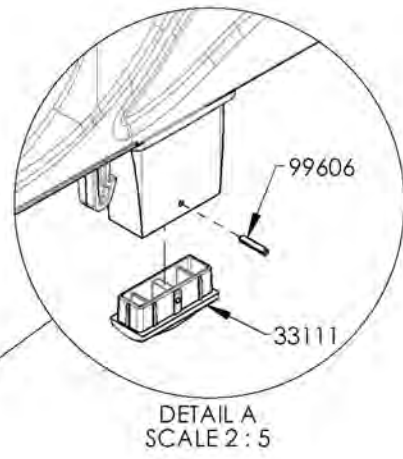
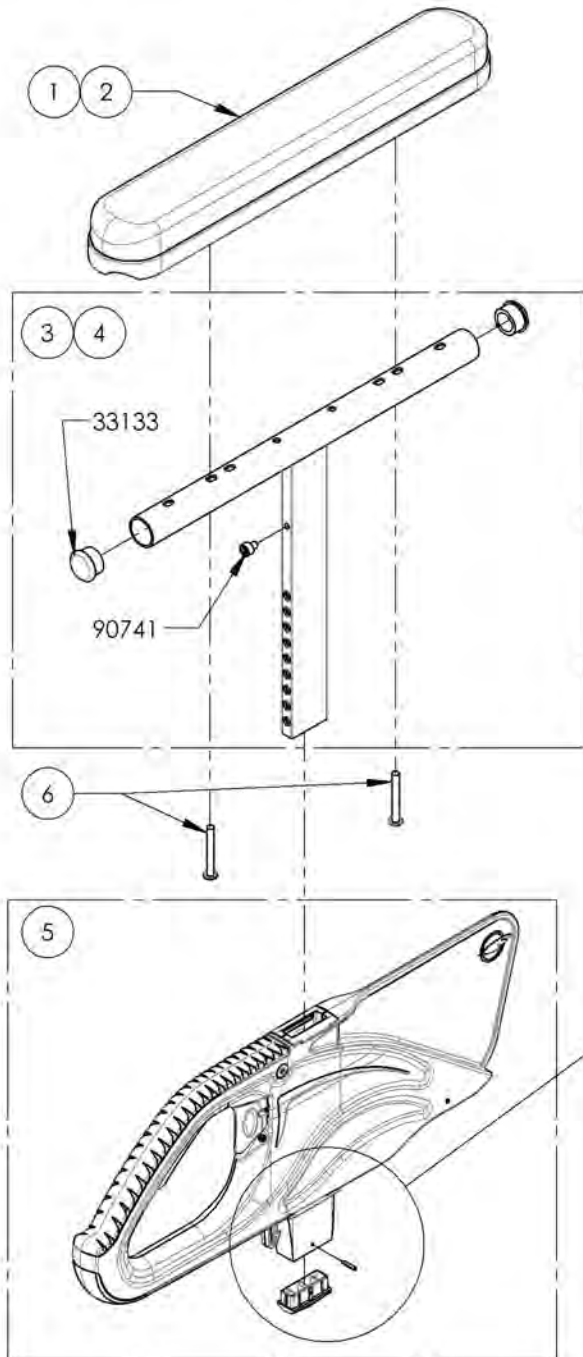


9001300  
 Armrest - Flip Back & T Type Right, 8-12 in, Full Length



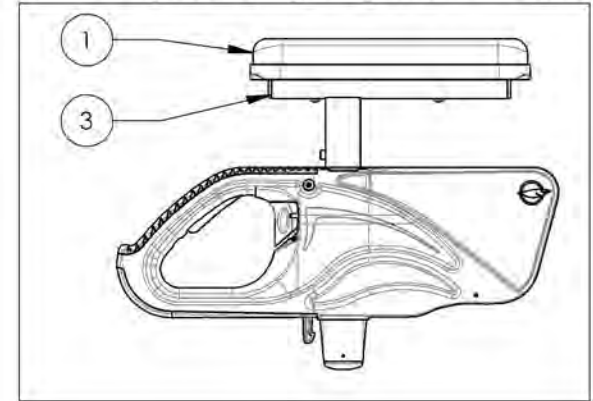
MAKE SURE TO HAVE YOUR SERIAL NUMBER NEARBY WHEN ORDERING PARTS FOR YOUR MOTION COMPOSITES WHEELCHAIR

**9001301\_9001302**  
**Armrest - Flip Back & T Type Right, 10-14 in**

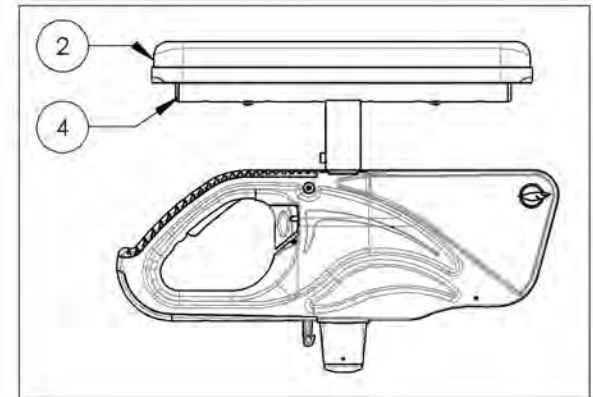


ITEM NO.	PARTNO	DESCRIPTION	9001301 /QTY.	9001302 /QTY.
1	33038	ARMREST DESK PAD	1	-
2	33039	ARMREST FULL LENGTH PAD	-	1
3	33580	V2 ARMREST STRUCTURE 10-14" FOR DESK LENGTH - ASSEMBLY	1	-
4	33560	V2 ARMREST STRUCTURE 10-14" FOR FULL LENGTH - ASSEMBLY	-	1
5	33554	V2 ARMREST - MAIN BODY	1	1
6	99013	SCREW PHILLIPS PAN HD #10_32 X 1_1_2 + BLUE THREADLOCKER	2	2

**9001301**  
**Armrest - Flip Back & T Type Right, 10-14 in, Desk Length**

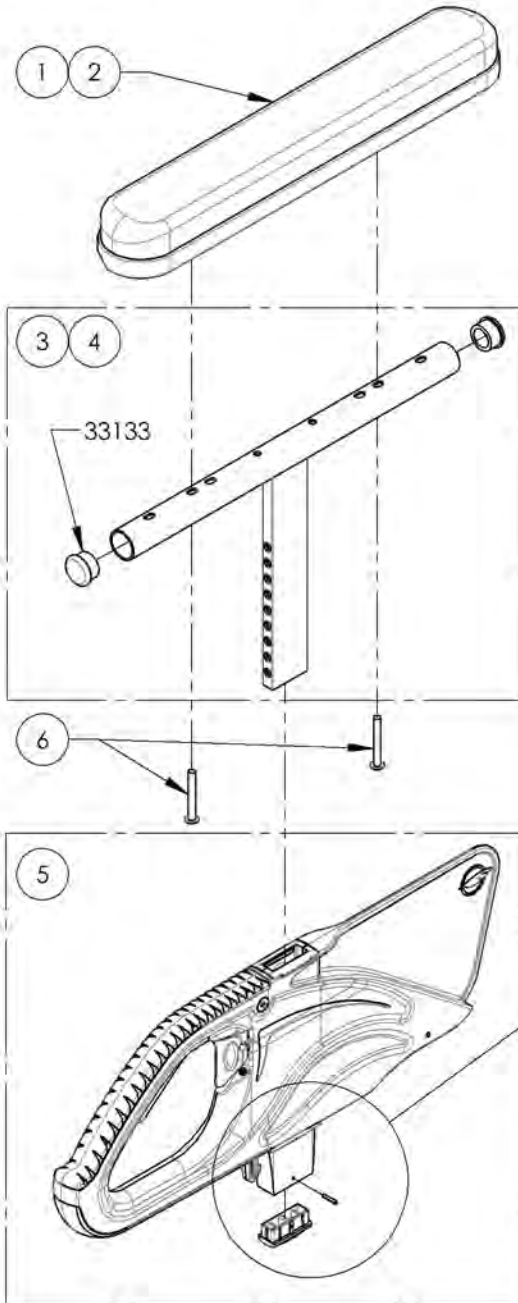


**9001302**  
**Armrest - Flip Back & T Type Right, 10-14 in, Full Length**



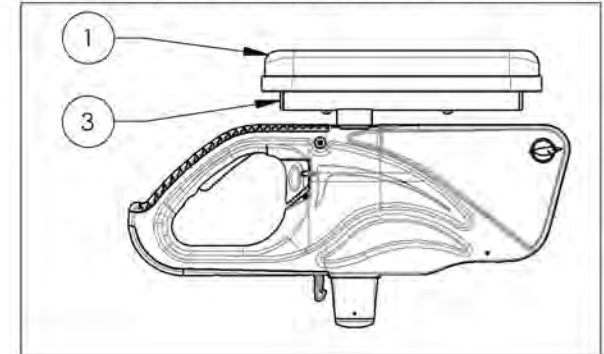
MAKE SURE TO HAVE YOUR SERIAL NUMBER NEARBY WHEN ORDERING PARTS FOR YOUR MOTION COMPOSITES WHEELCHAIR

**9001303\_9001304**  
**Armrest - Flip Back & T Type Left, 8-12 in**

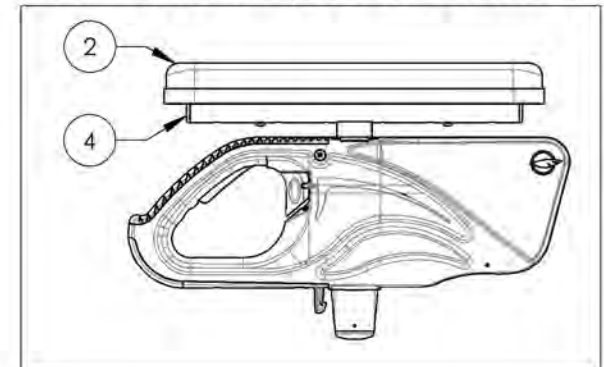


ITEM NO.	PARTNO	DESCRIPTION	9001303 /QTY.	9001304 /QTY.
1	33038	ARMREST DESK PAD	1	-
2	33039	ARMREST FULL LENGTH PAD	-	1
3	33579	V2 ARMREST STRUCTURE 8-12" FOR DESK LENGTH - ASSEMBLY	1	-
4	33559	V2 ARMREST STRUCTURE 8-12" FOR FULL LENGTH - ASSEMBLY	-	1
5	33554	V2 ARMREST - MAIN BODY	1	1
6	99013	SCREW PHILLIPS PAN HD #10_32 X 1_1_2 + BLUE THREADLOCKER	2	2

9001303  
 Armrest - Flip Back & T Type Left, 8-12 in, Desk Length



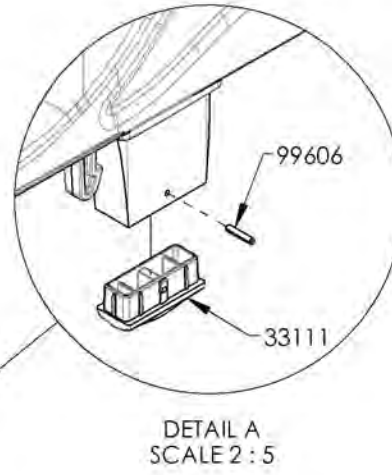
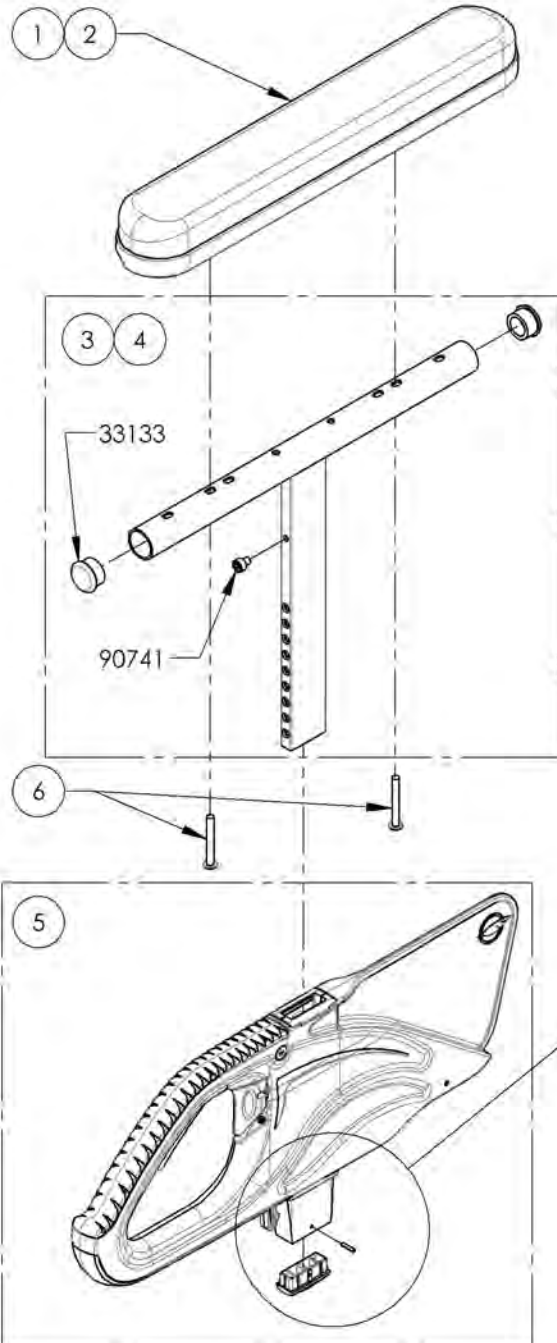
9001304  
 Armrest - Flip Back & T Type Left, 8-12 in, Full Length



DETAIL A  
 SCALE 2 : 5

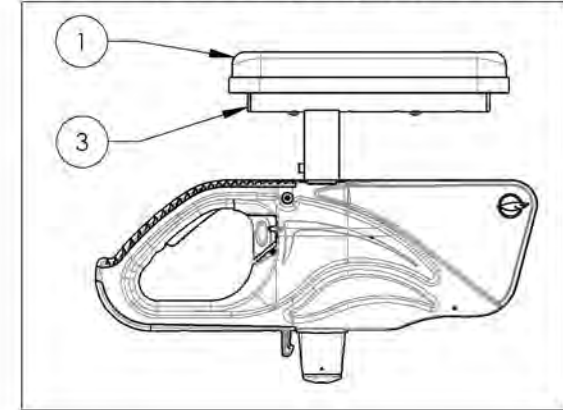
MAKE SURE TO HAVE YOUR SERIAL NUMBER NEARBY WHEN ORDERING PARTS FOR YOUR MOTION COMPOSITES WHEELCHAIR

**9001305\_9001306**  
**Armrest - Flip Back & T Type Left, 10-14 in**

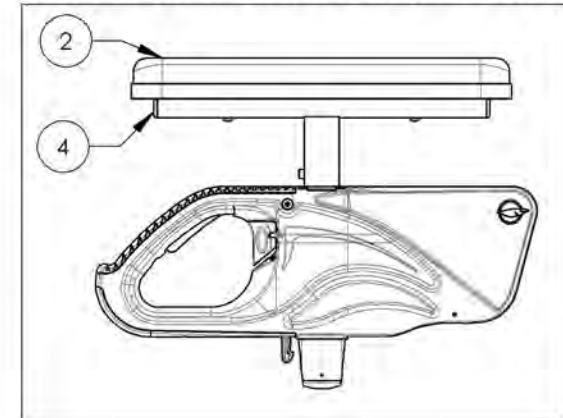


ITEM NO.	PARTNO	DESCRIPTION	9001305 /QTY.	9001306 /QTY.
1	33038	ARMREST DESK PAD	1	-
2	33039	ARMREST FULL LENGTH PAD	-	1
3	33580	V2 ARMREST STRUCTURE 10-14" FOR DESK LENGTH - ASSEMBLY	1	-
4	33560	V2 ARMREST STRUCTURE 10-14" FOR FULL LENGTH - ASSEMBLY	-	1
5	33554	V2 ARMREST - MAIN BODY	1	1
6	99013	SCREW PHILLIPS PAN HD #10_32 X 1_1_2 + BLUE THREADLOCKER	2	2

9001305  
 Armrest - Flip Back & T Type Left, 10-14 in, Desk Length



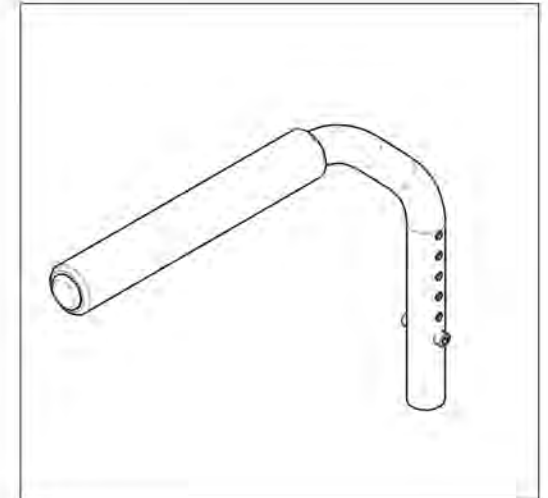
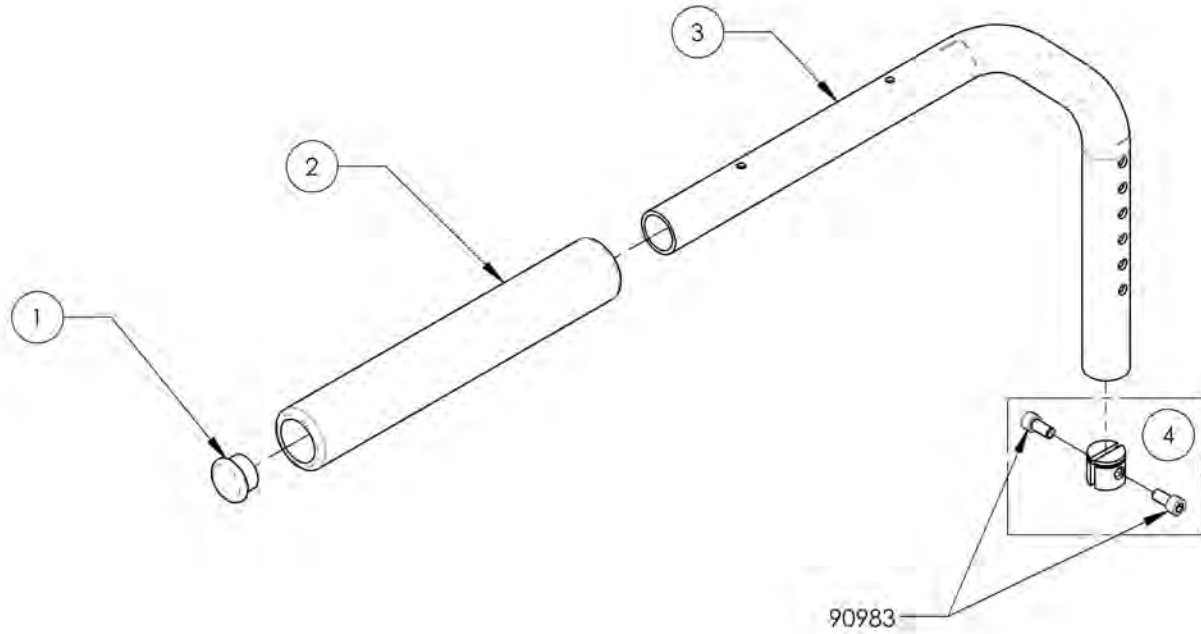
9001306  
 Armrest - Flip Back & T Type Left, 10-14 in, Full Length



MAKE SURE TO HAVE YOUR SERIAL NUMBER NEARBY WHEN ORDERING PARTS FOR YOUR MOTION COMPOSITES WHEELCHAIR

**9003652  
Armrest - Swing Away, Right, Tubular, Fold Down Locking Backrest**

ITEM NO.	PARTNO	DESCRIPTION	9003652 /QTY.
1	99702	CAP 1 IN ALU	1
2	33049	SWING AWAY TUBULAR FOAM GRIP	1
3	33155	APEX SWING AWAY ARMREST RIGHT	1
4	33552	SPLIT NUT (M)	1

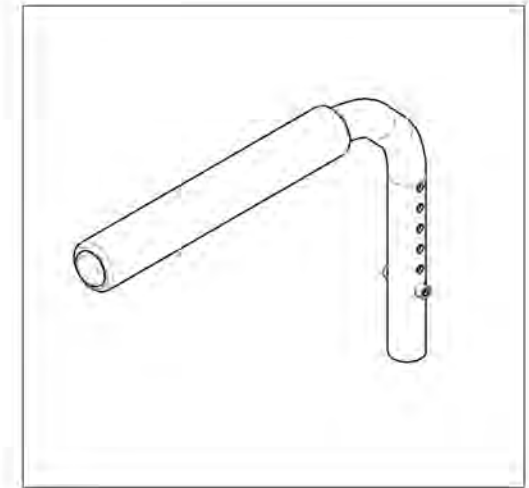
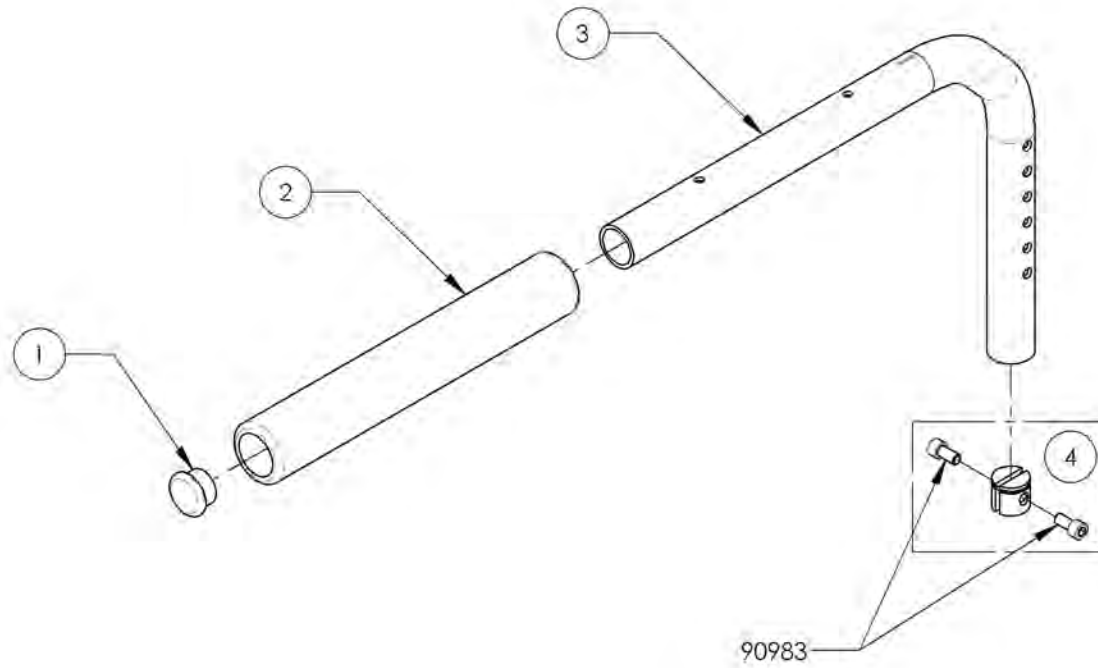


MAKE SURE TO HAVE YOUR SERIAL NUMBER  
NEARBY WHEN ORDERING PARTS FOR YOUR  
MOTION COMPOSITES WHEELCHAIR



**9003653  
Armrest - Swing Away, Left, Tubular, Fold Down Locking Backrest**

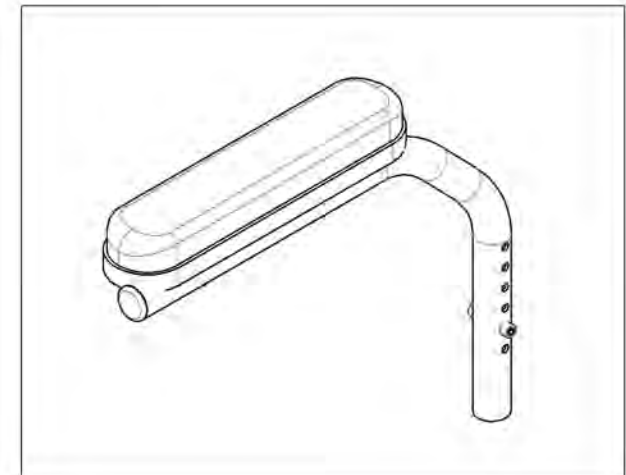
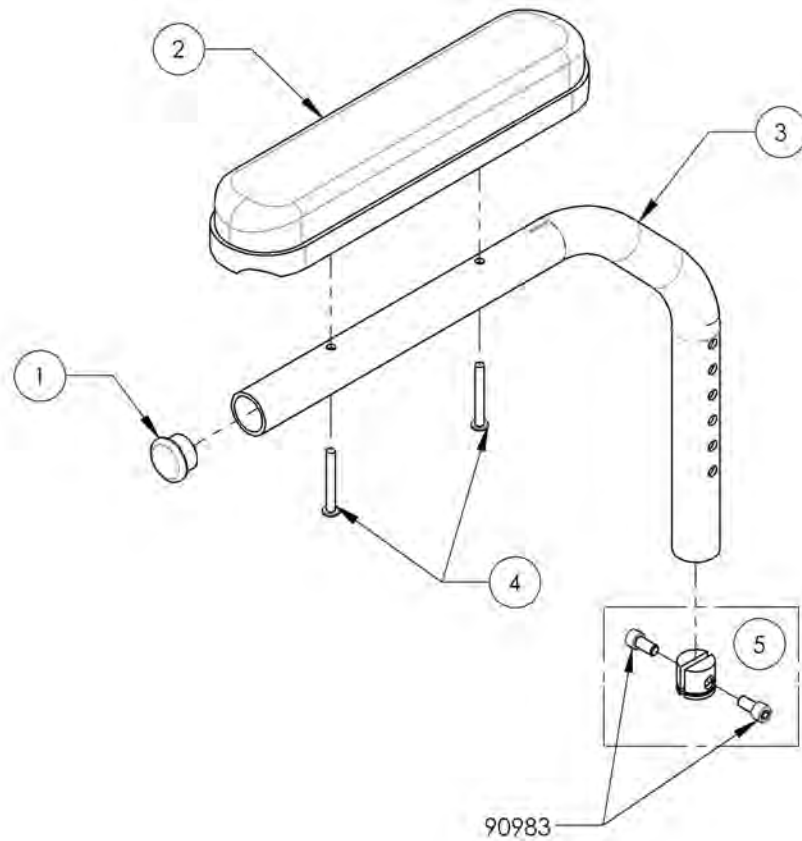
ITEM NO.	PARTNO	DESCRIPTION	9003653 /QTY.
1	99702	CAP 1 IN ALLU	1
2	33049	SWING AWAY TUBULAR FOAM GRIP	1
3	33156	APEX SWING AWAY ARMREST LEFT	1
4	33552	SPLIT NUT (M)	1



MAKE SURE TO HAVE YOUR SERIAL NUMBER  
NEARBY WHEN ORDERING PARTS FOR YOUR  
MOTION COMPOSITES WHEELCHAIR

**9003654  
Armrest - Swing Away, Right, Desk Length, Fold Down Locking Backrest**

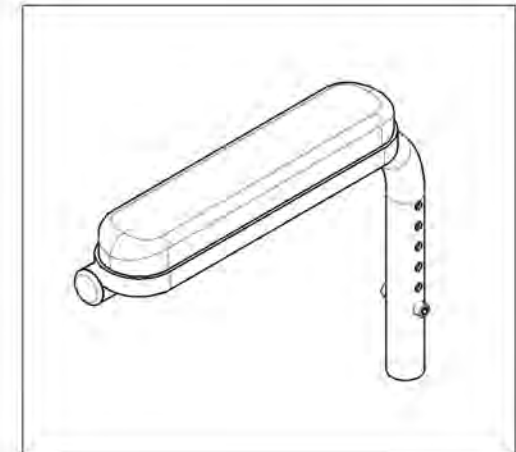
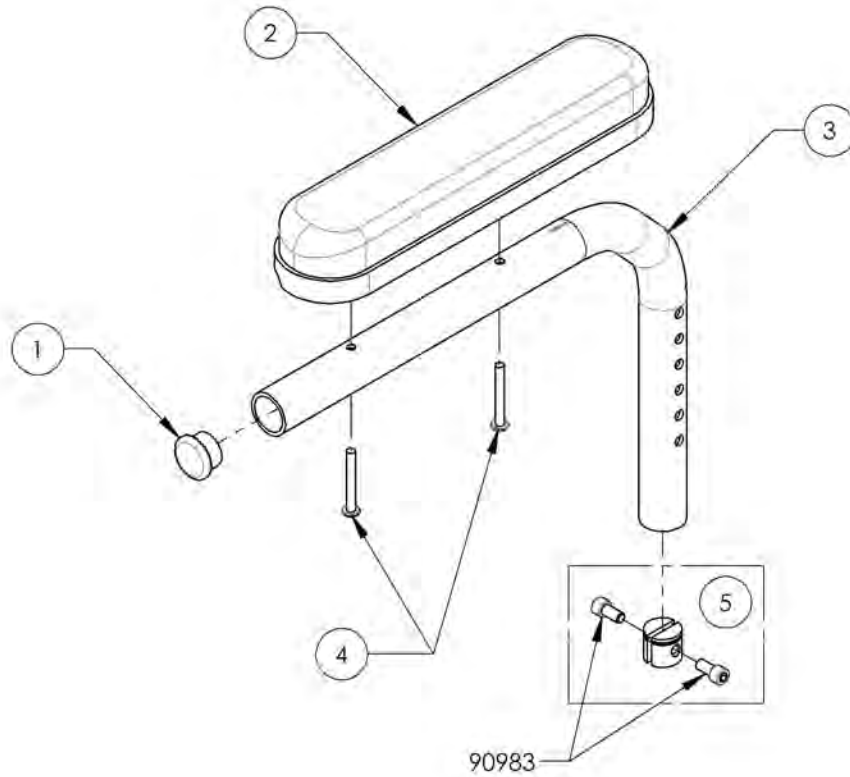
ITEM NO.	PARTNO	DESCRIPTION	9003654 /QTY.
1	99702	CAP 1 IN ALU	1
2	33038	ARMREST DESK PAD	1
3	33155	APEX SWING AWAY ARMREST RIGHT	1
4	99013	SCREW PHILLIPS PAN HD #10_32 X 1_1_2 + BLUE THREADLOCKER	2
5	33552	SPLIT NUT (M)	1



MAKE SURE TO HAVE YOUR SERIAL NUMBER  
NEARBY WHEN ORDERING PARTS FOR YOUR  
MOTION COMPOSITES WHEELCHAIR

**9003655**  
**Armrest - Swing Away, Left, Desk Length, Fold Down Locking Backrest**

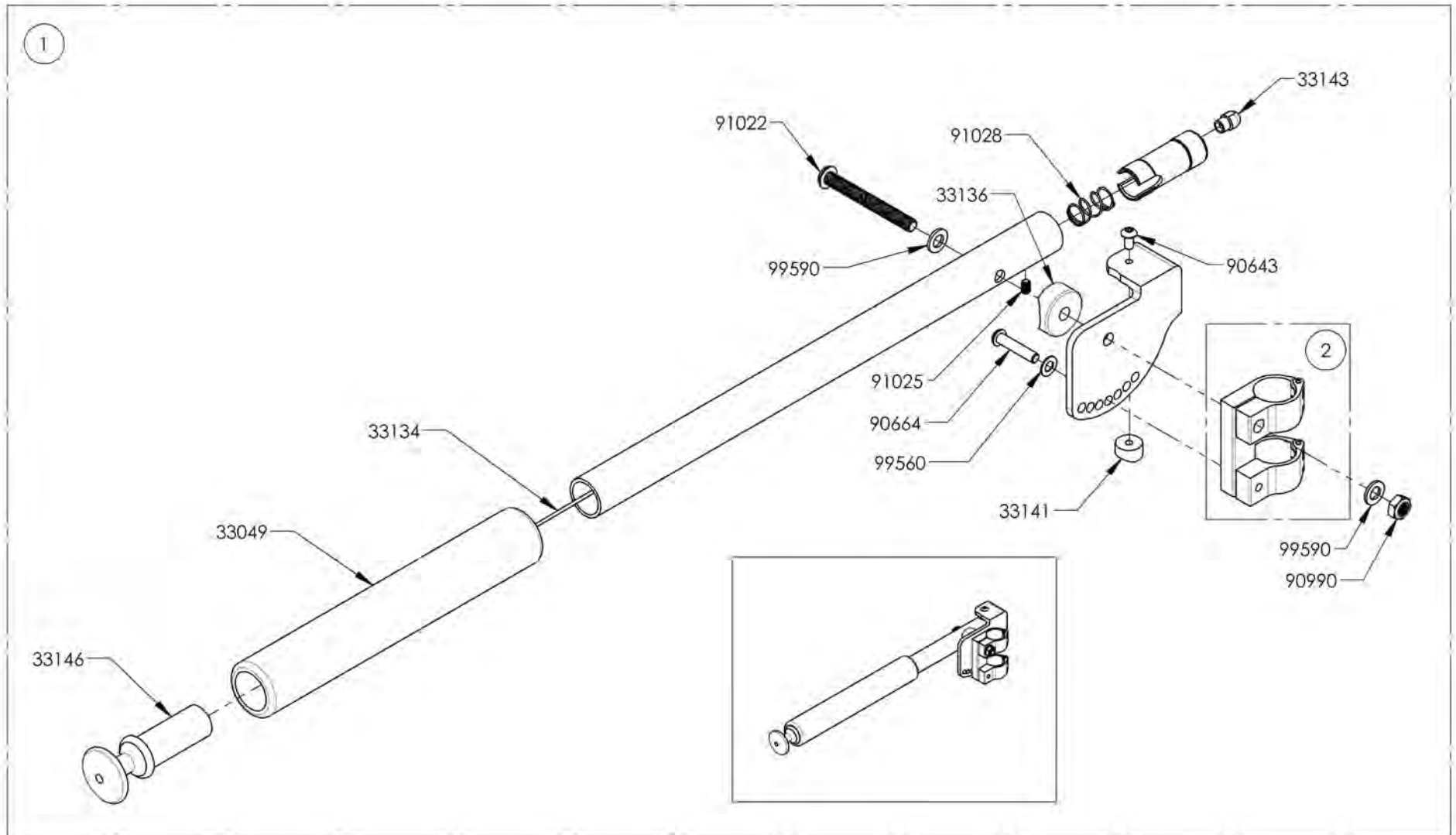
ITEM NO.	PARTNO	DESCRIPTION	9003655 /QTY
1	99702	CAP 1 IN ALU	1
2	33038	ARMREST DESK PAD	1
3	33156	APEX SWING AWAY ARMREST LEFT	1
4	99013	SCREW PHILLIPS PAN HD #10_32 X 1_2 +BLUE THREADLOCKER	2
5	33552	SPLIT NUT (M)	1



MAKE SURE TO HAVE YOUR SERIAL NUMBER  
 NEARBY WHEN ORDERING PARTS FOR YOUR  
 MOTION COMPOSITES WHEELCHAIR

**9001316**  
**Locking Armrest - Flip Up, Right**

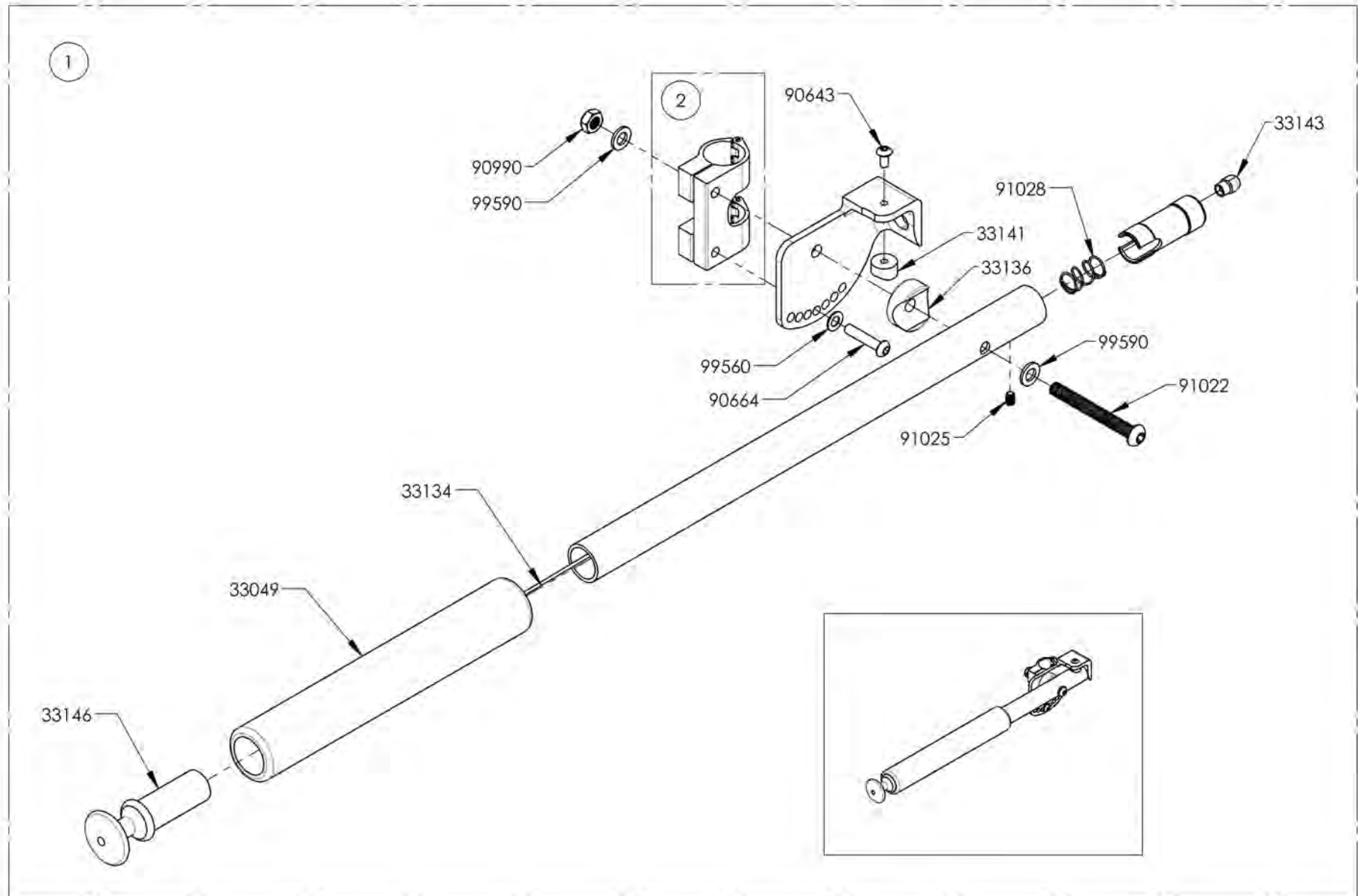
ITEM NO.	PARTNO	DESCRIPTION	9001316 /QTY.	REPLACEMENT PARTS/QTY.
1	33503	FLIP UP I ARMREST - RIGHT ASSEMBLY (M)	1	-
2	33706	FLIP UP I ARMREST CLAMP - ASSEMBLY (M) RIGHT	-	1



MAKE SURE TO HAVE YOUR SERIAL NUMBER  
 NEARBY WHEN ORDERING PARTS FOR YOUR  
 MOTION COMPOSITES WHEELCHAIR

**9001317**  
**Locking Armrest - Flip Up, Left**

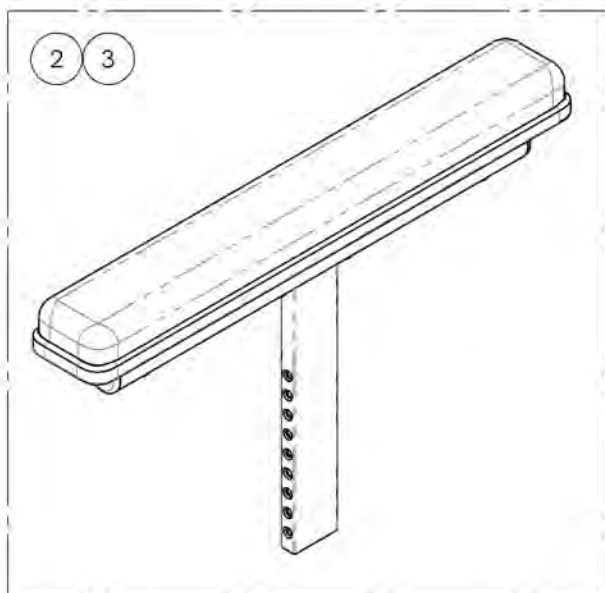
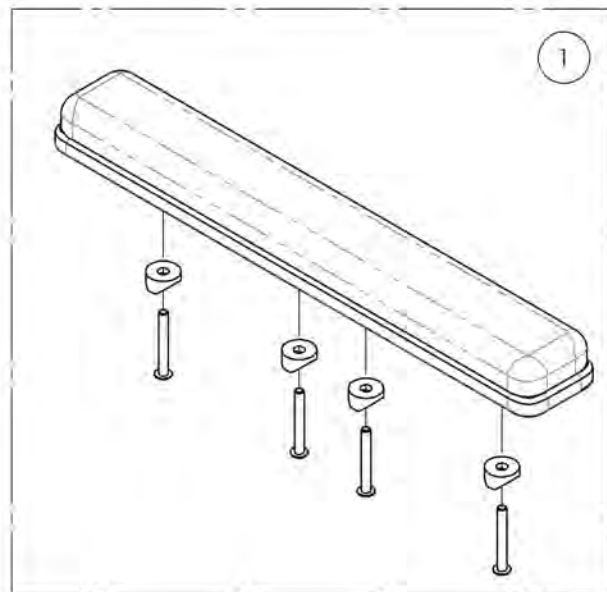
ITEM NO.	PARTNO	DESCRIPTION	9001317 /QTY.	REPLACEMENT PARTS/QTY.
1	33504	FLIP UP I ARMREST - LEFT ASSEMBLY (M)	1	-
2	33707	FLIP UP I ARMREST CLAMP - ASSEMBLY (M) LEFT	-	1



MAKE SURE TO HAVE YOUR SERIAL NUMBER  
 NEARBY WHEN ORDERING PARTS FOR YOUR  
 MOTION COMPOSITES WHEELCHAIR

**Armrest Catalogue**  
**Armrest - Gel Armrest Pad**

ITEM NO.	PARTNO	DESCRIPTION	QTY
1	9002932	Armrest - Gel Armrest Pad, Full Length	1
2	9002933	Armrest - V2 Armrest Structure, 8-12 in, Gel Pad, Full Length, Right	1
3	9002935	Armrest - V2 Armrest Structure, 8-12 in, Gel Pad, Full Length, Left	1
4	9002934	Armrest - V2 Armrest Structure, 10-14 in, Gel Pad, Full Length, Right	1
5	9002936	Armrest - V2 Armrest Structure, 10-14 in, Gel Pad, Full Length, Left	1

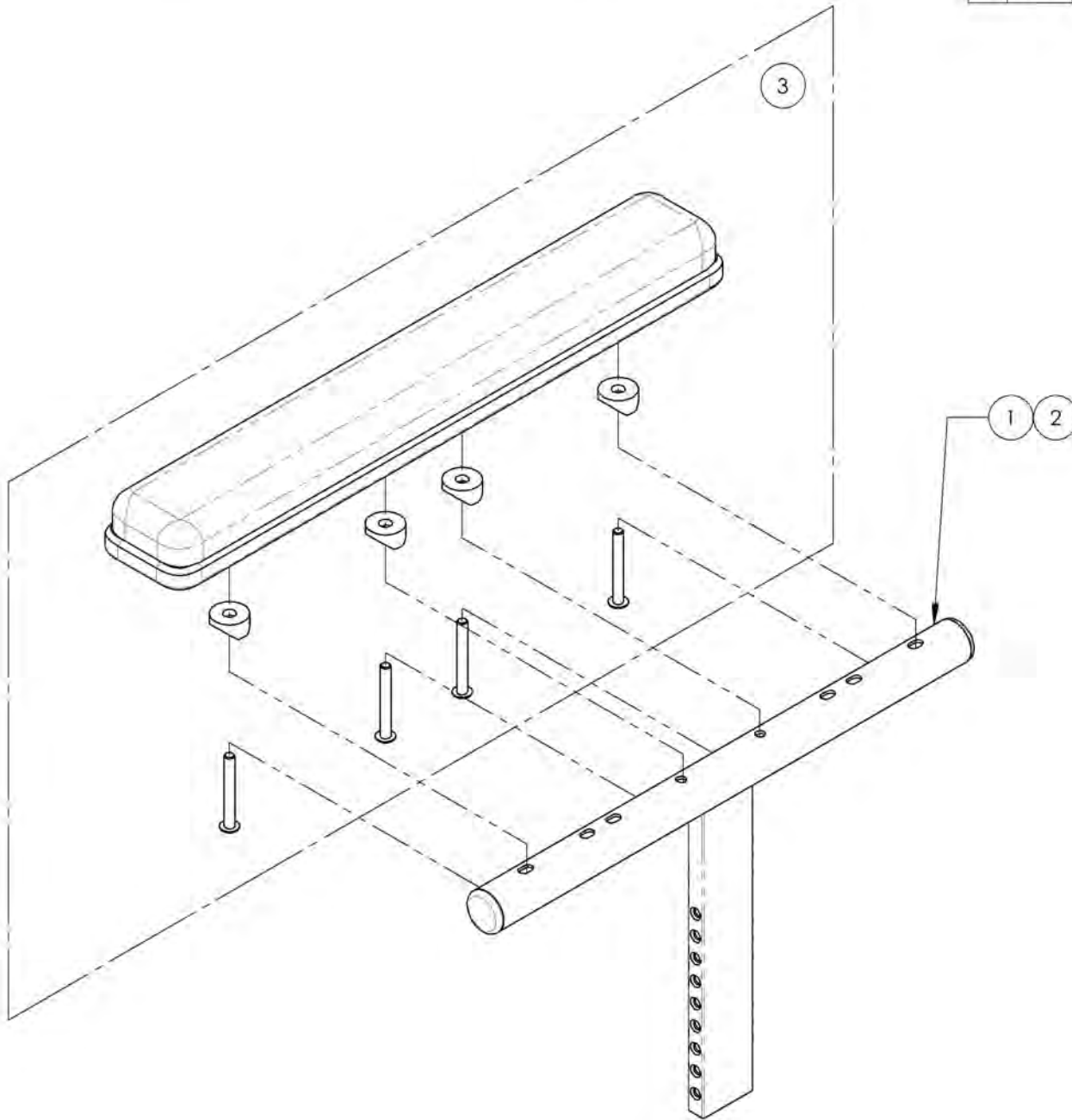


MAKE SURE TO HAVE YOUR SERIAL NUMBER  
 NEARBY WHEN ORDERING PARTS FOR YOUR  
 MOTION COMPOSITES WHEELCHAIR

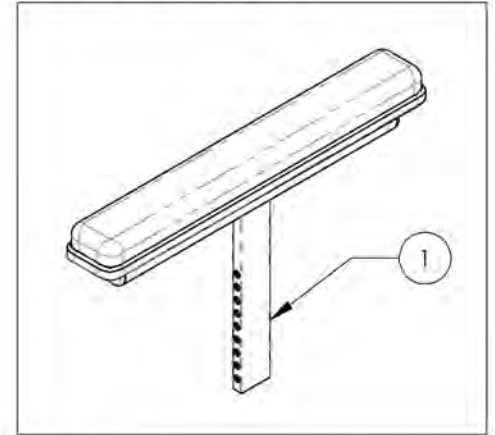
**9002933\_9002934**

**Armrest - V2 Armrest Structure, Gel Pad, Full Length, Right**

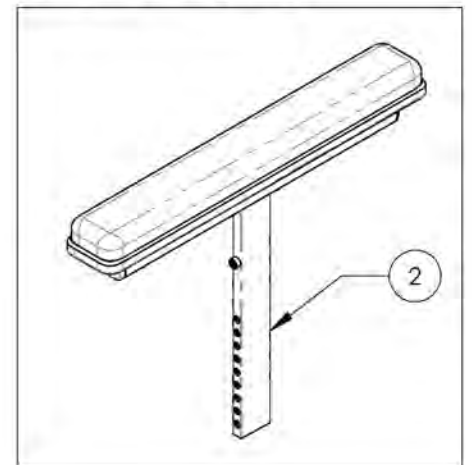
ITEM NO.	PARTNO	DESCRIPTION	9002933 /QTY.	9002934 /QTY.
1	33559	V2 ARMREST STRUCTURE 8-12" FOR FULL LENGTH - ASSEMBLY	1	-
2	33560	V2 ARMREST STRUCTURE 10-14" FOR FULL LENGTH - ASSEMBLY	-	1
3	33077	Ovation GEL ARMREST PAD 2x14in, FULL LENGTH	1	1



9002933  
Armrest - V2 Armrest Structure, 8-12 in,  
Gel Pad, Full Length, Right



9002934  
Armrest - V2 Armrest Structure, 10-14 in,  
Gel Pad, Full Length, Right

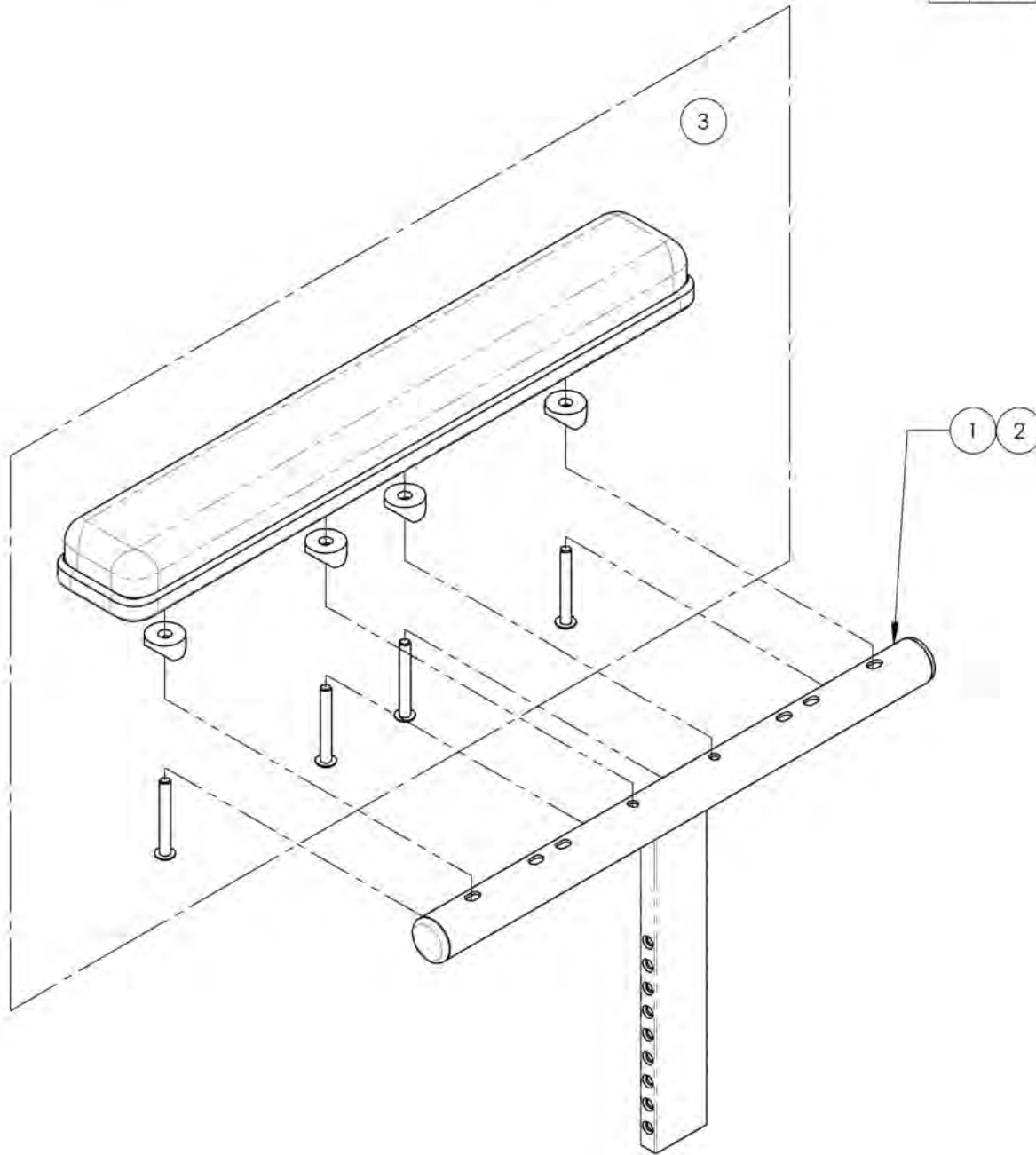


MAKE SURE TO HAVE YOUR SERIAL NUMBER  
NEARBY WHEN ORDERING PARTS FOR YOUR  
MOTION COMPOSITES WHEELCHAIR

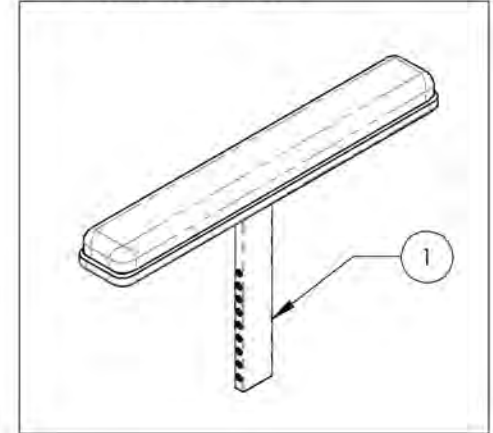
**9002935\_9002936**

**Armrest - V2 Armrest Structure, Gel Pad, Full Length, Left**

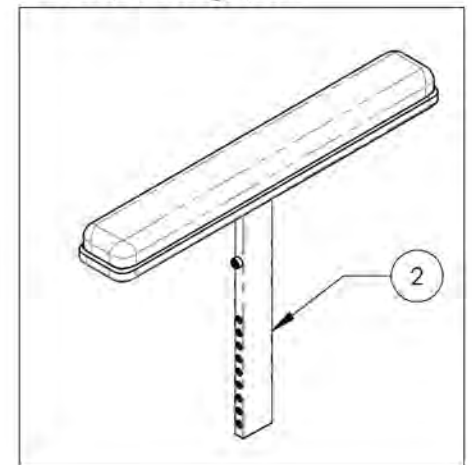
ITEM NO.	PARTNO	DESCRIPTION	9002935 /QTY.	9002936 /QTY.
1	33559	V2 ARMREST STRUCTURE 8-12" FOR FULL LENGTH - ASSEMBLY	1	-
2	33560	V2 ARMREST STRUCTURE 10-14" FOR FULL LENGTH - ASSEMBLY	-	1
3	33077	OVATION GEL ARMREST PAD 2x1.4in, FULL LENGTH	1	1



9002935  
Armrest - V2 Armrest Structure, 8-12 in,  
Gel Pad, Full Length, Left



9002936  
Armrest - V2 Armrest Structure, 10-14 in,  
Gel Pad, Full Length, Left

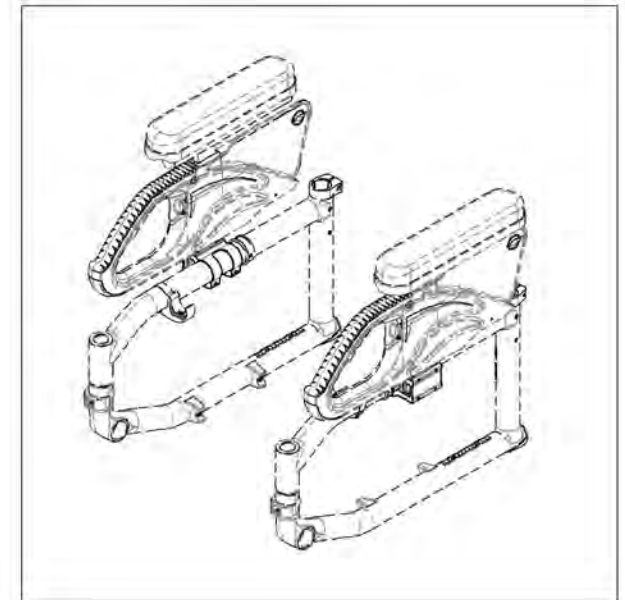
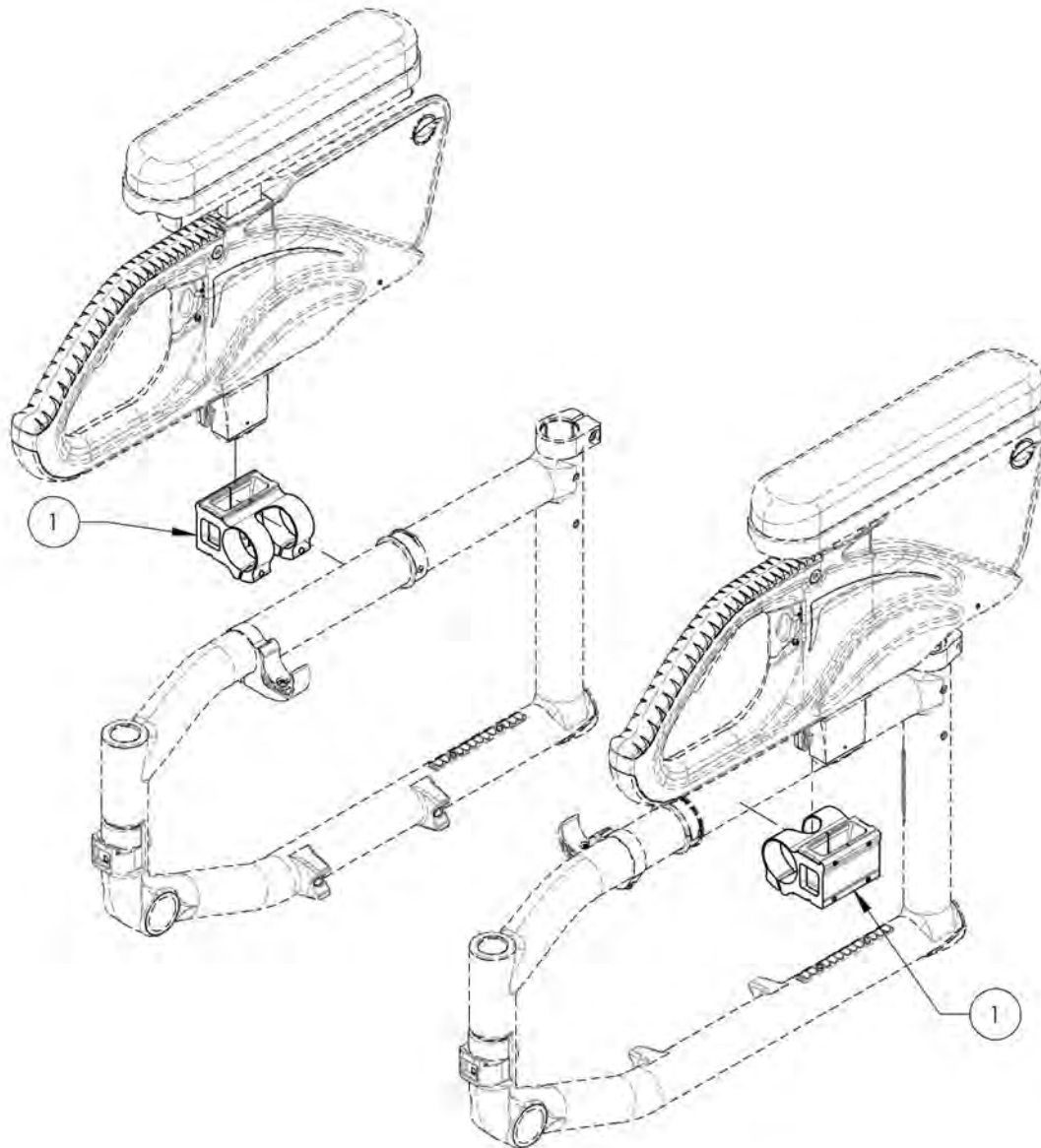


MAKE SURE TO HAVE YOUR SERIAL NUMBER  
NEARBY WHEN ORDERING PARTS FOR YOUR  
MOTION COMPOSITES WHEELCHAIR



**Armrest Catalogue**  
**Armrests - T Type Receiver**

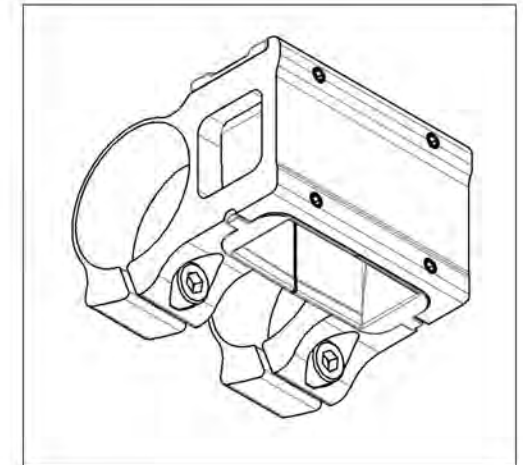
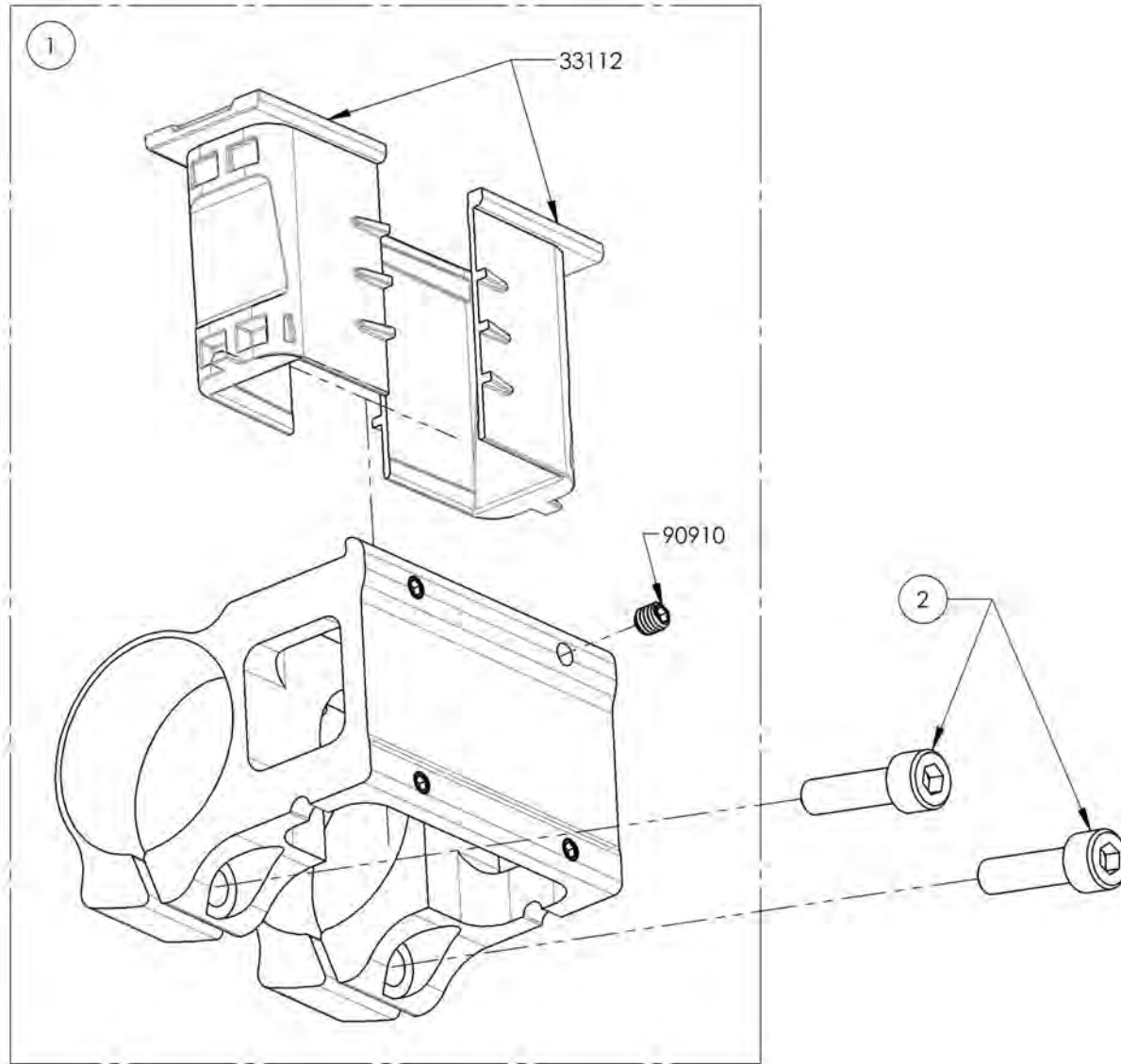
ITEM NO.	PARTNO	DESCRIPTION	QTY
1	9001312	Armrest - Receiver, Flip Back & T Type	2



MAKE SURE TO HAVE YOUR SERIAL NUMBER  
 NEARBY WHEN ORDERING PARTS FOR YOUR  
 MOTION COMPOSITES WHEELCHAIR

**9001312**  
**Armrest - Receiver, Flip Back & T Type**

ITEM NO.	PARTNO	DESCRIPTION	9001312 /QTY.
1	33555	V2 ARMREST RECEIVER - ASSEMBLY	1
2	90748	SOCKET CAP SCREW M5X0.8 X 18mm LONG, FULLY THREADED + BLUE TREADLOCKER - BLACK ZINC	2

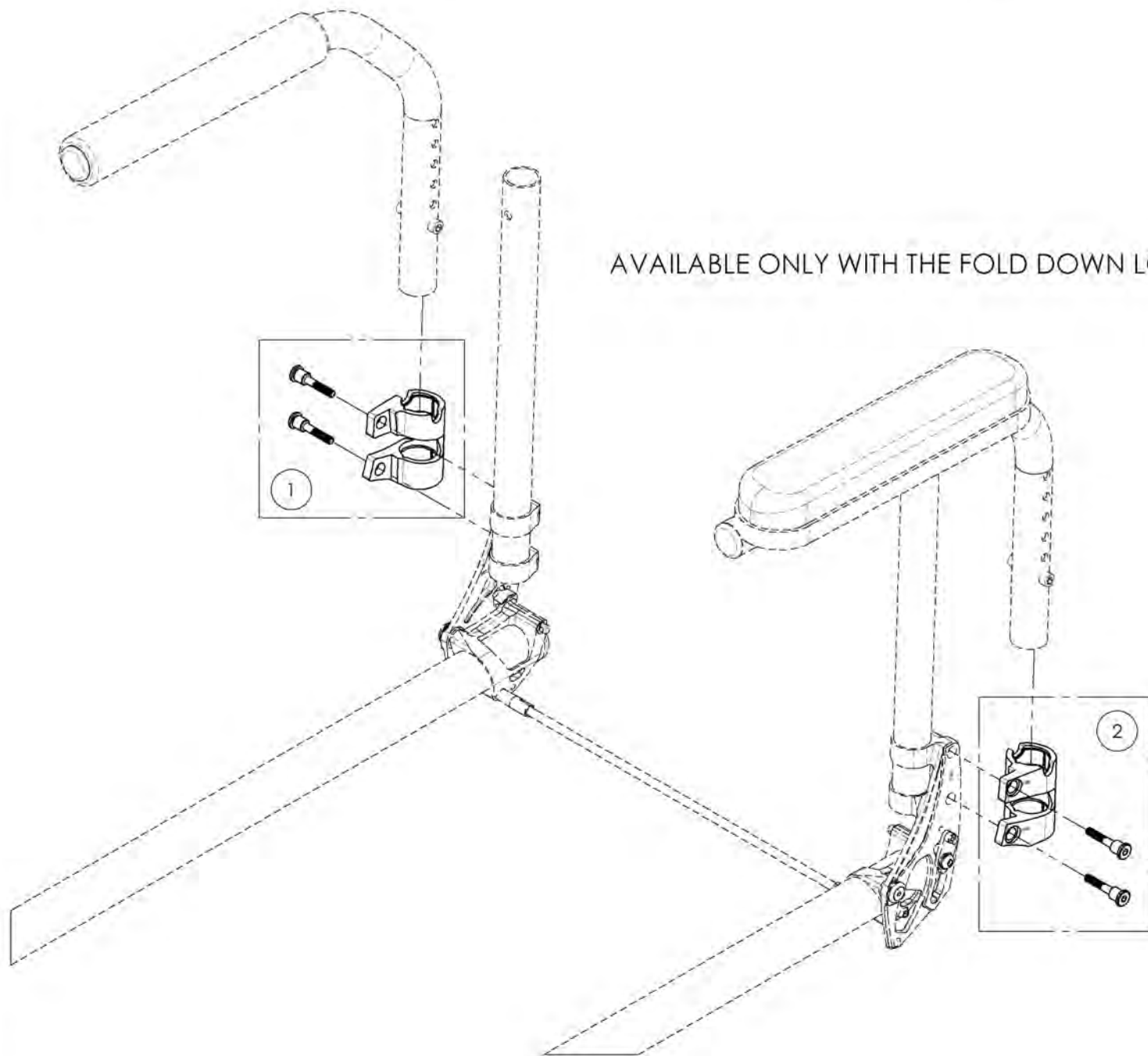


MAKE SURE TO HAVE YOUR SERIAL NUMBER  
 NEARBY WHEN ORDERING PARTS FOR YOUR  
 MOTION COMPOSITES WHEELCHAIR

**Armrest Catalogue**  
**Swing Away Receiver**

ITEM NO.	PARTNO	DESCRIPTION	QTY
1	9003656	Armrest - Receiver, Swing Away, Right, Fold Down Locking Backrest	1
2	9003657	Armrest - Receiver, Swing Away, Left, Fold Down Locking Backrest	1

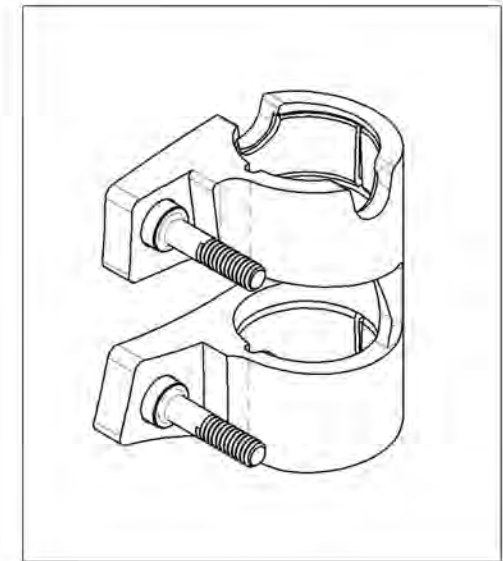
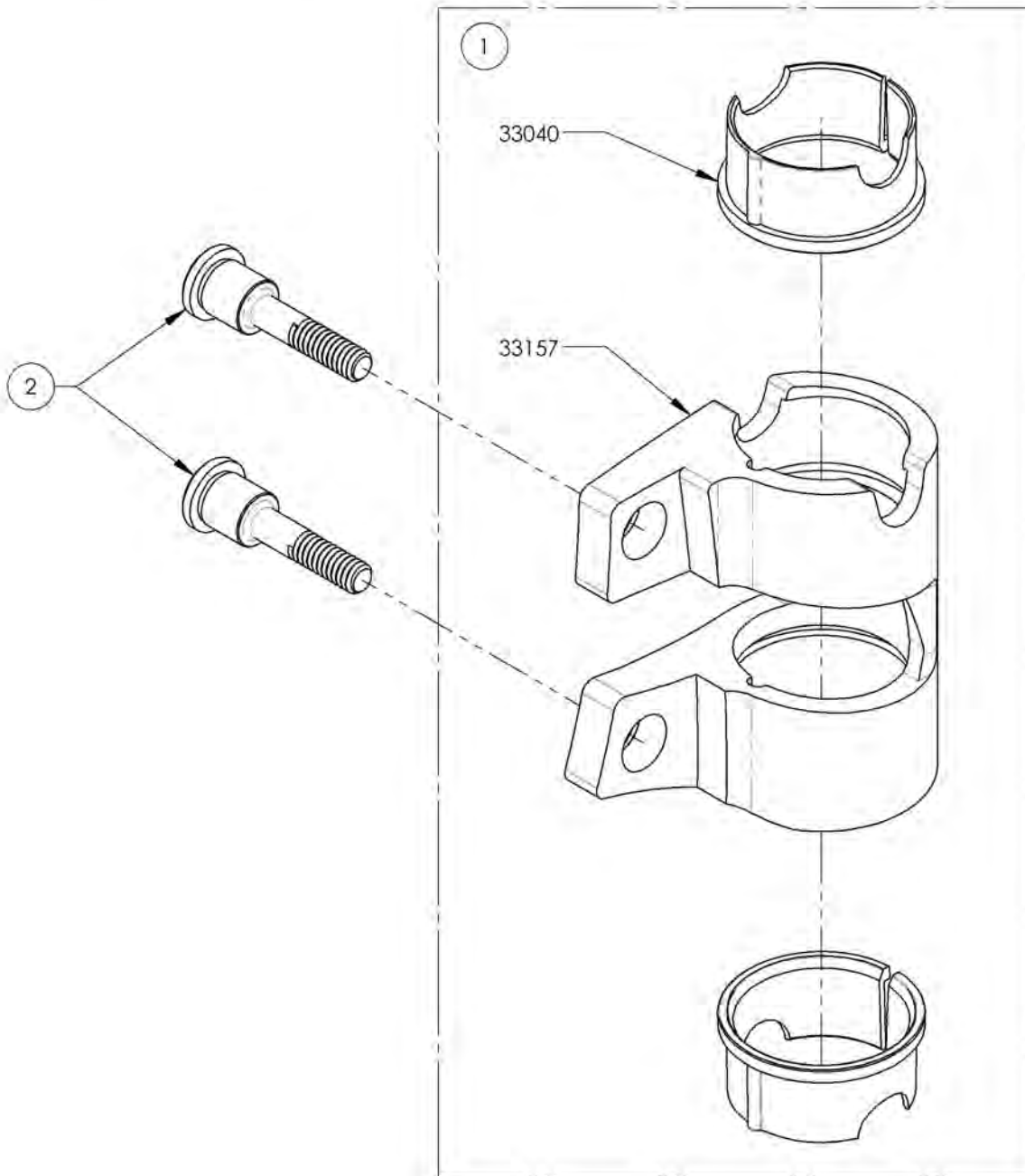
AVAILABLE ONLY WITH THE FOLD DOWN LOCKING BACKREST



MAKE SURE TO HAVE YOUR SERIAL NUMBER  
 NEARBY WHEN ORDERING PARTS FOR YOUR  
 MOTION COMPOSITES WHEELCHAIR

**9003656**  
**Armrest - Receiver, Swing Away, Right, Fold Down Locking Backrest**

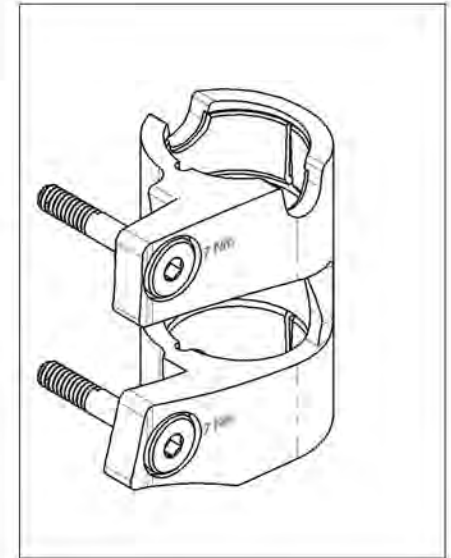
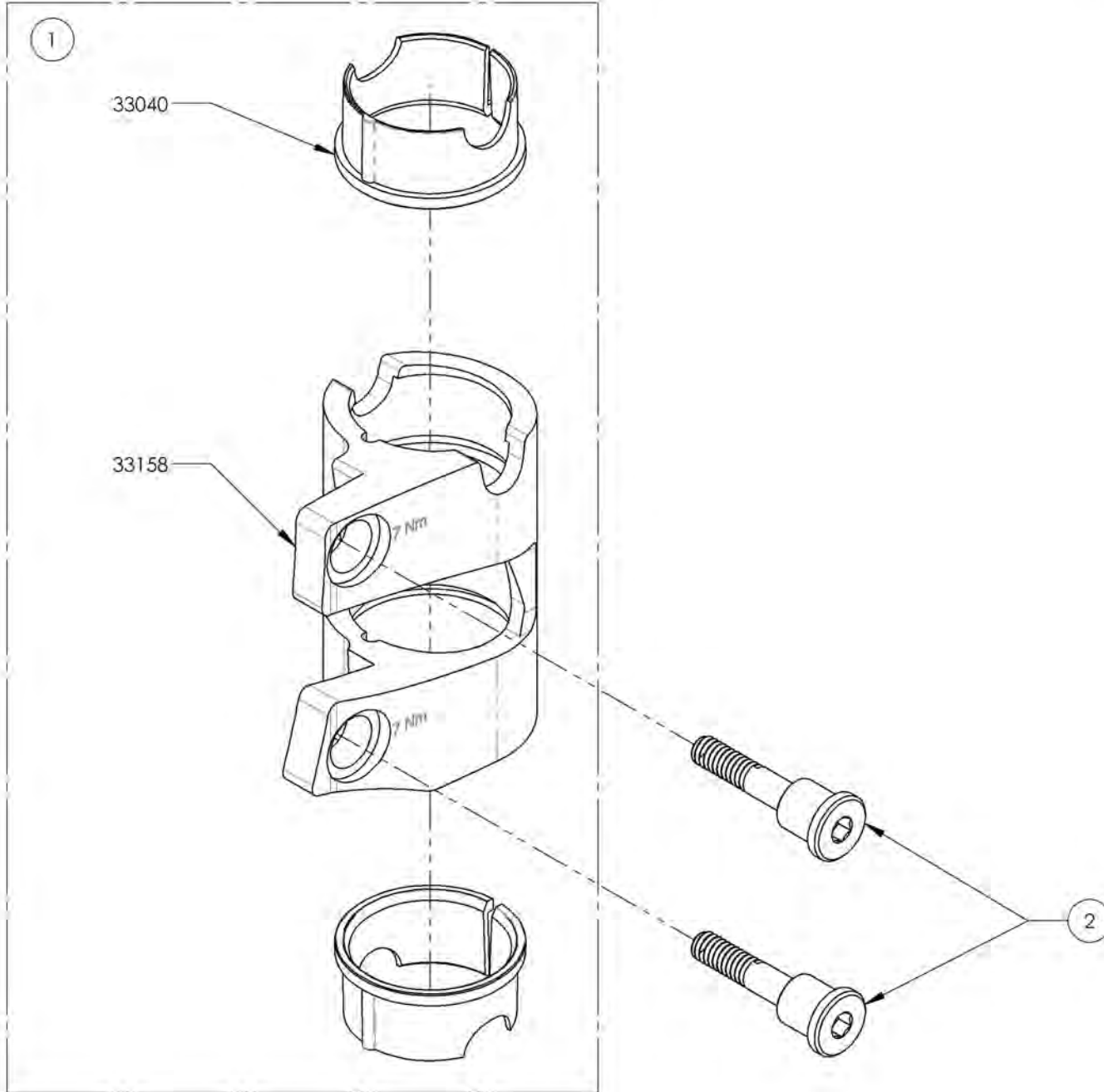
ITEM NO.	PARTNO	DESCRIPTION	9003656 /QTY.
1	33592	SWING AWAY ARMREST RECEIVER, RIGHT - ASSEMBLY	1
2	91045	.SHOULDER SCREW M5X0.8 X 30mm LONG + BLUE LOCTITE	2



MAKE SURE TO HAVE YOUR SERIAL NUMBER  
NEARBY WHEN ORDERING PARTS FOR YOUR  
MOTION COMPOSITES WHEELCHAIR

**9003657**  
**Armrest - Receiver, Swing Away, Left, Fold Down Locking Backrest**

ITEM NO.	PARTNO	DESCRIPTION	9003657 /QTY.
1	33593	SWING AWAY ARMREST RECEIVER, LEFT - ASSEMBLY	1
2	91045	SHOULDER SCREW M5X0.8 X 30mm LONG + BLUE LOCTITE	2



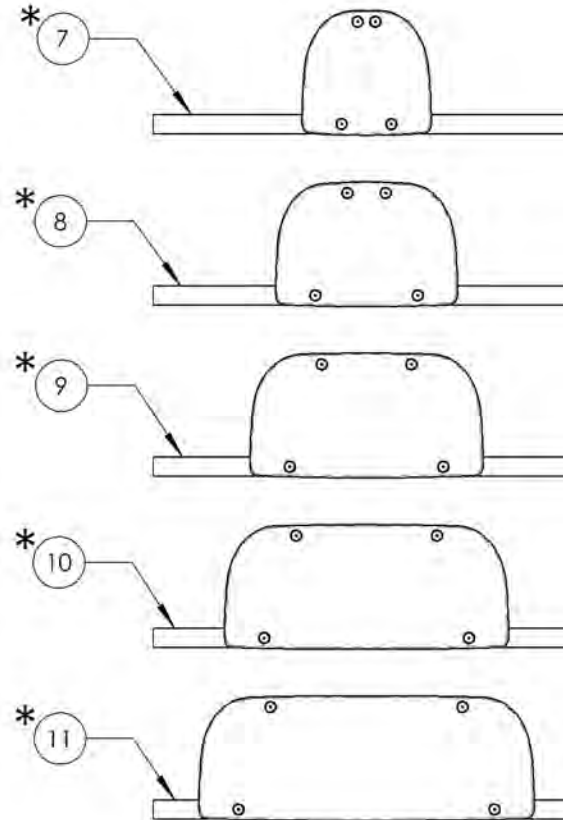
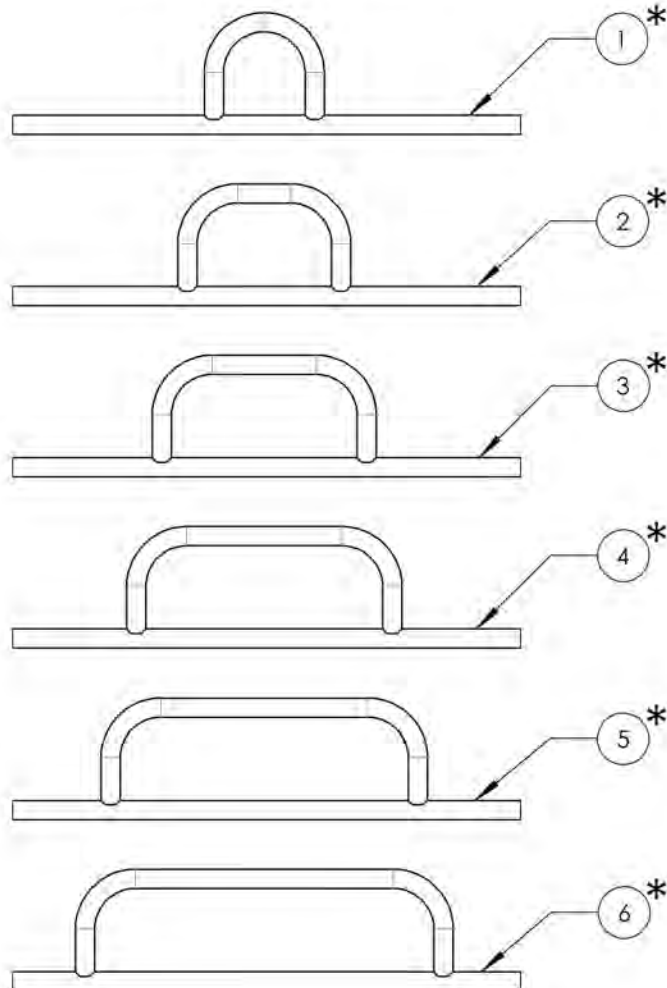
MAKE SURE TO HAVE YOUR SERIAL NUMBER NEARBY WHEN ORDERING PARTS FOR YOUR MOTION COMPOSITES WHEELCHAIR

**Footrests Catalogue**  
**Tubular Open Loop Footplates**

\*NOTE: PLEASE CONTACT OUR CUSTOMER SERVICE BEFORE TO ORDER ONE OF THE TUBULAR OPEN LOOP FOOTPLATES (#9003375 to #9003385)

COMPONENT MUST BE MACHINED BY MOTION COMPOSITES BASED ON WHEELCHAIR SPECS  
**(PLEASE PROVIDE WHEELCHAIR SERIAL NUMBER)**

ITEM NO.	PARTNO	DESCRIPTION	QTY
1*	9003375	Footplate - Aluminium, Tubular Open Loop Structure, 4 x 4.75 in (Specify Wheelchair Serial Number)	1
2*	9003376	Footplate - Aluminium, Tubular Open Loop Structure, 6 x 4.75 in (Specify Wheelchair Serial Number)	1
3*	9003377	Footplate - Aluminium, Tubular Open Loop Structure, 8 x 4.75 in (Specify Wheelchair Serial Number)	1
4*	9003378	Footplate - Aluminium, Tubular Open Loop Structure, 10 x 4.75 in (Specify Wheelchair Serial Number)	1
5*	9003379	Footplate - Aluminium, Tubular Open Loop Structure, 12 x 4.75 in (Specify Wheelchair Serial Number)	1
6*	9003380	Footplate - Aluminium, Tubular Open Loop Structure, 14 x 4.75 in (Specify Wheelchair Serial Number)	1
7*	9003381	Footplate - Aluminium, Tubular Open Loop Structure, With ABS Cover, 4 x 4.75 in (Specify Wheelchair Serial Number)	1
8*	9003382	Footplate - Aluminium, Tubular Open Loop Structure, With ABS Cover, 6 x 4.75 in (Specify Wheelchair Serial Number)	1
9*	9003383	Footplate - Aluminium, Tubular Open Loop Structure, With ABS Cover, 8 x 4.75 in (Specify Wheelchair Serial Number)	1
10*	9003384	Footplate - Aluminium, Tubular Open Loop Structure, With ABS Cover, 10 x 4.75 in (Specify Wheelchair Serial Number)	1
11*	9003385	Footplate - Aluminium, Tubular Open Loop Structure, With ABS Cover, 12 x 4.75 in (Specify Wheelchair Serial Number)	1



MAKE SURE TO HAVE YOUR SERIAL NUMBER NEARBY WHEN ORDERING PARTS FOR YOUR MOTION COMPOSITES WHEELCHAIR

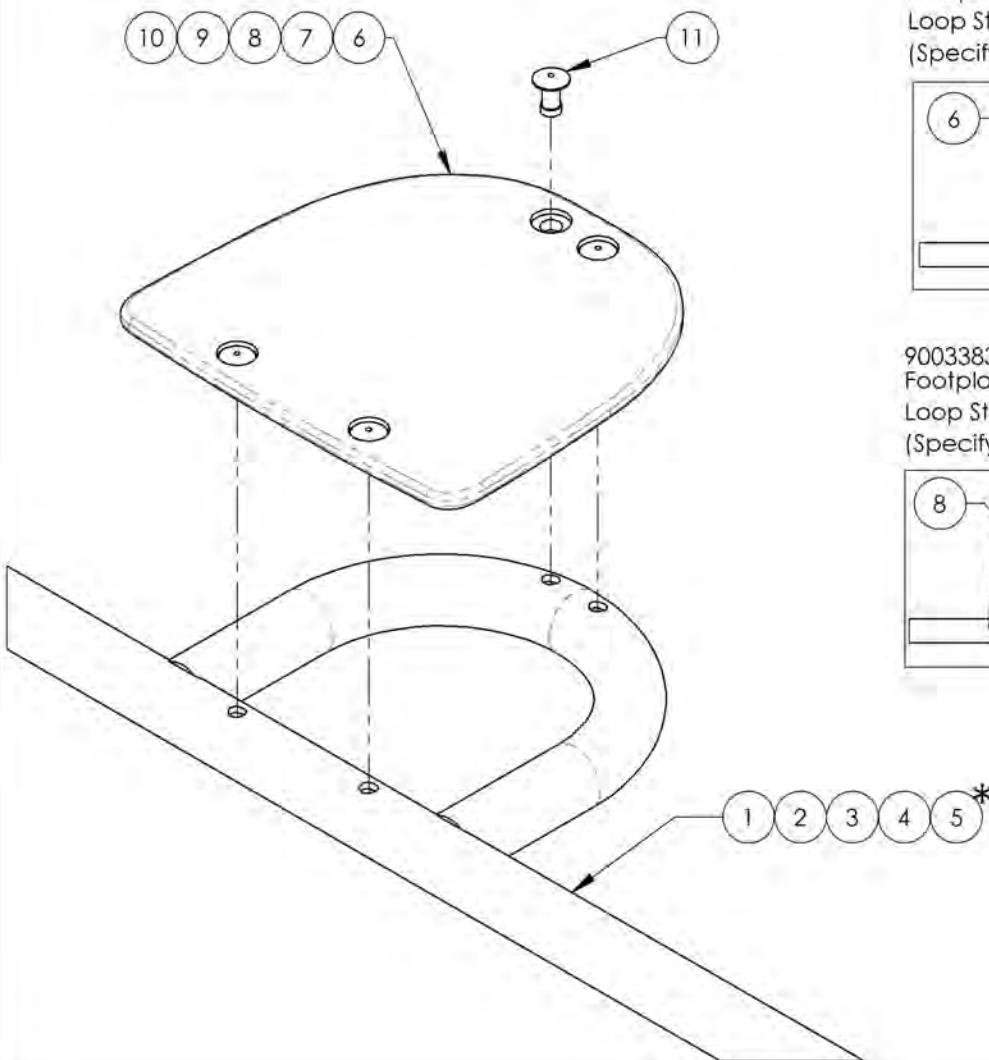
**9003381\_9003385**

**Footplate - Aluminium, Tubular Open Loop Structure, With ABS Cover (Specify Wheelchair Serial Number)**

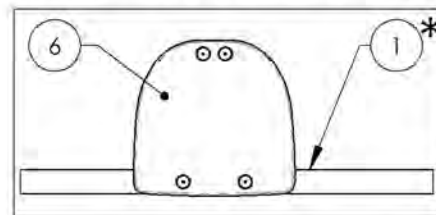
\*NOTE: PLEASE CONTACT OUR CUSTOMER SERVICE BEFORE TO ORDER ONE OF THE TUBULAR OPEN LOOP STRUCTURES (#31255 to #31259)

COMPONENT MUST BE MACHINED BY MOTION COMPOSITES BASED ON WHEELCHAIR SPECS (PLEASE PROVIDE WHEELCHAIR SERIAL NUMBER)

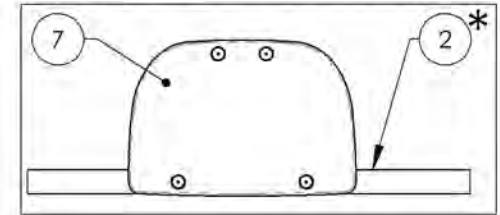
ITEM NO.	PARTNO	DESCRIPTION	9003381 /QTY.	9003382 /QTY.	9003383 /QTY.	9003384 /QTY.	9003385 /QTY.
1*	31255	4IN OPEN LOOP PLATFORM ALUMINIUM STRUCTURE	1	-	-	-	-
2*	31256	6IN OPEN LOOP PLATFORM ALUMINIUM STRUCTURE	-	1	-	-	-
3*	31257	8IN OPEN LOOP PLATFORM ALUMINIUM STRUCTURE	-	-	1	-	-
4*	31258	10IN OPEN LOOP PLATFORM ALUMINIUM STRUCTURE	-	-	-	1	-
5*	31259	12IN OPEN LOOP PLATFORM ALUMINIUM STRUCTURE	-	-	-	-	1
6	31270	COMPOSITES PLATFORM FOOTPLATE 4 in	1	-	-	-	-
7	31271	COMPOSITES PLATFORM FOOTPLATE 6 in	-	1	-	-	-
8	31272	COMPOSITES PLATFORM FOOTPLATE 8 in	-	-	1	-	-
9	31273	COMPOSITES PLATFORM FOOTPLATE 10 in	-	-	-	1	-
10	31274	COMPOSITES PLATFORM FOOTPLATE 12 in	-	-	-	-	1
11	91051	ALUMINIUM BLIND RIVET, BLACK, OD 3_16, LG 0.5 in	4	4	4	4	4



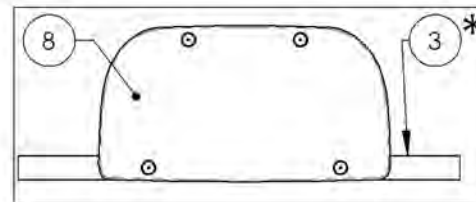
9003381  
Footplate - Aluminium, Tubular Open Loop Structure, With ABS Cover, 4 x 4.75 in (Specify Wheelchair Serial Number)



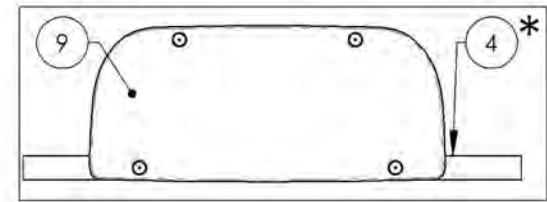
9003382  
Footplate - Aluminium, Tubular Open Loop Structure, With ABS Cover, 6 x 4.75 in (Specify Wheelchair Serial Number)



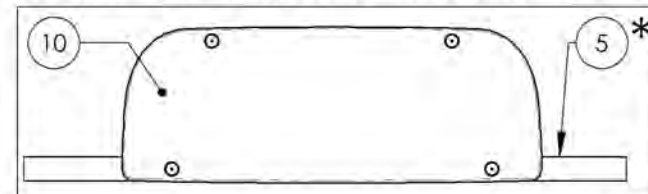
9003383  
Footplate - Aluminium, Tubular Open Loop Structure, With ABS Cover, 8 x 4.75 in (Specify Wheelchair Serial Number)



9003384  
Footplate - Aluminium, Tubular Open Loop Structure, With ABS Cover, 10 x 4.75 in (Specify Wheelchair Serial Number)



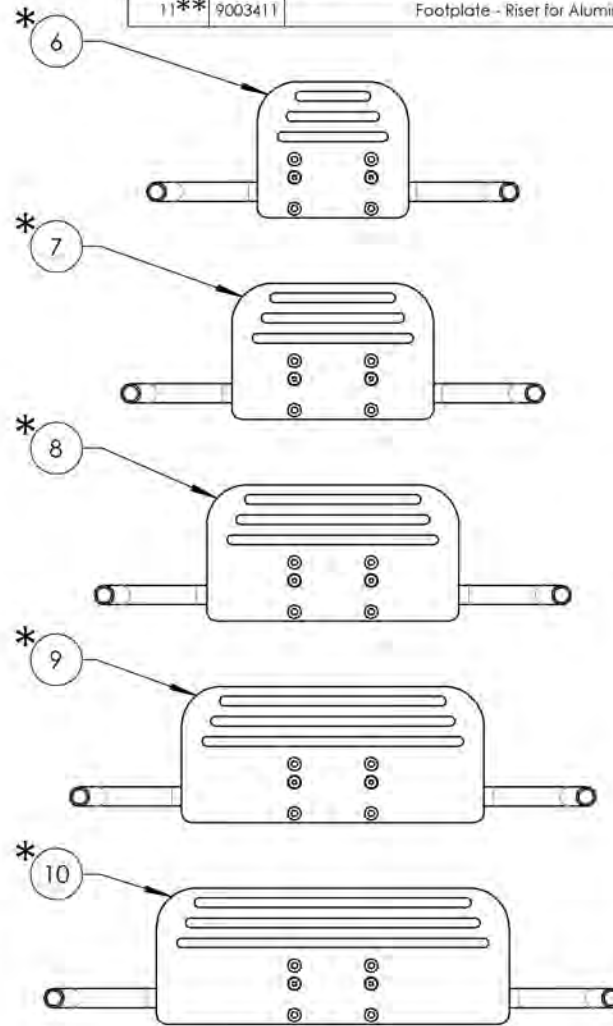
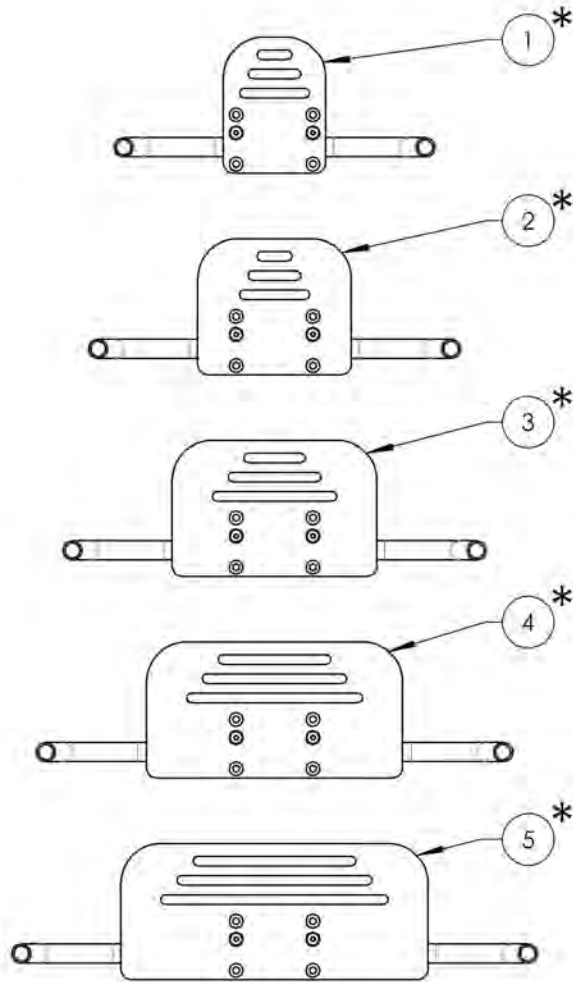
9003385  
Footplate - Aluminium, Tubular Open Loop Structure, With ABS Cover, 12 x 4.75 in (Specify Wheelchair Serial Number)



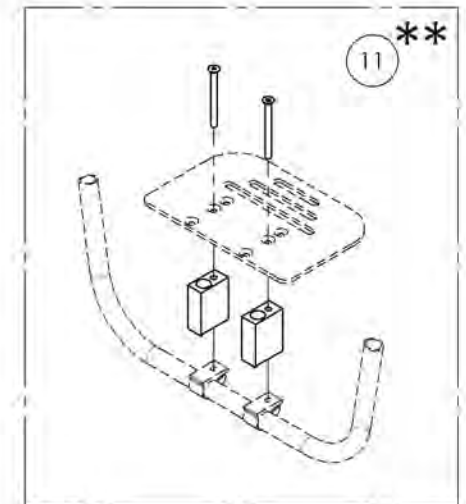
MAKE SURE TO HAVE YOUR SERIAL NUMBER NEARBY WHEN ORDERING PARTS FOR YOUR MOTION COMPOSITES WHEELCHAIR

**Footrests Catalogue**  
**Angle Adjustable Footplates**

ITEM NO.	PARTNO	DESCRIPTION	QTY
1 *	9003387	Footplate - Aluminium, One Piece, With Structure, 4 x 5.5 in (Specify Wheelchair Serial Number)	1
2 *	9003388	Footplate - Aluminium, One Piece, With Structure, 6 x 5.5 in (Specify Wheelchair Serial Number)	1
3 *	9003389	Footplate - Aluminium, One Piece, With Structure, 8 x 5.5 in (Specify Wheelchair Serial Number)	1
4 *	9003390	Footplate - Aluminium, One Piece, With Structure, 10 x 5.5 in (Specify Wheelchair Serial Number)	1
5 *	9003391	Footplate - Aluminium, One Piece, With Structure, 12 x 5.5 in (Specify Wheelchair Serial Number)	1
6 *	9003394	Footplate - Carbon Fiber, One Piece, With Structure, 6 x 5.5 in (Specify Wheelchair Serial Number)	1
7 *	9003395	Footplate - Carbon Fiber, One Piece, With Structure, 8 x 5.5 in (Specify Wheelchair Serial Number)	1
8 *	9003396	Footplate - Carbon Fiber, One Piece, With Structure, 10 x 5.5 in (Specify Wheelchair Serial Number)	1
9 *	9003397	Footplate - Carbon Fiber, One Piece, With Structure, 12 x 5.5 in (Specify Wheelchair Serial Number)	1
10 *	9003398	Footplate - Carbon Fiber, One Piece, With Structure, 14 x 5.5 in (Specify Wheelchair Serial Number)	1
11 **	9003411	Footplate - Riser for Aluminum Angle Adjustable Footplates, 2 in Height	1



**\*\* ONLY AVAILABLE WITH ALUMINUM ANGLE ADJUSTABLE FOOTPLATE**



**\*NOTE: PLEASE CONTACT OUR CUSTOMER SERVICE BEFORE TO ORDER ONE OF THE ANGLE ADJUSTABLE FOOTPLATES (#9003387 to #9003398)**

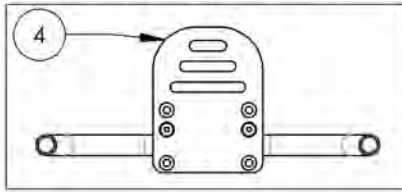
**COMPONENT MUST BE MACHINED BY MOTION COMPOSITES BASED ON WHEELCHAIR SPECS (PLEASE PROVIDE WHEELCHAIR SERIAL NUMBER)**

**MAKE SURE TO HAVE YOUR SERIAL NUMBER NEARBY WHEN ORDERING PARTS FOR YOUR MOTION COMPOSITES WHEELCHAIR**

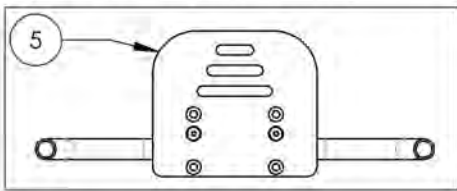


**9003387 9003391**  
**Footplate - Aluminium, One Piece, With Structure**  
**(Specify Wheelchair Serial Number)**

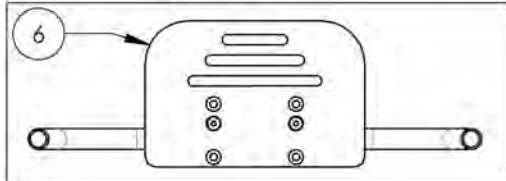
9003387  
 Footplate - Aluminium, One Piece, With Structure, 4 x 5.5 in  
 (Specify Wheelchair Serial Number)



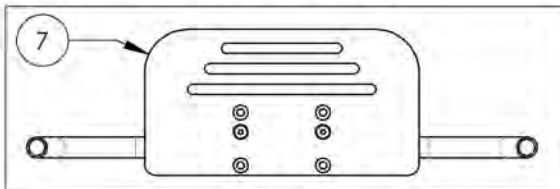
9003388  
 Footplate - Aluminium, One Piece, With Structure, 6 x 5.5 in  
 (Specify Wheelchair Serial Number)



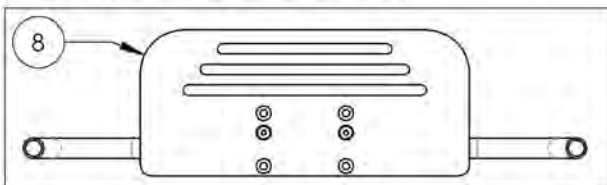
9003389  
 Footplate - Aluminium, One Piece, With Structure, 8 x 5.5 in  
 (Specify Wheelchair Serial Number)



9003390  
 Footplate - Aluminium, One Piece, With Structure, 10 x 5.5 in  
 (Specify Wheelchair Serial Number)



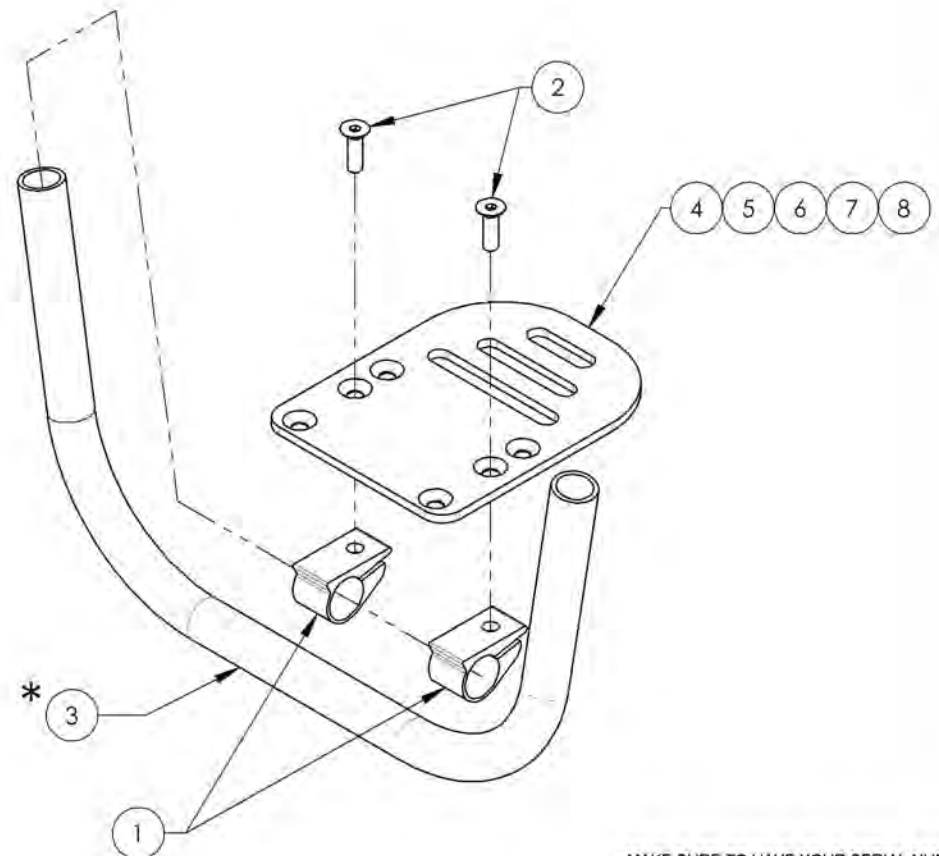
9003391  
 Footplate - Aluminium, One Piece, With Structure, 12 x 5.5 in  
 (Specify Wheelchair Serial Number)



ITEM NO.	PARTNO	DESCRIPTION	9003387 /QTY.	9003388 /QTY.	9003389 /QTY.	9003390 /QTY.	9003391 /QTY.
1	31116	ANGLE ADJUSTABLE FOOTPLATE CLAMP	2	2	2	2	2
2	90868	FLAT HEAD CAP SCREW M6X1 X 20mm LONG, FULLY THREADED + BLUE THREADLOCKER - BLACK ZINC	2	2	2	2	2
3*	31261	ALUMINIUM TUBE FOR STANDARD AND FLIPBACK FOOTPLATE STRUCTURE	1	1	1	1	1
4	31088	PLATFORM ALUMINIUM FOOTPLATE 4 IN	1	-	-	-	-
5	31089	PLATFORM ALUMINIUM FOOTPLATE 6 IN	-	1	-	-	-
6	31090	PLATFORM ALUMINIUM FOOTPLATE 8 IN	-	-	1	-	-
7	31091	PLATFORM ALUMINIUM FOOTPLATE 10 IN	-	-	-	1	-
8	31092	PLATFORM ALUMINIUM FOOTPLATE 12 IN	-	-	-	-	1

**\*NOTE: PLEASE CONTACT OUR CUSTOMER SERVICE BEFORE TO ORDER FOOTPLATE STRUCTURE (#31261)**

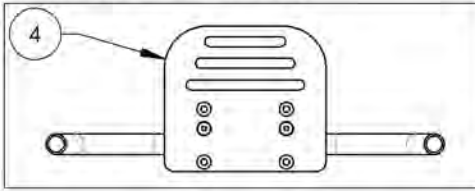
**COMPONENT MUST BE MACHINED BY MOTION COMPOSITES BASED ON WHEELCHAIR SPECS (PLEASE PROVIDE WHEELCHAIR SERIAL NUMBER)**



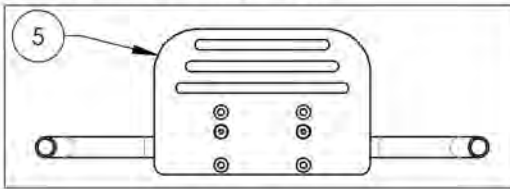
MAKE SURE TO HAVE YOUR SERIAL NUMBER NEARBY WHEN ORDERING PARTS FOR YOUR MOTION COMPOSITES WHEELCHAIR

**9003394\_9003398**  
**Footplate - Carbon Fiber, One Piece, With Structure**  
**(Specify Wheelchair Serial Number)**

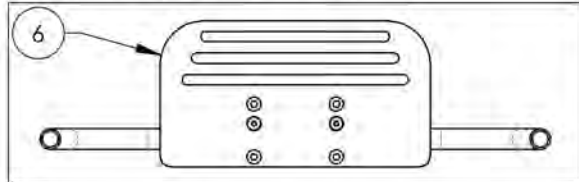
9003394  
 Footplate - Carbon Fiber, One Piece, With Structure, 6 x 5.5 in  
 (Specify Wheelchair Serial Number)



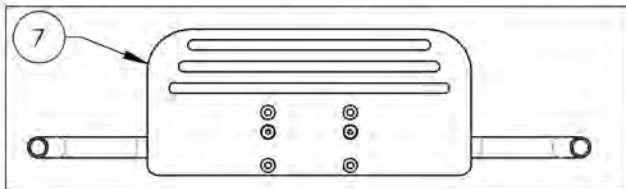
9003395  
 Footplate - Carbon Fiber, One Piece, With Structure, 8 x 5.5 in  
 (Specify Wheelchair Serial Number)



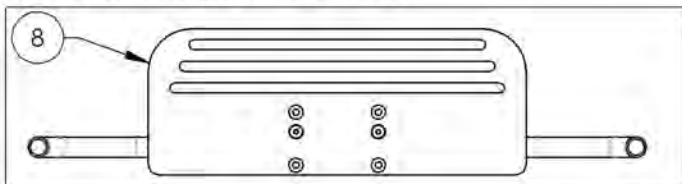
9003396  
 Footplate - Carbon Fiber, One Piece, With Structure, 10 x 5.5 in  
 (Specify Wheelchair Serial Number)



9003397  
 Footplate - Carbon Fiber, One Piece, With Structure, 12 x 5.5 in  
 (Specify Wheelchair Serial Number)



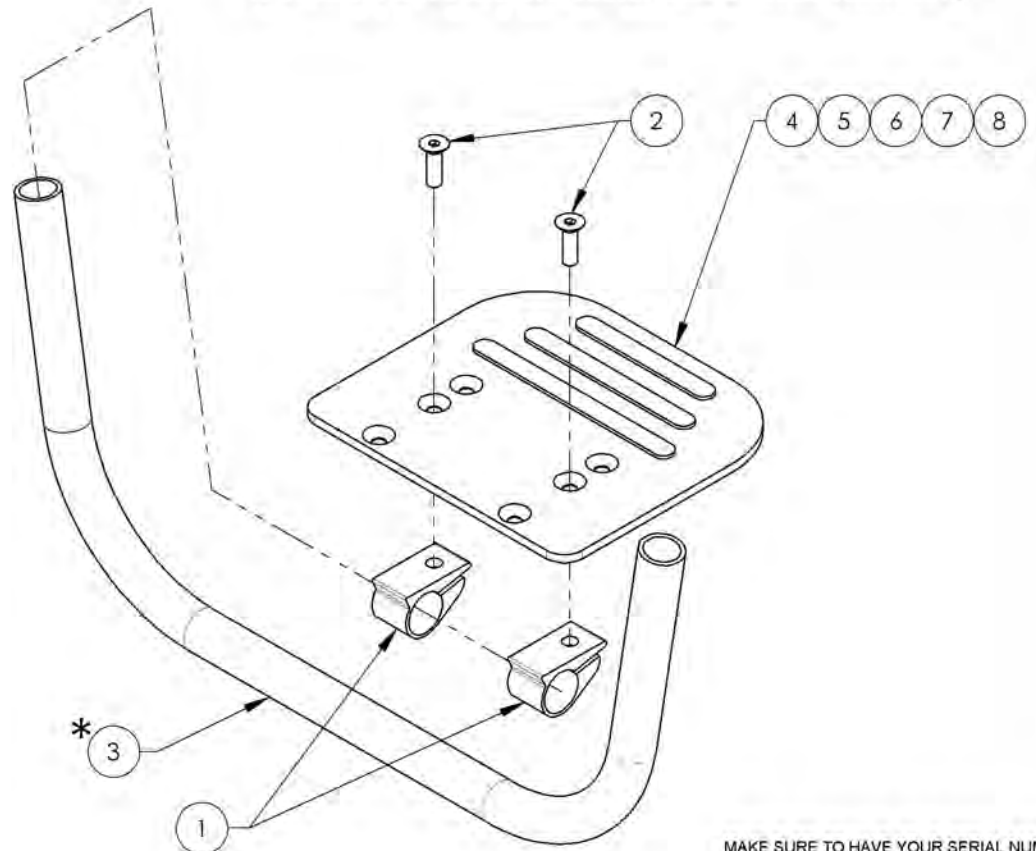
9003398  
 Footplate - Carbon Fiber, One Piece, With Structure, 14 x 5.5 in  
 (Specify Wheelchair Serial Number)



ITEM NO.	PARTNO	DESCRIPTION	9003394 /QTY.	9003395 /QTY.	9003396 /QTY.	9003397 /QTY.	9003398 /QTY.
1	31116	ANGLE ADJUSTABLE FOOTPLATE CLAMP	2	2	2	2	2
2	90868	FLAT HEAD CAP SCREW M6X1 X 20mm LONG, FULLY THREADED + BLUE THREADLOCKER - BLACK ZINC	2	2	2	2	2
3*	31261	ALUMINIUM TUBE FOR STANDARD AND FLIPBACK FOOTPLATE STRUCTURE	1	1	1	1	1
4	31127	6 IN PLATFORM CARBON FOOTPLATE + DECALS	1	-	-	-	-
5	31128	8 IN PLATFORM CARBON FOOTPLATE + DECALS	-	1	-	-	-
6	31129	10 IN PLATFORM CARBON FOOTPLATE + DECALS	-	-	1	-	-
7	31130	12 IN PLATFORM CARBON FOOTPLATE + DECALS	-	-	-	1	-
8	31131	14 IN PLATFORM CARBON FOOTPLATE + DECALS	-	-	-	-	1

**\*NOTE: PLEASE CONTACT OUR CUSTOMER SERVICE BEFORE TO ORDER FOOTPLATE STRUCTURE (#31261)**

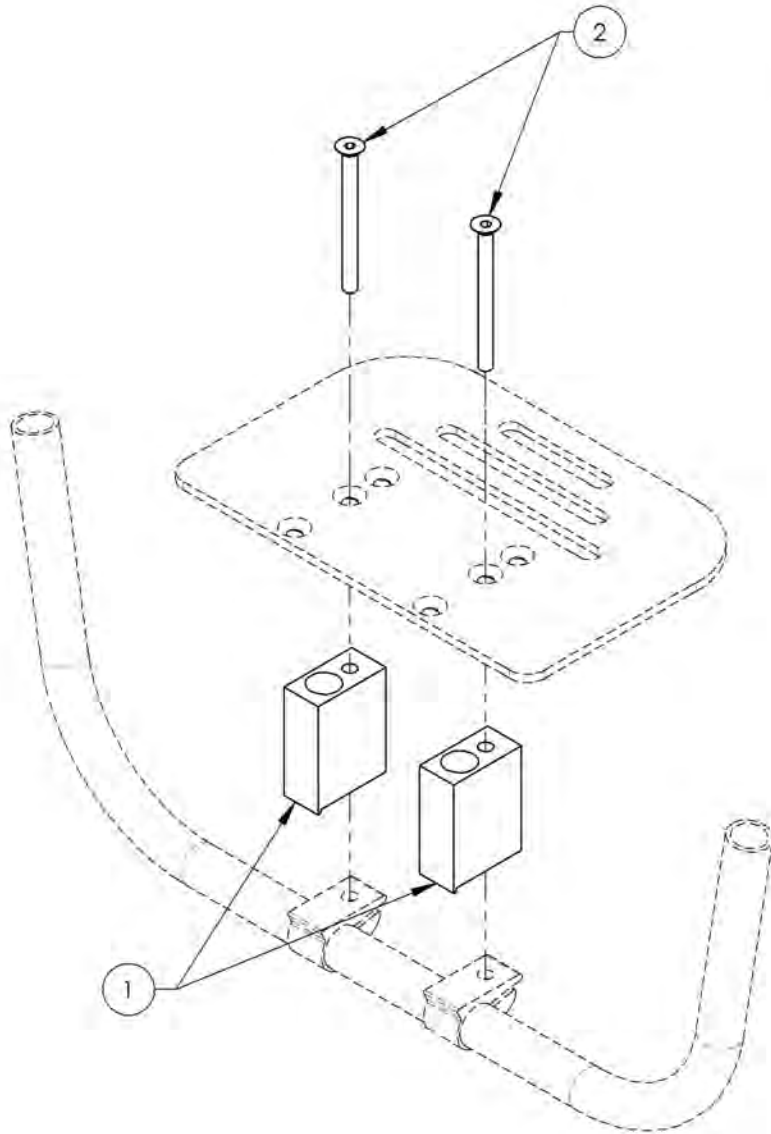
**COMPONENT MUST BE MACHINED BY MOTION COMPOSITES BASED ON WHEELCHAIR SPECS (PLEASE PROVIDE WHEELCHAIR SERIAL NUMBER)**



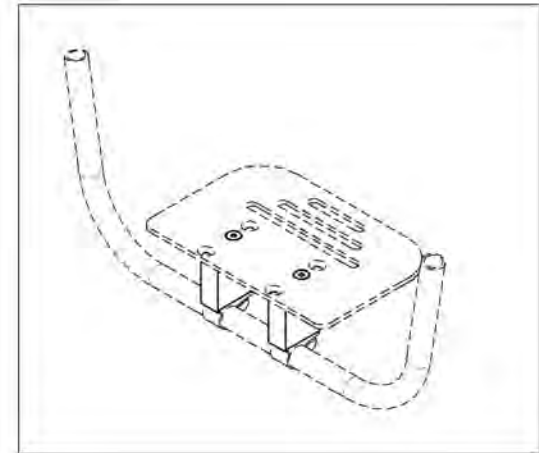
MAKE SURE TO HAVE YOUR SERIAL NUMBER NEARBY WHEN ORDERING PARTS FOR YOUR MOTION COMPOSITES WHEELCHAIR

**9003411**  
**Footplate - Riser for Aluminum Angle Adjustable Footplates, 2 in Height**

ITEM NO.	PARTNO	DESCRIPTION	9002933/ QTY.
1	31010	FOOTREST RISER 2 in	2
2	90878	FLAT HEAD CAP SCREW M6X1 X 70mm LONG, 18mm THREADED + BLUE THREADLOCKER - BLACK ZINC	2

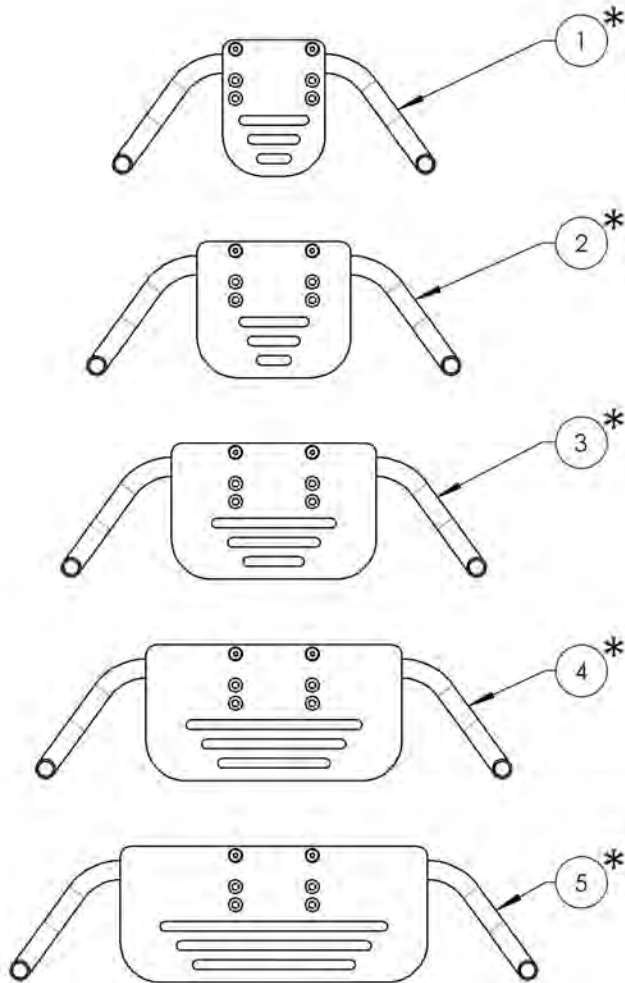


AVAILABLE ONLY WITH ALUMINUM ANGLE  
 ADJUSTABLE FOOTPLATE

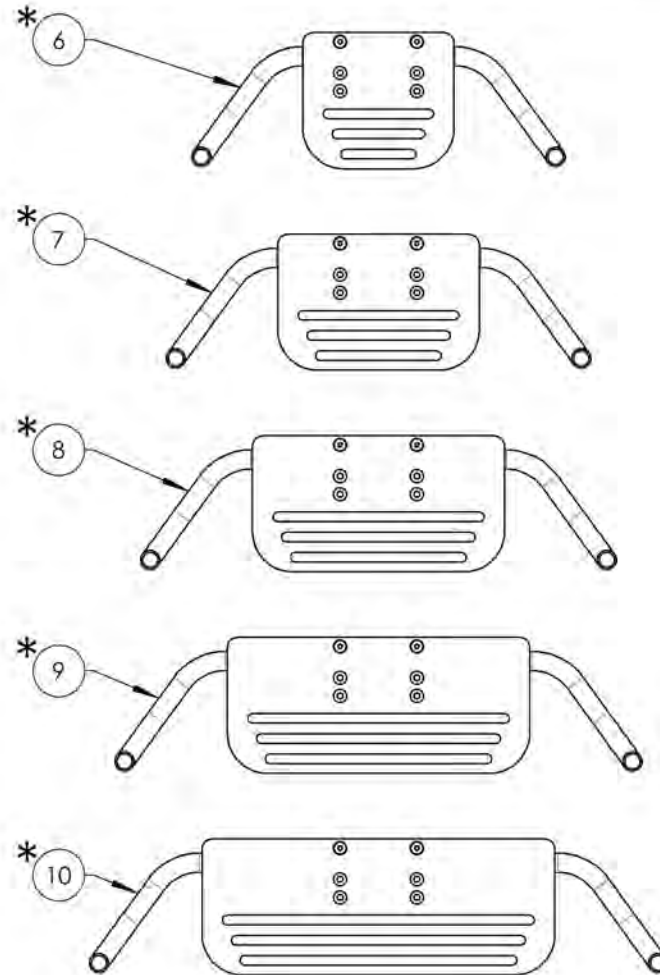


MAKE SURE TO HAVE YOUR SERIAL NUMBER  
 NEARBY WHEN ORDERING PARTS FOR YOUR  
 MOTION COMPOSITES WHEELCHAIR

**Footrests Catalogue**  
**Flip Back Angle Adjustable Footplates**



ITEM NO.	PARTNO	DESCRIPTION	QTY
1*	9003399	Footplate - Aluminium, One Piece, Flip Back, With Structure, 4 x 5.5 in (Specify Wheelchair Serial Number)	1
2*	9003400	Footplate - Aluminium, One Piece, Flip Back, With Structure, 6 x 5.5 in (Specify Wheelchair Serial Number)	1
3*	9003401	Footplate - Aluminium, One Piece, Flip Back, With Structure, 8 x 5.5 in (Specify Wheelchair Serial Number)	1
4*	9003402	Footplate - Aluminium, One Piece, Flip Back, With Structure, 10 x 5.5 in (Specify Wheelchair Serial Number)	1
5*	9003403	Footplate - Aluminium, One Piece, Flip Back, With Structure, 12 x 5.5 in (Specify Wheelchair Serial Number)	1
6*	9003406	Footplate - Carbon Fiber, One Piece, Flip Back, With Structure, 6 x 5.5 in (Specify Wheelchair Serial Number)	1
7*	9003407	Footplate - Carbon Fiber, One Piece, Flip Back, With Structure, 8 x 5.5 in (Specify Wheelchair Serial Number)	1
8*	9003408	Footplate - Carbon Fiber, One Piece, Flip Back, With Structure, 10 x 5.5 in (Specify Wheelchair Serial Number)	1
9*	9003409	Footplate - Carbon Fiber, One Piece, Flip Back, With Structure, 12 x 5.5 in (Specify Wheelchair Serial Number)	1
10*	9003410	Footplate - Carbon Fiber, One Piece, Flip Back, With Structure, 14 x 5.5 in (Specify Wheelchair Serial Number)	1



\*NOTE: PLEASE CONTACT OUR CUSTOMER SERVICE BEFORE TO ORDER ONE OF THE FLIP BACK ANGLE ADJUSTABLE FOOTPLATES (#9003399 to #9003403 & #9003406 to #9003410)

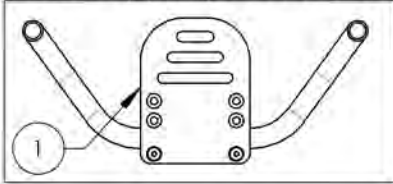
COMPONENT MUST BE MACHINED BY MOTION COMPOSITES BASED ON WHEELCHAIR SPECS  
**(PLEASE PROVIDE WHEELCHAIR SERIAL NUMBER)**

MAKE SURE TO HAVE YOUR SERIAL NUMBER NEARBY WHEN ORDERING PARTS FOR YOUR MOTION COMPOSITES WHEELCHAIR

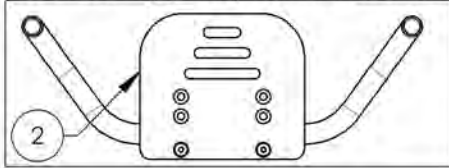
**9003399 9003403**

**Footplate - Aluminium, One Piece, Flip Back, With Structure (Specify Wheelchair Serial Number)**

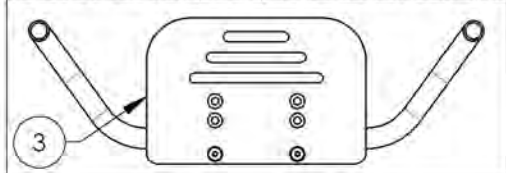
9003399  
Footplate - Aluminium, One Piece, Flip Back, With Structure, 4 x 5.5 in (Specify Wheelchair Serial Number)



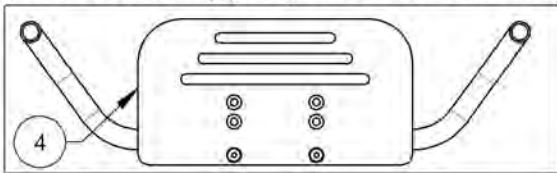
9003400  
Footplate - Aluminium, One Piece, Flip Back, With Structure, 6 x 5.5 in (Specify Wheelchair Serial Number)



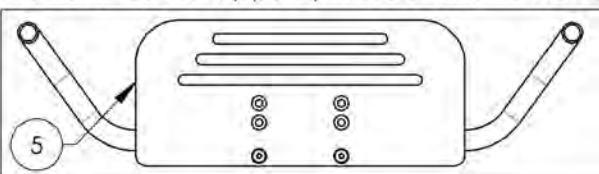
9003401  
Footplate - Aluminium, One Piece, Flip Back, With Structure, 8 x 5.5 in (Specify Wheelchair Serial Number)



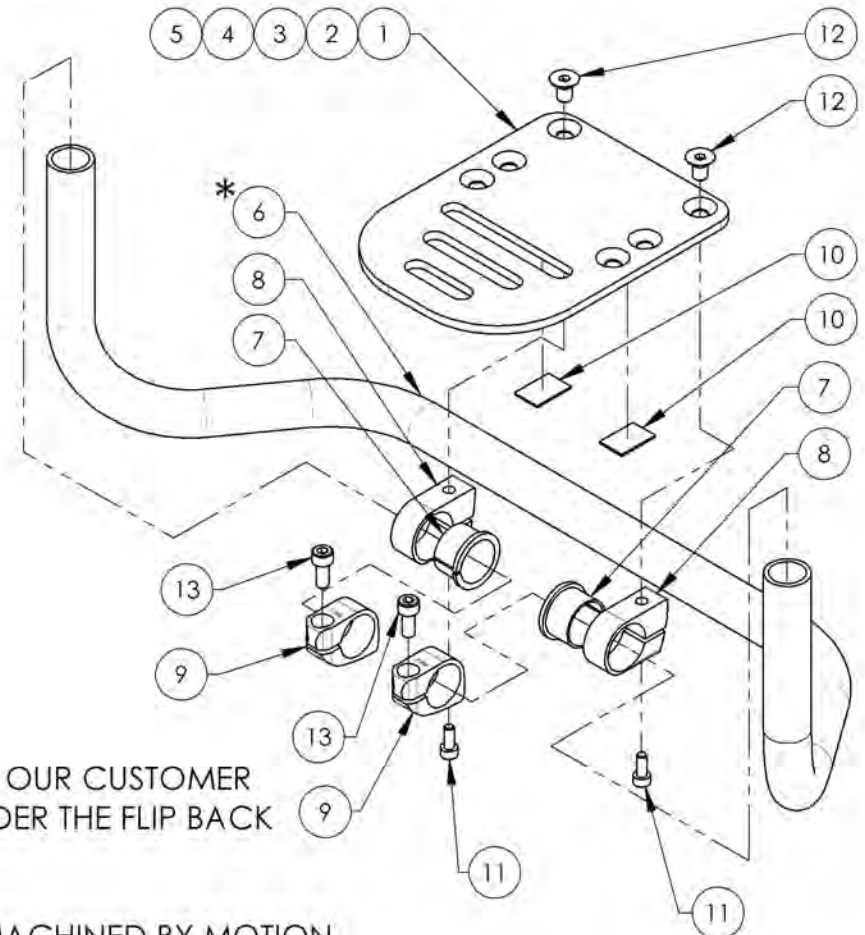
9003402  
Footplate - Aluminium, One Piece, Flip Back, With Structure, 10 x 5.5 in (Specify Wheelchair Serial Number)



9003403  
Footplate - Aluminium, One Piece, Flip Back, With Structure, 12 x 5.5 in (Specify Wheelchair Serial Number)



ITEM NO.	PARTNO	DESCRIPTION	9003399 /QTY.	9003400 /QTY.	9003401 /QTY.	9003402 /QTY.	9003403 /QTY.
1	31088	PLATFORM ALUMINIUM FOOTPLATE 4 IN	1	-	-	-	-
2	31089	PLATFORM ALUMINIUM FOOTPLATE 6 IN	-	1	-	-	-
3	31090	PLATFORM ALUMINIUM FOOTPLATE 8 IN	-	-	1	-	-
4	31091	PLATFORM ALUMINIUM FOOTPLATE 10 IN	-	-	-	1	-
5	31092	PLATFORM ALUMINIUM FOOTPLATE 12 IN	-	-	-	-	1
6*	31261	ALUMINIUM TUBE FOR STANDARD AND FLIPBACK FOOTPLATE STRUCTURE	1	1	1	1	1
7	31262	FLANGED SLEEVE	2	2	2	2	2
8	31263	PIVOT CLAMP	2	2	2	2	2
9	31264	ANGLE ADJUSTMENT CLAMP	2	2	2	2	2
10	31265	UHMW WEAR TAPE 12.7mm WD, 19mm LGTH, 0.8mm THK	2	2	2	2	2
11	90724	SOCKET CAP SCREW M4X0.7 X 10mm LONG, FULLY THREADED + BLUE TREADLOCKER - BLACK ZINC	2	2	2	2	2
12	90863	FLAT HEAD CAP SCREW M6X1 X 10mm LONG, FULLY THREADED + BLUE TREADLOCKER - BLACK ZINC	2	2	2	2	2
13	90744	SOCKET CAP SCREW M5X0.8 X 12mm LONG, FULLY THREADED + BLUE TREADLOCKER - BLACK ZINC	2	2	2	2	2



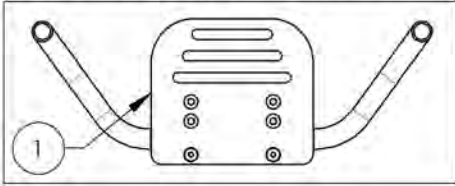
**\*NOTE: PLEASE CONTACT OUR CUSTOMER SERVICE BEFORE TO ORDER THE FLIP BACK STRUCTURES (#31261)**

**COMPONENT MUST BE MACHINED BY MOTION COMPOSITES BASED ON WHEELCHAIR SPECS (PLEASE PROVIDE WHEELCHAIR SERIAL NUMBER)**

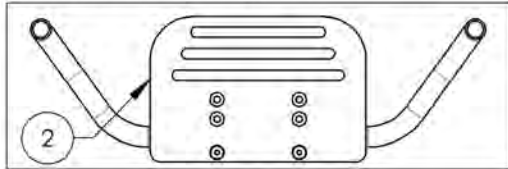
MAKE SURE TO HAVE YOUR SERIAL NUMBER NEARBY WHEN ORDERING PARTS FOR YOUR MOTION COMPOSITES WHEELCHAIR

**9003406\_9003410**  
**Footplate - Carbon Fiber, One Piece, Flip Back, With Structure**  
**(Specify Wheelchair Serial Number)**

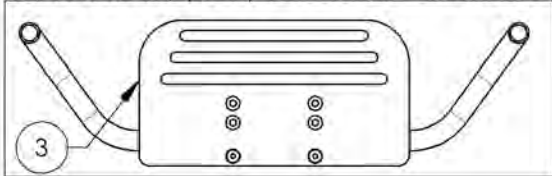
9003406  
 Footplate - Carbon Fiber, One Piece, Flip Back, With  
 Structure, 6 x 5.5 in (Specify Wheelchair Serial Number)



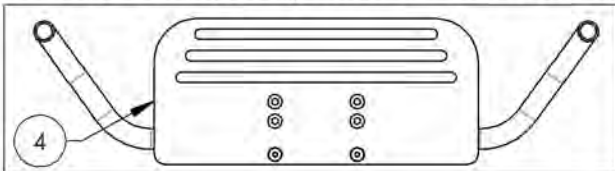
9003407  
 Footplate - Carbon Fiber, One Piece, Flip Back, With  
 Structure, 8 x 5.5 in (Specify Wheelchair Serial Number)



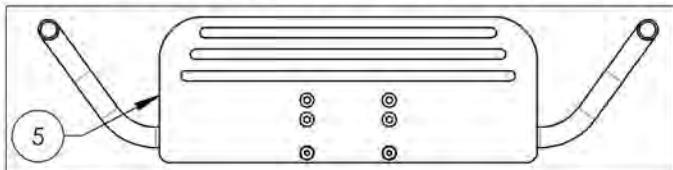
9003408  
 Footplate - Carbon Fiber, One Piece, Flip Back, With  
 Structure, 10 x 5.5 in (Specify Wheelchair Serial Number)



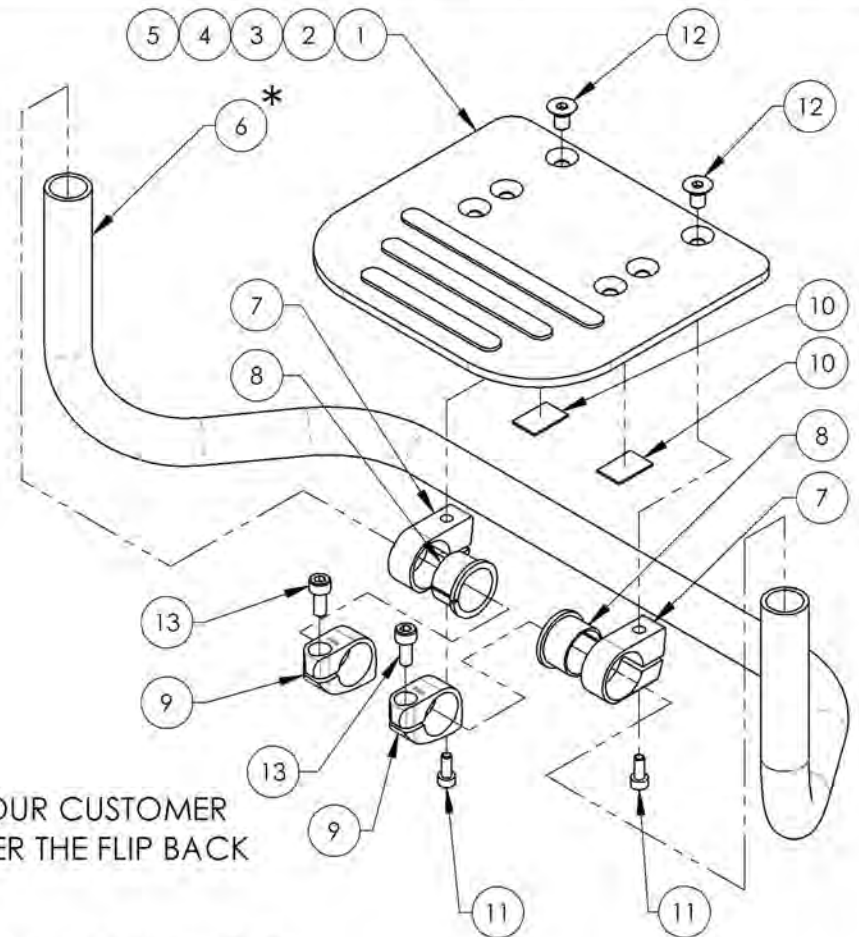
9003409  
 Footplate - Carbon Fiber, One Piece, Flip Back, With  
 Structure, 12 x 5.5 in (Specify Wheelchair Serial Number)



9003410  
 Footplate - Carbon Fiber, One Piece, Flip Back, With  
 Structure, 14 x 5.5 in (Specify Wheelchair Serial Number)



ITEM NO.	PARTNO	DESCRIPTION	9003406 /QTY.	9003407 /QTY.	9003408 /QTY.	9003409 /QTY.	9003410 /QTY.
1	31127	6 IN PLATFORM CARBON FOOTPLATE + DECALS	1	-	-	-	-
2	31128	8 IN PLATFORM CARBON FOOTPLATE + DECALS	-	1	-	-	-
3	31129	10 IN PLATFORM CARBON FOOTPLATE + DECALS	-	-	1	-	-
4	31130	12 IN PLATFORM CARBON FOOTPLATE + DECALS	-	-	-	1	-
5	31131	14 IN PLATFORM CARBON FOOTPLATE + DECALS	-	-	-	-	1
6*	31261	ALUMINIUM TUBE FOR STANDARD AND FLIPBACK FOOTPLATE STRUCTURE	1	1	1	1	1
7	31263	PIVOT CLAMP	2	2	2	2	2
8	31262	FLANGED SLEEVE	2	2	2	2	2
9	31264	ANGLE ADJUSTMENT CLAMP	2	2	2	2	2
10	31265	UHMW WEAR TAPE 12.7mm WD, 19mm LGTH, 0.8mm THK	2	2	2	2	2
11	90724	SOCKET CAP SCREW M4X0.7 X 10mm LONG, FULLY THREADED + BLUE TREADLOCKER - BLACK ZINC	2	2	2	2	2
12	90863	FLAT HEAD CAP SCREW M6X1 X 10mm LONG, FULLY THREADED + BLUE TREADLOCKER - BLACK ZINC	2	2	2	2	2
13	90744	SOCKET CAP SCREW M5X0.8 X 12mm LONG, FULLY THREADED + BLUE TREADLOCKER - BLACK ZINC	2	2	2	2	2



**\*NOTE: PLEASE CONTACT OUR CUSTOMER SERVICE BEFORE TO ORDER THE FLIP BACK STRUCTURES (#31261)**

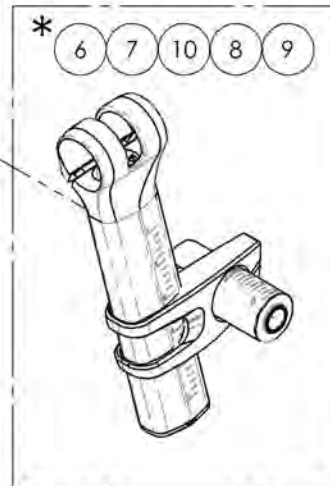
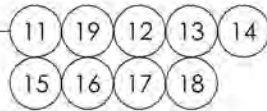
**COMPONENT MUST BE MACHINED BY MOTION COMPOSITES BASED ON WHEELCHAIR SPECS (PLEASE PROVIDE WHEELCHAIR SERIAL NUMBER)**

MAKE SURE TO HAVE YOUR SERIAL NUMBER NEARBY WHEN ORDERING PARTS FOR YOUR MOTION COMPOSITES WHEELCHAIR

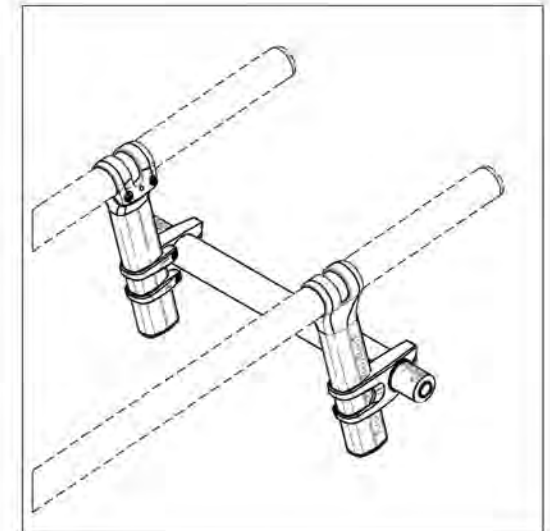
**Rear Wheels Catalogue**  
**Rear Wheel Mounting Tube**

**\*NOTE: PLEASE CONTACT OUR CUSTOMER SERVICE BEFORE TO ORDER THE REAR WHEL MOUNTING TUBE (#9003636 to #9003648)**

**COMPONENT MUST BE MACHINED BY MOTION COMPOSITES BASED ON WHEELCHAIR SPECS (PLEASE PROVIDE WHEELCHAIR SERIAL NUMBER)**

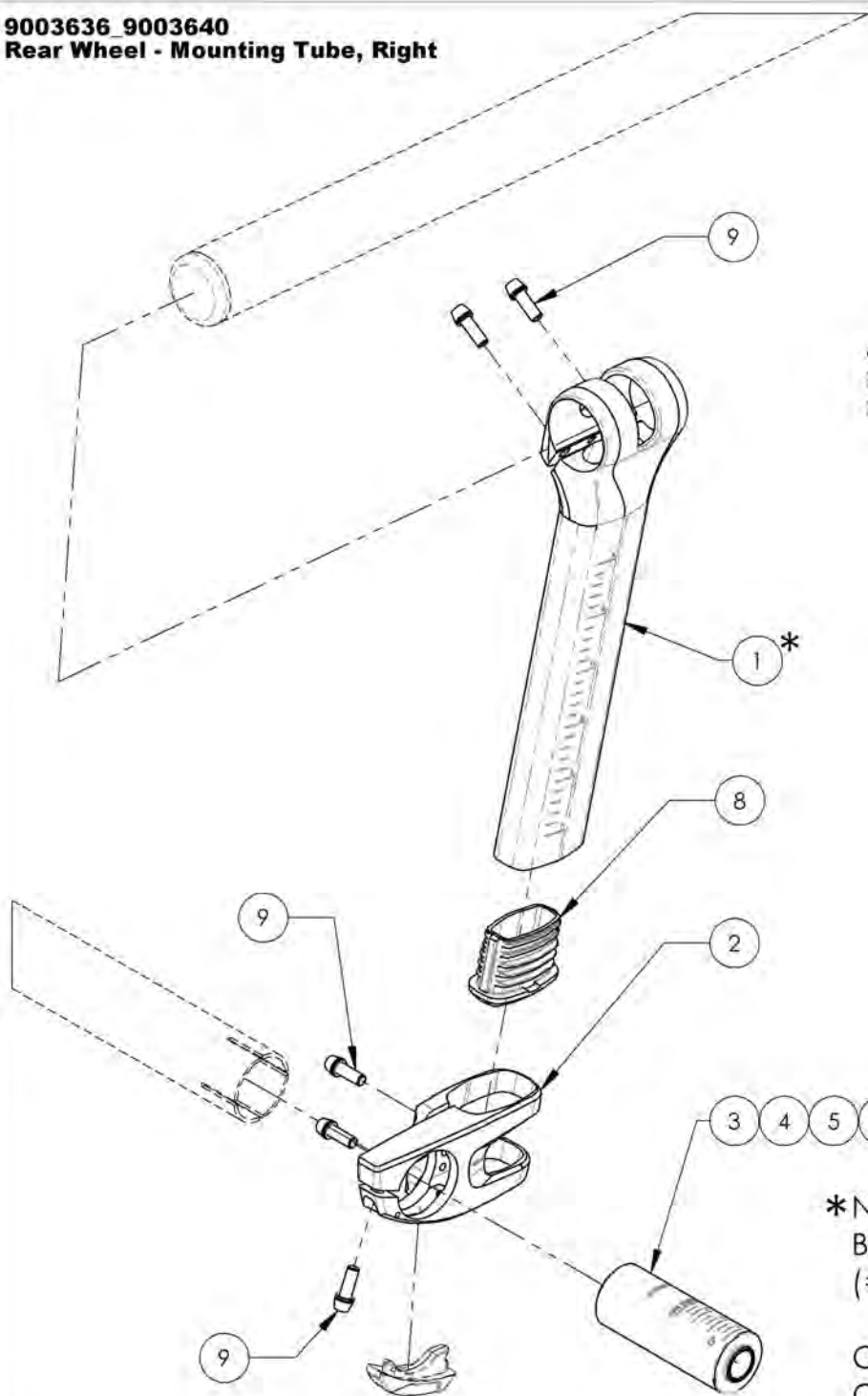


ITEM NO.	PARTNO	DESCRIPTION	QTY
1*	9003636	Rear Wheel - Mounting Tube, Right, 0 DEG Camber Angle	1
2*	9003637	Rear Wheel - Mounting Tube, Right, 2 DEG Camber Angle	1
3*	9003638	Rear Wheel - Mounting Tube, Right, 4 DEG Camber Angle	1
4*	9003639	Rear Wheel - Mounting Tube, Right, 6 DEG Camber Angle	1
5*	9003640	Rear Wheel - Mounting Tube, Right, 8 DEG Camber Angle	1
6*	9003644	Rear Wheel - Mounting Tube, Left, 0 DEG Camber Angle	1
7*	9003645	Rear Wheel - Mounting Tube, Left, 2 DEG Camber Angle	1
8*	9003646	Rear Wheel - Mounting Tube, Left, 4 DEG Camber Angle	1
9*	9003647	Rear Wheel - Mounting Tube, Left, 6 DEG Camber Angle	1
10*	9003648	Rear Wheel - Mounting Tube, Left, 8 DEG Camber Angle	1
11	9003104	Camber Tube - Carbon Fiber, 12 in Width	1
12	9003105	Camber Tube - Carbon Fiber, 13 in Width	1
13	9003106	Camber Tube - Carbon Fiber, 14 in Width	1
14	9003107	Camber Tube - Carbon Fiber, 15 in Width	1
15	9003108	Camber Tube - Carbon Fiber, 16 in Width	1
16	9003109	Camber Tube - Carbon Fiber, 17 in Width	1
17	9003110	Camber Tube - Carbon Fiber, 18 in Width	1
18	9003111	Camber Tube - Carbon Fiber, 19 in Width	1
19	9003112	Camber Tube - Carbon Fiber, 20 in Width	1



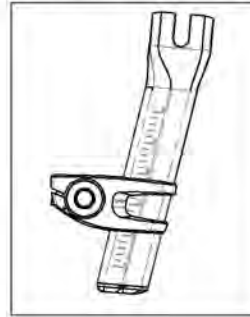
MAKE SURE TO HAVE YOUR SERIAL NUMBER NEARBY WHEN ORDERING PARTS FOR YOUR MOTION COMPOSITES WHEELCHAIR

**9003636\_9003640**  
**Rear Wheel - Mounting Tube, Right**

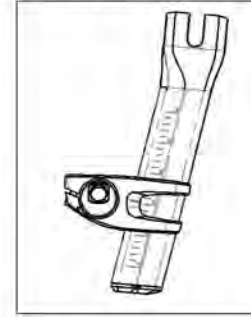


ITEM NO.	PARTNO	DESCRIPTION	9003636 /QTY.	9003637 /QTY.	9003638 /QTY.	9003639 /QTY.	9003640 /QTY.
1*	21601	RIGHT REAR WHEEL MOUNTING TUBE	1	1	1	1	1
2	21602	RIGHT CAMBER TUBE CLAMP	1	1	1	1	1
3	21043	REAR AXLE BUSHING 0°	1	-	-	-	-
4	21044	REAR AXLE BUSHING 2°	-	1	-	-	-
5	21045	REAR AXLE BUSHING 4°	-	-	1	-	-
6	21046	REAR AXLE BUSHING 6°	-	-	-	1	-
7	21047	REAR AXLE BUSHING 8°	-	-	-	-	1
8	21614	REAR WHEEL SUPPORT PLASTIC END CAP - BLACK	1	1	1	1	1
9	92024	TAPER HEAD CAP SCREW+WASHER M5X0.8 X 14mm LONG, FULLY THREADED + BLUE THREADLOCKER	5	5	5	5	5

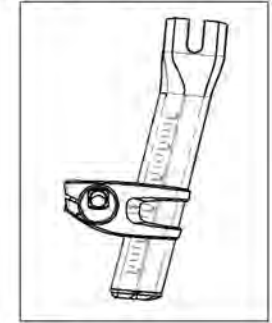
9003636  
 Rear Wheel - Mounting Tube,  
 Right, 0 DEG Camber Angle



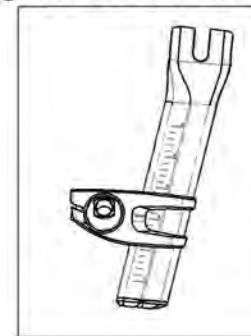
9003637  
 Rear Wheel - Mounting Tube,  
 Right, 2 DEG Camber Angle



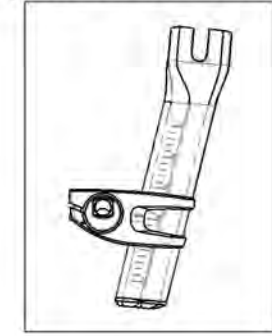
9003638  
 Rear Wheel - Mounting Tube,  
 Right, 4 DEG Camber Angle



9003639  
 Rear Wheel - Mounting Tube,  
 Right, 6 DEG Camber Angle



9003640  
 Rear Wheel - Mounting Tube,  
 Right, 8 DEG Camber Angle



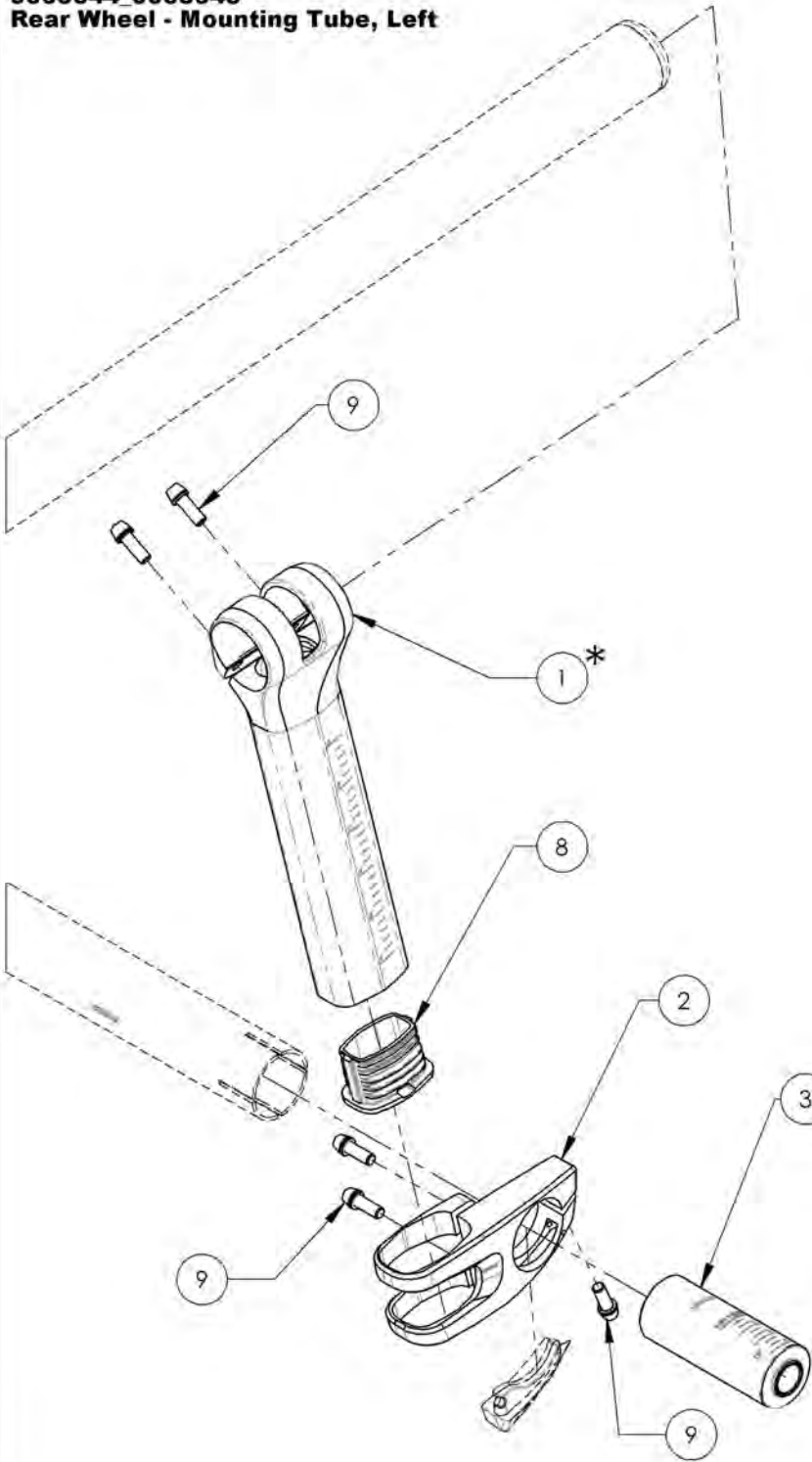
**\*NOTE: PLEASE CONTACT OUR CUSTOMER SERVICE BEFORE TO ORDER THE REAR WHEL MOUNTING TUBE (#21601)**

**COMPONENT MUST BE MACHINED BY MOTION COMPOSITES BASED ON WHEELCHAIR SPECS (PLEASE PROVIDE WHEELCHAIR SERIAL NUMBER)**

MAKE SURE TO HAVE YOUR SERIAL NUMBER NEARBY WHEN ORDERING PARTS FOR YOUR MOTION COMPOSITES WHEELCHAIR

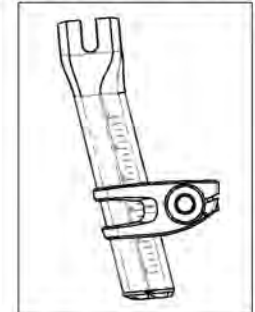


**9003644\_9003648**  
**Rear Wheel - Mounting Tube, Left**

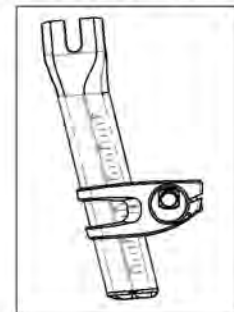


ITEM NO.	PARTNO	DESCRIPTION	9003644 /QTY.	9003645 /QTY.	9003646 /QTY.	9003647 /QTY.	9003648 /QTY.
1*	21600	LEFT REAR WHEEL MOUNTING TUBE	1	1	1	1	1
2	21603	LEFT CAMBER TUBE CLAMP	1	1	1	1	1
3	21043	REAR AXLE BUSHING 0°	1	-	-	-	-
4	21044	REAR AXLE BUSHING 2°	-	1	-	-	-
5	21045	REAR AXLE BUSHING 4°	-	-	1	-	-
6	21046	REAR AXLE BUSHING 6°	-	-	-	1	-
7	21047	REAR AXLE BUSHING 8°	-	-	-	-	1
8	21614	REAR WHEEL SUPPORT PLASTIC END CAP - BLACK	1	1	1	1	1
9	92024	TAPER HEAD CAP SCREW+WASHER M5X0.8 X 1.4mm LONG, FULLY THREADED + BLUE THREADLOCKER	5	5	5	5	5

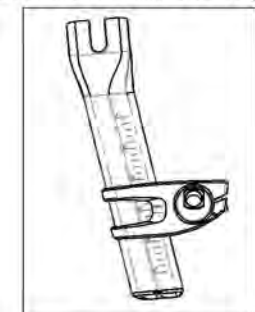
9003644  
 Rear Wheel - Mounting Tube,  
 Left, 0 DEG Camber Angle



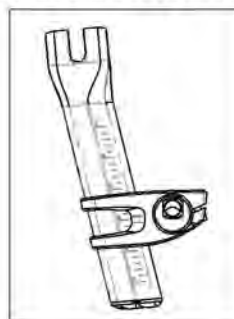
9003645  
 Rear Wheel - Mounting Tube,  
 Left, 2 DEG Camber Angle



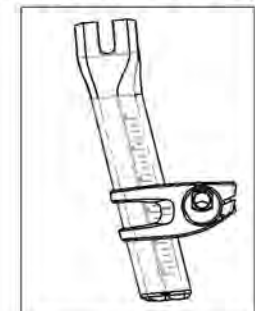
9003646  
 Rear Wheel - Mounting Tube,  
 Left, 4 DEG Camber Angle



9003647  
 Rear Wheel - Mounting Tube,  
 Left, 6 DEG Camber Angle



9003648  
 Rear Wheel - Mounting Tube,  
 Left, 8 DEG Camber Angle

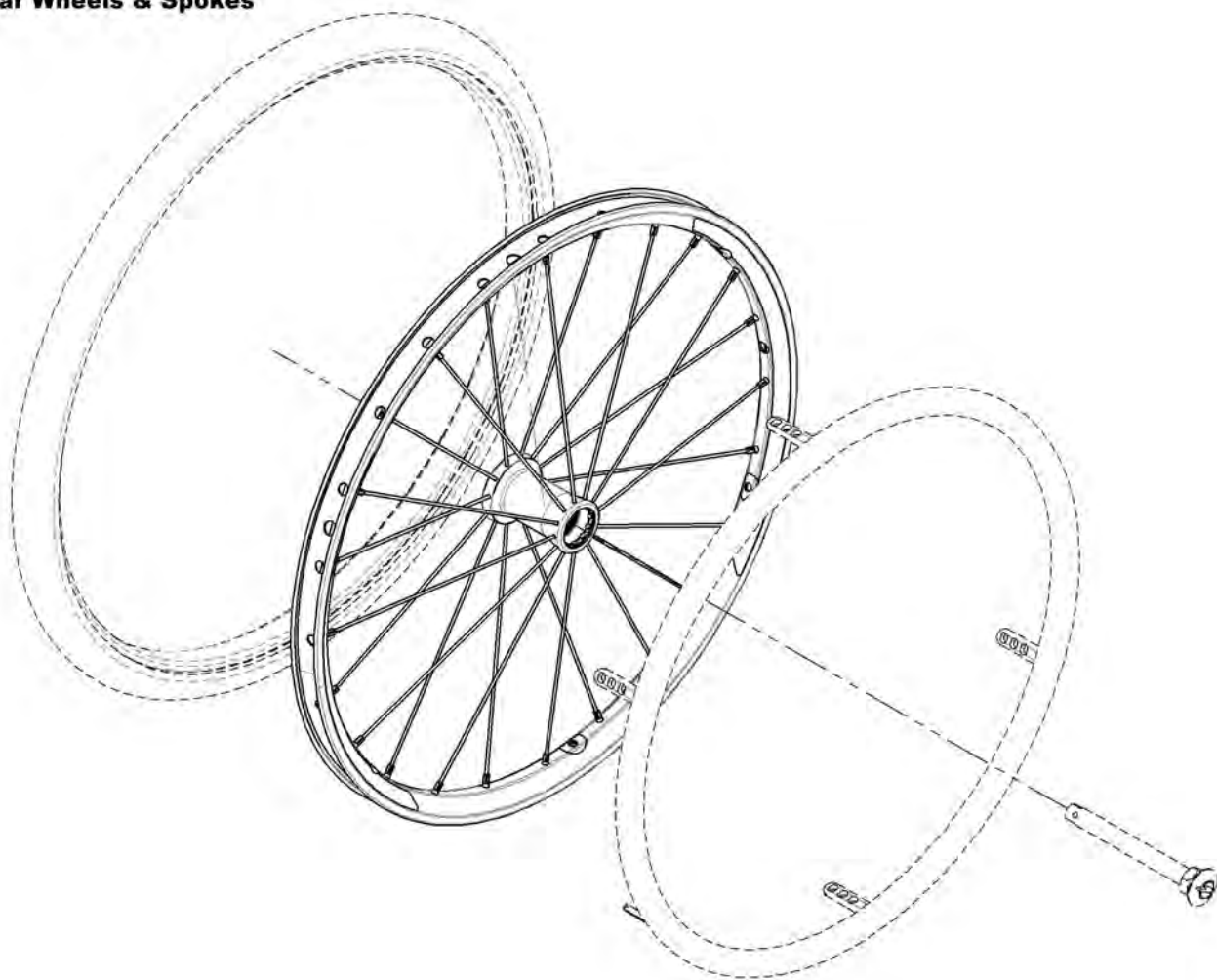


**\*NOTE: PLEASE CONTACT OUR CUSTOMER SERVICE BEFORE TO ORDER THE REAR WHEL MOUNTING TUBE (#21600)**

**COMPONENT MUST BE MACHINED BY MOTION COMPOSITES BASED ON WHEELCHAIR SPECS (PLEASE PROVIDE WHEELCHAIR SERIAL NUMBER)**

MAKE SURE TO HAVE YOUR SERIAL NUMBER NEARBY WHEN ORDERING PARTS FOR YOUR MOTION COMPOSITES WHEELCHAIR

## Rear Wheels Catalogue Rear Wheels & Spokes

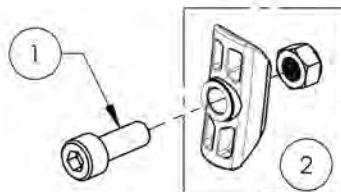


ITEM NO.	PARTNO	DESCRIPTION	QTY.
1	9001483	Rear Wheel - Mag, 20 in	1
2	9001484	Rear Wheel - Mag, 22 in	1
3	9001485	Rear Wheel - Mag, 24 in	1
4	9001446	Rear Wheel - Newton One, 20 in	1
5	9001486	Rear Wheel - Newton One, 22 in	1
6	9001487	Rear Wheel - Newton One, 24 in	1
7	9001488	Rear Wheel - Newton Gravity, 20 in	1
8	9001489	Rear Wheel - Newton Gravity, 22 in	1
9	9001490	Rear Wheel - Newton Gravity, 24 in	1
10	9001491	Rear Wheel - Newton Gravity, 25 in	1
11	9001492	Rear Wheel - Newton Gravity, 26 in	1
12	9001494	Rear Wheel - SpinerGY Spox, 22 in	1
13	9001495	Rear Wheel - SpinerGY Spox, 24 in	1
14	9001496	Rear Wheel - SpinerGY Spox, 25 in	1
15	9001497	Rear Wheel - SpinerGY Spox, 26 in	1
16	9001498	Rear Wheel - SpinerGY LX, 22 in	1
17	9001499	Rear Wheel - SpinerGY LX, 24 in	1
18	9001500	Rear Wheel - SpinerGY LX, 25 in	1
19	9001501	Rear Wheel - SpinerGY LX, 26 in	1
20	9001503	Rear Wheel - SpinerGY LX, 22 in (Specify Color)	1
21	9001504	Rear Wheel - SpinerGY LX, 24 in (Specify Color)	1
22	9001505	Rear Wheel - SpinerGY LX, 25 in (Specify Color)	1
23	9001506	Rear Wheel - SpinerGY LX, 26 in (Specify Color)	1
24	9002202	Rear Wheel - SpinerGY Spox, 22 in (Specify Color)	1
25	9002203	Rear Wheel - SpinerGY Spox, 24 in (Specify Color)	1
26	9002204	Rear Wheel - SpinerGY Spox, 25 in (Specify Color)	1
27	9002205	Rear Wheel - SpinerGY Spox, 26 in (Specify Color)	1

### BEARING REPLACEMENT FOR ALL REAR WHEELS

Part#: **22011**

### HARDWARE INCLUDED WITH ALL NEWTON ONE WHEELS



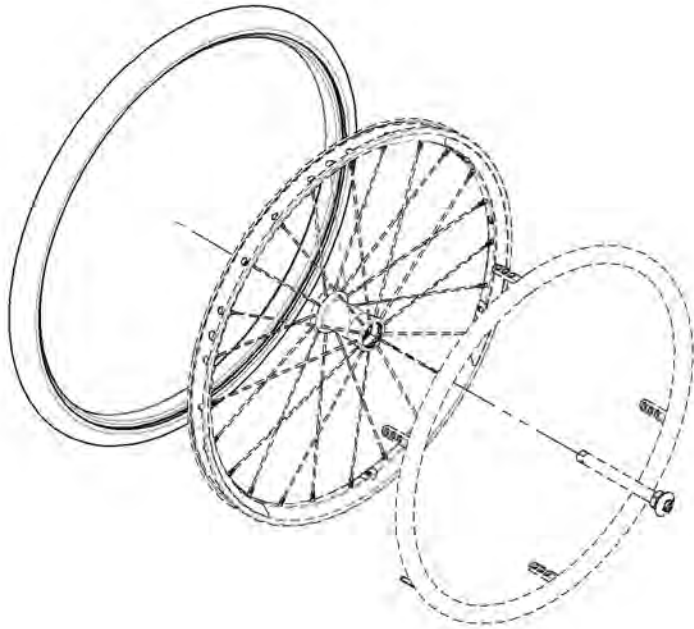
ITEM NO.	PARTNO	DESCRIPTION	9001446 /QTY.	9001486 /QTY.	9001487 /QTY.
1	90745	SOCKET CAP SCREW M5X0.8 X 14mm LONG, FULLY THREADED + BLUE TREADLOCKER - BLACK ZINC	6	6	6
2	21500	REAR WHEEL LOCKNUT INSERT - ASSEMBLY	6	6	6

### WHEEL SPOKES

	NEWTON ONE (24)		NEWTON GRAVITY (24)		
	EXT. & INT. SILVER	EXT. & INT. SILVER	EXT. WHITE (1)	EXT. BLACK (11)	INT. BLACK (12)
20"	21271 (1)		21157	21156 (1)	21155 (1)
22"		21153 (1)	21160	21159 (1)	21158 (1)
24"		21154 (1)	21163	21162 (1)	21161 (1)
25"	-	-	21166	21165 (1)	21164 (1)
26"	-	-	21169	21168 (1)	21167 (1)
NIPPLE	21181 (SILVER NIPPLE)		21180 (BLACK NIPPLE)		

MAKE SURE TO HAVE YOUR SERIAL NUMBER NEARBY WHEN ORDERING PARTS FOR YOUR MOTION COMPOSITES WHEELCHAIR

## Rear Wheels Catalogue Tires

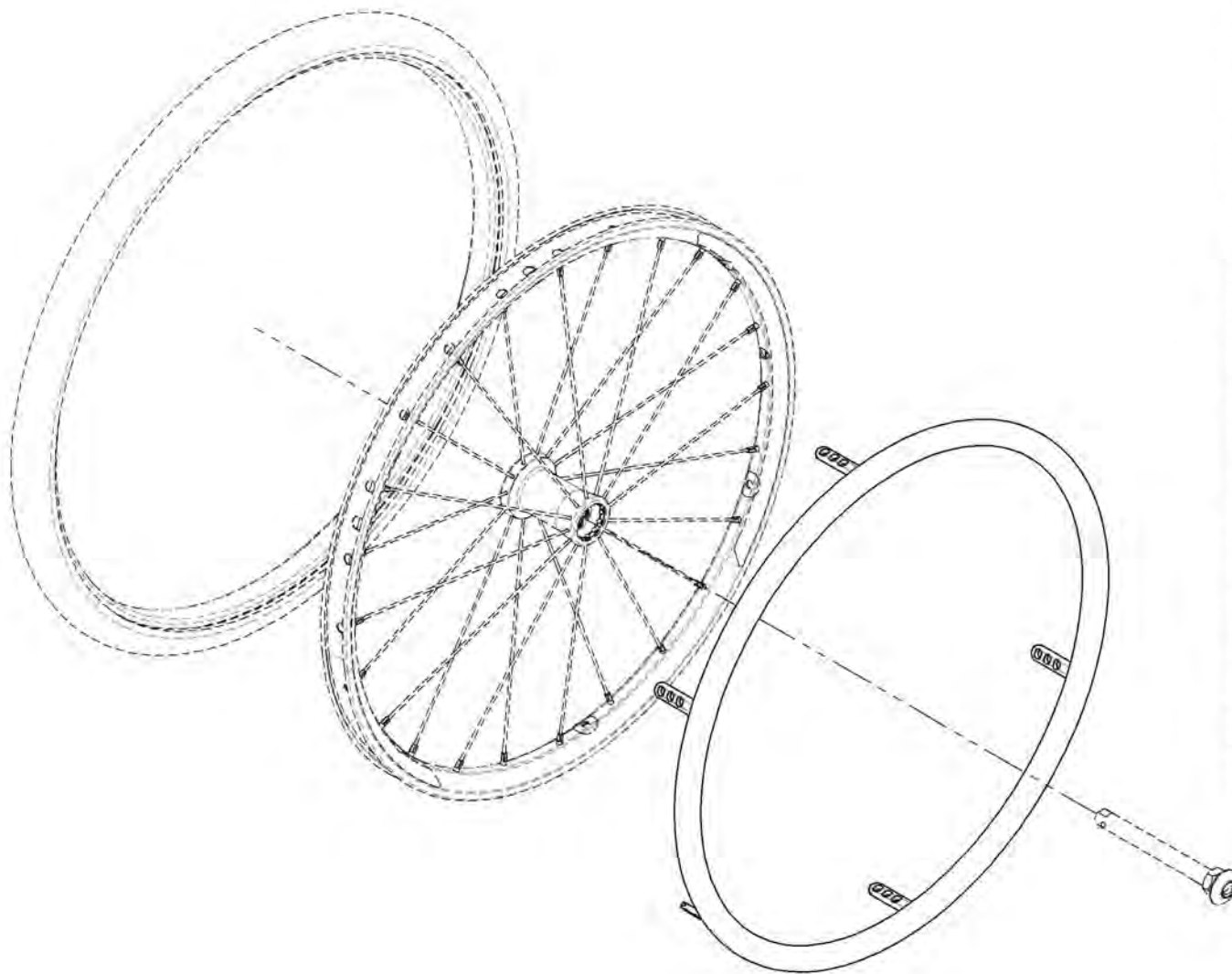


ITEM NO.	PARTNO	DESCRIPTION	QTY.
1	9001507	Tire - Soft Urethane, 1 1/4 x 20 in	1
2	9001508	Tire - Soft Urethane, 1 1/4 x 22 in	1
3	9001509	Tire - Soft Urethane, 1 1/4 x 24 in	1
4	9001510	Tire - Pneumatic, Standard Pressure, 1 3/8 x 20 in	1
	21315	20"x1 3/8" PNEUMATIC TIRE	1
	21255	20" x1 3/8" TUBE	1
	21065	RIM TAPE 20-22"	1
5	9001511	Tire - Pneumatic, Standard Pressure, 1 3/8 x 22 in	1
	21316	22"x1 3/8" PNEUMATIC TIRE	1
	21256	22" x1 3/8" TUBE	1
	21065	RIM TAPE 20-22"	1
6	9001512	Tire - Pneumatic, Standard Pressure, 1 3/8 x 24 in	1
	21317	24"x1 3/8" PNEUMATIC TIRE	1
	21257	24" x1 3/8" TUBE	1
	21066	RIM TAPE 24"	1
7	9001513	Tire - Pneumatic, Standard Pressure, 1 3/8 x 25 in	1
	21318	25"x1 3/8" PNEUMATIC TIRE	1
	21253	25"x1" TUBE	1
	21067	RIM TAPE 25"	1
8	9001514	Tire - Pneumatic, Standard Pressure, 1 3/8 x 26 in	1
	21319	26"x1 3/8" PNEUMATIC TIRE	1
	21259	26" x1 3/8" TUBE	1
	21068	RIM TAPE 26"	1
9	9001515	Tire - Pyramid, 1 x 22 in	1
10	9001516	Tire - Pyramid, 1 x 24 in	1
11	9001517	Tire - Schwalbe Right Run HP, 1 x 20 in	1
	21305	IRONCAP/RIGHTRUN 1" HP TIRE 20"	1
	21250	20"x1" TUBE	1
	21065	RIM TAPE 20-22"	1
12	9001518	Tire - Schwalbe Right Run HP, 1 x 22 in	1
	21306	IRONCAP/RIGHTRUN 1" HP TIRE 22"	1
	21251	22"x1" TUBE	1
	21065	RIM TAPE 20-22"	1
13	9001519	Tire - Schwalbe Right Run HP, 1 x 24 in	1
	21307	IRONCAP/RIGHTRUN 1" HP TIRE 24"	1
	21252	24"x1" TUBE	1
	21066	RIM TAPE 24"	1

ITEM NO.	PARTNO	DESCRIPTION	QTY.
14	9001520	Tire - Schwalbe Right Run HP, 1 x 25 in	1
	21308	IRONCAP/RIGHTRUN 1" HP TIRE 25"	1
	21253	25"x1" TUBE	1
	21067	RIM TAPE 25"	1
15	9001521	Tire - Schwalbe Right Run HP, 1 x 26 in	1
	21309	IRONCAP/RIGHTRUN 1" HP TIRE 26"	1
	21254	26"x1" TUBE	1
	21068	RIM TAPE 26"	1
16	9001522	Tire - Kenda Kourier HP, 1 3/8 x 24 in	1
	21322	24"x1 3/8" KOURIER TIRE	1
	21257	24" x1 3/8" TUBE	1
	21066	RIM TAPE 24"	1
17	9001523	Tire - Kenda Kourier HP, 1 3/8 x 26 in	1
	21324	26"x1 3/8" KOURIER TIRE	1
	21259	26" x1 3/8" TUBE	1
	21068	RIM TAPE 26"	1
18	9001524	Tire - Soft Urethane SHOX HP, 1 x 22 in	1
19	9001525	Tire - Soft Urethane SHOX HP, 1 x 24 in	1
20	9001526	Tire - Soft Urethane SHOX HP, 1 x 25 in	1
21	9001527	Tire - Soft Urethane SHOX HP, 1 x 26 in	1
22	9001528	Tire - Schwalbe Marathon Plus, 1 x 24 in	1
	21252	24"x1" TUBE	1
	21066	RIM TAPE 24"	1
	21312	24"x1" HP TIRE MARATHON PLUS	1
23	9001529	Tire - Schwalbe Marathon Plus, 1 x 25 in	1
	21253	25"x1" TUBE	1
	21067	RIM TAPE 25"	1
	21313	25"x1" HP TIRE MARATHON PLUS	1
24	9001530	Tire - Schwalbe Marathon Plus, 1 x 26 in	1
	21254	26"x1" TUBE	1
	21068	RIM TAPE 26"	1
	31314	26"x1" HP TIRE MARATHON PLUS	1
25	9002521	Tire - Soft Urethane, Knobby, 1 3/8 x 22 in	1
26	9002235	Tire - Soft Urethane, Knobby, 1 3/8 x 24 in	1
27	9002264	Tire - Soft Urethane, Knobby, 1 3/8 x 25 in	1
28	9002265	Tire - Soft Urethane, Knobby, 1 3/8 x 26 in	1

MAKE SURE TO HAVE YOUR SERIAL NUMBER NEARBY WHEN ORDERING PARTS FOR YOUR MOTION COMPOSITES WHEELCHAIR

## Rear Wheels Catalogue Handrims



ITEM NO.	PARTNO	DESCRIPTION	QTY:
1	9001531	Handrim For Mag - Anodized Aluminum, 20 in	1
2	9001532	Handrim For Mag - Anodized Aluminum, 22 in	1
3	9001533	Handrim For Mag - Anodized Aluminum, 24 in	1
4	9001534	Handrim For Mag - Plastic Coated, 20 in	1
5	9001535	Handrim For Mag - Plastic Coated, 22 in	1
6	9001536	Handrim For Mag - Plastic Coated, 24 in	1
7	9001537	Handrim - Anodized Aluminum, 20 in	1
8	9001538	Handrim - Anodized Aluminum, 22 in	1
9	9001539	Handrim - Anodized Aluminum, 24 in	1
10	9001540	Handrim - Anodized Aluminum, 25 in	1
11	9001541	Handrim - Anodized Aluminum, 26 in	1
12	9001542	Handrim - Plastic Coated, 20 in	1
13	9001543	Handrim - Plastic Coated, 22 in	1
14	9001544	Handrim - Plastic Coated, 24 in	1
15	9001545	Handrim - Plastic Coated, 25 in	1
16	9001546	Handrim - Plastic Coated, 26 in	1
17	9001548	Handrim - Q-Grip High Friction Coated Foam, 22 in	1
18	9001549	Handrim - Q-Grip High Friction Coated Foam, 24 in	1
19	9001550	Handrim - Q-Grip High Friction Coated Foam, 25 in	1
20	9001551	Handrim - Q-Grip High Friction Coated Foam, 26 in	1
21	9001552	Handrim - Natural Fit, Regular Grip, 22 in	1
	21 221	22" NATURAL FIT HANDRIM	1
	21 226	22" NATURAL FIT THUMB PIECE	1
22	9001553	Handrim - Natural Fit, Regular Grip, 24 in	1
	21 222	24" NATURAL FIT HANDRIM	1
	21 227	24" NATURAL FIT THUMB PIECE	1
23	9002849	Handrim - Natural Fit, Regular Grip, 25 in	1
	21 223	25" NATURAL FIT HANDRIM	1
	21 228	25" NATURAL FIT THUMB PIECE	1
24	9001554	Handrim - Natural Fit, Regular Grip, 26 in	1
	21 224	26" NATURAL FIT HANDRIM	1
	21 229	26" NATURAL FIT THUMB PIECE	1
25	9001555	Handrim - Surge LT, 22 in	1
26	9001556	Handrim - Surge LT, 24 in	1
27	9001576	Handrim - Surge LT, 25 in	1
28	9002210	Handrim - Surge, Regular Grip, 24 in	1
29	9002211	Handrim - Surge, Regular Grip, 25 in	1

MAKE SURE TO HAVE YOUR SERIAL NUMBER NEARBY WHEN ORDERING PARTS FOR YOUR MOTION COMPOSITES WHEELCHAIR

## Rear Wheels Catalogue Newton Air Grip Handrims



BLACK  
NOIR



SUNKISSED ORANGE  
ORANGE TANGERINE



STEEL BLUE  
BLEU ACIER



SKY BLUE  
BLEU CIEL



CHARCOAL  
ANTHRACITE



FERRARI RED  
ROUGE FERRARI



SAPPHIRE BLUE  
BLEU SAPHIRE



WHITE  
BLANC



BURGUNDY  
BOURGOGNE



MONSTER GREEN  
VERT MONSTRE



FUCHSIA



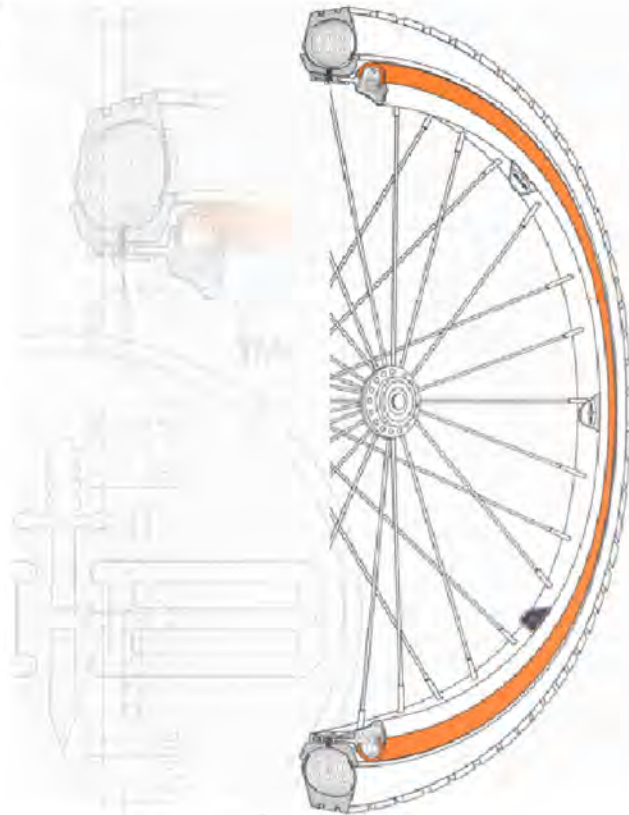
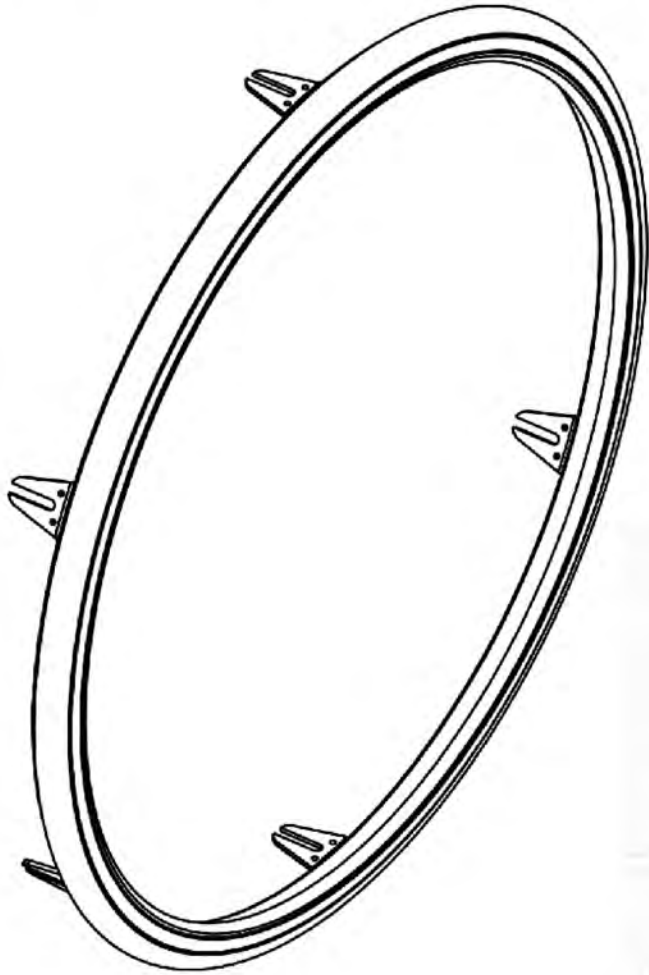
ACID GREEN  
VERT ACIDE

ITEM NO.	PARTNO	DESCRIPTION	QTY.
1	9002962	Handrim - Newton Air Grip, 20 in - Black	1
2	9002963	Handrim - Newton Air Grip, 22 in - Black	1
3	9002964	Handrim - Newton Air Grip, 24 in - Black	1
4	9002965	Handrim - Newton Air Grip, 25 in - Black	1
5	9002966	Handrim - Newton Air Grip, 26 in - Black	1
6	9002967	Handrim - Newton Air Grip, 20 in - Sun-kissed Orange	1
7	9002968	Handrim - Newton Air Grip, 22 in - Sun-kissed Orange	1
8	9002969	Handrim - Newton Air Grip, 24 in - Sun-kissed Orange	1
9	9002970	Handrim - Newton Air Grip, 25 in - Sun-kissed Orange	1
10	9002971	Handrim - Newton Air Grip, 26 in - Sun-kissed Orange	1
11	9002972	Handrim - Newton Air Grip, 20 in - Steel Blue	1
12	9002973	Handrim - Newton Air Grip, 22 in - Steel Blue	1
13	9002974	Handrim - Newton Air Grip, 24 in - Steel Blue	1
14	9002975	Handrim - Newton Air Grip, 25 in - Steel Blue	1
15	9002976	Handrim - Newton Air Grip, 26 in - Steel Blue	1
16	9002977	Handrim - Newton Air Grip, 20 in - Sky Blue	1
17	9002978	Handrim - Newton Air Grip, 22 in - Sky Blue	1
18	9002979	Handrim - Newton Air Grip, 24 in - Sky Blue	1
19	9002980	Handrim - Newton Air Grip, 25 in - Sky Blue	1
20	9002981	Handrim - Newton Air Grip, 26 in - Sky Blue	1
21	9002982	Handrim - Newton Air Grip, 20 in - Charcoal	1
22	9002983	Handrim - Newton Air Grip, 22 in - Charcoal	1
23	9002984	Handrim - Newton Air Grip, 24 in - Charcoal	1
24	9002985	Handrim - Newton Air Grip, 25 in - Charcoal	1
25	9002986	Handrim - Newton Air Grip, 26 in - Charcoal	1
26	9002987	Handrim - Newton Air Grip, 20 in - Ferrari Red	1
27	9002988	Handrim - Newton Air Grip, 22 in - Ferrari Red	1
28	9002989	Handrim - Newton Air Grip, 24 in - Ferrari Red	1
29	9002990	Handrim - Newton Air Grip, 25 in - Ferrari Red	1
30	9002991	Handrim - Newton Air Grip, 26 in - Ferrari Red	1

ITEM NO.	PARTNO	DESCRIPTION	QTY.
31	9002992	Handrim - Newton Air Grip, 20 in - Sapphire Blue	1
32	9002993	Handrim - Newton Air Grip, 22 in - Sapphire Blue	1
33	9002994	Handrim - Newton Air Grip, 24 in - Sapphire Blue	1
34	9002995	Handrim - Newton Air Grip, 25 in - Sapphire Blue	1
35	9002996	Handrim - Newton Air Grip, 26 in - Sapphire Blue	1
36	9002997	Handrim - Newton Air Grip, 20 in - White	1
37	9002998	Handrim - Newton Air Grip, 22 in - White	1
38	9002999	Handrim - Newton Air Grip, 24 in - White	1
39	9003000	Handrim - Newton Air Grip, 25 in - White	1
40	9003001	Handrim - Newton Air Grip, 26 in - White	1
41	9003002	Handrim - Newton Air Grip, 20 in - Burgundy	1
42	9003003	Handrim - Newton Air Grip, 22 in - Burgundy	1
43	9003004	Handrim - Newton Air Grip, 24 in - Burgundy	1
44	9003005	Handrim - Newton Air Grip, 25 in - Burgundy	1
45	9003006	Handrim - Newton Air Grip, 26 in - Burgundy	1
46	9003007	Handrim - Newton Air Grip, 20 in - Monster Green	1
47	9003008	Handrim - Newton Air Grip, 22 in - Monster Green	1
48	9003009	Handrim - Newton Air Grip, 24 in - Monster Green	1
49	9003010	Handrim - Newton Air Grip, 25 in - Monster Green	1
50	9003011	Handrim - Newton Air Grip, 26 in - Monster Green	1
51	9003012	Handrim - Newton Air Grip, 20 in - Fuchsia	1
52	9003013	Handrim - Newton Air Grip, 22 in - Fuchsia	1
53	9003014	Handrim - Newton Air Grip, 24 in - Fuchsia	1
54	9003015	Handrim - Newton Air Grip, 25 in - Fuchsia	1
55	9003016	Handrim - Newton Air Grip, 26 in - Fuchsia	1
56	9003017	Handrim - Newton Air Grip, 20 in - Acid Green	1
57	9003018	Handrim - Newton Air Grip, 22 in - Acid Green	1
58	9003019	Handrim - Newton Air Grip, 24 in - Acid Green	1
59	9003020	Handrim - Newton Air Grip, 25 in - Acid Green	1
60	9003021	Handrim - Newton Air Grip, 26 in - Acid Green	1

MAKE SURE TO HAVE YOUR SERIAL NUMBER  
NEARBY WHEN ORDERING PARTS FOR YOUR  
MOTION COMPOSITES WHEELCHAIR

**Rear Wheels Catalogue**  
**BBraver Handrims**

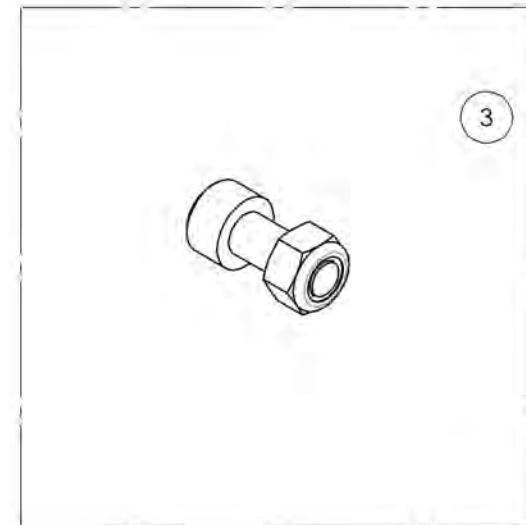
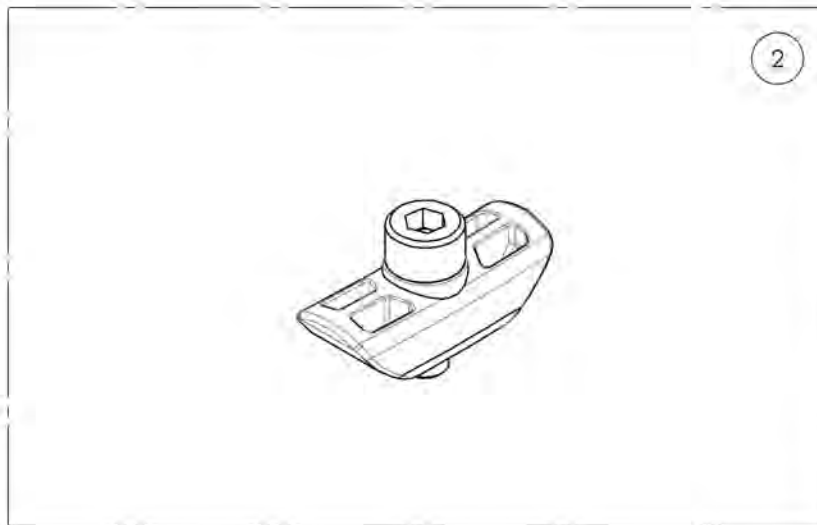
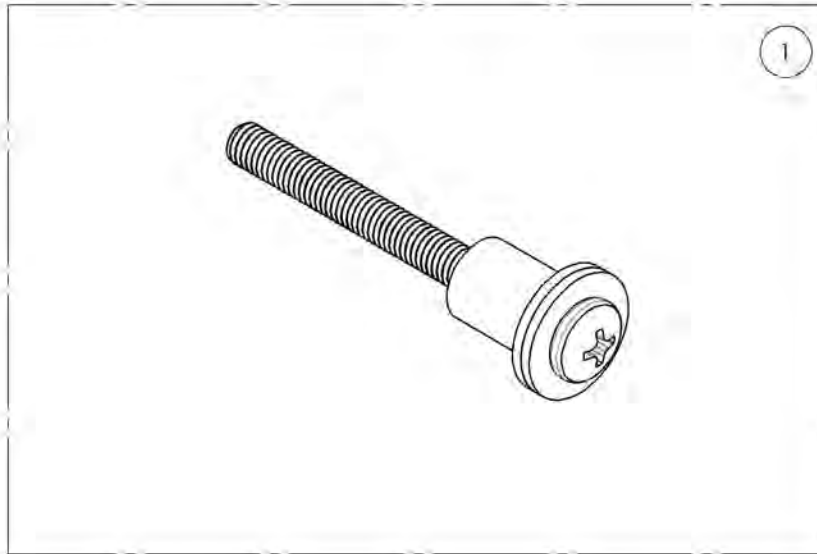


ITEM NO.	PARTNO	DESCRIPTION	QTY.
1	9002532	BBraver - Rough Rider Handrim, 24 in, White, Short (Pair) (RW-S-WW-24)	1
2	9002533	BBraver - Rough Rider Handrim, 24 in, White, Long (Pair) (RW-L-WW-24)	1
3	9002534	BBraver - Rough Rider Handrim, 25 in, White, Short (Pair) (RW-S-WW-25)	1
4	9002535	BBraver - Rough Rider Handrim, 25 in, White, Long (Pair) (RW-L-WW-25)	1
5	9002536	BBraver - Rough Rider Handrim, 24 in, Orange, Short (Pair) (RO-S-OB-24)	1
6	9002537	BBraver - Rough Rider Handrim, 24 in, Orange, Long (Pair) (RO-L-OB-24)	1
7	9002538	BBraver - Rough Rider Handrim, 25 in, Orange, Short (Pair) (RO-S-OB-25)	1
8	9002539	BBraver - Rough Rider Handrim, 25 in, Orange, Long (Pair) (RO-L-OB-25)	1
9	9002540	BBraver - Rough Rider Handrim, 24 in, Black, Short (Pair) (RB-S-BB-24)	1
10	9002541	BBraver - Rough Rider Handrim, 24 in, Black, Long (Pair) (RB-L-BB-24)	1
11	9002542	BBraver - Rough Rider Handrim, 25 in, Black, Short (Pair) (RB-S-BB-25)	1
12	9002543	BBraver - Rough Rider Handrim, 25 in, Black, Long (Pair) (RB-L-BB-25)	1
13	9002544	BBraver - Rough Rider Handrim, 26 in, Black, Short (Pair) (RB-S-BB-26)	1
14	9002545	BBraver - Rough Rider Handrim, 26 in, Black, Long (Pair) (RB-L-BB-26)	1

MAKE SURE TO HAVE YOUR SERIAL NUMBER  
 NEARBY WHEN ORDERING PARTS FOR YOUR  
 MOTION COMPOSITES WHEELCHAIR

**Rear Wheels Catalogue  
Handrim Hardwares**

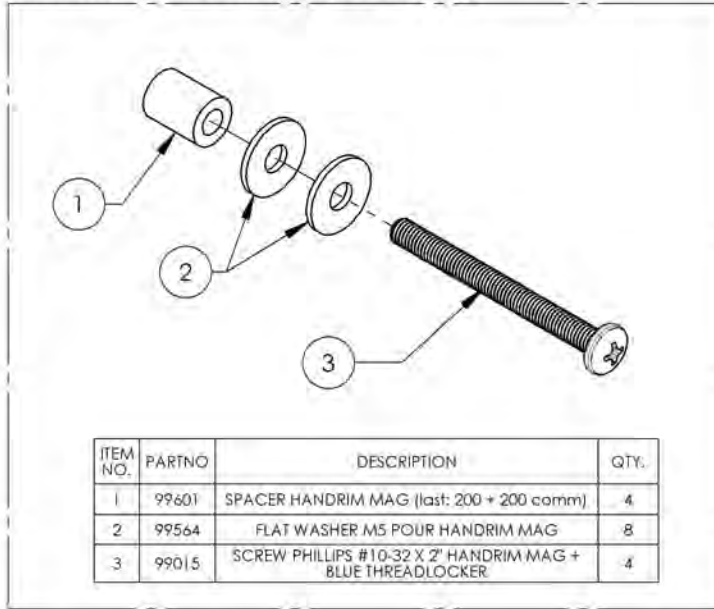
ITEM NO.	PARTNO	DESCRIPTION	QTY.
1	9001558	Handrim - Installation Hardware For Mag	1
2	9001559	Handrim - Installation Hardware For Newton One	1
3	9001560	Handrim - Installation Hardware For Newton Gravity, Spinergy LX, Spinergy SPOX	1



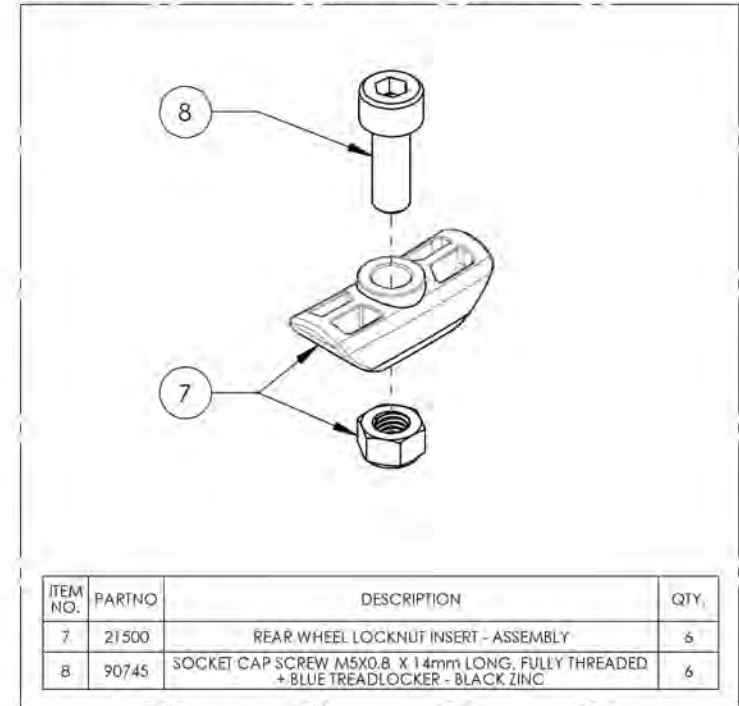
MAKE SURE TO HAVE YOUR SERIAL NUMBER  
NEARBY WHEN ORDERING PARTS FOR YOUR  
MOTION COMPOSITES WHEELCHAIR

**9001558\_9001560**  
**Handrim - Installation Hardware**

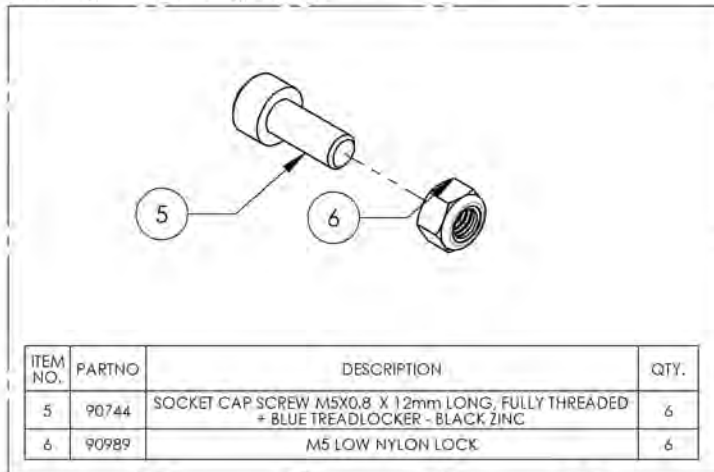
9001558  
 Handrim - Installation Hardware For Mag



9001559  
 Handrim - Installation Hardware For Newton One



9001560  
 Handrim - Installation Hardware For Newton Gravity, Spinergy LX, Spinergy SPOX

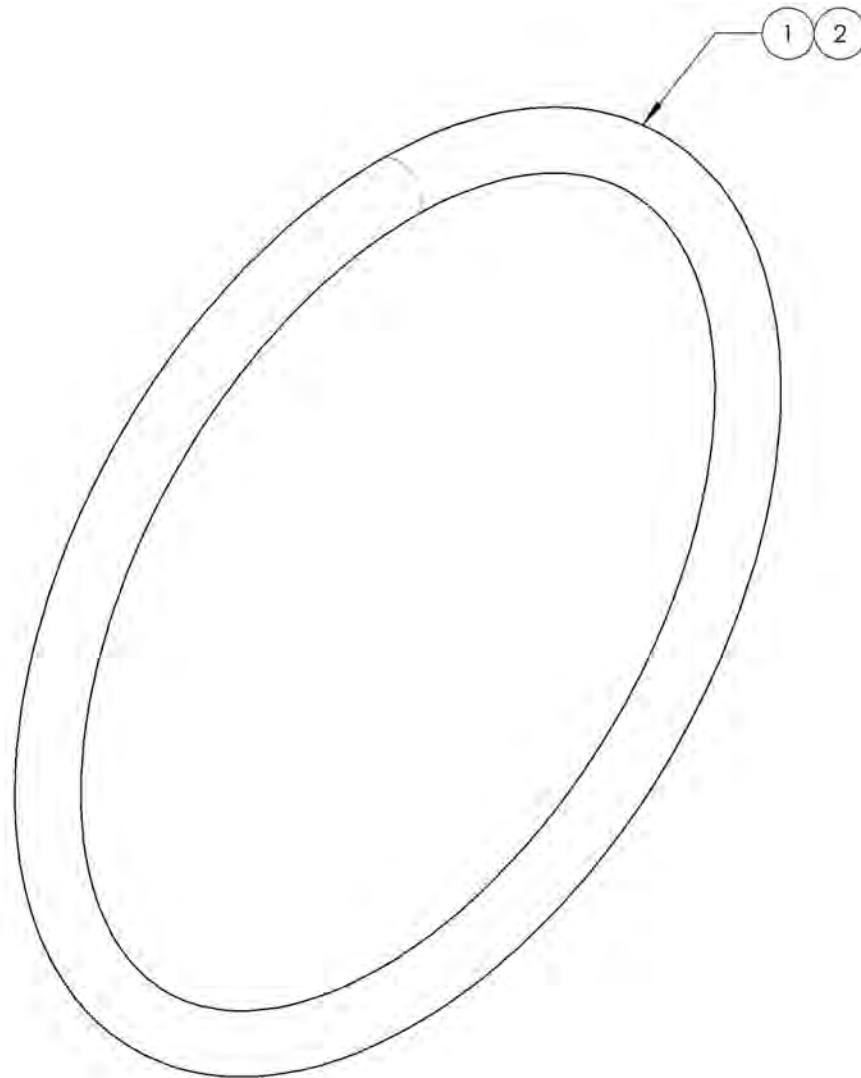


MAKE SURE TO HAVE YOUR SERIAL NUMBER NEARBY WHEN ORDERING PARTS FOR YOUR MOTION COMPOSITES WHEELCHAIR



**Rear Wheels Catalogue**  
**Flat Free Inserts for Pneumatics 1 3/8 in**

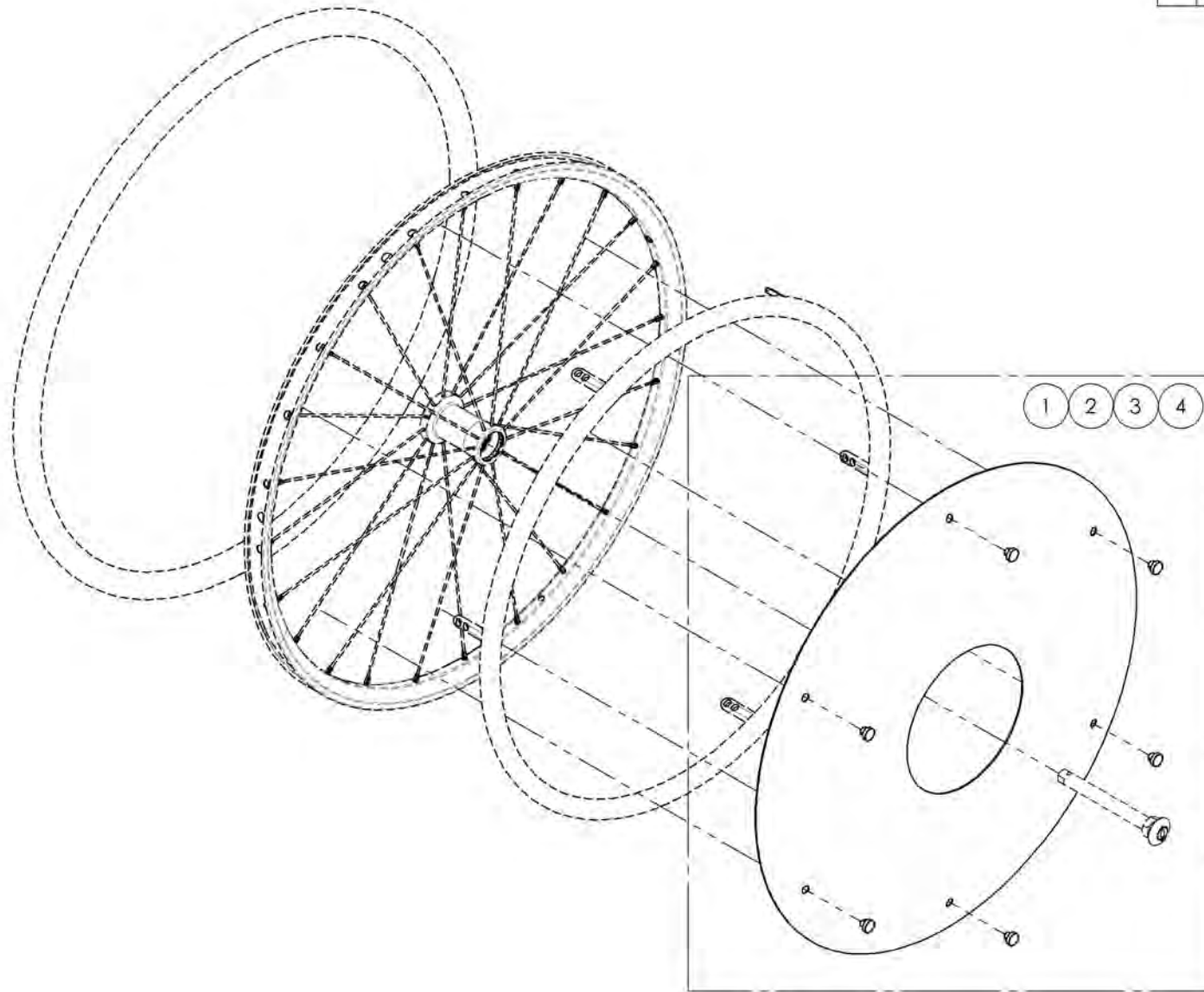
ITEM NO.	PARTNO	DESCRIPTION	QTY
1	9002409	Rear Wheel - Flat Free Insert, Pneumatic Tires 1 3/8 in, 22 in	1
2	9002410	Rear Wheel - Flat Free Insert, Pneumatic Tires 1 3/8 in, 24 in	1



MAKE SURE TO HAVE YOUR SERIAL NUMBER  
NEARBY WHEN ORDERING PARTS FOR YOUR  
MOTION COMPOSITES WHEELCHAIR

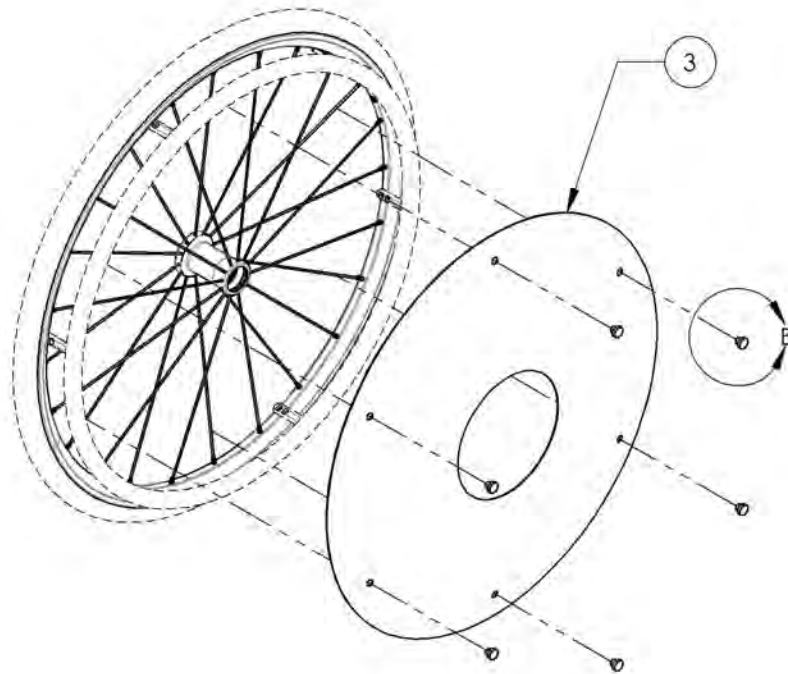
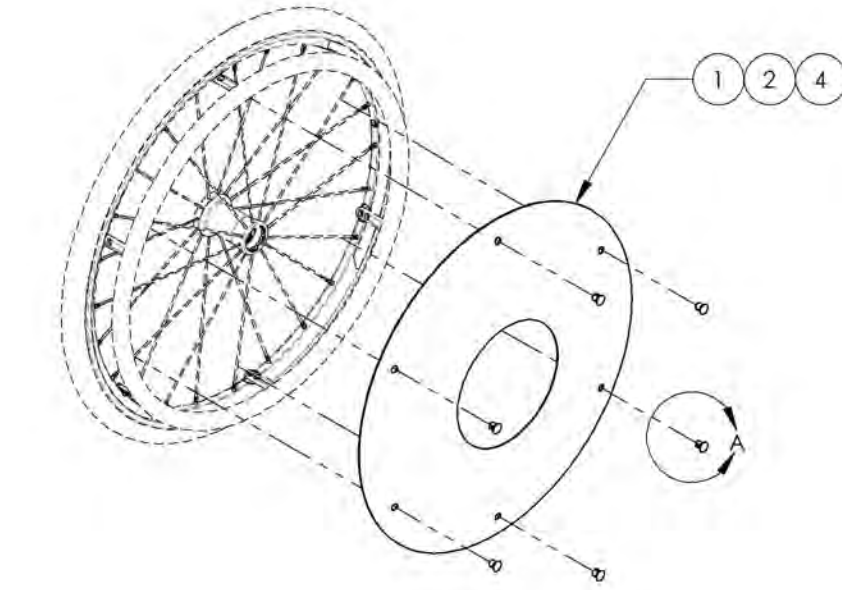
**Rear Wheels Catalogue  
Spoke Guards**

ITEM NO.	PARTNO	DESCRIPTION	QTY.
1	9001629	Spoke Guard - 20 in	1
2	9001630	Spoke Guard - 22 in	1
3	9001631	Spoke Guard - 24 in	1
4	9001632	Spoke Guard - 26 in	1

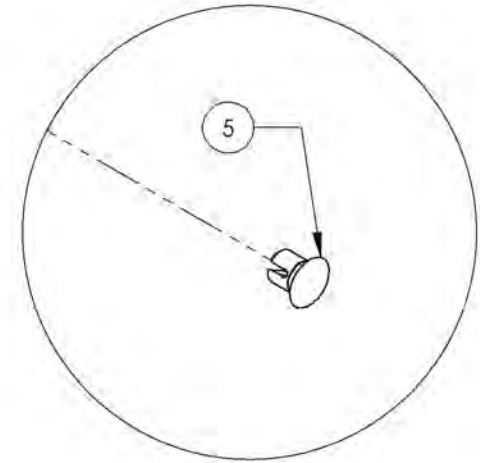


MAKE SURE TO HAVE YOUR SERIAL NUMBER  
NEARBY WHEN ORDERING PARTS FOR YOUR  
MOTION COMPOSITES WHEELCHAIR

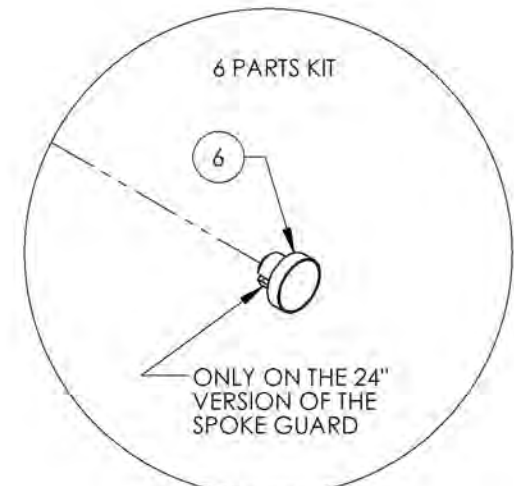
**9001629\_9001632  
Spoke Guards**



ITEM NO.	PARTNO	DESCRIPTION	9001629 /QTY.	9001630 /QTY.	9001631 /QTY.	9001632 /QTY.
1	51019	SPOKE GUARD 20"	1	-	-	-
2	51020	SPOKE GUARD 22"	-	1	-	-
3	51021	SPOKE GUARD 24"	-	-	1	-
4	51025	SPOKE GUARD 26"	-	-	-	1
5	51034	SPOKE SHIELD CLIP	6	6	-	6
6	51522	SPOKE SHIELD CLIP - KIT (6 UNIT)	-	-	1	-



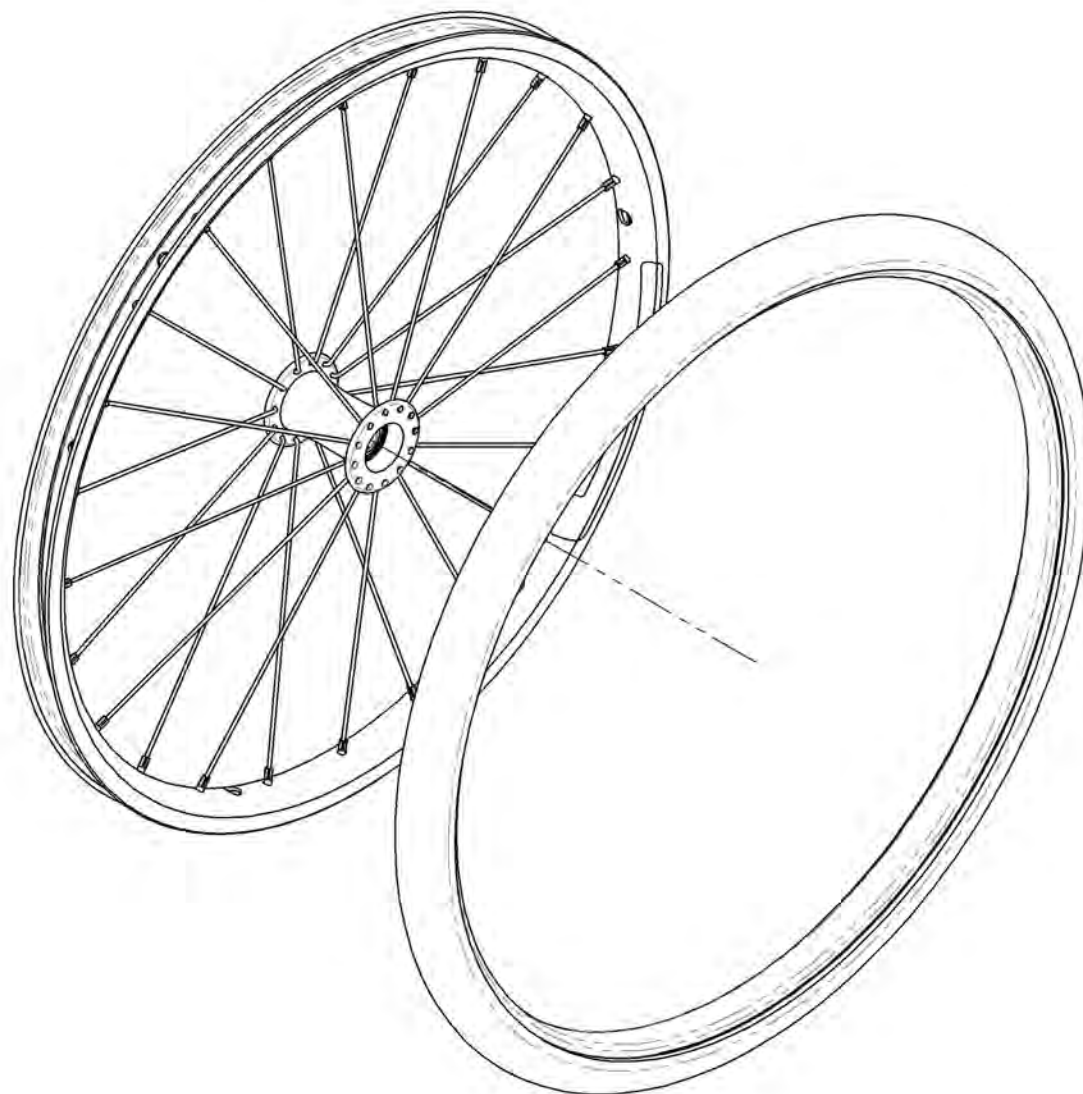
DETAIL A  
SCALE 5 : 8



DETAIL B  
SCALE 5 : 8

MAKE SURE TO HAVE YOUR SERIAL NUMBER NEARBY WHEN ORDERING PARTS FOR YOUR MOTION COMPOSITES WHEELCHAIR

**Rear Wheels Catalogue**  
**Rear Wheels + Tires**



ITEM NO.	PARTNO	DESCRIPTION	QTY
1	9002499	Rear Wheel - Newton One + Soft Urethane Tire 20 in	1
2	9002500	Rear Wheel - Newton One + Soft Urethane Tire 22 in	1
3	9002501	Rear Wheel - Newton One + Soft Urethane Tire 24 in	1
4	9002502	Rear Wheel - Newton Gravity + Soft Urethane Tire 20 in	1
5	9002503	Rear Wheel - Newton Gravity + Soft Urethane Tire 22 in	1
6	9002504	Rear Wheel - Newton One + Soft Urethane Tire 20 in	1
7	9002497	Rear Wheel - Newton One + HP, 20 in	1
8	9002505	Rear Wheel - Newton One + HP, 22 in	1
9	9002506	Rear Wheel - Newton One + HP, 24 in	1
10	9002507	Rear Wheel - Newton Gravity + HP, 20 in	1
11	9002508	Rear Wheel - Newton Gravity + HP, 22 in	1
12	9002509	Rear Wheel - Newton Gravity + HP, 24 in	1
13	9002519	Rear Wheel - Newton Gravity + HP, 25 in	1
14	9002510	Rear Wheel - Newton Gravity + HP, 26 in	1
15	9002498	Rear Wheel - Newton One + Standard Pressure, 20 in	1
16	9002511	Rear Wheel - Newton One + Standard Pressure, 22 in	1
17	9002512	Rear Wheel - Newton One + Standard Pressure, 24 in	1
18	9002513	Rear Wheel - Newton Gravity + Standard Pressure, 20 in	1
19	9002514	Rear Wheel - Newton Gravity + Standard Pressure, 22 in	1
20	9002515	Rear Wheel - Newton Gravity + Standard Pressure, 24 in	1
21	9002520	Rear Wheel - Newton Gravity + Standard Pressure, 25 in	1
22	9002516	Rear Wheel - Newton Gravity + Standard Pressure, 26 in	1

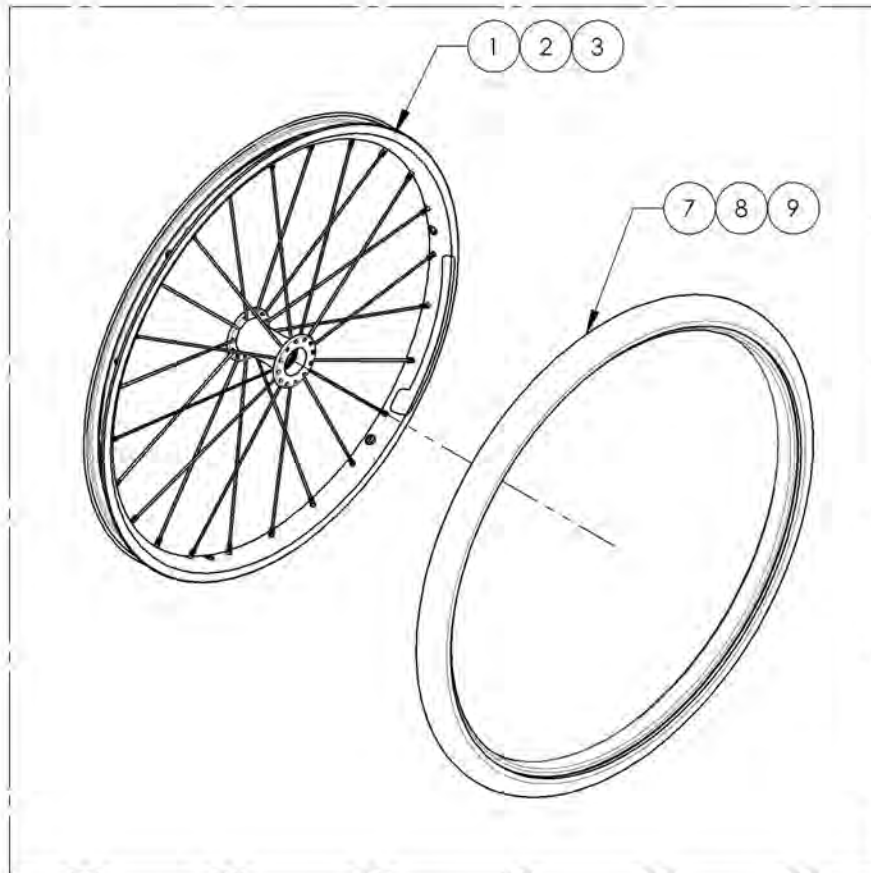
**BEARING REPLACEMENT**  
**FOR ALL REAR WHEELS**  
 Part#: **22011**

MAKE SURE TO HAVE YOUR SERIAL NUMBER  
 NEARBY WHEN ORDERING PARTS FOR YOUR  
 MOTION COMPOSITES WHEELCHAIR

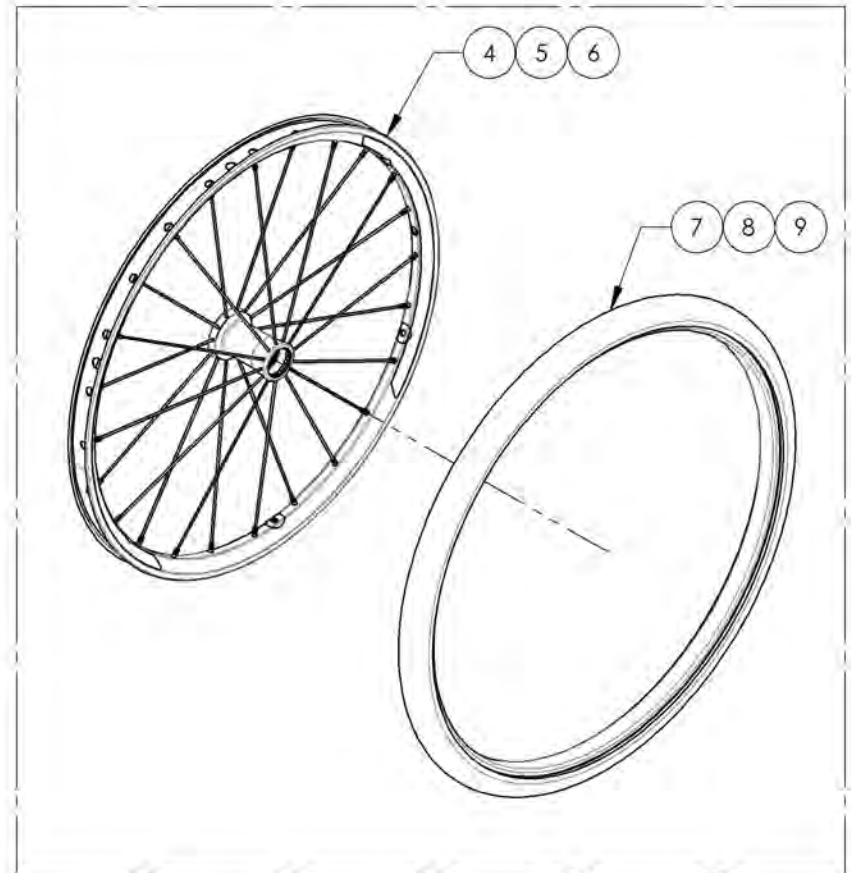
**9002499\_9002504**  
**Rear Wheel + Soft Urethane Tire**

ITEM NO.	PARTNO	DESCRIPTION	9002499 /QTY.	9002500 /QTY.	9002501 /QTY.	9002502 /QTY.	9002503 /QTY.	9002504 /QTY.
1	21118	20 in NEWTON ONE WHEEL	1	-	-	-	-	-
2	21110	22 in NEWTON ONE WHEEL	-	1	-	-	-	-
3	21111	24 in NEWTON ONE WHEEL	-	-	1	-	-	-
4	21113	20" NEWTON GRAVITY WHEEL	-	-	-	1	-	-
5	21114	22" NEWTON GRAVITY WHEEL	-	-	-	-	1	-
6	21115	24" NEWTON GRAVITY WHEEL	-	-	-	-	-	1
7	21365	20" URETHANE TIRE	1	-	-	1	-	-
8	21366	22" URETHANE TIRE	-	1	-	-	1	-
9	21367	24" URETHANE TIRE	-	-	1	-	-	1

**NEWTON ONE**  
 9002499, 9002500 & 9002501

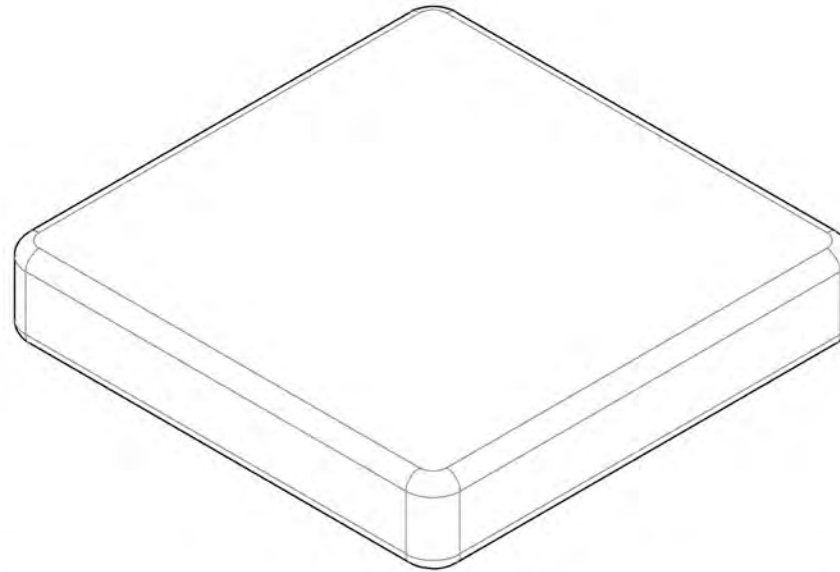


**NEWTON GRAVITY**  
 9002502, 9002503 & 9002504



MAKE SURE TO HAVE YOUR SERIAL NUMBER  
 NEARBY WHEN ORDERING PARTS FOR YOUR  
 MOTION COMPOSITES WHEELCHAIR

**9002033 9002131**  
**Cushion 3 in with Velcro Loop (Specify Size)**



**3 in CUSHIONS PART NUMBERS FOR THE APPROPRIATE LENGTH AND WIDTH**

		LENGTH in inches (cm)								
		12 (30.5)	13 (33.0)	14 (35.6)	15 (38.1)	16 (40.6)	17 (43.2)	18 (45.7)	19 (48.3)	20 (50.8)
<b>WIDTH</b> in inches (cm)	12 (30.5)	9002033	9002034	9002035	9002036	9002037	9002038	9002039	9002040	9002041
	13 (33.0)	9002042	9002043	9002044	9002045	9002046	9002047	9002048	9002049	9002050
	14 (35.6)	9002051	9002052	9002053	9002054	9002055	9002056	9002057	9002058	9002059
	15 (38.1)	9002060	9002061	9002062	9002063	9002064	9002065	9002066	9002067	9002068
	16 (40.6)	9002069	9002070	9002071	9002072	9002073	9002074	9002075	9002076	9002077
	17 (43.2)	9002078	9002079	9002080	9002081	9002082	9002083	9002084	9002085	9002086
	18 (45.7)	9002087	9002088	9002089	9002090	9002091	9002092	9002093	9002094	9002095
	19 (48.3)	9002096	9002097	9002098	9002099	9002100	9002101	9002102	9002103	9002104
	20 (50.8)	9002105	9002106	9002107	9002108	9002109	9002110	9002111	9002112	9002113
	21 (53.3)	9002114	9002115	9002116	9002117	9002118	9002119	9002120	9002121	9002122
22 (55.9)	9002123	9002124	9002125	9002126	9002127	9002128	9002129	9002130	9002131	

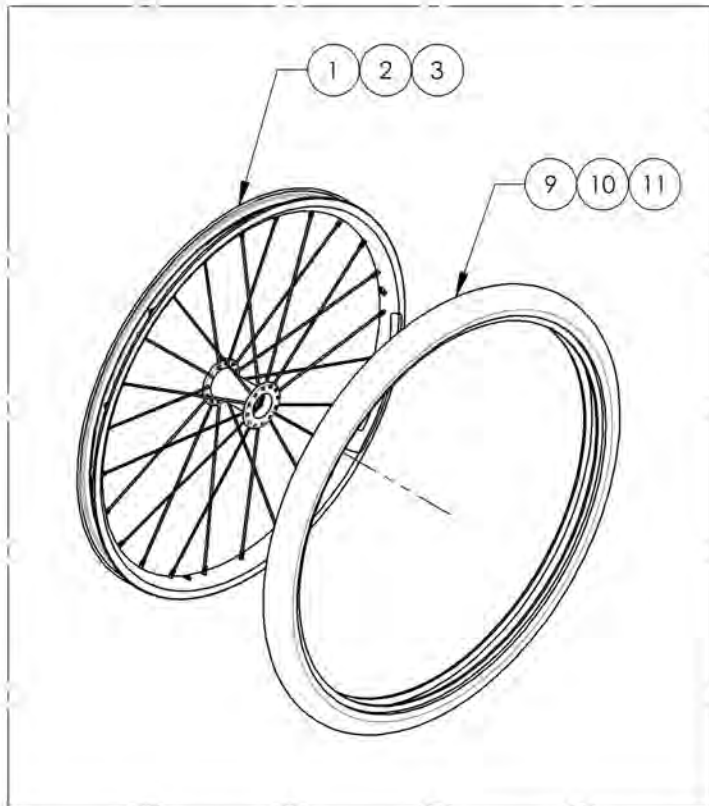
MAKE SURE TO HAVE YOUR SERIAL NUMBER  
 NEARBY WHEN ORDERING PARTS FOR YOUR  
 MOTION COMPOSITES WHEELCHAIR

**9002498 & 9002511 9002516 & 9002520**  
**Rear Wheel + Standard Pressure Tire**

ITEM NO.	PARTNO	DESCRIPTION	9002498 /QTY.	9002511 /QTY.	9002512 /QTY.	9002513 /QTY.	9002514 /QTY.	9002515 /QTY.	9002520 /QTY.	9002516 /QTY.
1	21118	20 in NEWTON ONE WHEEL	1	-	-	-	-	-	-	-
2	21110	22 in NEWTON ONE WHEEL	-	1	-	-	-	-	-	-
3	21111	24 in NEWTON ONE WHEEL	-	-	1	-	-	-	-	-
4	21113	20" NEWTON GRAVITY WHEEL	-	-	-	1	-	-	-	-
5	21114	22" NEWTON GRAVITY WHEEL	-	-	-	-	1	-	-	-
6	21115	24" NEWTON GRAVITY WHEEL	-	-	-	-	-	1	-	-
7	21116	25" NEWTON GRAVITY WHEEL	-	-	-	-	-	-	1	-
8	21117	26" NEWTON GRAVITY WHEEL	-	-	-	-	-	-	-	1
9	21315	20"x1 3/8" PNEUMATIC TIRE	1	-	-	1	-	-	-	-
10	21316	22"x1 3/8" PNEUMATIC TIRE	-	1	-	-	1	-	-	-
11	21317	24"x1 3/8" PNEUMATIC TIRE	-	-	1	-	-	1	-	-
12	21318	25"x1 3/8" PNEUMATIC TIRE	-	-	-	-	-	-	1	-
13	21319	26"x1 3/8" PNEUMATIC TIRE	-	-	-	-	-	-	-	1

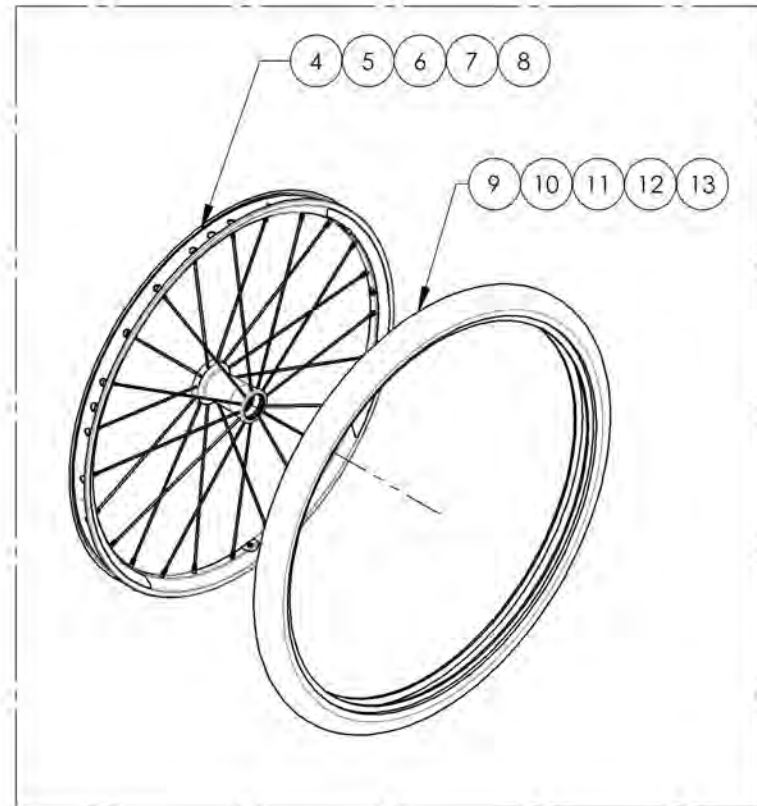
**NEWTON ONE**

9002498, 9002511 & 9002512



**NEWTON GRAVITY**

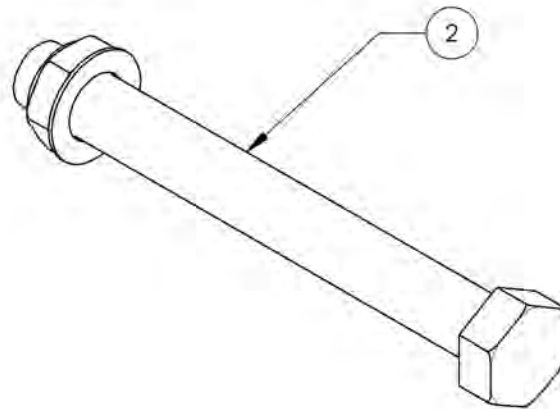
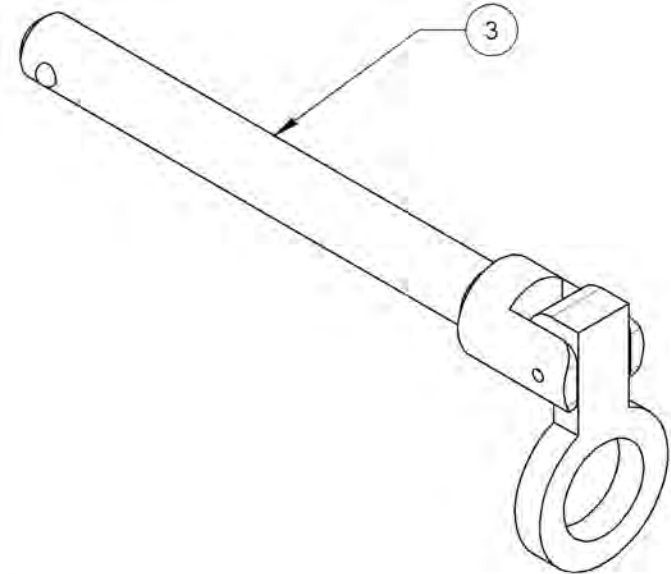
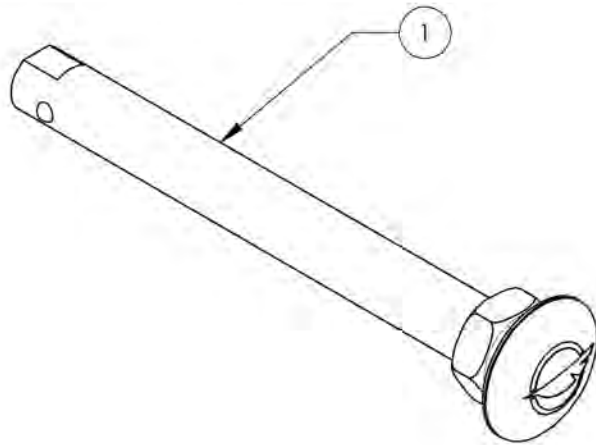
9002513, 9002514, 9002515, 9002520 & 9002516



MAKE SURE TO HAVE YOUR SERIAL NUMBER NEARBY WHEN ORDERING PARTS FOR YOUR MOTION COMPOSITES WHEELCHAIR

**Rear Wheels Catalogue**  
**Quick Release & Permanent Axles**

ITEM NO.	PARTNO	DESCRIPTION	QTY.
1	9001561	Wheel Axle - Quick Release	1
2	9001562	Wheel Axle - Permanent	1
3	9001563	Wheel Axle - Quad Release	1

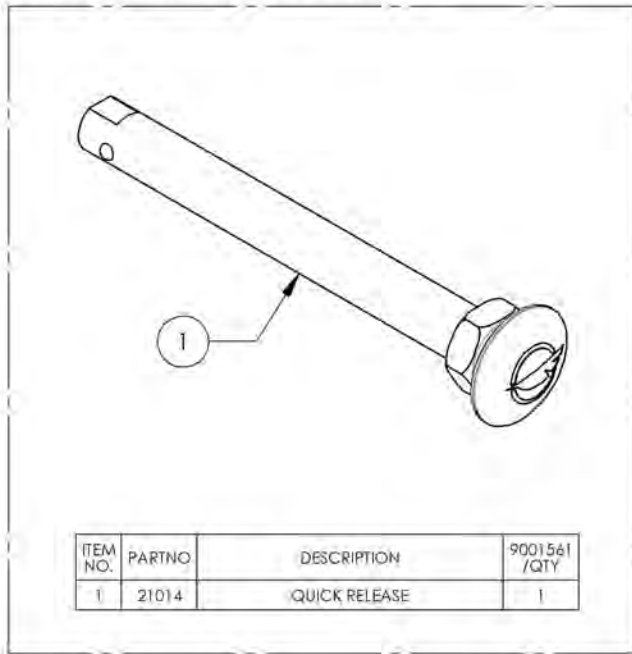


MAKE SURE TO HAVE YOUR SERIAL NUMBER  
NEARBY WHEN ORDERING PARTS FOR YOUR  
MOTION COMPOSITES WHEELCHAIR

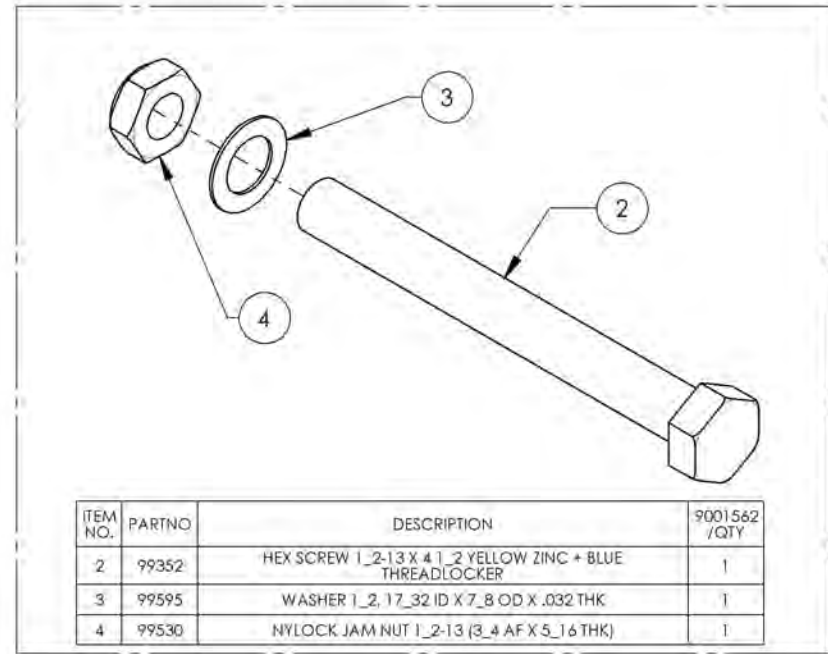


**9001561\_9001563**  
**Wheel Axles**

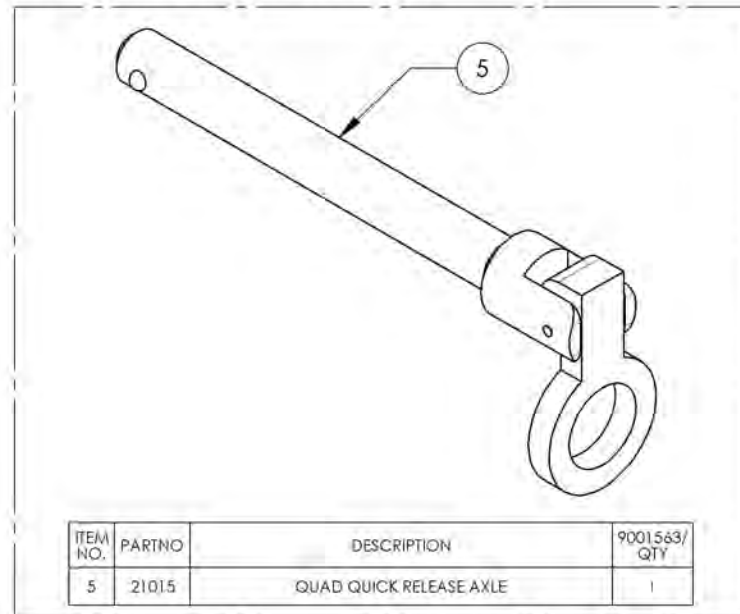
9001561 - Wheel Axle - Quick Release



9001562 - Wheel Axle - Permanent



9001563 - Wheel Axle - Quad Release



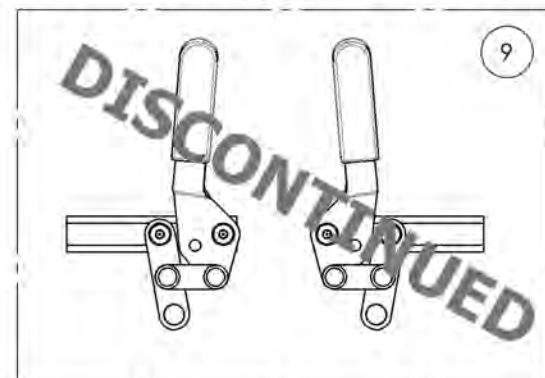
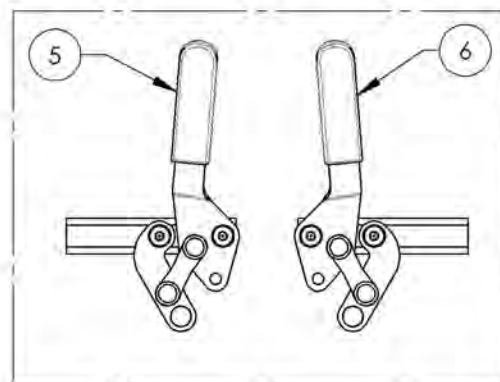
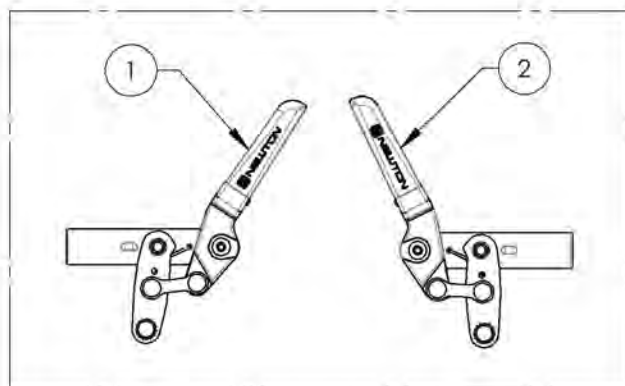
MAKE SURE TO HAVE YOUR SERIAL NUMBER NEARBY WHEN ORDERING PARTS FOR YOUR MOTION COMPOSITES WHEELCHAIR

**Brakes Catalogue**  
**Wheel Locks - Push & Pull**

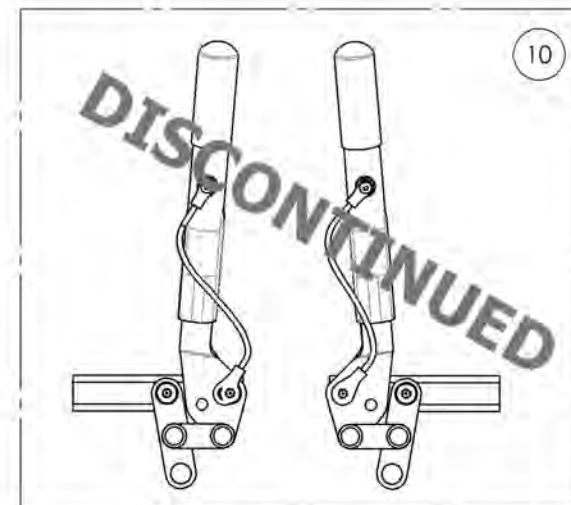
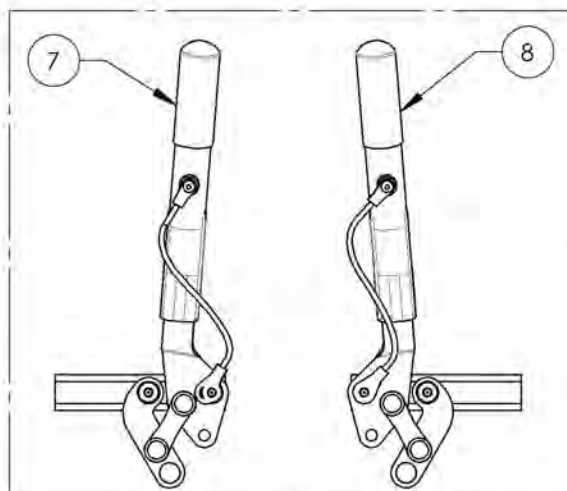
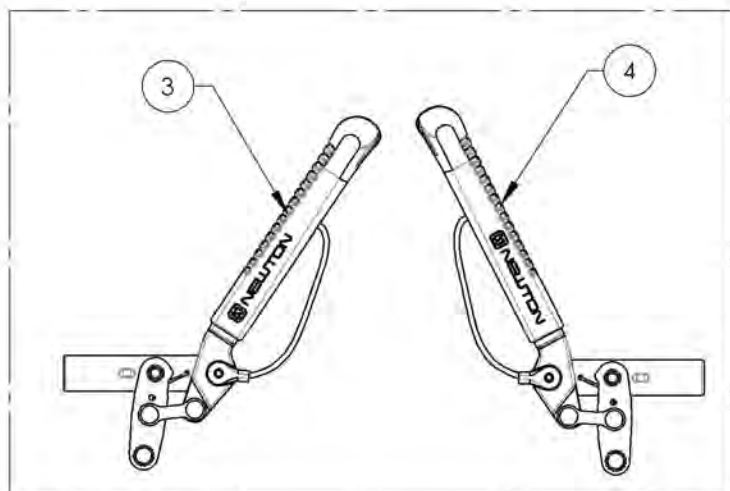
ITEM NO.	PARTNO	DESCRIPTION	QTY.
1	9002216	Wheel Lock - Newton Spring Loaded Push to lock, Right	1
2	9002217	Wheel Lock - Newton Spring Loaded Push to lock, Left	1
3	9002218	Wheel Lock - Newton Spring Loaded Push to lock, & in Removable Extension Handle, Right	1
4	9002219	Wheel Lock - Newton Spring Loaded Push to lock, & in Removable Extension Handle, Left	1
5	9001128	Wheel Lock - Pull to Lock, Right	1
6	9001129	Wheel Lock - Pull to Lock, Left	1
7	9001130	Wheel Lock - Pull to Lock, & in Removable Extension Handle, Right	1
8	9001131	Wheel Lock - Pull to Lock, & in Removable Extension Handle, Left	1
9	9001573	Wheel Lock - Push to Lock, & in Removable Extension Handle, Right	1
10	9001575	Wheel Lock - Push to Lock, & in Removable Extension Handle, Left	1

**DISCONTINUED**

**REPLACED BY #9002216 & #9002217**



**REPLACED BY #9002218 & #9002219**

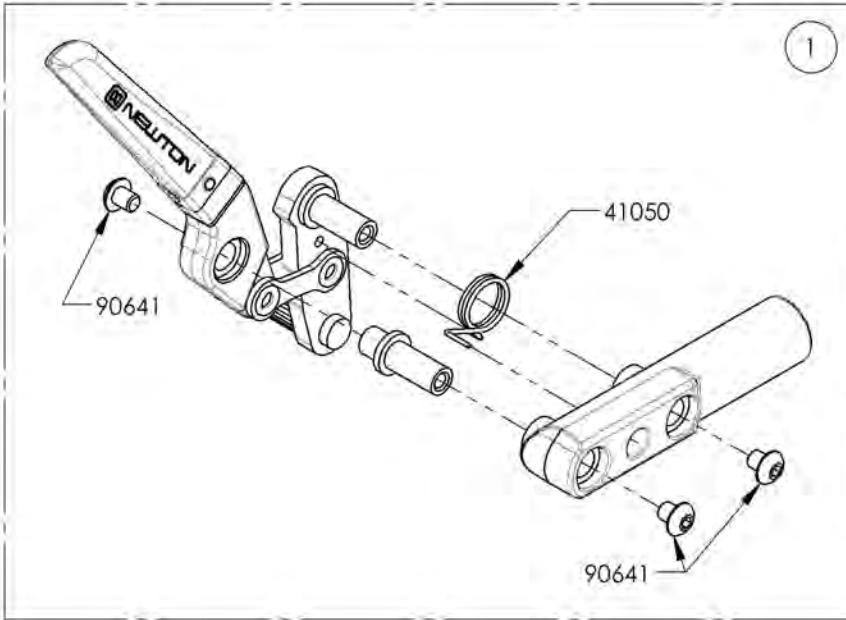


MAKE SURE TO HAVE YOUR SERIAL NUMBER  
 NEARBY WHEN ORDERING PARTS FOR YOUR  
 MOTION COMPOSITES WHEELCHAIR

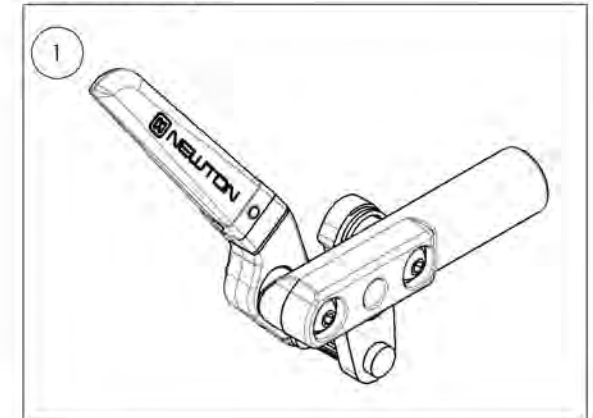
**9002216\_9002217**

**Wheel Lock - Newton Spring Loaded Push to lock**

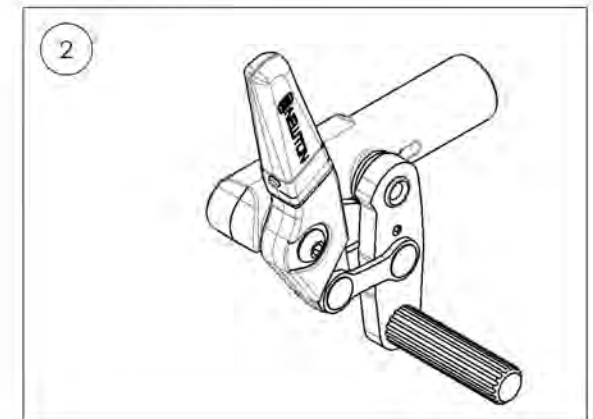
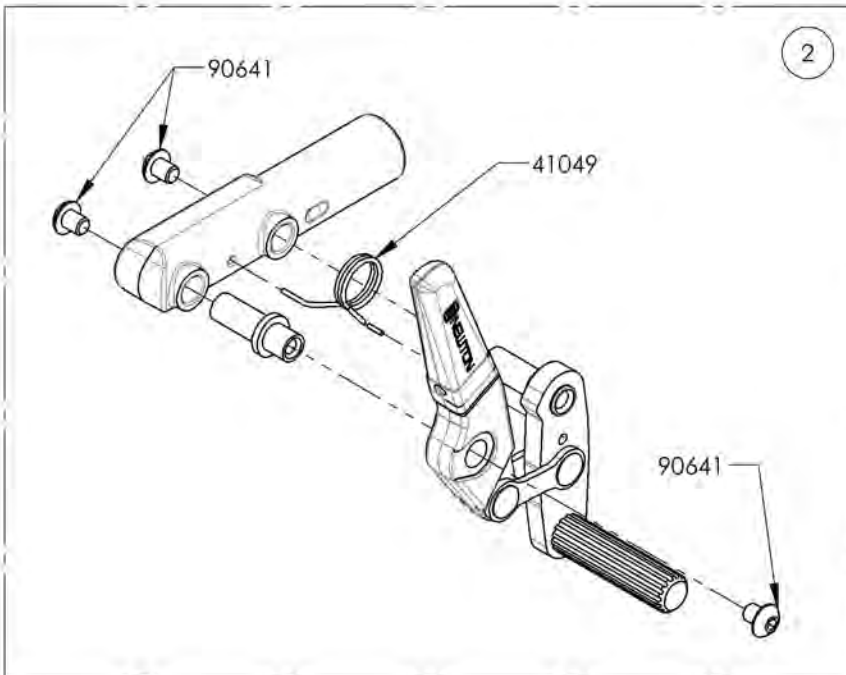
ITEM NO.	PARTNO	DESCRIPTION	9002216 /QTY.	9002217 /QTY.
1	41057	PUSH SPRING WHEEL LOCK RIGHT - ASSEMBLY	1	-
2	41056	PUSH SPRING WHEEL LOCK LEFT - ASSEMBLY	-	1



9002216  
Wheel Lock - Newton Spring Loaded  
Push to lock, Right



9002217  
Wheel Lock - Newton Spring Loaded  
Push to lock, Left

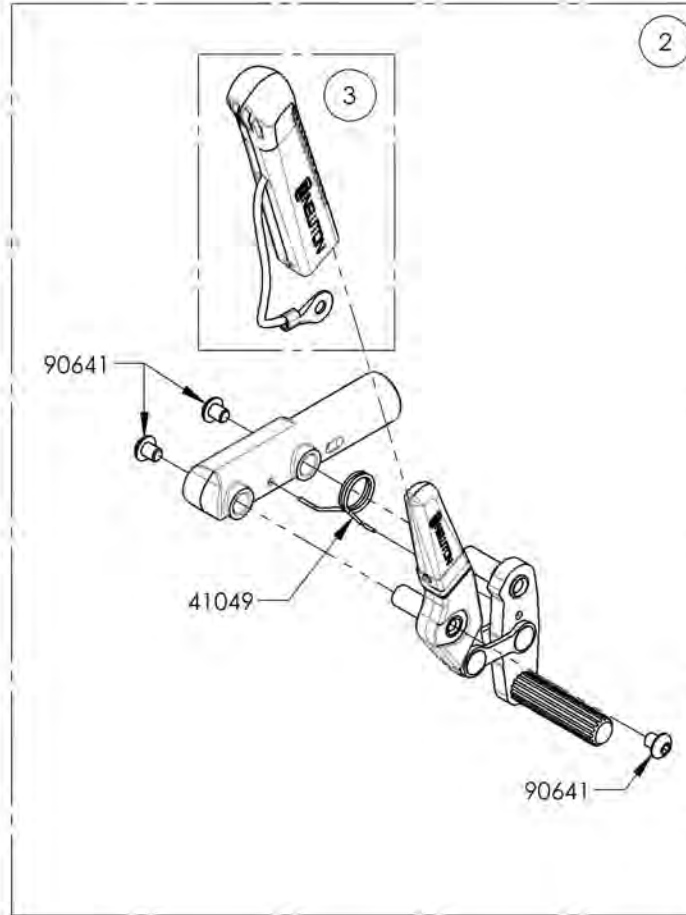
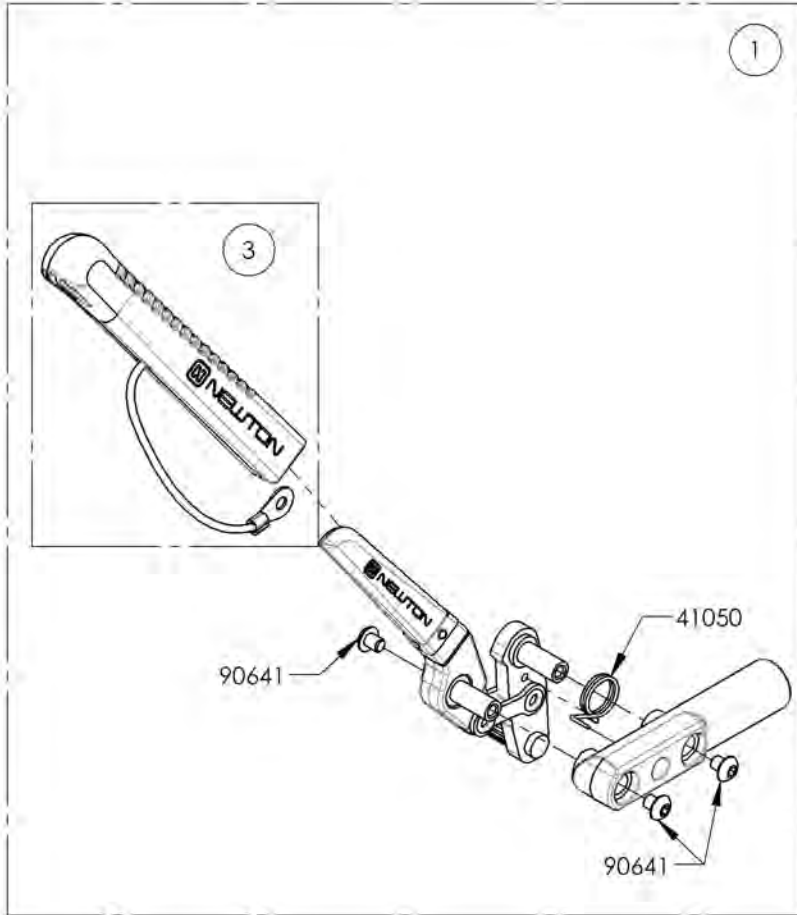


MAKE SURE TO HAVE YOUR SERIAL NUMBER  
NEARBY WHEN ORDERING PARTS FOR YOUR  
MOTION COMPOSITES WHEELCHAIR

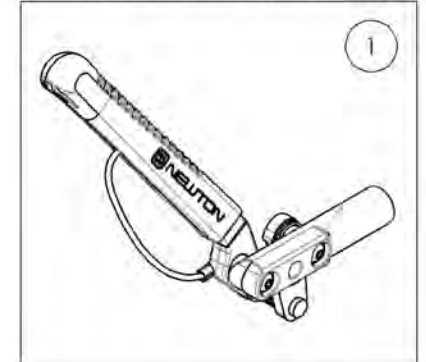
**9002218\_9002219**

**Wheel Lock - Newton Spring Loaded Push to lock, 6 in Removable Extension Handle**

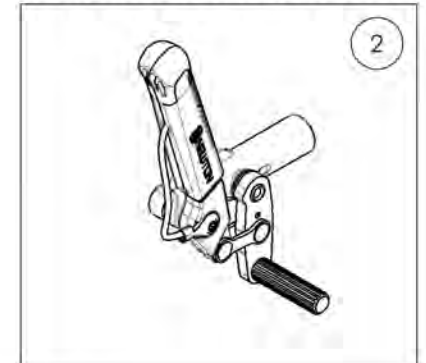
ITEM NO.	PARTNO	DESCRIPTION	9002218 /QTY.	9002219 /QTY.	REPLACEMENT PARTS/QTY.
1	41052	PUSH SPRING WHEEL LOCK RIGHT + EXTENSION - ASSEMBLY	1	-	-
2	41051	PUSH SPRING WHEEL LOCK LEFT + EXTENSION - ASSEMBLY	-	1	-
3	41500	NEWTON REMOVABLE EXTENSION HANDLE - ASSEMBLY	-	-	1



9002218  
Wheel Lock - Newton Spring Loaded Push to lock, 6 in Removable Extension Handle, Right



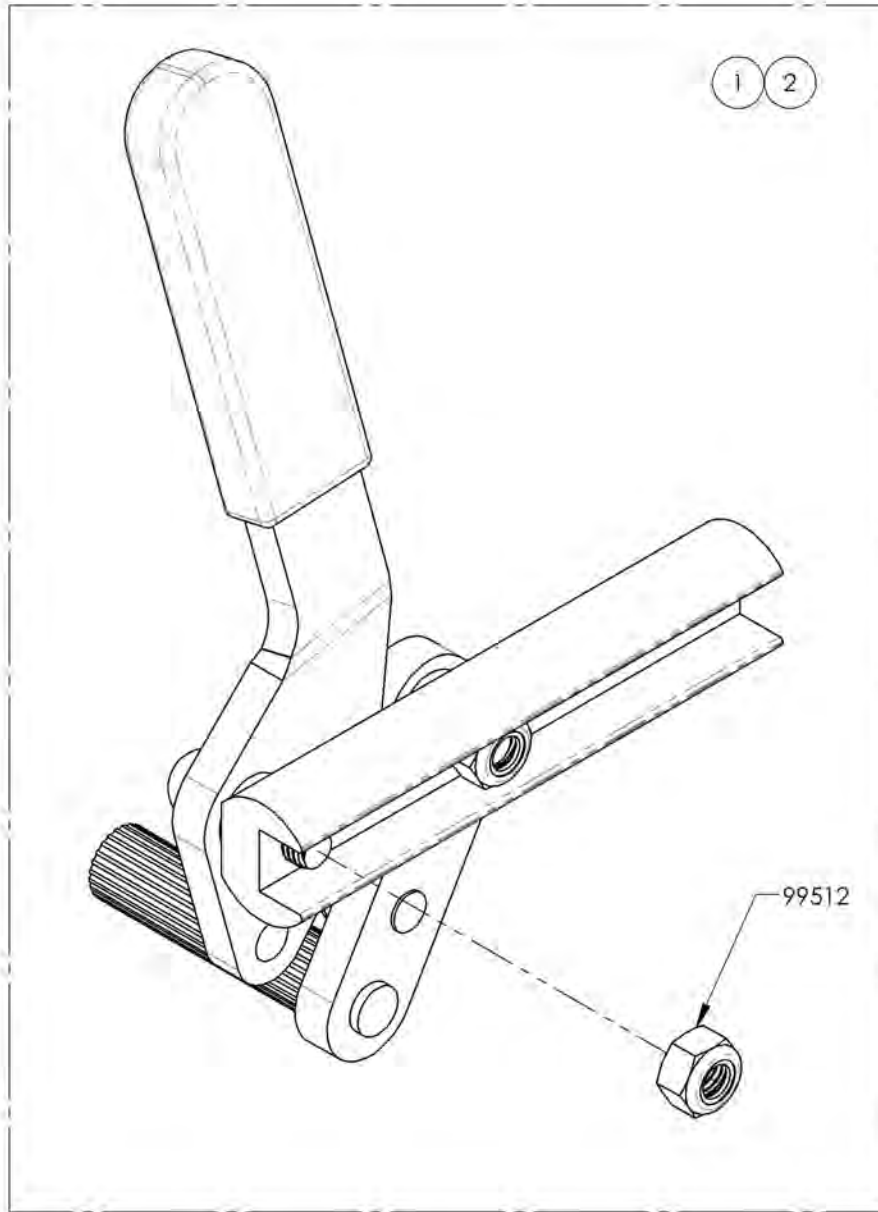
9002219  
Wheel Lock - Newton Spring Loaded Push to lock, 6 in Removable Extension Handle, Left



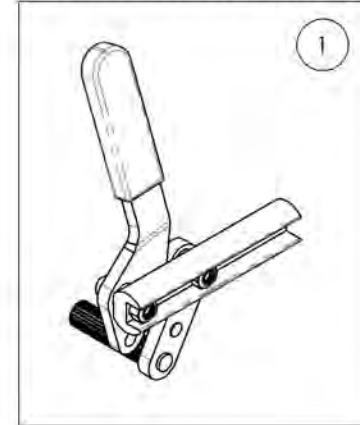
MAKE SURE TO HAVE YOUR SERIAL NUMBER NEARBY WHEN ORDERING PARTS FOR YOUR MOTION COMPOSITES WHEELCHAIR

**9001128\_9001129**  
**Wheel Lock - Pull to Lock**

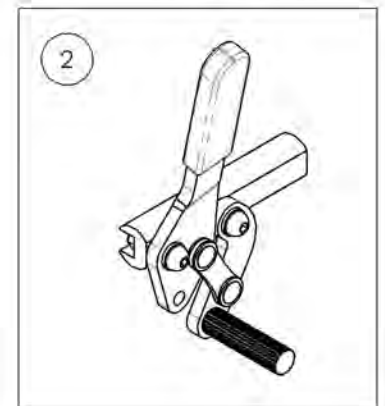
ITEM NO.	PARTNO	DESCRIPTION	9001128 /QTY.	9001129 /QTY.
1	41078	PULL TO LOCK WHEEL LOCK, RIGHT	1	-
2	41079	PULL TO LOCK WHEEL LOCK, LEFT	-	1



9001128  
 Wheel Lock - Pull to Lock, Right



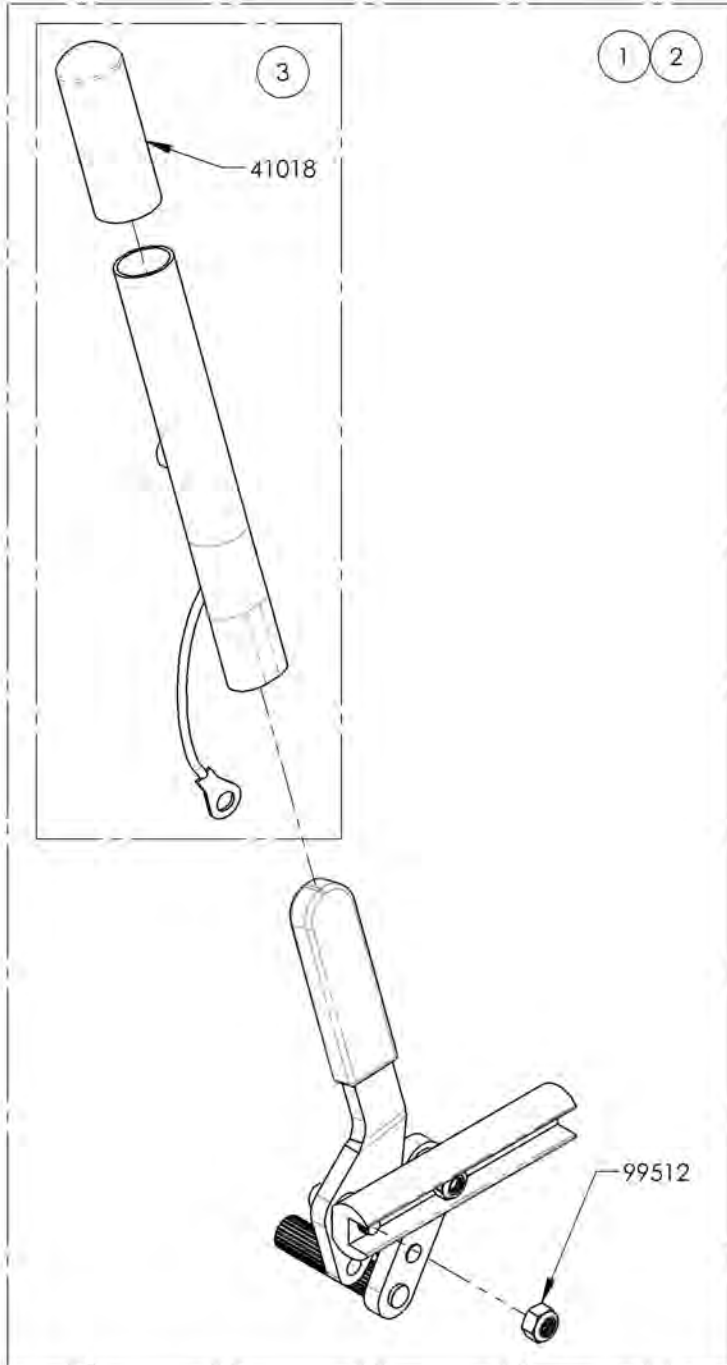
9001129  
 Wheel Lock - Pull to Lock, Left



MAKE SURE TO HAVE YOUR SERIAL NUMBER  
 NEARBY WHEN ORDERING PARTS FOR YOUR  
 MOTION COMPOSITES WHEELCHAIR

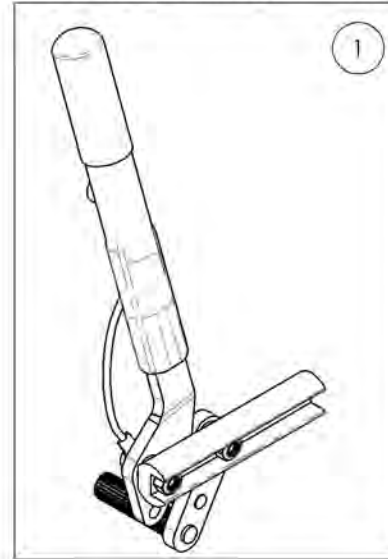
**9001130\_9001131**

**Wheel Lock - Pull to Lock, 6 in Removable Extension Handle**

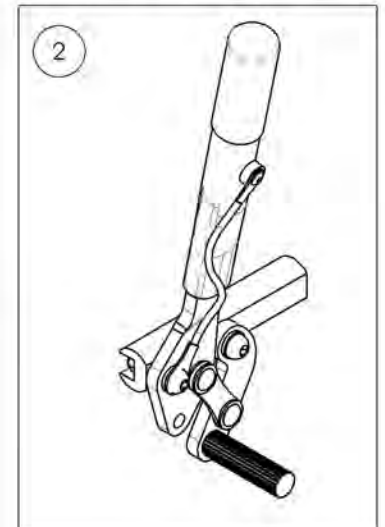


ITEM NO.	PARTNO	DESCRIPTION	9001130 /QTY.	9001131 /QTY.	REPLACEMENT PARTS/QTY.
1	41080	PULL TO LOCK WHEEL LOCK + EXTENSION, RIGHT	1	-	-
2	41081	PULL TO LOCK WHEEL LOCK + EXTENSION, LEFT	-	1	-
3	41005	REMOVABLE EXTENSION HANDLE	-	-	1

9001130  
Wheel Lock - Pull to Lock, 6 in  
Removable Extension Handle, Right



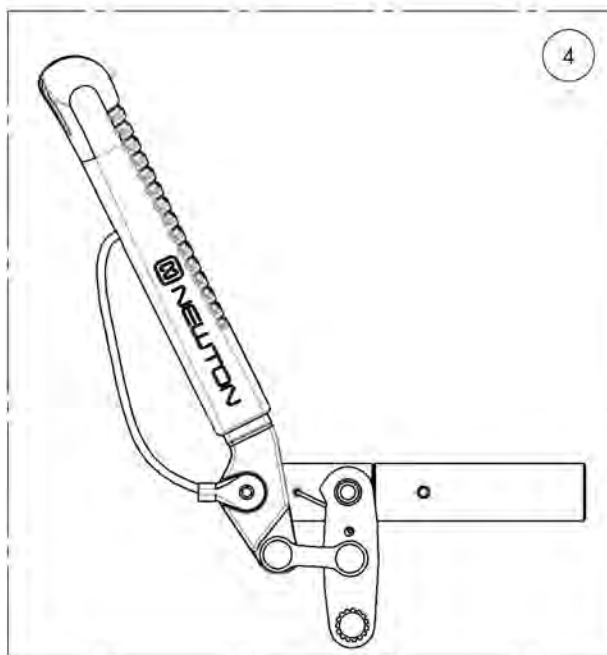
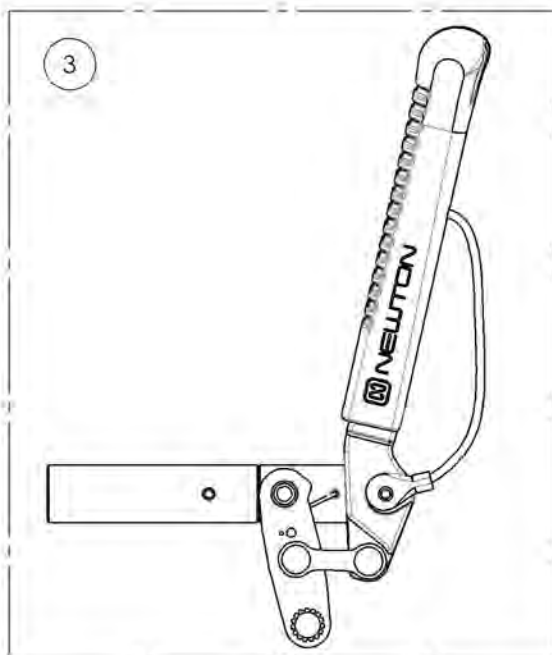
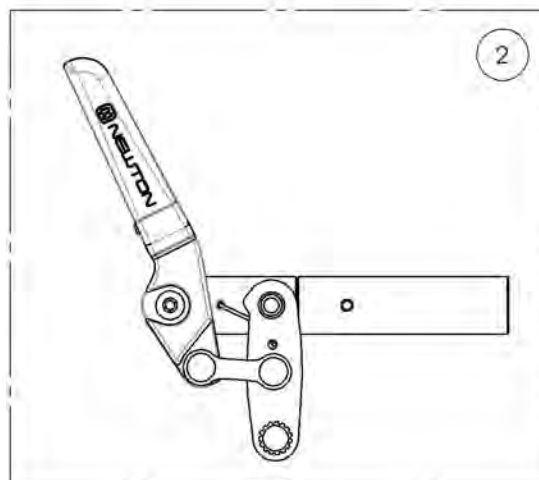
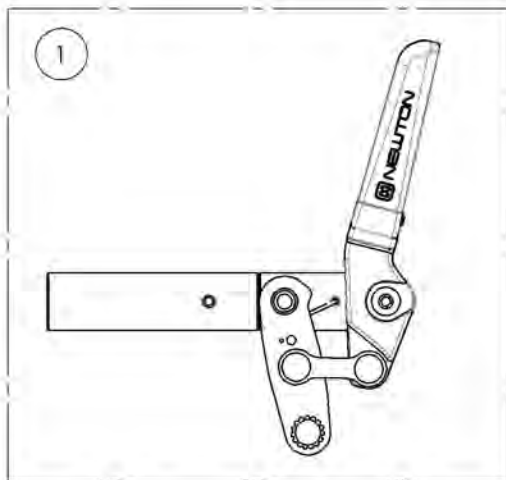
9001131  
Wheel Lock - Pull to Lock, 6 in  
Removable Extension Handle, Left



MAKE SURE TO HAVE YOUR SERIAL NUMBER  
NEARBY WHEN ORDERING PARTS FOR YOUR  
MOTION COMPOSITES WHEELCHAIR

**Brakes Catalogue**  
**Wheel Locks - Push with Extended Rail**

ITEM NO.	PARTNO	DESCRIPTION	QTY.
1	9003025	Wheel Lock - Newton Spring Loaded Push to Lock, Extended Rail, Right	1
2	9003026	Wheel Lock - Newton Spring Loaded Push to Lock, Extended Rail, Left	1
3	9003027	Wheel Lock - Newton Spring Loaded Push to Lock, Extended Rail, 6 in Removable Extension Handle, Right	1
4	9003028	Wheel Lock - Newton Spring Loaded Push to Lock, Extended Rail, 6 in Removable Extension Handle, Left	1

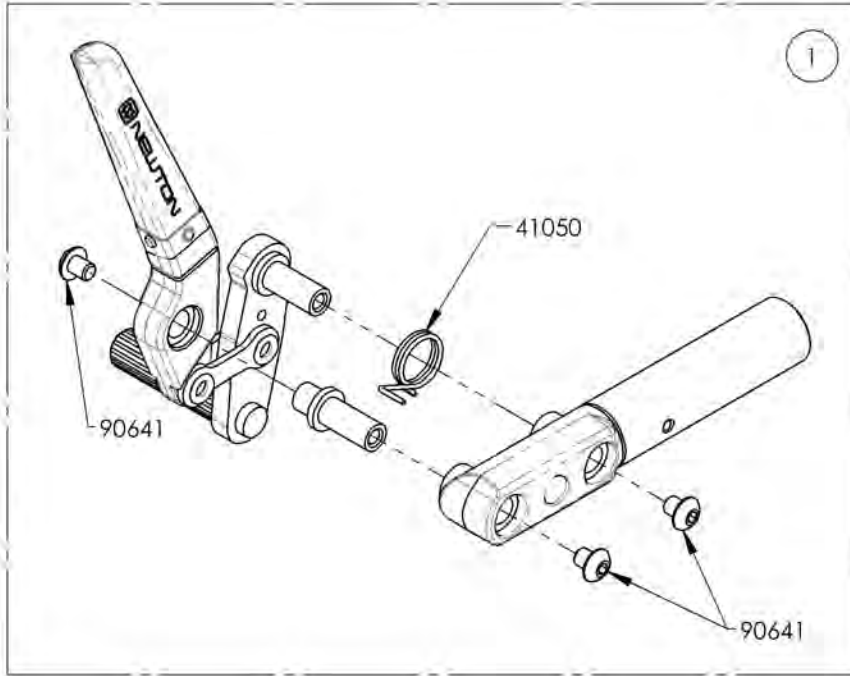


MAKE SURE TO HAVE YOUR SERIAL NUMBER  
 NEARBY WHEN ORDERING PARTS FOR YOUR  
 MOTION COMPOSITES WHEELCHAIR

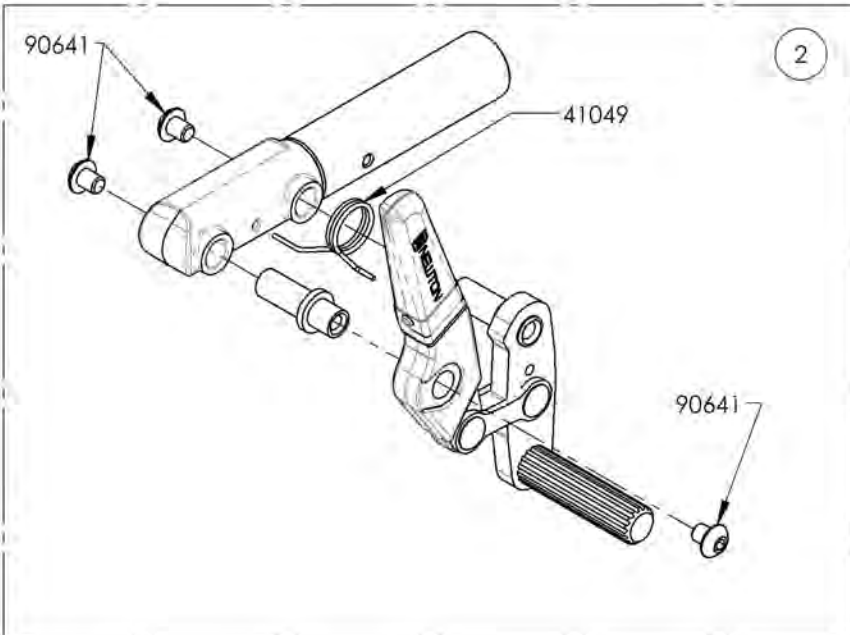
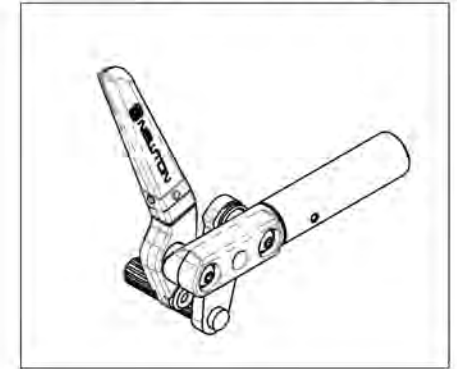
**9003025\_9003026**

**Wheel Lock - Newton Spring Loaded Push to Lock, Extended Rail**

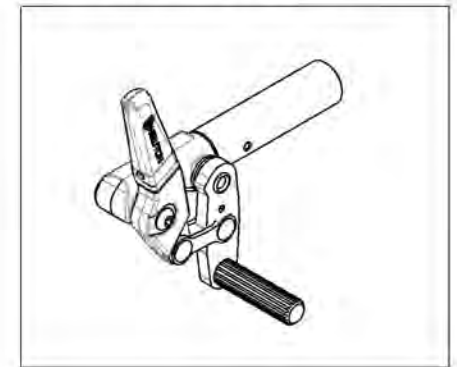
ITEM NO.	PARTNO	DESCRIPTION	9003025 /QTY.	9003026 /QTY.
1	41516	NEWTON PUSH SPRING WHEEL LOCK WITH EXTENDED RAIL, RIGHT - ASSEMBLY	1	-
2	41517	NEWTON PUSH SPRING WHEEL LOCK WITH EXTENDED RAIL, LEFT - ASSEMBLY	-	1



9003025  
Wheel Lock - Newton Spring Loaded  
Push to Lock, Extended Rail, Right



9003026  
Wheel Lock - Newton Spring Loaded  
Push to Lock, Extended Rail, Left



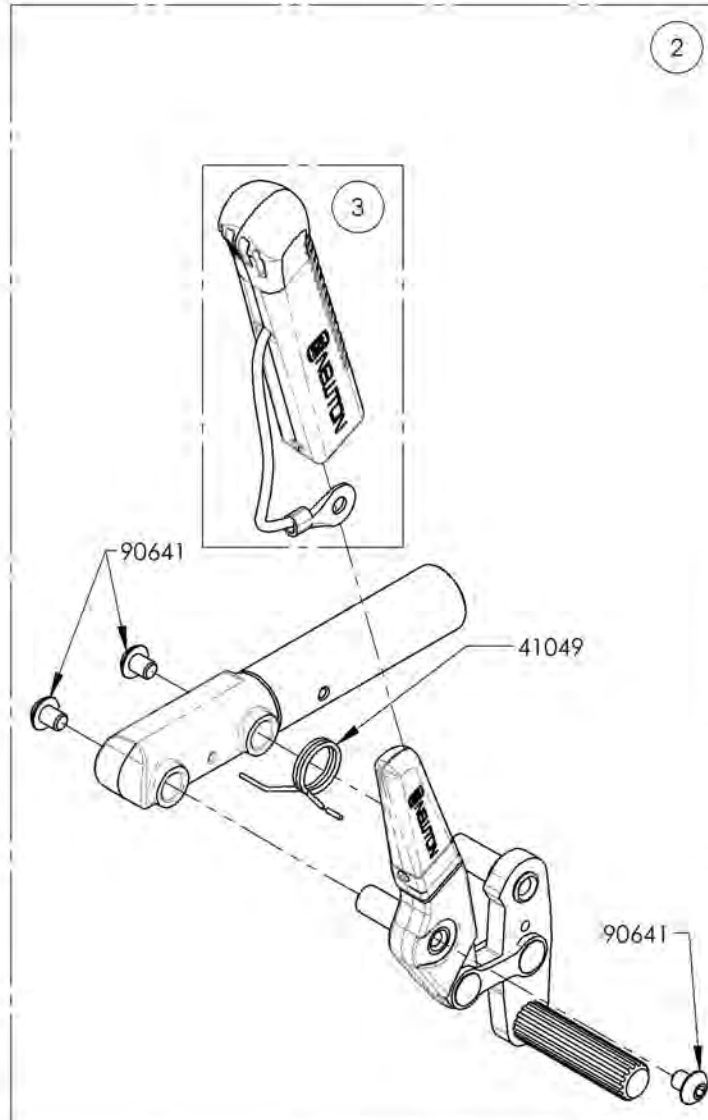
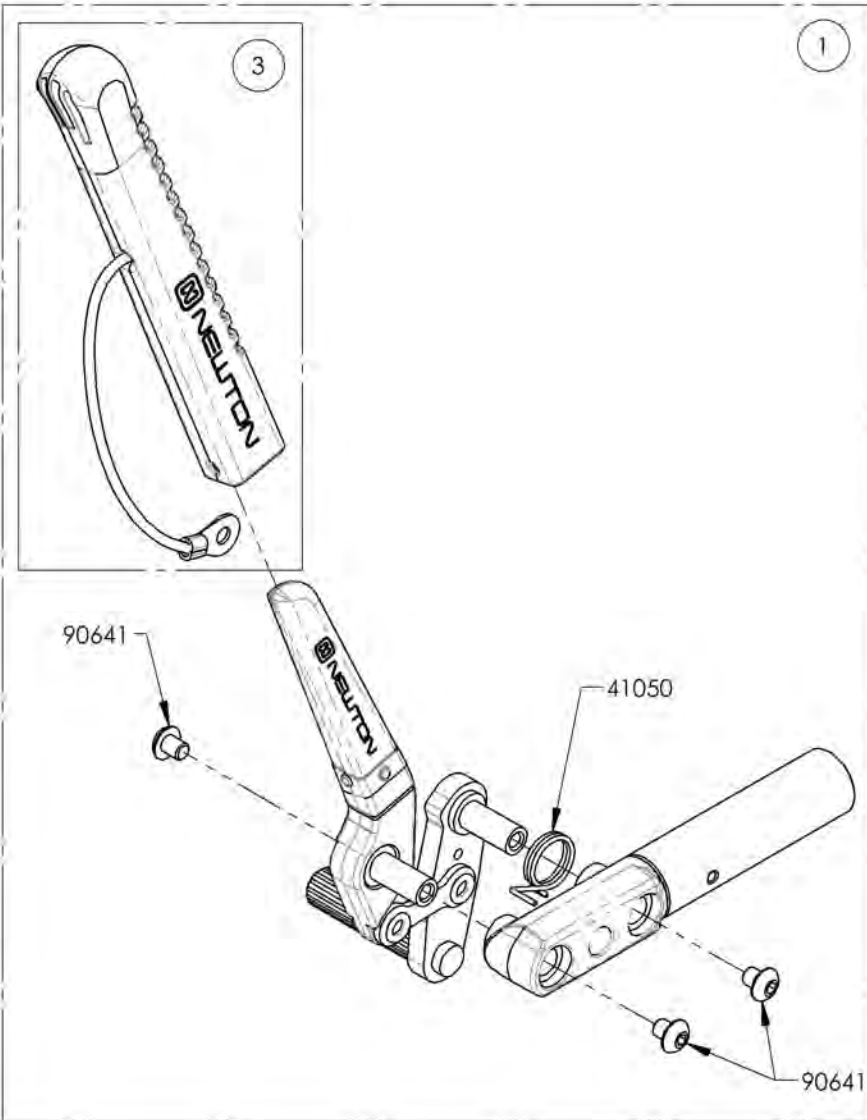
MAKE SURE TO HAVE YOUR SERIAL NUMBER  
NEARBY WHEN ORDERING PARTS FOR YOUR  
MOTION COMPOSITES WHEELCHAIR



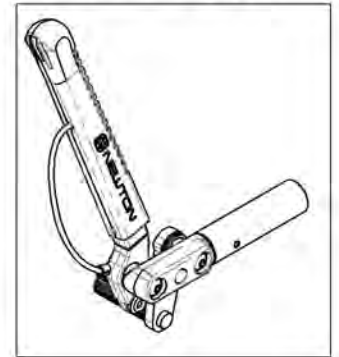
**9003027\_9003028**

**Wheel Lock - Newton Spring Loaded Push to Lock, Extended Rail, 6 in Removable Extension Handle**

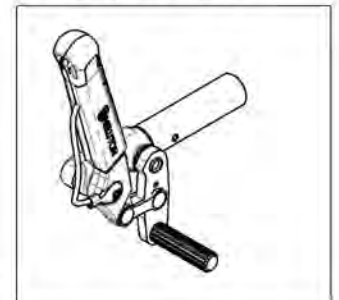
ITEM NO.	PARTNO	DESCRIPTION	9003027 /QTY.	9003028 /QTY.	REPLACEMENT PARTS/QTY.
1	41076	NEWTON PUSH SPRING WHEEL LOCK WITH EXTENSION + EXTENDED RAIL, RIGHT - ASSEMBLY	1	-	-
2	41077	NEWTON PUSH SPRING WHEEL LOCK WITH EXTENSION + EXTENDED RAIL, LEFT - ASSEMBLY	-	1	-
3	41500	NEWTON REMOVABLE EXTENSION HANDLE - ASSEMBLY	-	-	1



9003027  
Wheel Lock - Newton Spring Loaded Push to Lock, Extended Rail, 6 in Removable Extension Handle, Right



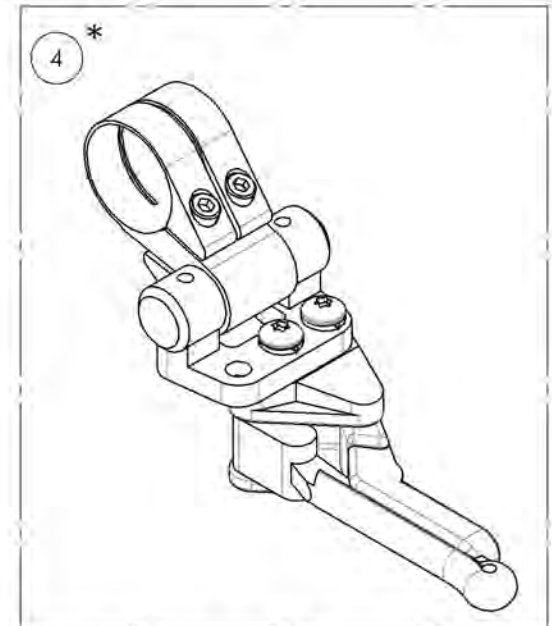
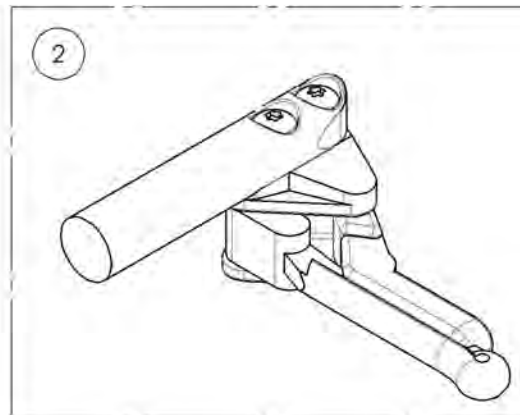
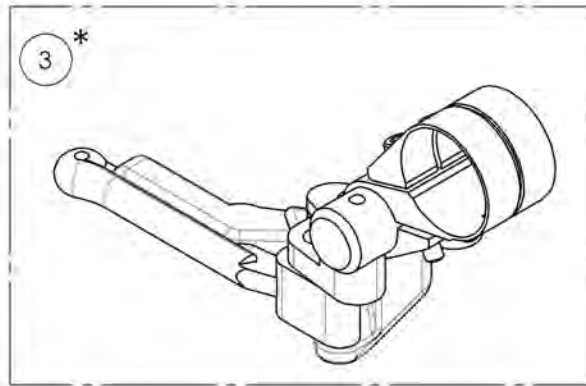
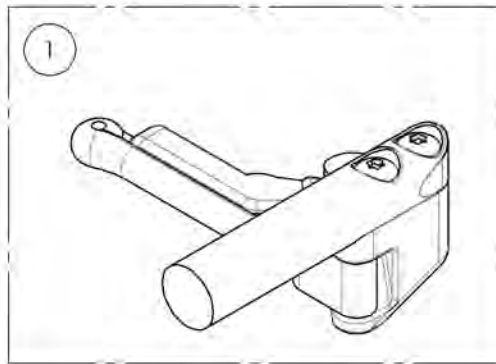
9003028  
Wheel Lock - Newton Spring Loaded Push to Lock, Extended Rail, 6 in Removable Extension Handle, Left



MAKE SURE TO HAVE YOUR SERIAL NUMBER NEARBY WHEN ORDERING PARTS FOR YOUR MOTION COMPOSITES WHEELCHAIR

**Brakes Catalogue**  
**Wheel Locks - Scissor With Adaptor**

ITEM NO.	PARTNO	DESCRIPTION	QTY.
1	9001585	Wheel Lock - Scissor, Right	1
2	9001586	Wheel Lock - Scissor, Left	1
3*	9001325	Wheel Lock - Scissor + Compact Adaptor, Right	1
4*	9001326	Wheel Lock - Scissor + Compact Adaptor, Left	1



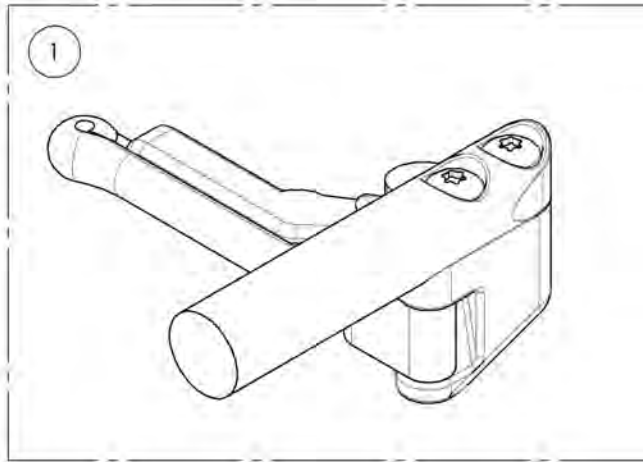
**\* IDEAL FOR VELOCE WHEELCHAIRS**

MAKE SURE TO HAVE YOUR SERIAL NUMBER  
 NEARBY WHEN ORDERING PARTS FOR YOUR  
 MOTION COMPOSITES WHEELCHAIR

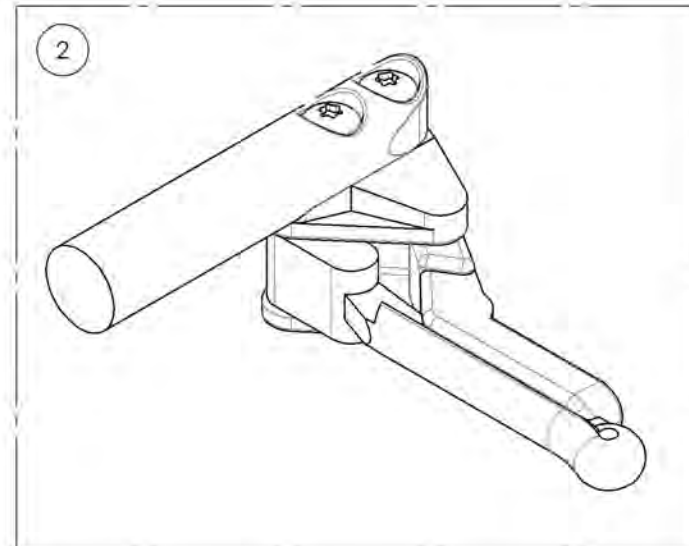
**9001585\_9001586**  
**Wheel Lock - Scissor**

ITEM NO.	PARTNO	DESCRIPTION	9001585 /QTY.	9001586 /QTY.
1	41039	OUT-FRONT SCISSOR WHEEL LOCK RIGHT	1	-
2	41038	OUT-FRONT SCISSOR WHEEL LOCK LEFT	-	1

9001585  
Wheel Lock - Scissor, Right



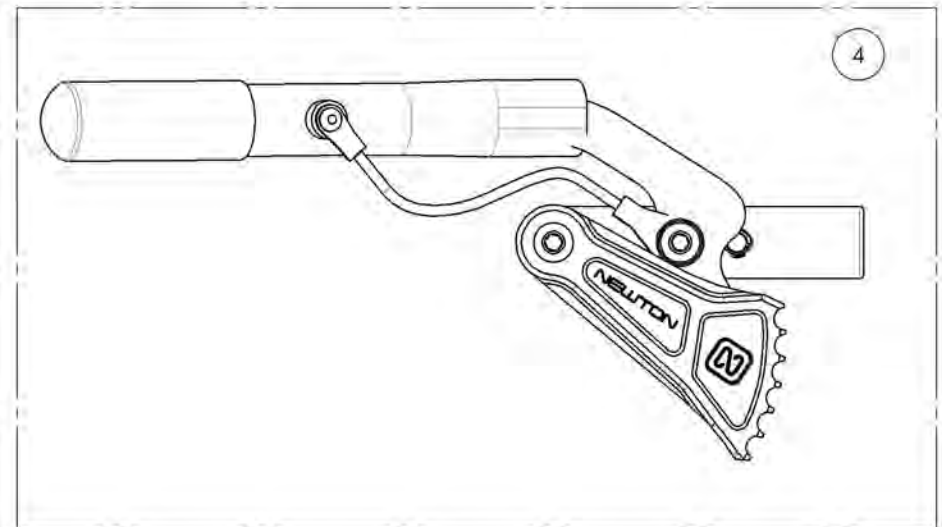
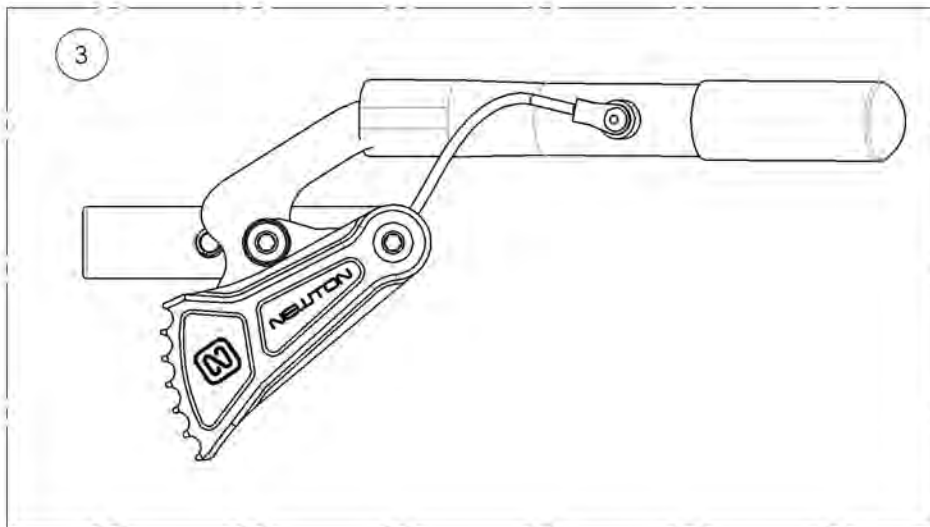
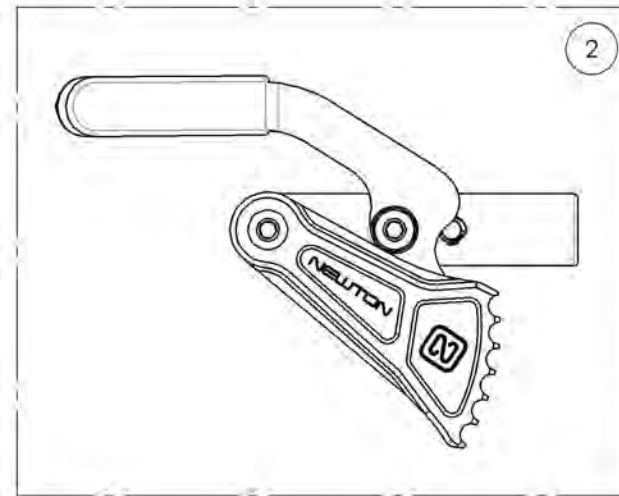
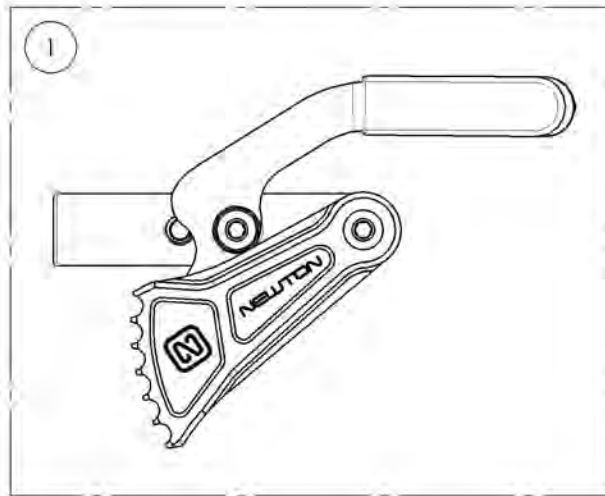
9001586  
Wheel Lock - Scissor, Left



MAKE SURE TO HAVE YOUR SERIAL NUMBER  
NEARBY WHEN ORDERING PARTS FOR YOUR  
MOTION COMPOSITES WHEELCHAIR

**Brakes Catalogue**  
**Wheel Locks - Grade Aid With And Without 6" Removable Extension**  
**Handle Right & Left**

ITEM NO.	PARTNO	DESCRIPTION	QTY.
1	9001581	Wheel Lock - Newton Grade Aid, Push to lock, Right	1
2	9001582	Wheel Lock - Newton Grade Aid, Push to lock, Left	1
3	9001583	Wheel Lock - Newton Grade Aid, Push to lock, 6 in Removable Extension Handle, Right	1
4	9001584	Wheel Lock - Newton Grade Aid, Push to lock, 6 in Removable Extension Handle, Left	1

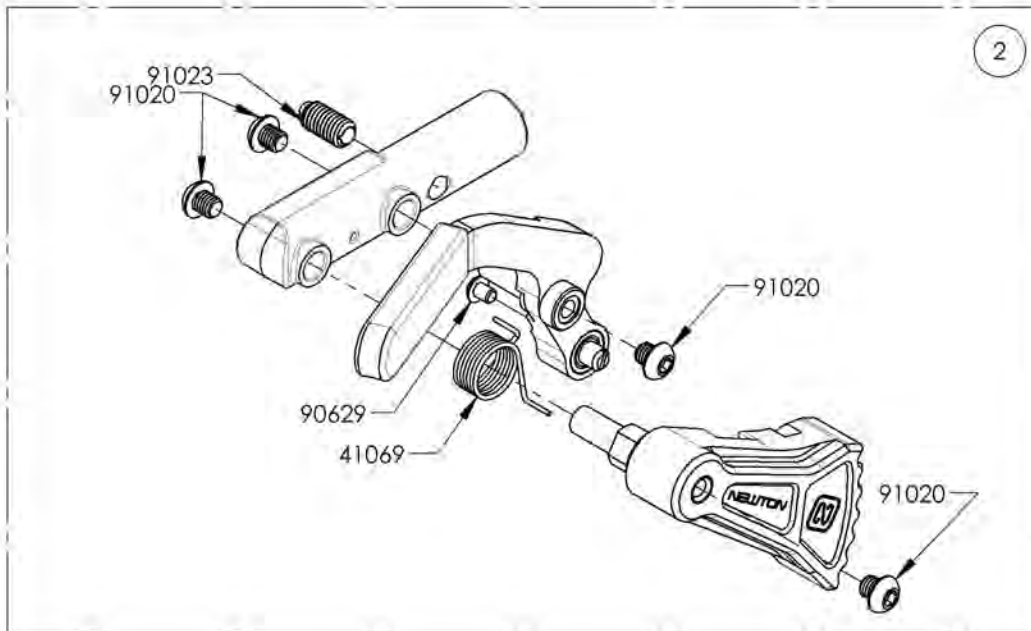
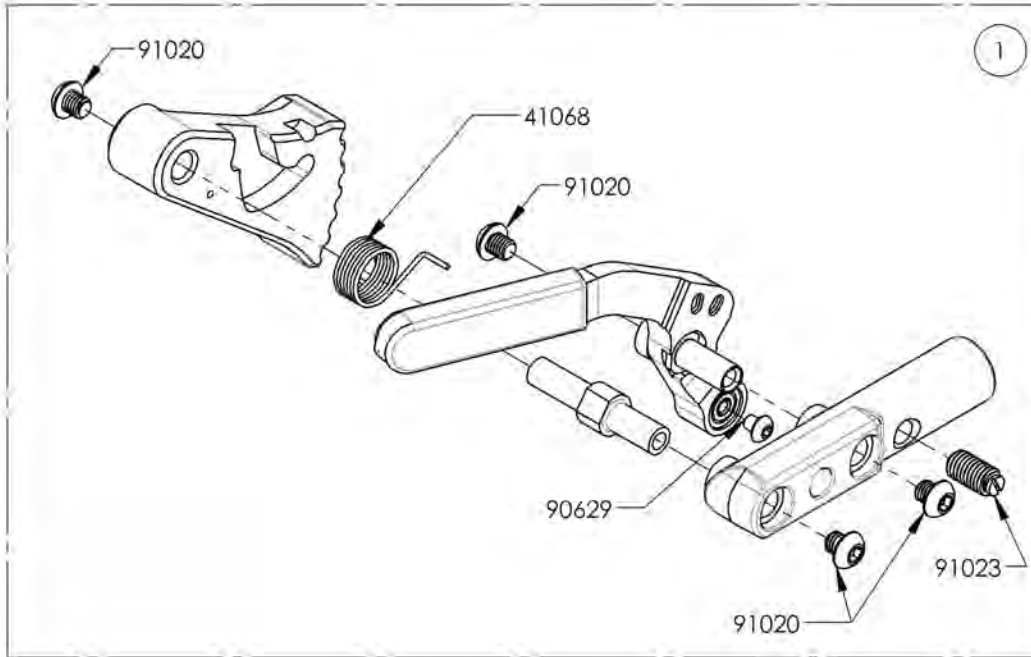


MAKE SURE TO HAVE YOUR SERIAL NUMBER  
 NEARBY WHEN ORDERING PARTS FOR YOUR  
 MOTION COMPOSITES WHEELCHAIR

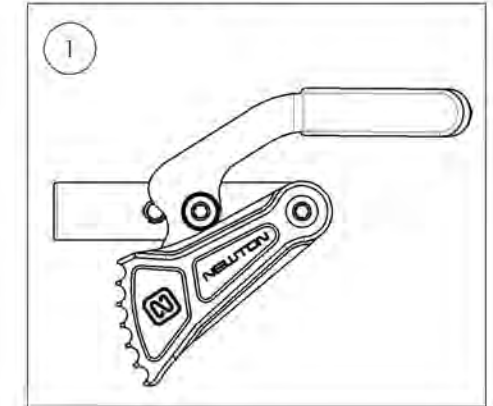
**9001581\_9001582**

**Wheel Lock - Newton Grade Aid, Push to Lock**

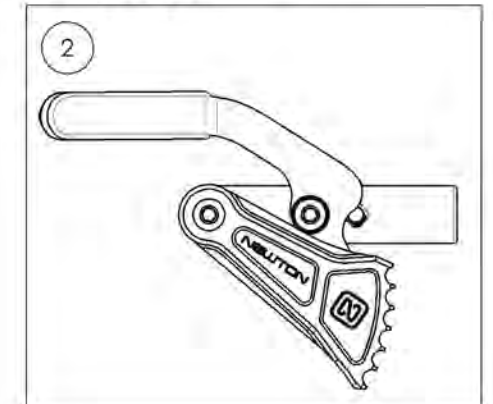
ITEM NO.	PARTNO	DESCRIPTION	9001581 /QTY.	9001582 /QTY.
1	41035	GRADE AID BRAKE RIGHT - ASSEMBLY	1	-
2	41036	GRADE AID BRAKE LEFT - ASSEMBLY	-	1



9001581  
Wheel Lock - Newton Grade Aid,  
Push to lock, Right



9001582  
Wheel Lock - Newton Grade Aid,  
Push to lock, Left

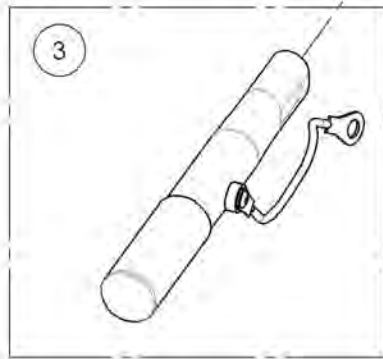
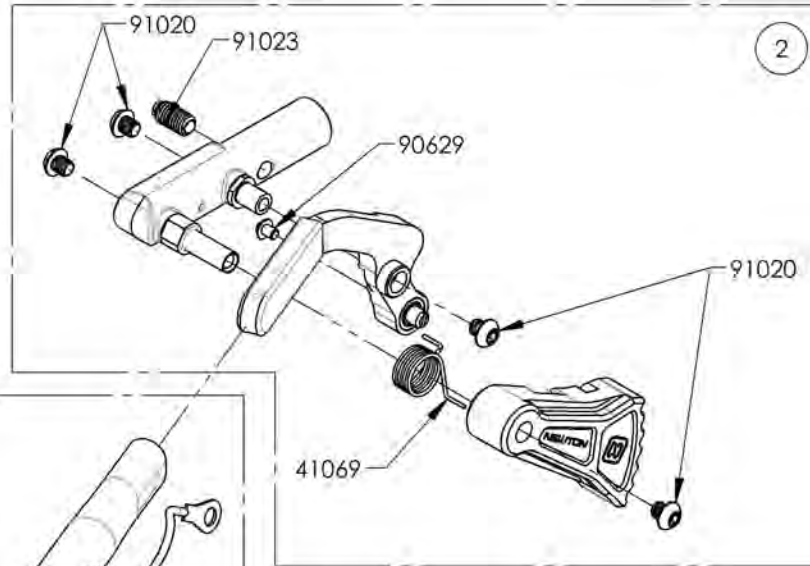
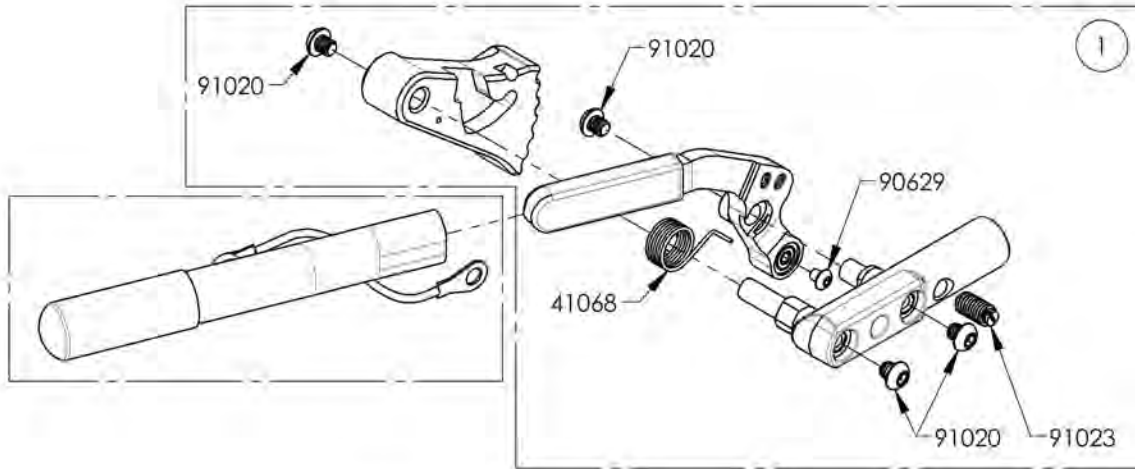


MAKE SURE TO HAVE YOUR SERIAL NUMBER  
NEARBY WHEN ORDERING PARTS FOR YOUR  
MOTION COMPOSITES WHEELCHAIR

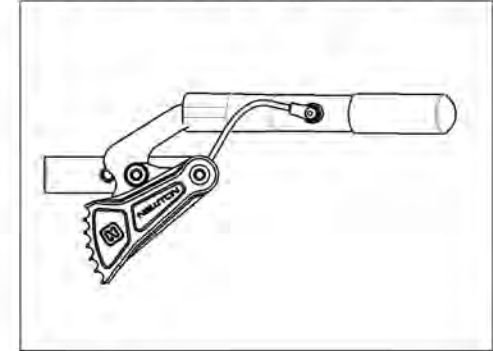
**9001583\_9001584**

**Wheel Lock - Newton Grade Aid, Push to Lock, 6 in Removable Extension Handle**

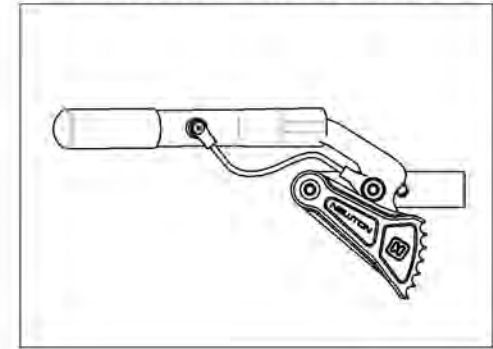
ITEM NO.	PARTNO	DESCRIPTION	9001583 /QTY.	9001584 /QTY.
1	41035	GRADE AID BRAKE RIGHT - ASSEMBLY	1	-
2	41036	GRADE AID BRAKE LEFT - ASSEMBLY	-	1
3	41005	REMOVABLE EXTENSION HANDLE	1	1



9001583  
Wheel Lock - Newton Grade Aid, Push to lock, 6 in Removable Extension Handle, Right



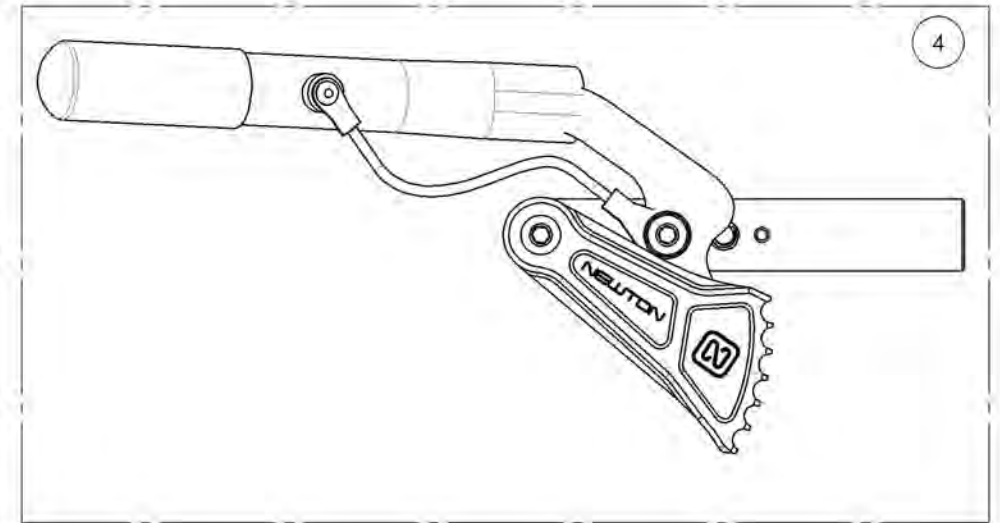
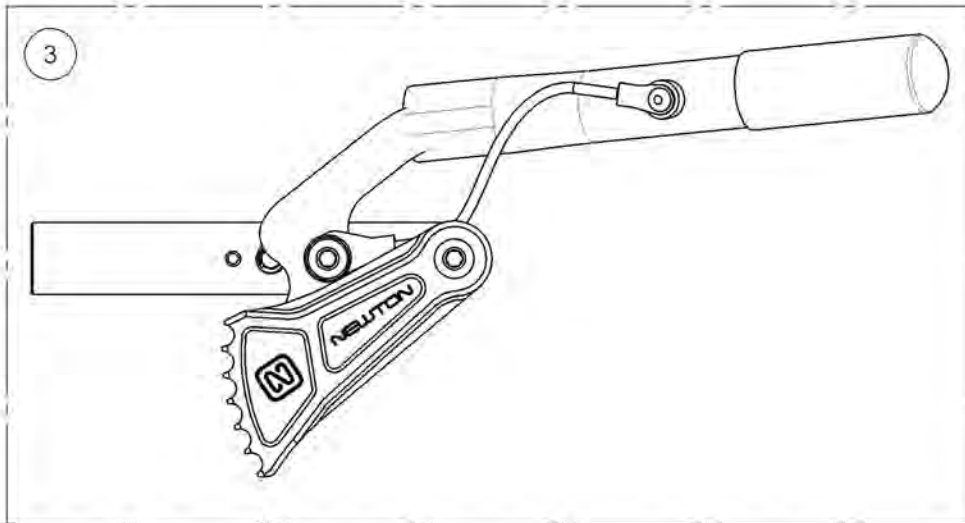
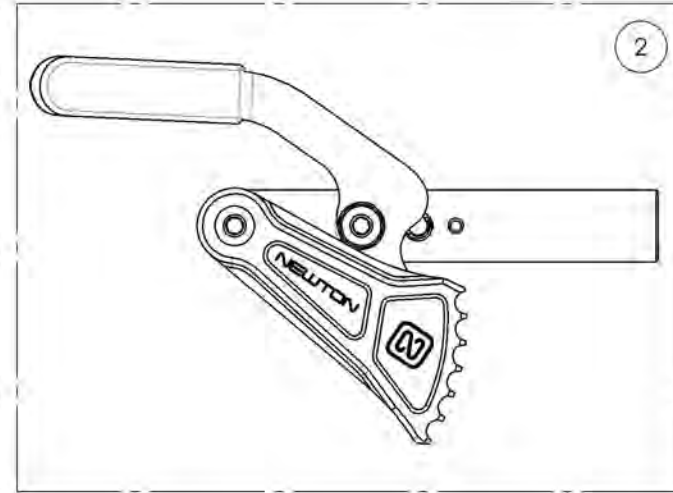
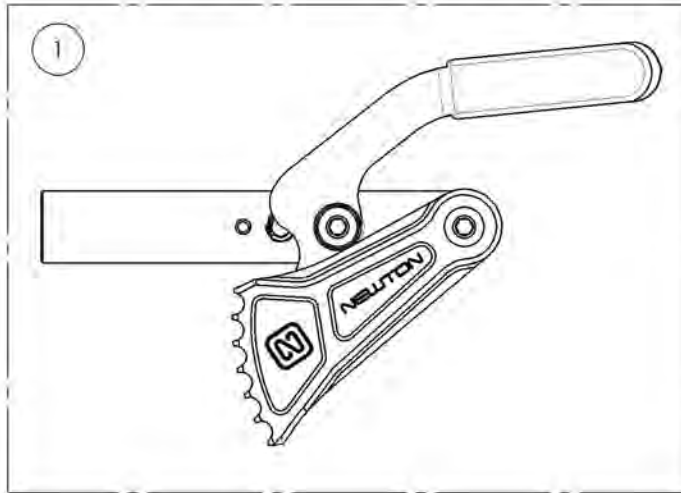
9001584  
Wheel Lock - Newton Grade Aid, Push to lock, 6 in Removable Extension Handle, Left



MAKE SURE TO HAVE YOUR SERIAL NUMBER NEARBY WHEN ORDERING PARTS FOR YOUR MOTION COMPOSITES WHEELCHAIR

**Brakes Catalogue**  
**Wheel Locks - Grade Aid + Extended Rail With And Without 6 in**  
**Removable Extension Handle**

ITEM NO.	PARTNO	DESCRIPTION	QTY.
1	9003029	Wheel Lock - Newton Grade Aid, Push to Lock, Extended Rail, Right	1
2	9003030	Wheel Lock - Newton Grade Aid, Push to Lock, Extended Rail, Left	1
3	9003031	Wheel Lock - Newton Grade Aid, Push to Lock, Extended Rail, 6 in Removable Extension Handle, Right	1
4	9003032	Wheel Lock - Newton Grade Aid, Push to Lock, Extended Rail, 6 in Removable Extension Handle, Left	1

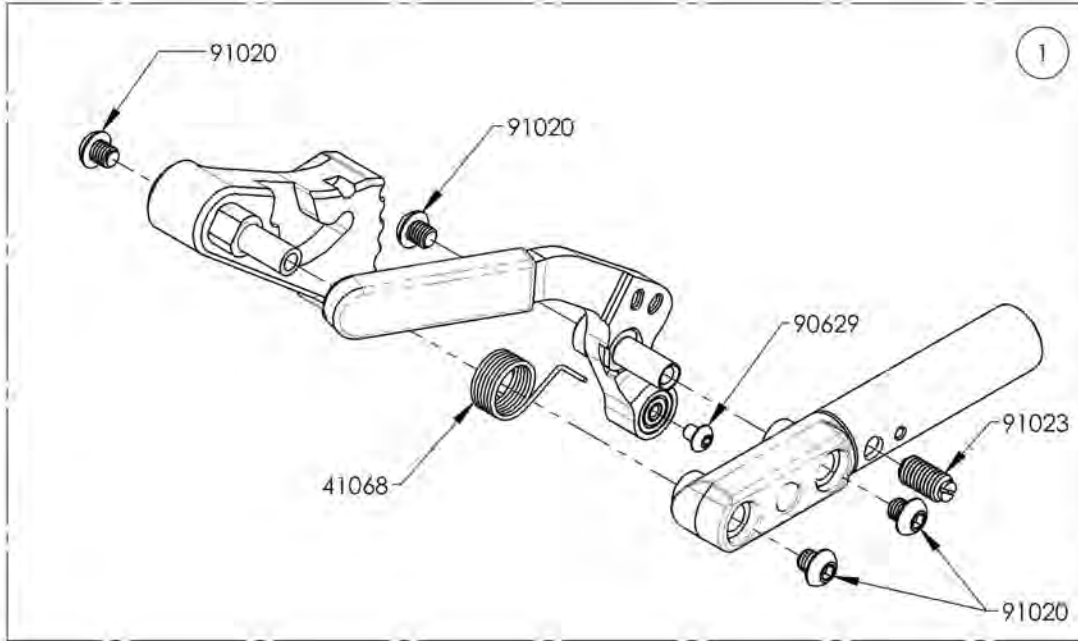


MAKE SURE TO HAVE YOUR SERIAL NUMBER  
 NEARBY WHEN ORDERING PARTS FOR YOUR  
 MOTION COMPOSITES WHEELCHAIR

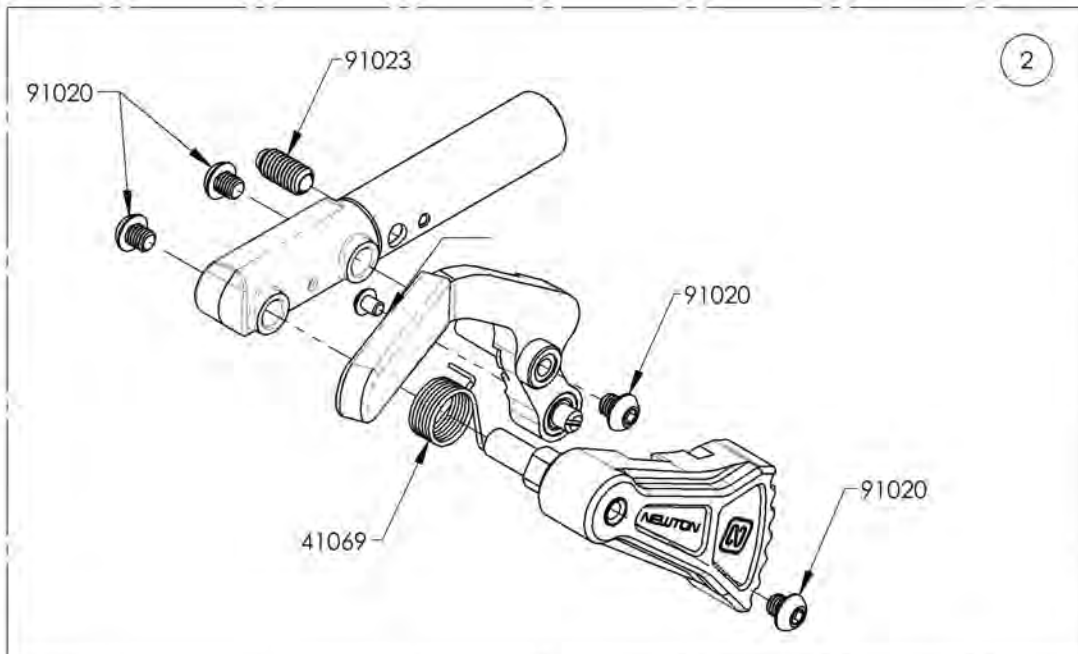
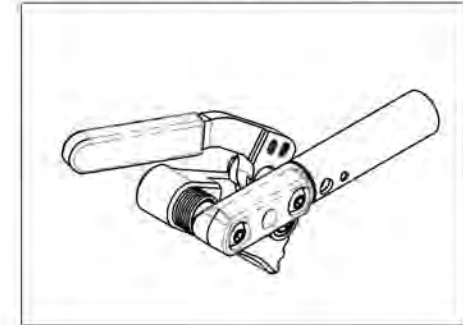
**9003029\_9003030**

**Wheel Lock - Newton Grade Aid, Push to Lock, Extended Rail**

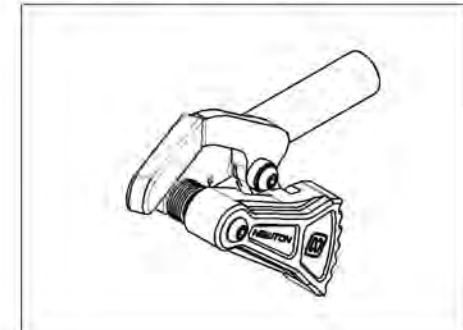
ITEM NO.	PARTNO	DESCRIPTION	9003029 /QTY.	9003030 /QTY.
1	41514	NEWTON GRAID AID WHEEL LOCK WITH EXTENDED RAIL, RIGHT - ASSEMBLY	1	-
2	41515	NEWTON GRAID AID WHEEL LOCK WITH EXTENDED RAIL, LEFT - ASSEMBLY	-	1



9003029  
Wheel Lock - Newton Grade Aid,  
Push to Lock, Extended Rail, Right



9003030  
Wheel Lock - Newton Grade Aid,  
Push to Lock, Extended Rail, Left

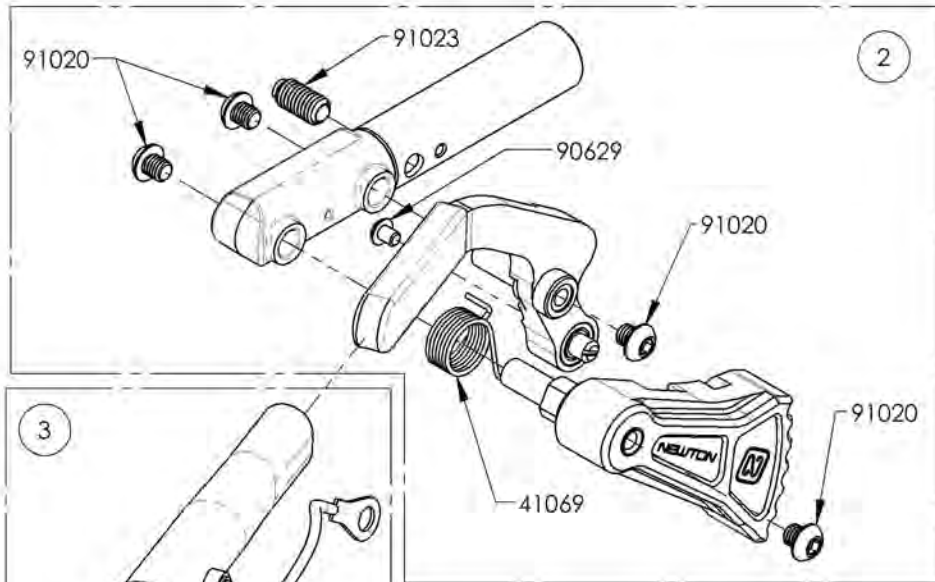
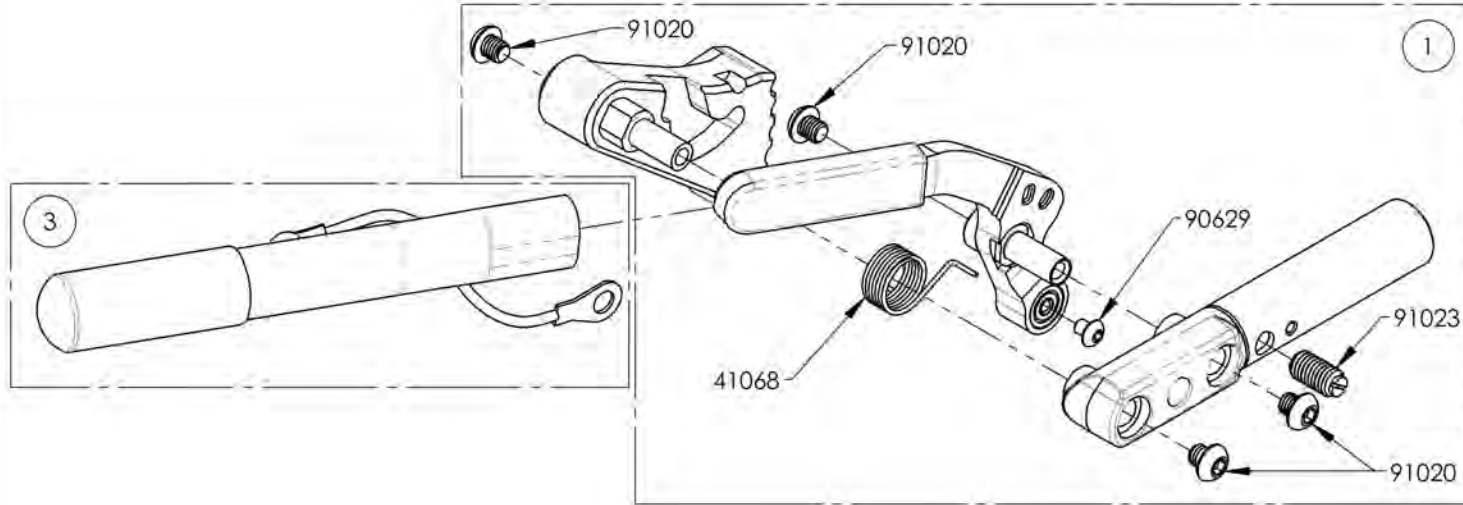


MAKE SURE TO HAVE YOUR SERIAL NUMBER  
NEARBY WHEN ORDERING PARTS FOR YOUR  
MOTION COMPOSITES WHEELCHAIR

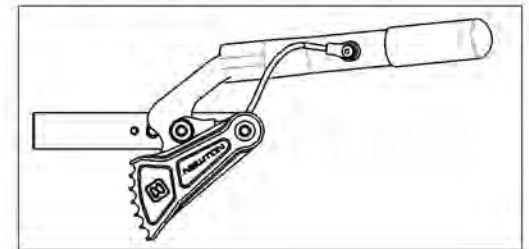


**9003031**  
**Wheel Lock - Newton Grade Aid, Push to Lock, Extended Rail,**  
**6 in Removable Extension Handle, Right**

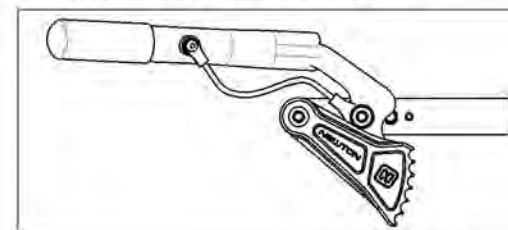
ITEM NO.	PARTNO	DESCRIPTION	9003031 /QTY.	9003032 /QTY.
1	41514	NEWTON GRAID AID WHEEL LOCK WITH EXTENDED RAIL, RIGHT - ASSEMBLY	1	-
2	41515	NEWTON GRAID AID WHEEL LOCK WITH EXTENDED RAIL, LEFT - ASSEMBLY	-	1
3	41005	REMOVABLE EXTENSION HANDLE	1	1



9003031  
 Wheel Lock - Newton Grade Aid,  
 Push to Lock, Extended Rail, 6 in  
 Removable Extension Handle, Right



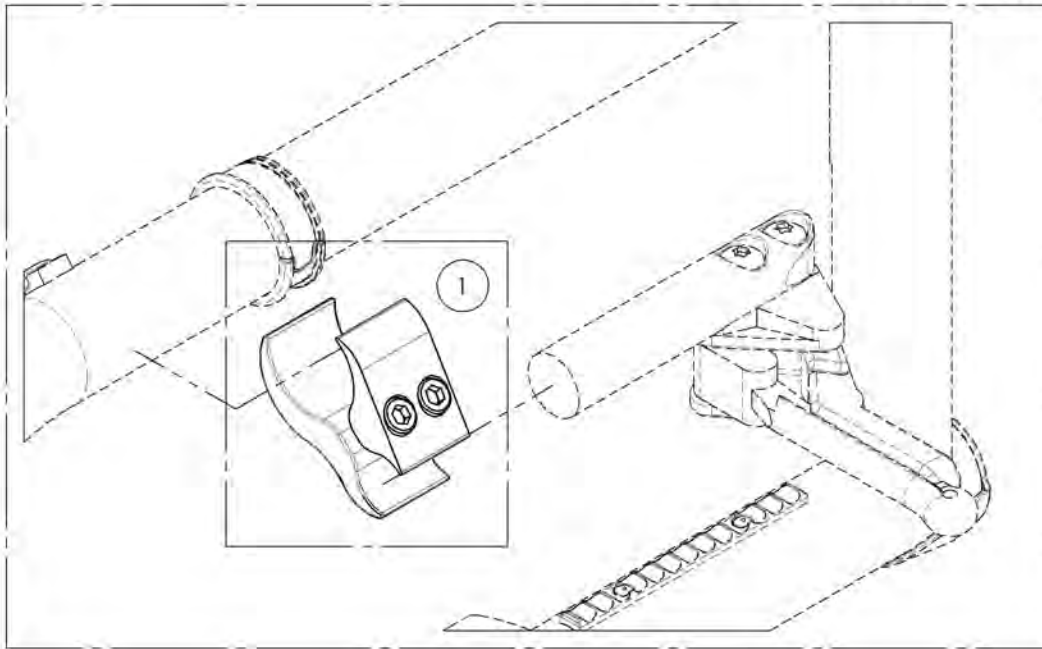
9003032  
 Wheel Lock - Newton Grade Aid,  
 Push to Lock, Extended Rail, 6 in  
 Removable Extension Handle, Left



MAKE SURE TO HAVE YOUR SERIAL NUMBER  
 NEARBY WHEN ORDERING PARTS FOR YOUR  
 MOTION COMPOSITES WHEELCHAIR

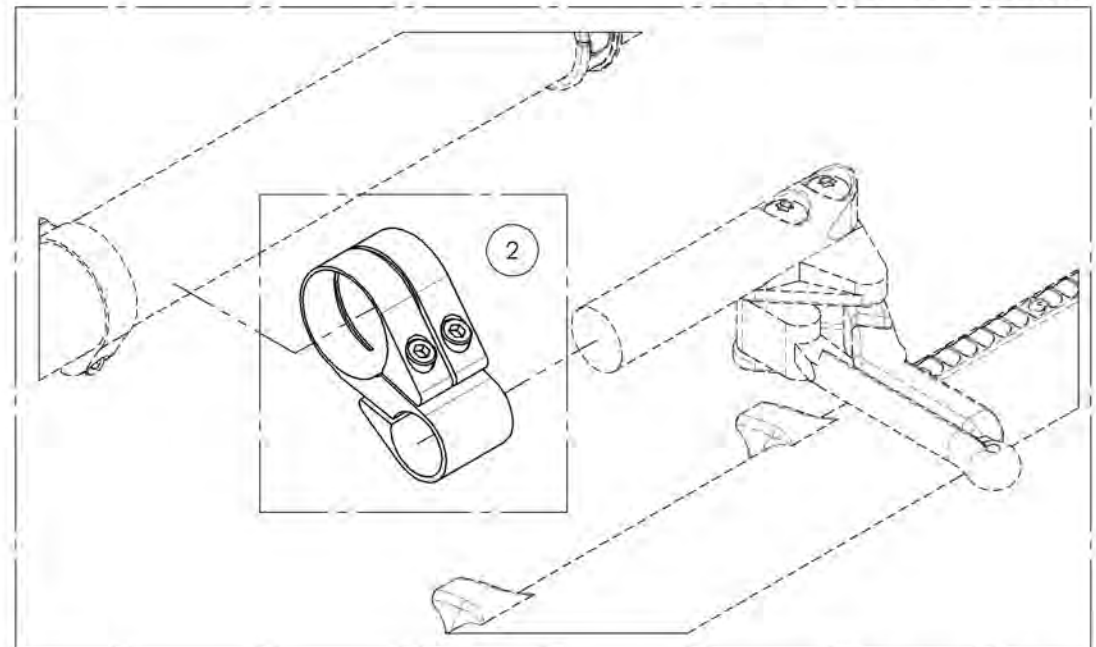
**Brakes Catalogue**  
**Wheel Locks - Clamps**

**FOR ALUMINUM FRAME**



ITEM NO.	PARTNO	DESCRIPTION	QTY.
1	9001211	Wheel lock - Two Part Clamp	1
2	9001212	Wheel lock - Ultralight One Part Clamp	1

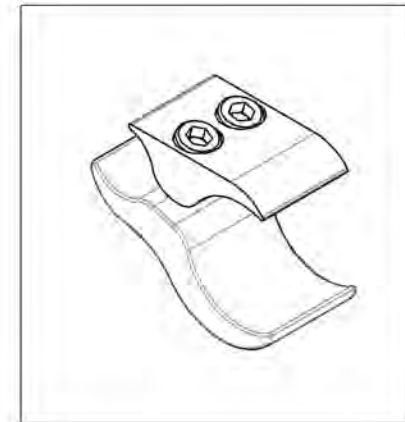
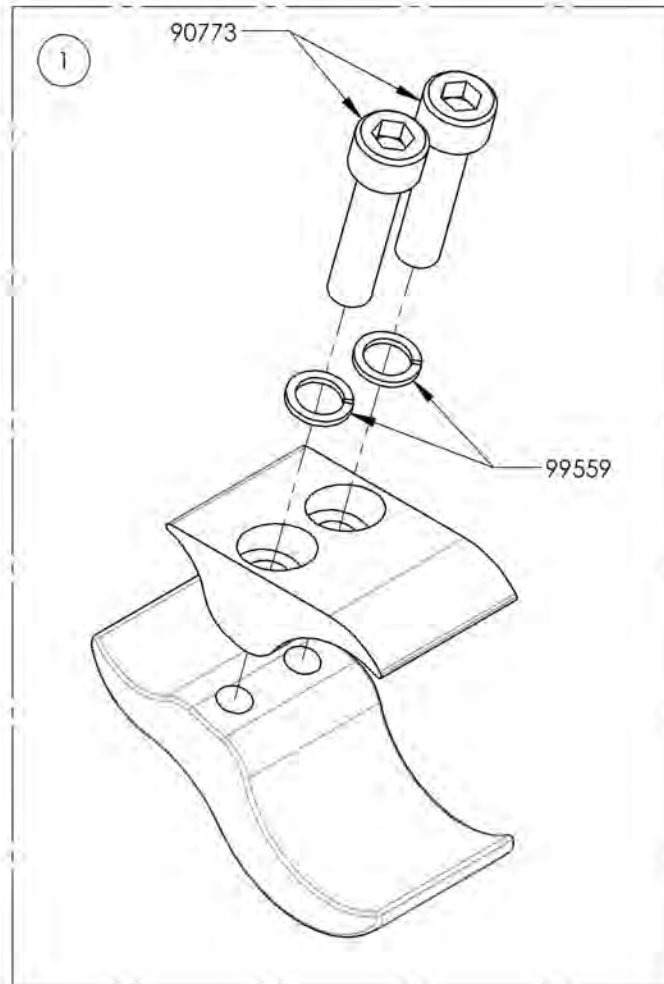
**FOR CARBON FRAME**



MAKE SURE TO HAVE YOUR SERIAL NUMBER  
NEARBY WHEN ORDERING PARTS FOR YOUR  
MOTION COMPOSITES WHEELCHAIR

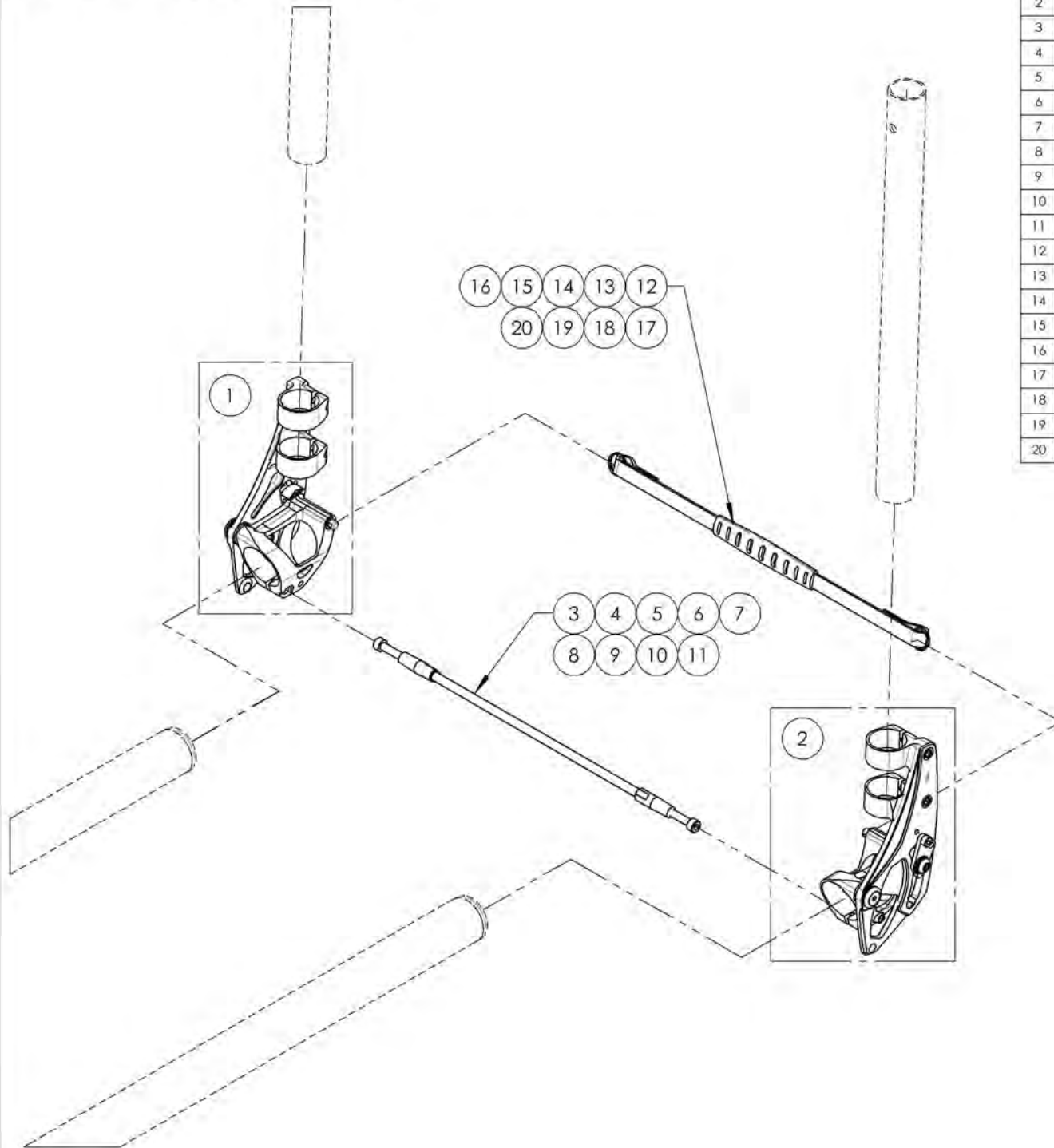
**9001211**  
**Wheel lock - Two Part Clamp**

ITEM NO.	PARTNO	DESCRIPTION	9001211 /QTY.
1	41501	BRAKE CLAMP	1

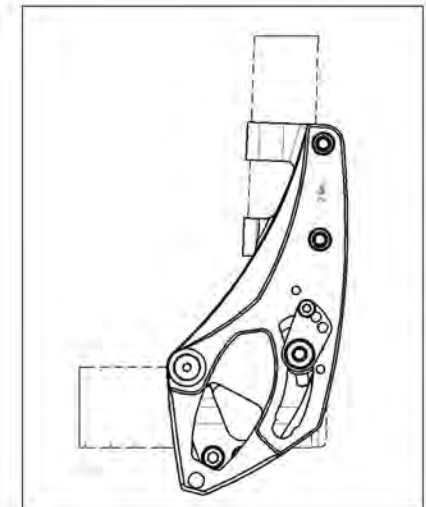


MAKE SURE TO HAVE YOUR SERIAL NUMBER  
NEARBY WHEN ORDERING PARTS FOR YOUR  
MOTION COMPOSITES WHEELCHAIR

**Backrests Catalogue**  
**Folding Standard Backrest Mechanism**



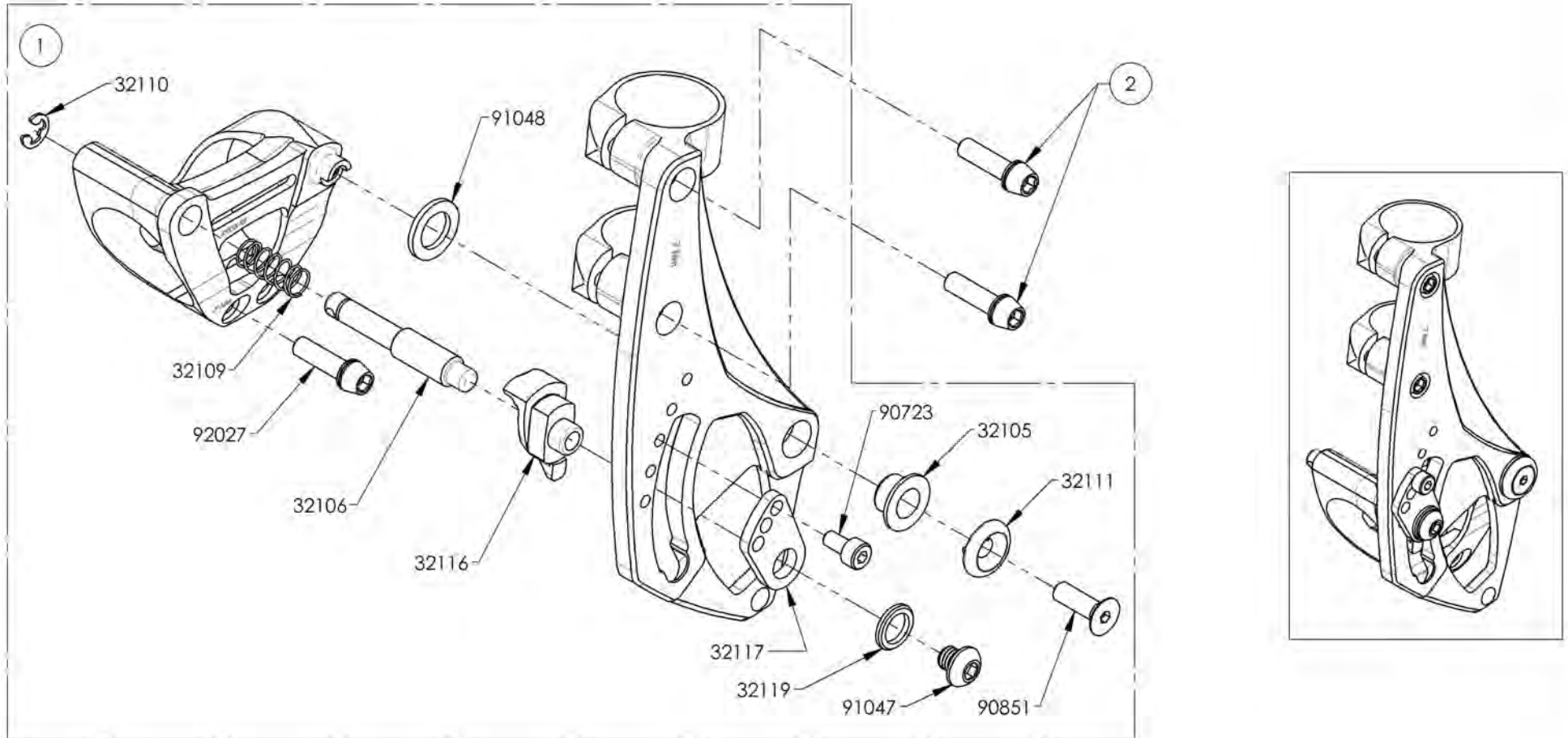
ITEM NO.	PARTNO	DESCRIPTION	QTY
1	9003127	Backrest - Fold Down, Locking, Right, Depth & Angle Adjustable	1
2	9003128	Backrest - Fold Down, Locking, Left, Depth & Angle Adjustable	1
3	9003133	Back Seat Rigidizer - Carbon Fiber Pultrusion, 12 in Width	1
4	9003134	Back Seat Rigidizer - Carbon Fiber Pultrusion, 13 in Width	1
5	9003135	Back Seat Rigidizer - Carbon Fiber Pultrusion, 14 in Width	1
6	9003136	Back Seat Rigidizer - Carbon Fiber Pultrusion, 15 in Width	1
7	9003137	Back Seat Rigidizer - Carbon Fiber Pultrusion, 16 in Width	1
8	9003138	Back Seat Rigidizer - Carbon Fiber Pultrusion, 17 in Width	1
9	9003139	Back Seat Rigidizer - Carbon Fiber Pultrusion, 18 in Width	1
10	9003140	Back Seat Rigidizer - Carbon Fiber Pultrusion, 19 in Width	1
11	9003141	Back Seat Rigidizer - Carbon Fiber Pultrusion, 20 in Width	1
12	9003257	Backrest - Quick Release, Pull String, 12 in	1
13	9003258	Backrest - Quick Release, Pull String, 13 in	1
14	9003259	Backrest - Quick Release, Pull String, 14 in	1
15	9003260	Backrest - Quick Release, Pull String, 15 in	1
16	9003261	Backrest - Quick Release, Pull String, 16 in	1
17	9003262	Backrest - Quick Release, Pull String, 17 in	1
18	9003263	Backrest - Quick Release, Pull String, 18 in	1
19	9003264	Backrest - Quick Release, Pull String, 19 in	1
20	9003265	Backrest - Quick Release, Pull String, 20 in	1



MAKE SURE TO HAVE YOUR SERIAL NUMBER  
 NEARBY WHEN ORDERING PARTS FOR YOUR  
 MOTION COMPOSITES WHEELCHAIR

**9003127**  
**Backrest - Fold Down, Locking, Right, Depth & Angle Adjustable**

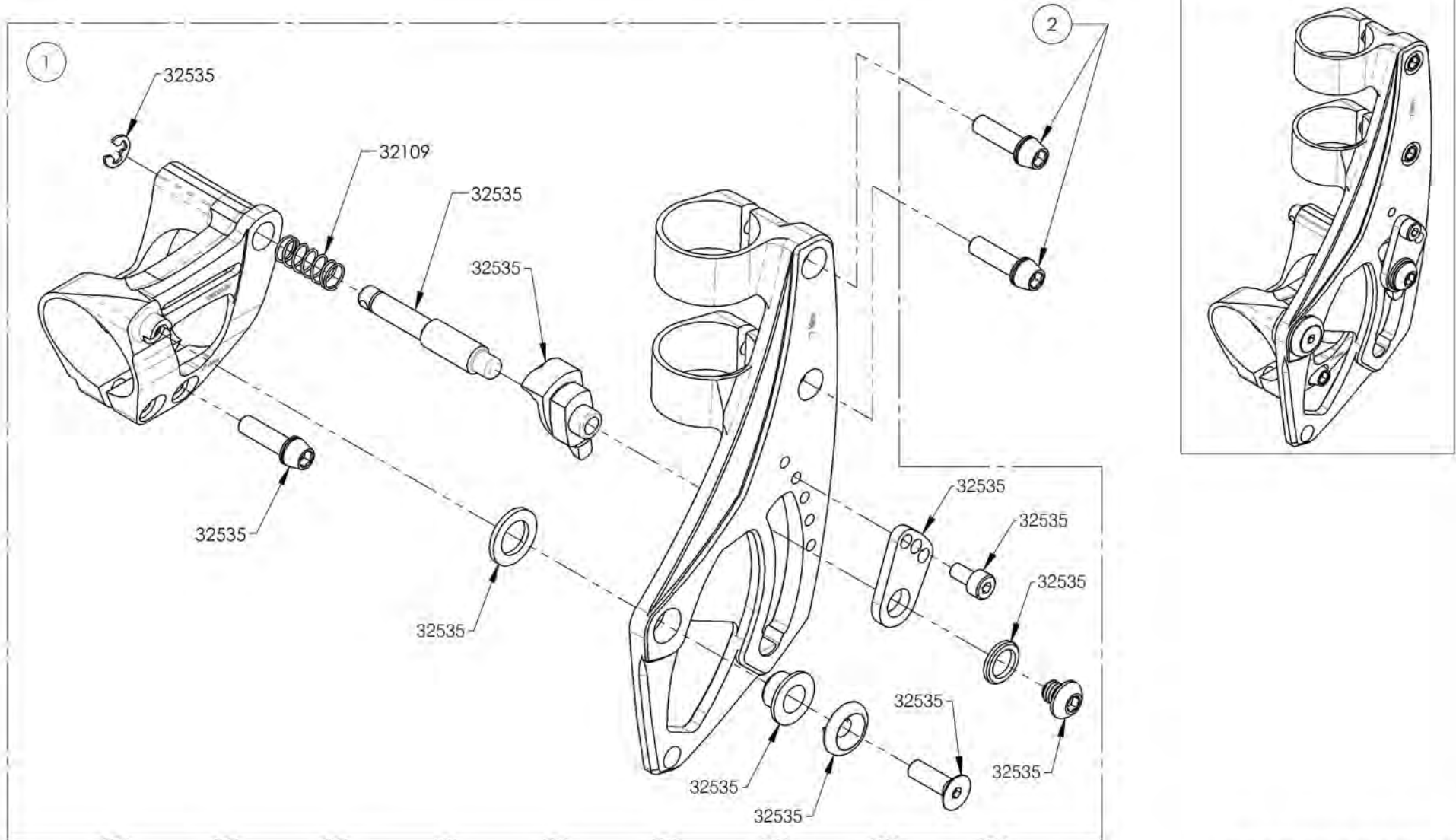
ITEM NO.	PARTNO	DESCRIPTION	9003127 /QTY.
1	32534	ANGLE ADJUSTABLE FLIPDOWN BACKREST, RIGHT- ASSEMBLY	1
2	92027	TAPER HEAD CAP SCREW+WASHER M5X0.8 X 18mm LONG, FULLY THREADED + BLUE THREADLOCKER	2



MAKE SURE TO HAVE YOUR SERIAL NUMBER  
 NEARBY WHEN ORDERING PARTS FOR YOUR  
 MOTION COMPOSITES WHEELCHAIR

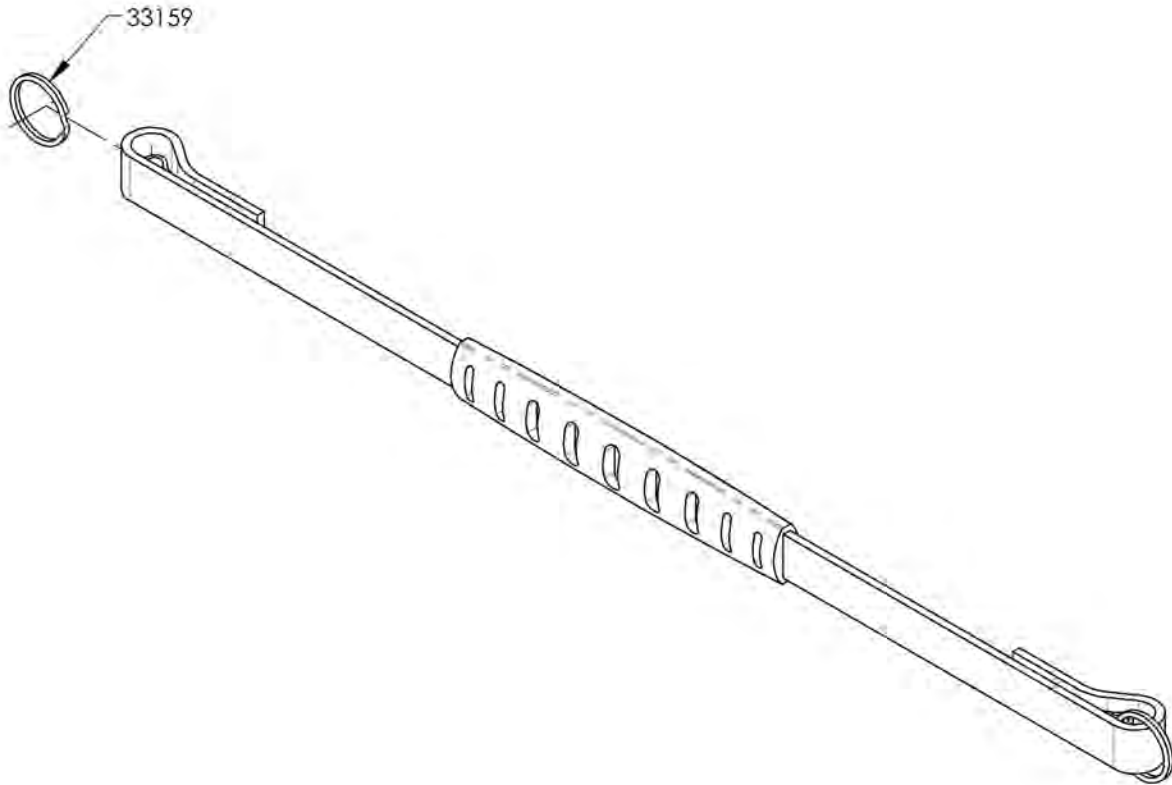
**9003128**  
**Backrest - Fold Down, Locking, Left, Depth & Angle Adjustable**

ITEM NO.	PARTNO	DESCRIPTION	9003128 /QTY.
1	32535	ANGLE ADJUSTABLE FLIPDOWN BACKREST, LEFT- ASSEMBLY	1
2	92027	TAPER HEAD CAP SCREW+WASHER M5X0.8 X 18mm LONG, FULLY THREADED + BLUE THREADLOCKER	2

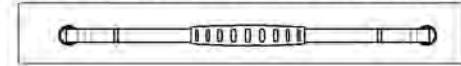


MAKE SURE TO HAVE YOUR SERIAL NUMBER NEARBY WHEN ORDERING PARTS FOR YOUR MOTION COMPOSITES WHEELCHAIR

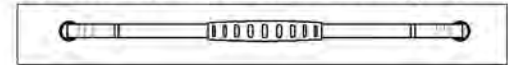
**9003257\_9003265**  
**Backrest - Quick Release, Pull String**



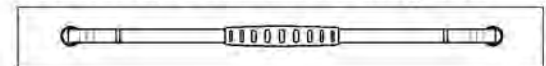
9003257  
Backrest - Quick Release, Pull String, 12 in



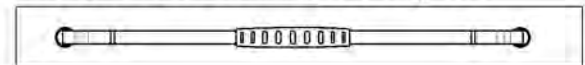
9003258  
Backrest - Quick Release, Pull String, 13 in



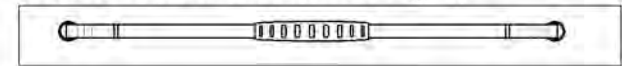
9003259  
Backrest - Quick Release, Pull String, 14 in



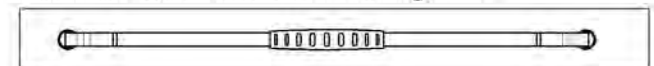
9003260  
Backrest - Quick Release, Pull String, 15 in



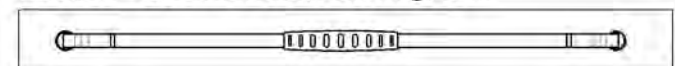
9003261  
Backrest - Quick Release, Pull String, 16 in



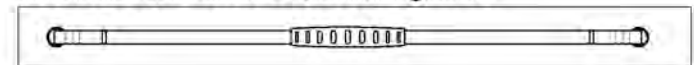
9003262  
Backrest - Quick Release, Pull String, 17 in



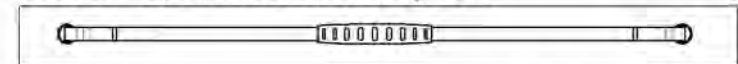
9003263  
Backrest - Quick Release, Pull String, 18 in



9003264  
Backrest - Quick Release, Pull String, 19 in



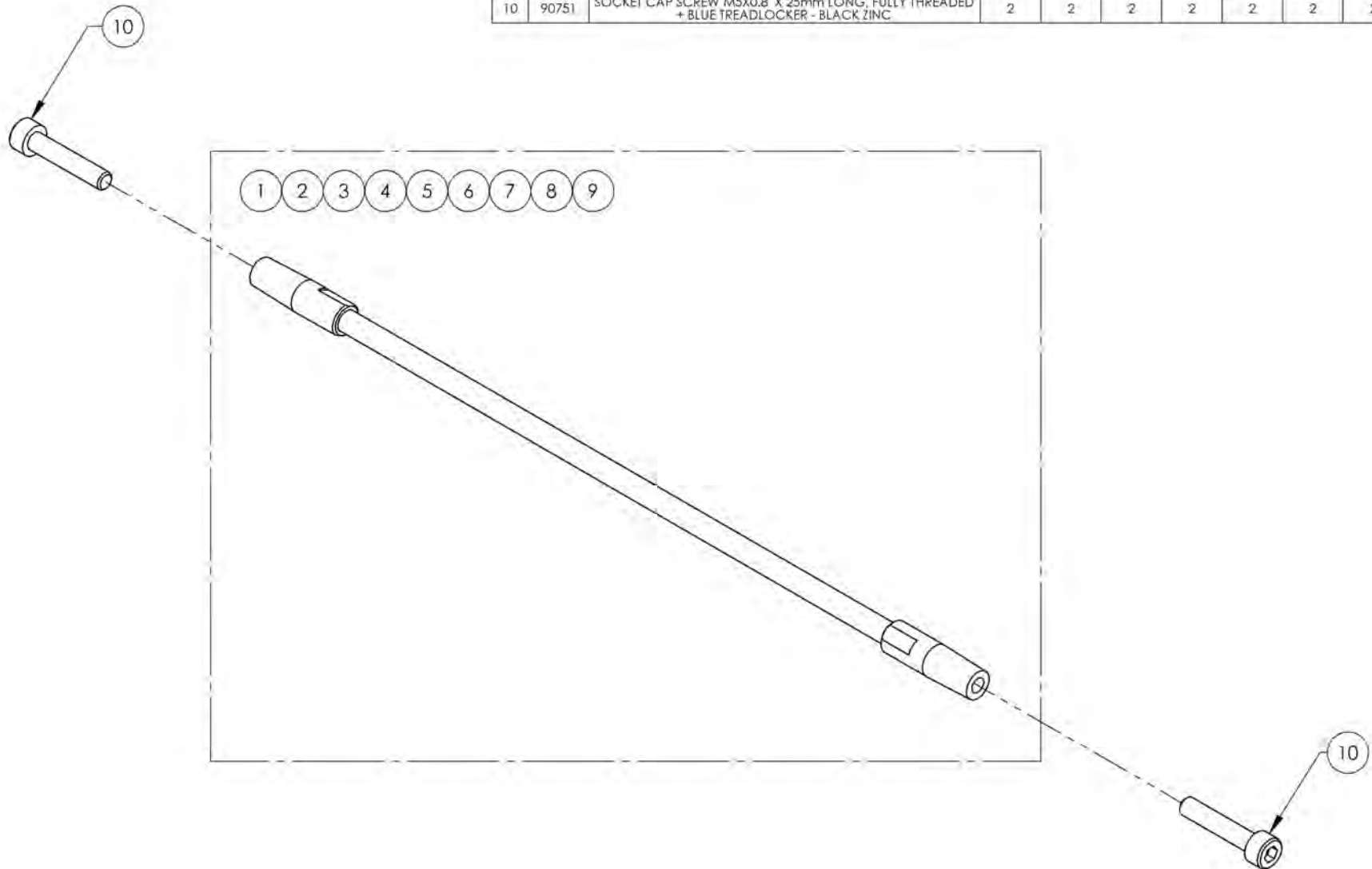
9003265  
Backrest - Quick Release, Pull String, 20 in



MAKE SURE TO HAVE YOUR SERIAL NUMBER  
NEARBY WHEN ORDERING PARTS FOR YOUR  
MOTION COMPOSITES WHEELCHAIR

**9003133\_9003141**  
**Back Seat Rigidizer - Carbon Fiber Pultrusion**

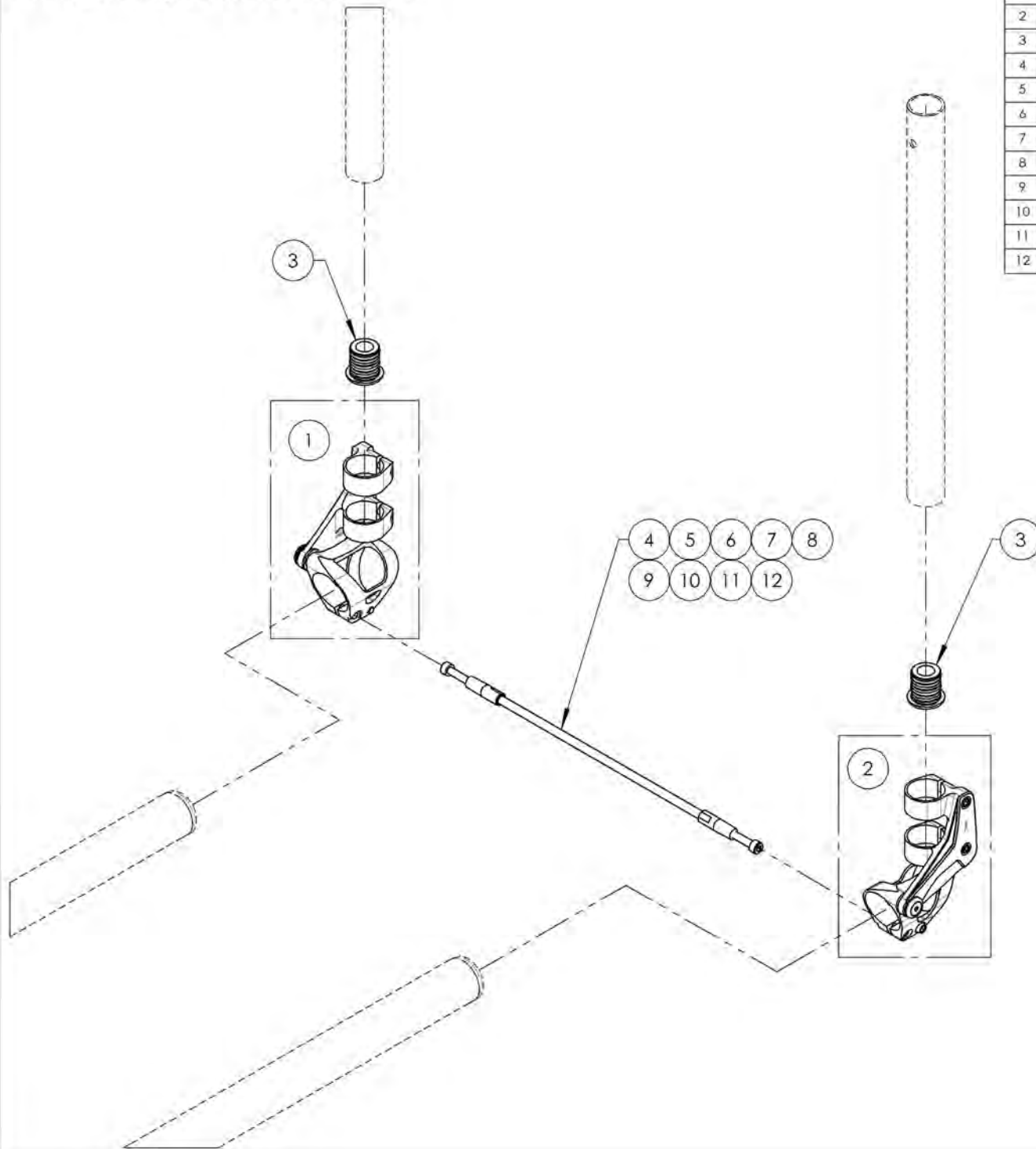
ITEM NO.	PARTNO	DESCRIPTION	9003133 /QTY.	9003134 /QTY.	9003135 /QTY.	9003136 /QTY.	9003137 /QTY.	9003138 /QTY.	9003139 /QTY.	9003140 /QTY.	9003141 /QTY.
1	10723	BACK SEAT RIGIDIZER 12 IN	1	-	-	-	-	-	-	-	-
2	10724	BACK SEAT RIGIDIZER 13 IN	-	1	-	-	-	-	-	-	-
3	10725	BACK SEAT RIGIDIZER 14 IN	-	-	1	-	-	-	-	-	-
4	10726	BACK SEAT RIGIDIZER 15 IN	-	-	-	1	-	-	-	-	-
5	10727	BACK SEAT RIGIDIZER 16 IN	-	-	-	-	1	-	-	-	-
6	10728	BACK SEAT RIGIDIZER 17 IN	-	-	-	-	-	1	-	-	-
7	10729	BACK SEAT RIGIDIZER 18 IN	-	-	-	-	-	-	1	-	-
8	10730	BACK SEAT RIGIDIZER 19 IN	-	-	-	-	-	-	-	1	-
9	10731	BACK SEAT RIGIDIZER 20 IN	-	-	-	-	-	-	-	-	1
10	90751	SOCKET CAP SCREW M5X0.8 X 25mm LONG, FULLY THREADED + BLUE TREADLOCKER - BLACK ZINC	2	2	2	2	2	2	2	2	2



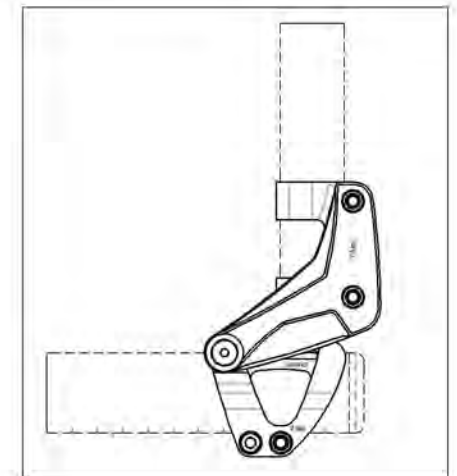
MAKE SURE TO HAVE YOUR SERIAL NUMBER NEARBY WHEN ORDERING PARTS FOR YOUR MOTION COMPOSITES WHEELCHAIR



**Backrests Catalogue**  
**Folding Ultralight Backrest Mechanism**



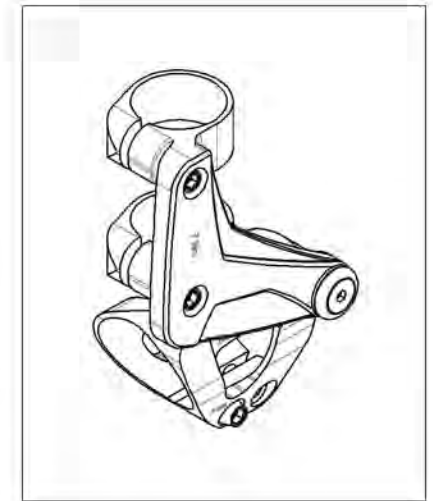
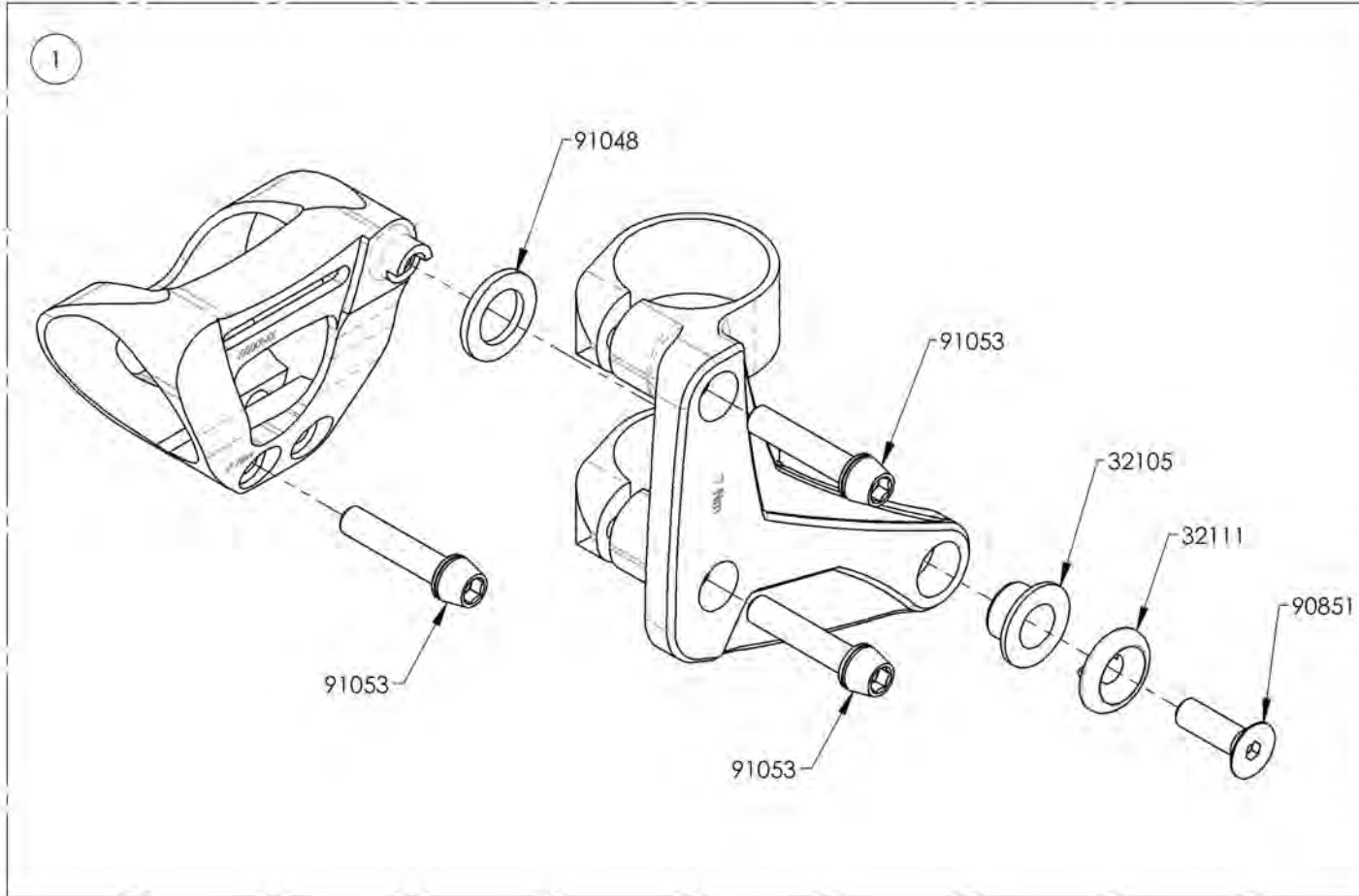
ITEM NO.	PARTNO	DESCRIPTION	QTY
1	9003129	Backrest - Ultralight, Fold Down, Non-Locking, Right, Depth Adjustable	1
2	9003130	Backrest - Ultralight, Fold Down, Non-Locking, Left, Depth Adjustable	1
3	9003254	Backrest - Ultralight, Bottom End Plug	2
4	9003133	Back Seat Rigidizer - Carbon Fiber Pultrusion, 12 in Width	1
5	9003134	Back Seat Rigidizer - Carbon Fiber Pultrusion, 13 in Width	1
6	9003135	Back Seat Rigidizer - Carbon Fiber Pultrusion, 14 in Width	1
7	9003136	Back Seat Rigidizer - Carbon Fiber Pultrusion, 15 in Width	1
8	9003137	Back Seat Rigidizer - Carbon Fiber Pultrusion, 16 in Width	1
9	9003138	Back Seat Rigidizer - Carbon Fiber Pultrusion, 17 in Width	1
10	9003139	Back Seat Rigidizer - Carbon Fiber Pultrusion, 18 in Width	1
11	9003140	Back Seat Rigidizer - Carbon Fiber Pultrusion, 19 in Width	1
12	9003141	Back Seat Rigidizer - Carbon Fiber Pultrusion, 20 in Width	1



MAKE SURE TO HAVE YOUR SERIAL NUMBER  
 NEARBY WHEN ORDERING PARTS FOR YOUR  
 MOTION COMPOSITES WHEELCHAIR

**9003129**  
**Backrest - Ultralight, Fold Down, Non-Locking, Right, Depth Adjustable**

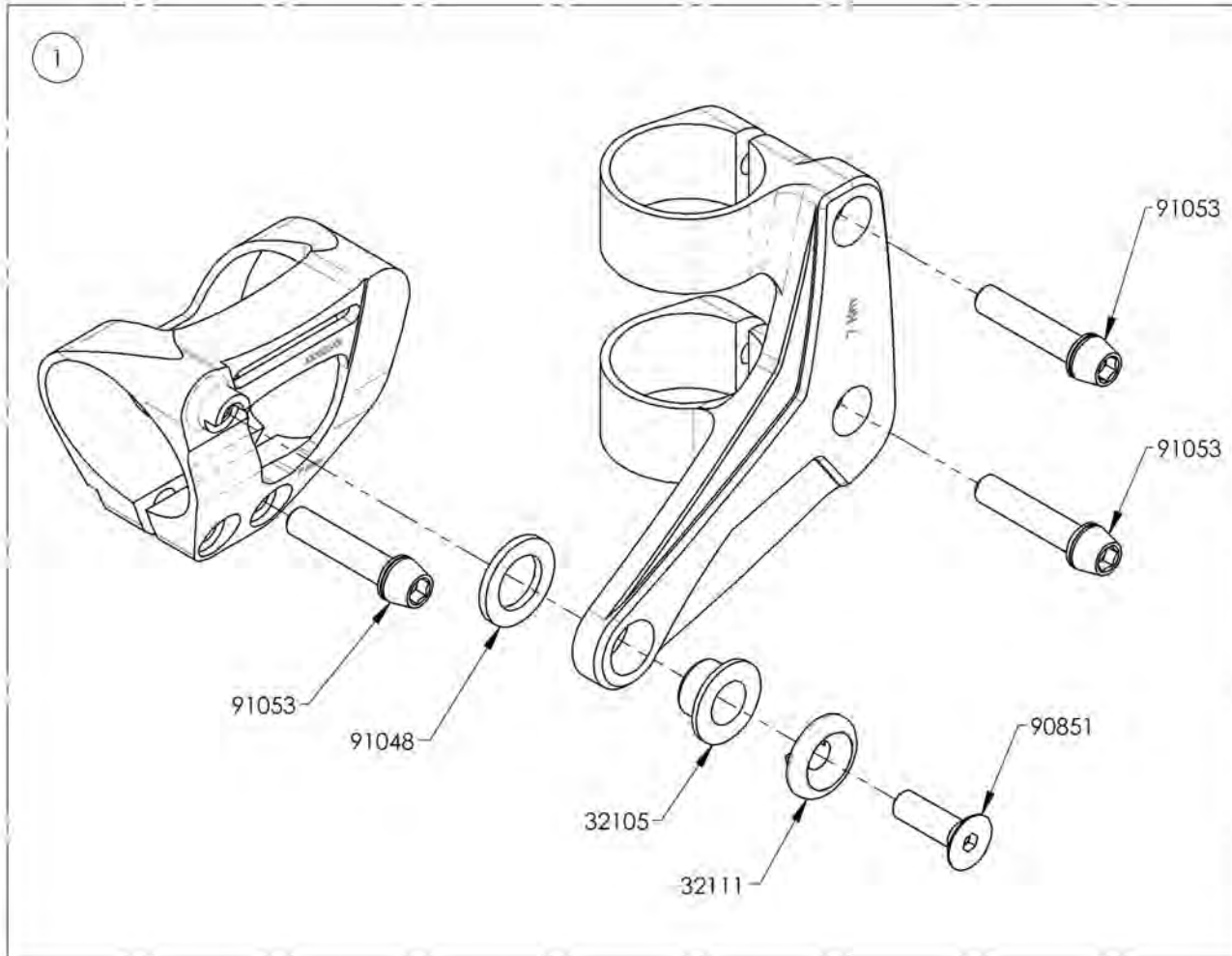
ITEM NO.	PARTNO	DESCRIPTION	9003129 /QTY.
1	32536	ULTRALIGHT NON LOCKING BACKREST, RIGHT - ASSEMBLY	1



MAKE SURE TO HAVE YOUR SERIAL NUMBER  
NEARBY WHEN ORDERING PARTS FOR YOUR  
MOTION COMPOSITES WHEELCHAIR

**9003130**  
**Backrest - Ultralight, Fold Down, Non-Locking, Left, Depth Adjustable**

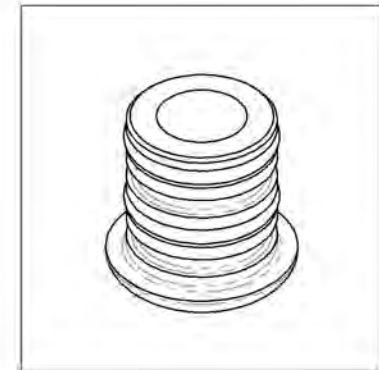
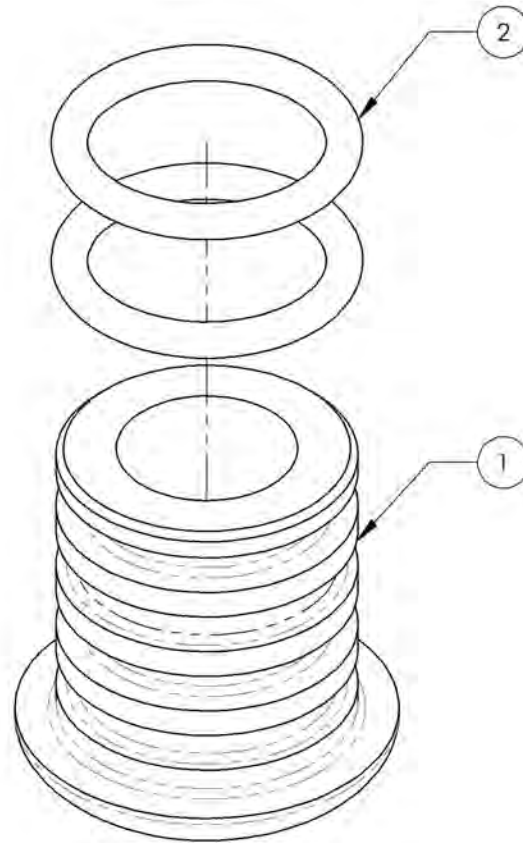
ITEM NO.	PARTNO	DESCRIPTION	9003130 /QTY.
1	32537	ULTRALIGHT NON LOCKING BACKREST, LEFT - ASSEMBLY	1



MAKE SURE TO HAVE YOUR SERIAL NUMBER  
NEARBY WHEN ORDERING PARTS FOR YOUR  
MOTION COMPOSITES WHEELCHAIR

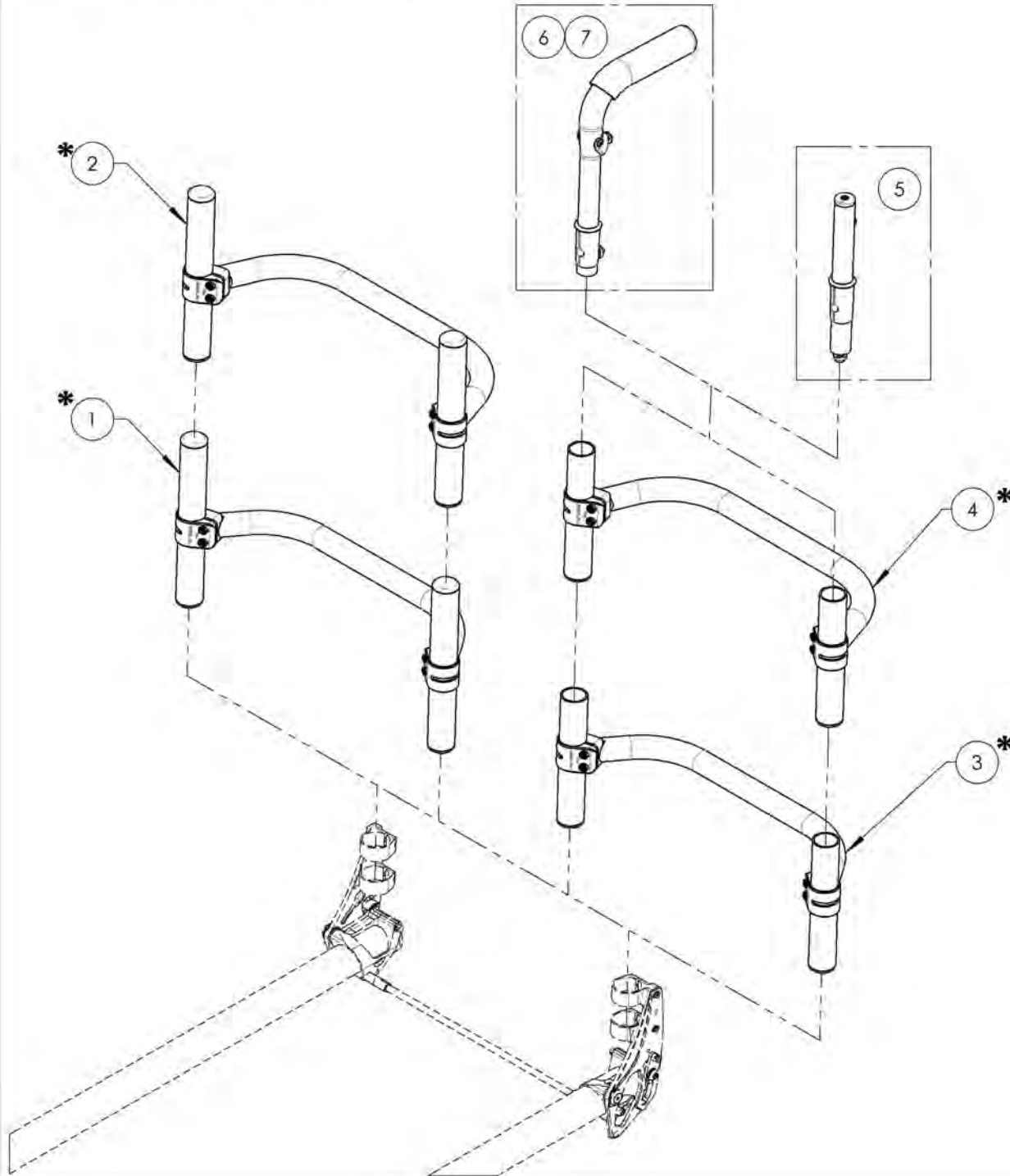
**9003254**  
**Backrest - Ultralight, Bottom End Plug**

ITEM NO.	PARTNO	DESCRIPTION	9003254 /QTY.
1	32102	BACKREST BOTTOM END PLUG	1
2	32121	O-RING 2.4mm WD. 15.8mm ID	2



MAKE SURE TO HAVE YOUR SERIAL NUMBER  
NEARBY WHEN ORDERING PARTS FOR YOUR  
MOTION COMPOSITES WHEELCHAIR

**Backrests Catalogue**  
**Fold Down & Locking Alu Back Cane Assembly**



ITEM NO.	PARTNO	DESCRIPTION	QTY
1*	9004754 TO 9005026	Backrest - Aluminum, Fold Down & Locking, Fixed	1
2*	9005219 TO 9005429	Backrest - Aluminum, 4in Deep, Fold Down & Locking, Fixed	1
3*	9005508 TO 9005551	Backrest - Aluminum, Fold Down & Locking	1
4*	9005648 TO 9005681	Backrest - Aluminum, 4in Deep, Fold Down & Locking	1
5	9001286	Without Push Handle - Straight Extension	1
6	9001285	Push Handle - Adjustable	1
7	9002915	HD Push Handle - Adjustable	1

**\*NOTE : REFER TO THE BACKREST PAGE  
 FOR DETAIL ABOUT AVAILABLE WIDTH  
 AND HEIGHT**

MAKE SURE TO HAVE YOUR SERIAL NUMBER  
 NEARBY WHEN ORDERING PARTS FOR YOUR  
 MOTION COMPOSITES WHEELCHAIR

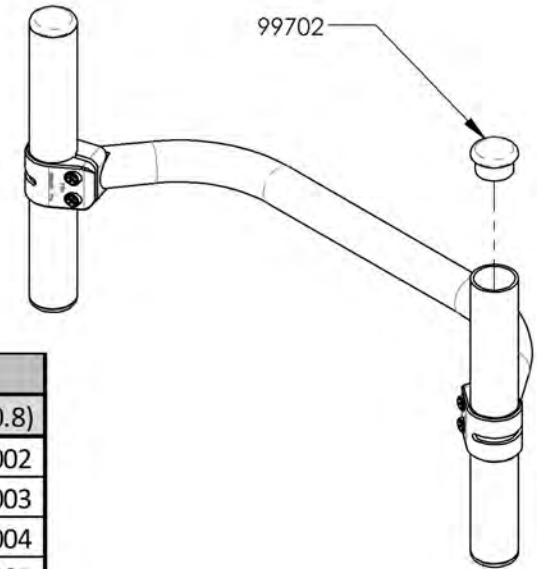
9004754\_9005026

Backrest - Aluminum, Fold Down & Locking, Fixed

**NOTE: PLEASE CONTACT OUR CUSTOMER SERVICE TO SET RIGIDIZER BAR HEIGHT**

Standard Height is 5in (12.7cm)  
 Lowest position is 4.25in (10.8cm)

**COMPONENT MUST BE MACHINED AND ASSEMBLED BY MOTION COMPOSITES.**



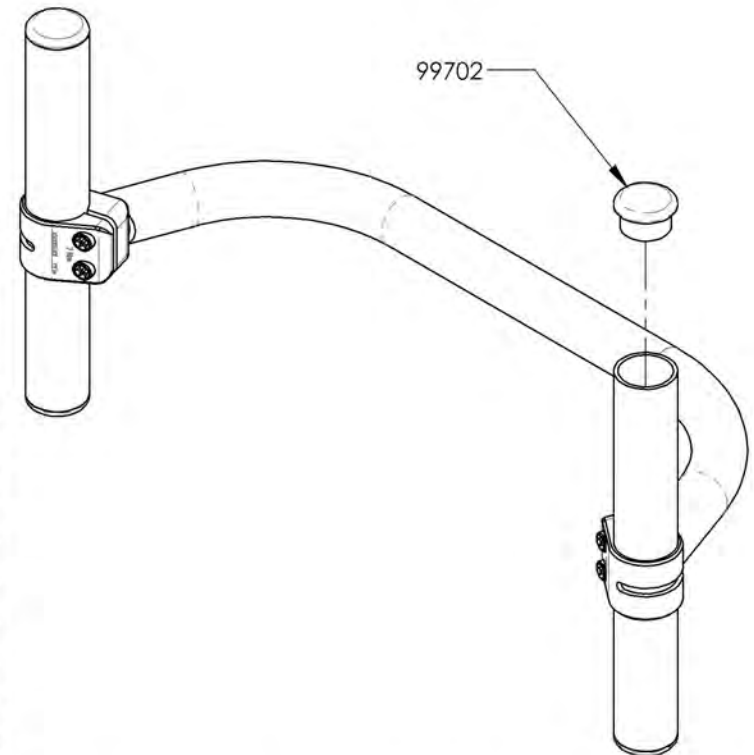
BACKREST DIMENSIONS		WIDTH in inches (cm)								
		12 (30.5)	13 (33.0)	14 (35.6)	15 (38.1)	16 (40.6)	17 (43.2)	18 (45.7)	19 (48.3)	20 (50.8)
HEIGHT in inches (cm)	9 (22.9)	9004754	9004785	9004816	9004847	9004878	9004909	9004940	9004971	9005002
	9.5 (24.1)	9004755	9004786	9004817	9004848	9004879	9004910	9004941	9004972	9005003
	10 (25.4)	9004756	9004787	9004818	9004849	9004880	9004911	9004942	9004973	9005004
	10.5 (26.7)	9004757	9004788	9004819	9004850	9004881	9004912	9004943	9004974	9005005
	11 (27.9)	9004758	9004789	9004820	9004851	9004882	9004913	9004944	9004975	9005006
	11.5 (29.2)	9004759	9004790	9004821	9004852	9004883	9004914	9004945	9004976	9005007
	12 (30.5)	9004760	9004791	9004822	9004853	9004884	9004915	9004946	9004977	9005008
	12.5 (31.8)	9004761	9004792	9004823	9004854	9004885	9004916	9004947	9004978	9005009
	13 (33)	9004762	9004793	9004824	9004855	9004886	9004917	9004948	9004979	9005010
	13.5 (34.3)	9004763	9004794	9004825	9004856	9004887	9004918	9004949	9004980	9005011
	14 (35.6)	9004764	9004795	9004826	9004857	9004888	9004919	9004950	9004981	9005012
	14.5 (36.8)	9004765	9004796	9004827	9004858	9004889	9004920	9004951	9004982	9005013
	15 (38.1)	9004766	9004797	9004828	9004859	9004890	9004921	9004952	9004983	9005014
	15.5 (39.4)	9004767	9004798	9004829	9004860	9004891	9004922	9004953	9004984	9005015
	16 (40.6)	9004768	9004799	9004830	9004861	9004892	9004923	9004954	9004985	9005016
	16.5 (41.9)	9004769	9004800	9004831	9004862	9004893	9004924	9004955	9004986	9005017
	17 (43.2)	9004770	9004801	9004832	9004863	9004894	9004925	9004956	9004987	9005018
	17.5 (44.5)	9004771	9004802	9004833	9004864	9004895	9004926	9004957	9004988	9005019
	18 (45.7)	9004772	9004803	9004834	9004865	9004896	9004927	9004958	9004989	9005020
	18.5 (47)	9004773	9004804	9004835	9004866	9004897	9004928	9004959	9004990	9005021
	19 (48.3)	9004774	9004805	9004836	9004867	9004898	9004929	9004960	9004991	9005022
19.5 (49.5)	9004775	9004806	9004837	9004868	9004899	9004930	9004961	9004992	9005023	
20 (50.8)	9004776	9004807	9004838	9004869	9004900	9004931	9004962	9004993	9005024	
20.5 (52.1)	9004777	9004808	9004839	9004870	9004901	9004932	9004963	9004994	9005025	
21 (53.3)	9004778	9004809	9004840	9004871	9004902	9004933	9004964	9004995	9005026	

MAKE SURE TO HAVE YOUR SERIAL NUMBER NEARBY WHEN ORDERING PARTS FOR YOUR MOTION COMPOSITES WHEELCHAIR

**9005219\_9005429**

**Backrest - Aluminum, 4in Deep, Fold Down & Locking, Fixed**

BACKREST DIMENSIONS		WIDTH in inches (cm)						
		14 (35.6)	15 (38.1)	16 (40.6)	17 (43.2)	18 (45.7)	19 (48.3)	20 (50.8)
HEIGHT in inches (cm)	9 (22.9)	9005219	9005250	9005281	9005312	9005343	9005374	9005405
	9.5 (24.1)	9005220	9005251	9005282	9005313	9005344	9005375	9005406
	10 (25.4)	9005221	9005252	9005283	9005314	9005345	9005376	9005407
	10.5 (26.7)	9005222	9005253	9005284	9005315	9005346	9005377	9005408
	11 (27.9)	9005223	9005254	9005285	9005316	9005347	9005378	9005409
	11.5 (29.2)	9005224	9005255	9005286	9005317	9005348	9005379	9005410
	12 (30.5)	9005225	9005256	9005287	9005318	9005349	9005380	9005411
	12.5 (31.8)	9005226	9005257	9005288	9005319	9005350	9005381	9005412
	13 (33)	9005227	9005258	9005289	9005320	9005351	9005382	9005413
	13.5 (34.3)	9005228	9005259	9005290	9005321	9005352	9005383	9005414
	14 (35.6)	9005229	9005260	9005291	9005322	9005353	9005384	9005415
	14.5 (36.8)	9005230	9005261	9005292	9005323	9005354	9005385	9005416
	15 (38.1)	9005231	9005262	9005293	9005324	9005355	9005386	9005417
	15.5 (39.4)	9005232	9005263	9005294	9005325	9005356	9005387	9005418
	16 (40.6)	9005233	9005264	9005295	9005326	9005357	9005388	9005419
	16.5 (41.9)	9005234	9005265	9005296	9005327	9005358	9005389	9005420
	17 (43.2)	9005235	9005266	9005297	9005328	9005359	9005390	9005421
	17.5 (44.5)	9005236	9005267	9005298	9005329	9005360	9005391	9005422
	18 (45.7)	9005237	9005268	9005299	9005330	9005361	9005392	9005423
	18.5 (47)	9005238	9005269	9005300	9005331	9005362	9005393	9005424
	19 (48.3)	9005239	9005270	9005301	9005332	9005363	9005394	9005425
19.5 (49.5)	9005240	9005271	9005302	9005333	9005364	9005395	9005426	
20 (50.8)	9005241	9005272	9005303	9005334	9005365	9005396	9005427	
20.5 (52.1)	9005242	9005273	9005304	9005335	9005366	9005397	9005428	
21 (53.3)	9005243	9005274	9005305	9005336	9005367	9005398	9005429	



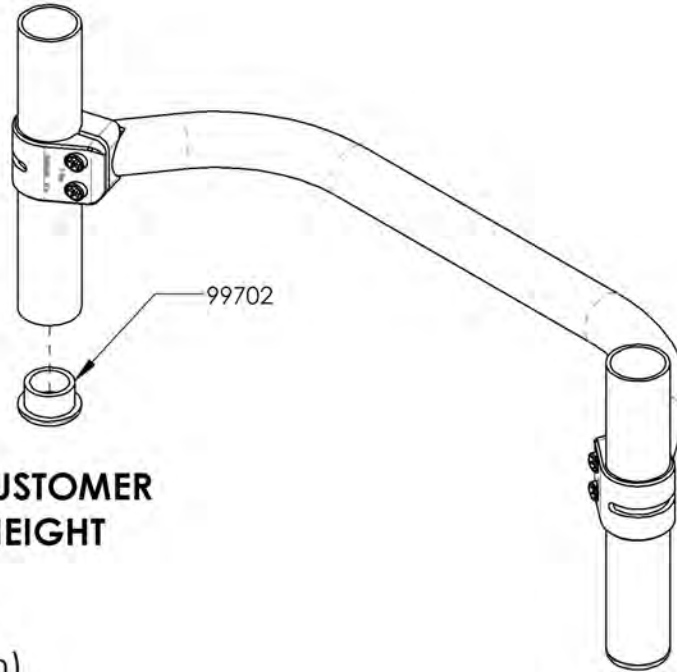
**NOTE: PLEASE CONTACT OUR CUSTOMER SERVICE TO SET RIGIDIZER BAR HEIGHT**

Standard Height is 5in (12.7cm)  
 Lowest position is 4.25in (10.8cm)

**COMPONENT MUST BE MACHINED AND ASSEMBLED BY MOTION COMPOSITES.**

MAKE SURE TO HAVE YOUR SERIAL NUMBER NEARBY WHEN ORDERING PARTS FOR YOUR MOTION COMPOSITES WHEELCHAIR

**9005508\_9005551**  
**Backrest - Aluminum, Fold Down & Locking**



**NOTE: PLEASE CONTACT OUR CUSTOMER SERVICE TO SET RIGIDIZER BAR HEIGHT**

Standard Height is 5in (12.7cm)  
 Lowest position is 4.25in (10.8cm)

**COMPONENT MUST BE MACHINED AND ASSEMBLED BY MOTION COMPOSITES.**

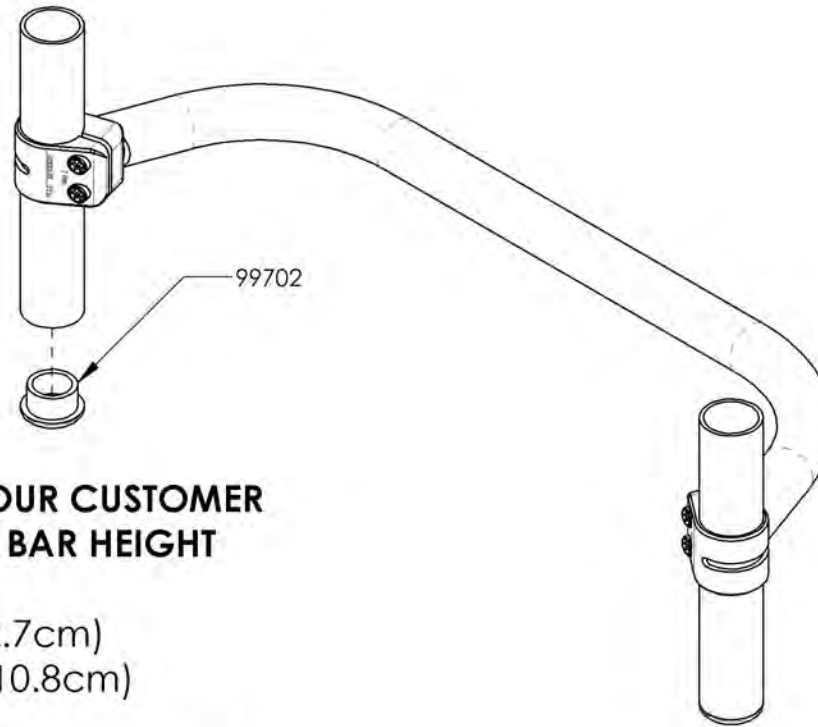
BACKREST DIMENSIONS		WIDTH in inches (cm)								
		12 (30.5)	13 (33.0)	14 (35.6)	15 (38.1)	16 (40.6)	17 (43.2)	18 (45.7)	19 (48.3)	20 (50.8)
HEIGHT in inches (cm)	9-12 (22.9-30.5)	9005508	9005513	9005518	9005523	9005528	9005533	9005538	9005543	9005548
	12-15 (30.5-38.1)	9005509	9005514	9005519	9005524	9005529	9005534	9005539	9005544	9005549
	15-18 (38.1-45.7)	9005510	9005515	9005520	9005525	9005530	9005535	9005540	9005545	9005550
	18-21 (45.7-53.3)	9005511	9005516	9005521	9005526	9005531	9005536	9005541	9005546	9005551

MAKE SURE TO HAVE YOUR SERIAL NUMBER NEARBY WHEN ORDERING PARTS FOR YOUR MOTION COMPOSITES WHEELCHAIR



9005648\_9005681

Backrest - Aluminum, 4in Deep, Fold Down & Locking



**NOTE: PLEASE CONTACT OUR CUSTOMER SERVICE TO SET RIGIDIZER BAR HEIGHT**

Standard Height is 5in (12.7cm)  
Lowest position is 4.25in (10.8cm)

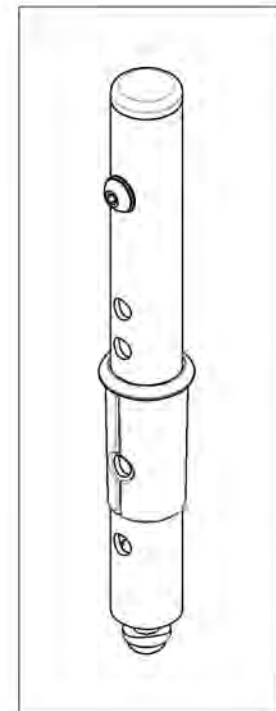
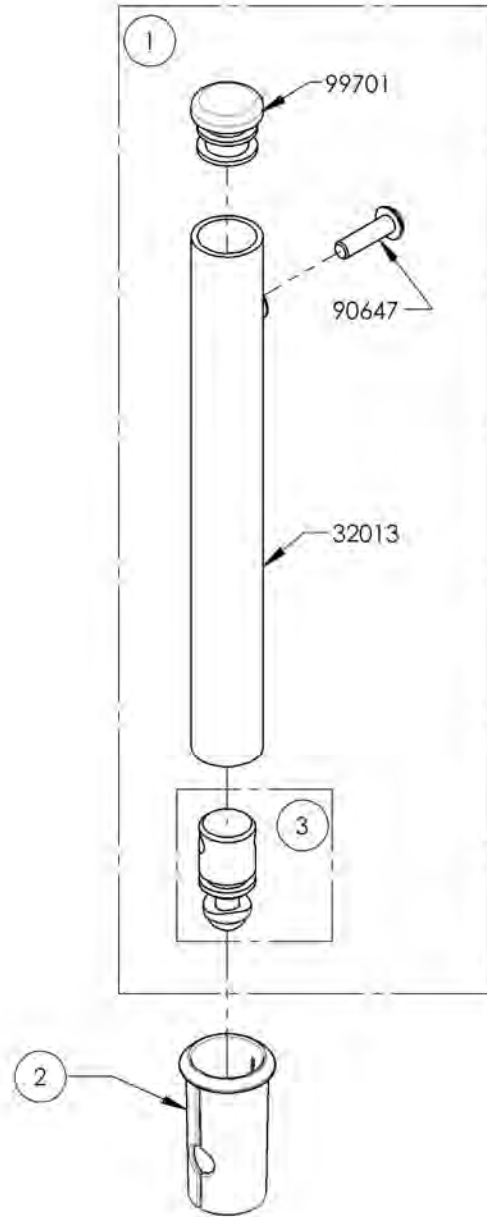
**COMPONENT MUST BE MACHINED AND ASSEMBLED BY MOTION COMPOSITES.**

BACKREST DIMENSIONS		WIDTH in inches (cm)						
		14 (35.6)	15 (38.1)	16 (40.6)	17 (43.2)	18 (45.7)	19 (48.3)	20 (50.8)
HEIGHT in inches (cm)	9-12 (22.9-30.5)	9005648	9005653	9005658	9005663	9005668	9005673	9005678
	12-15 (30.5-38.1)	9005649	9005654	9005659	9005664	9005669	9005674	9005679
	15-18 (38.1-45.7)	9005650	9005655	9005660	9005665	9005670	9005675	9005680
	18-21 (45.7-53.3)	9005651	9005656	9005661	9005666	9005671	9005676	9005681

MAKE SURE TO HAVE YOUR SERIAL NUMBER NEARBY WHEN ORDERING PARTS FOR YOUR MOTION COMPOSITES WHEELCHAIR

**9001286**  
**Without Push Handle - Straight Extension**

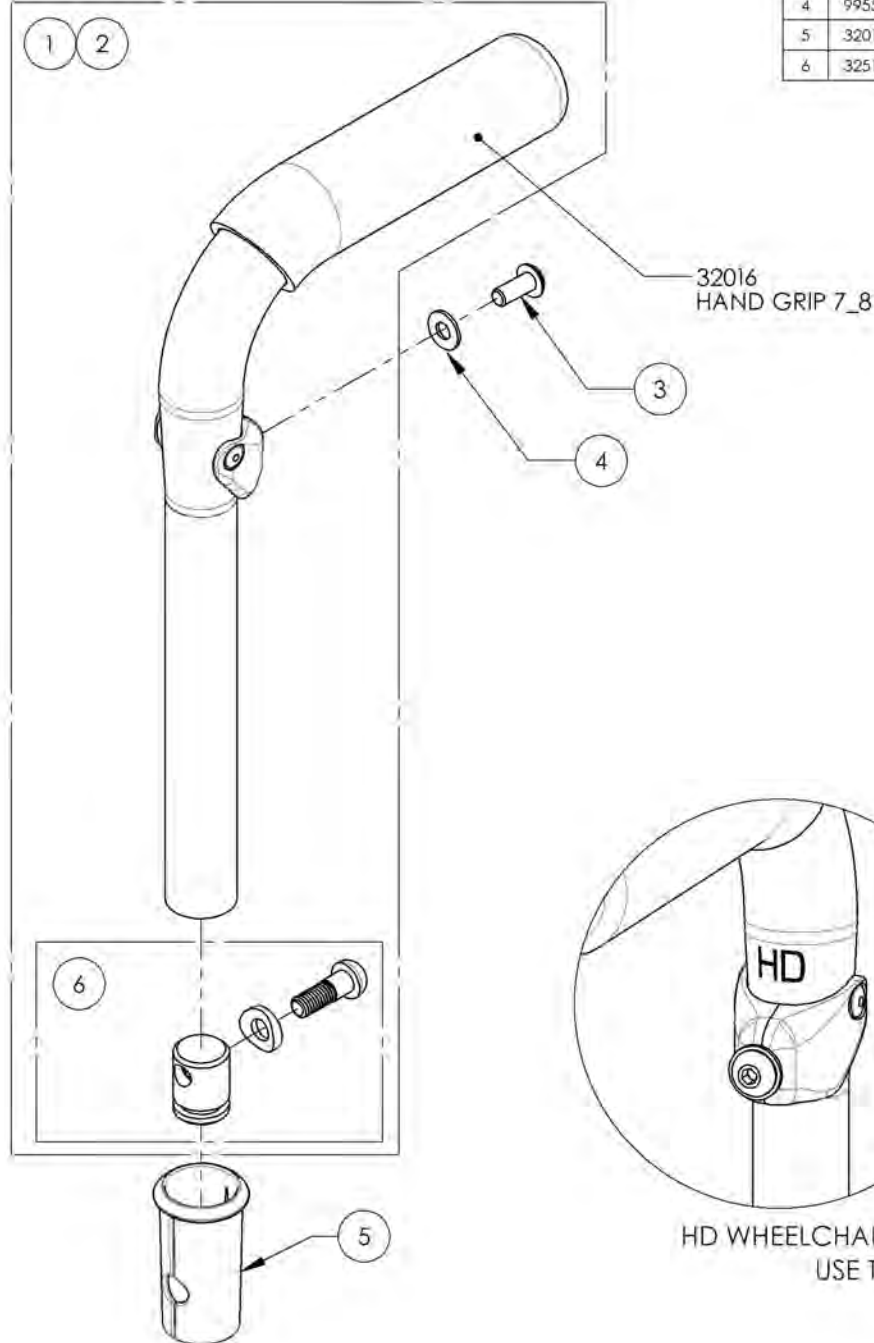
ITEM NO.	PARTNO	DESCRIPTION	9001286 /QTY.	REPLACEMENT PART/QTY.
1	32506	BACK EXTENSION - ASSEMBLY (M)	1	-
2	32017	PUSH HANDLE BACK SLEEVE	1	-
3	32514	DOWEL NUT PUSH HANDLE - ASSEMBLY (M)	-	1



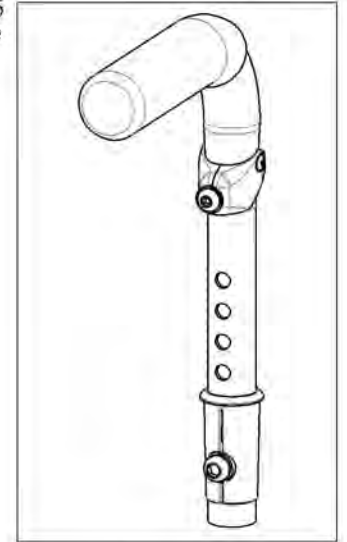
MAKE SURE TO HAVE YOUR SERIAL NUMBER  
 NEARBY WHEN ORDERING PARTS FOR YOUR  
 MOTION COMPOSITES WHEELCHAIR

**9001285 & 9002915  
Standard & HD Push Handle - Adjustable**

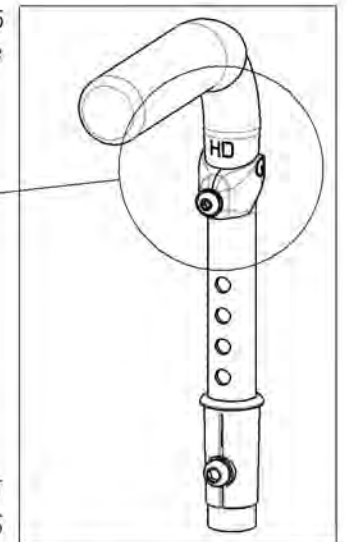
ITEM NO.	PARTNO	DESCRIPTION	9001285 /QTY.	9002915 /QTY.	REPLACEMENT PARTS/QTY.
1	32507	7_8" PUSH HANDLE - ASSEMBLY (M)	1	-	-
2	32533	7_8 in HD PUSH HANDLE - ASSEMBLY	-	1	-
3	90644	BUTTON HEAD CAP SCREW M5X0.8 X 12mm LONG, FULLY THREADED + BLUE THREADLOCKER - BLACK ZINC	1	1	-
4	99550	WASHER #10 ,200 ID X 7_16 OD X .037 THK - BLACK ZINC	1	1	-
5	32017	PUSH HANDLE BACK SLEEVE	1	1	-
6	32514	DOWEL NUT PUSH HANDLE - ASSEMBLY (M)	-	-	1



9001285  
Push Handle - Adjustable



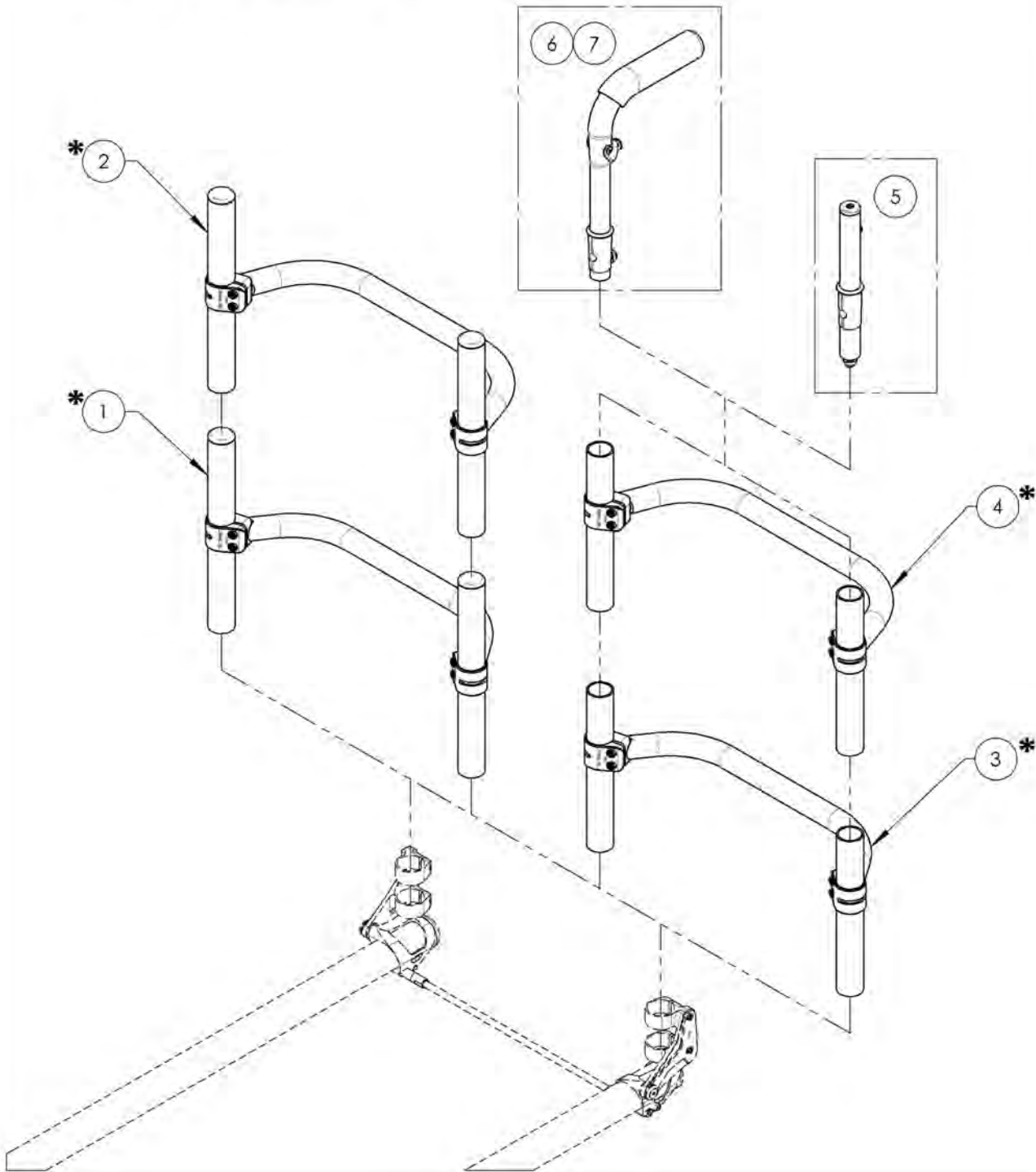
9002915  
HD Push Handle - Adjustable



HD WHEELCHAIRS AND STROLLER HANDLE USERS MUST  
USE THE HD VERSION OF THE PUSH HANDLES

MAKE SURE TO HAVE YOUR SERIAL NUMBER  
NEARBY WHEN ORDERING PARTS FOR YOUR  
MOTION COMPOSITES WHEELCHAIR

**Backrests Catalogue**  
**Ultralight Alu Back Cane Assembly**



ITEM NO.	PARTNO	DESCRIPTION	QTY
1*	9006626 TO 9006895	Backrest - Aluminum, Ultralight, Fixed	1
2*	9007091 TO 9007298	Backrest - Aluminum, 4in Deep, Ultralight, Fixed	1
3*	9007380 TO 9007423	Backrest - Aluminum, Ultralight	1
4*	9007520 TO 9007553	Backrest - Aluminum, 4in Deep, Ultralight	1
5	9001286	Without Push Handle - Straight Extension	1
6	9001285	Push Handle - Adjustable	1
7	9002915	HD Push Handle - Adjustable	1

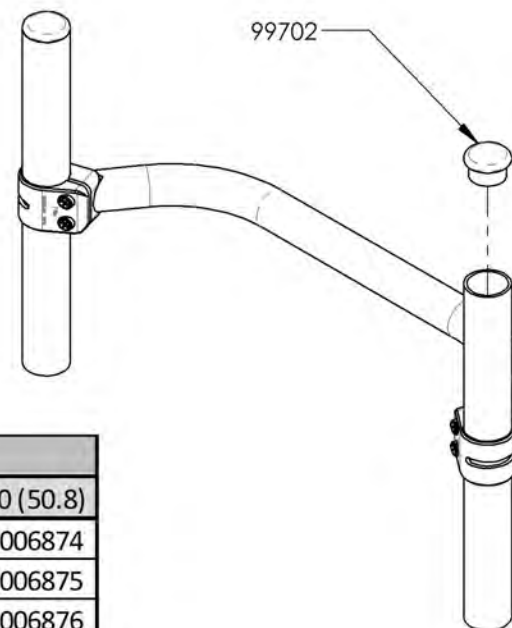
**\*NOTE : REFER TO THE BACKREST PAGE FOR DETAIL ABOUT AVAILABLE WIDTH AND HEIGHT**

MAKE SURE TO HAVE YOUR SERIAL NUMBER NEARBY WHEN ORDERING PARTS FOR YOUR MOTION COMPOSITES WHEELCHAIR

**NOTE: PLEASE CONTACT OUR CUSTOMER SERVICE TO SET RIGIDIZER BAR HEIGHT**

Standard Height is 5in (12.7cm)  
 Lowest position is 4.25in (10.8cm)

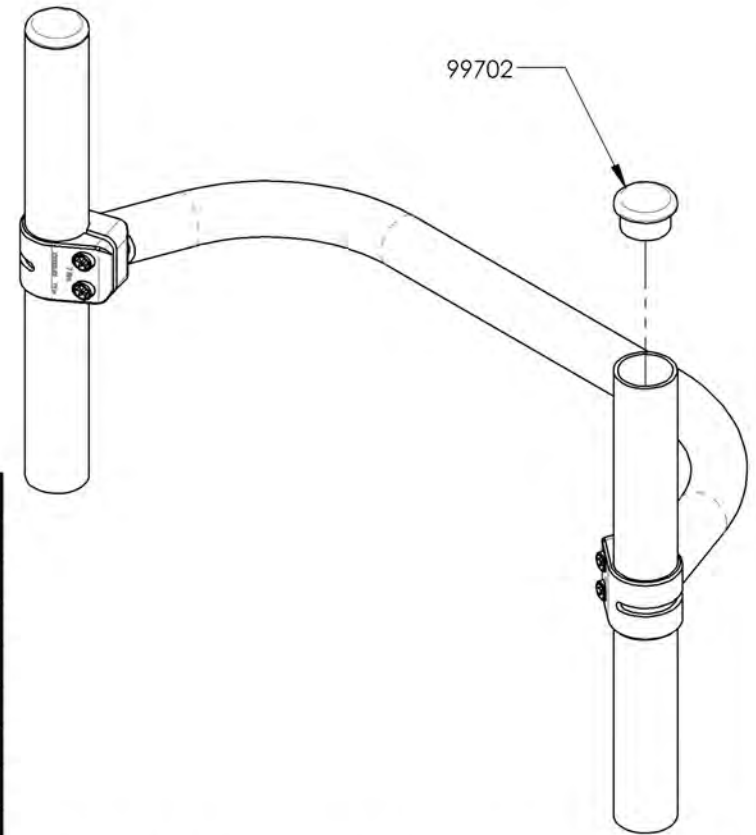
**COMPONENT MUST BE MACHINED AND ASSEMBLED BY MOTION COMPOSITES.**



BACKREST DIMENSIONS		WIDTH in inches (cm)								
		12 (30.5)	13 (33.0)	14 (35.6)	15 (38.1)	16 (40.6)	17 (43.2)	18 (45.7)	19 (48.3)	20 (50.8)
HEIGHT in inches (cm)	9 (22.9)	9006626	9006657	9006688	9006719	9006750	9006781	9006812	9006843	9006874
	9.5 (24.1)	9006627	9006658	9006689	9006720	9006751	9006782	9006813	9006844	9006875
	10 (25.4)	9006628	9006659	9006690	9006721	9006752	9006783	9006814	9006845	9006876
	10.5 (26.7)	9006629	9006660	9006691	9006722	9006753	9006784	9006815	9006846	9006877
	11 (27.9)	9006630	9006661	9006692	9006723	9006754	9006785	9006816	9006847	9006878
	11.5 (29.2)	9006631	9006662	9006693	9006724	9006755	9006786	9006817	9006848	9006879
	12 (30.5)	9006632	9006663	9006694	9006725	9006756	9006787	9006818	9006849	9006880
	12.5 (31.8)	9006633	9006664	9006695	9006726	9006757	9006788	9006819	9006850	9006881
	13 (33)	9006634	9006665	9006696	9006727	9006758	9006789	9006820	9006851	9006882
	13.5 (34.3)	9006635	9006666	9006697	9006728	9006759	9006790	9006821	9006852	9006883
	14 (35.6)	9006636	9006667	9006698	9006729	9006760	9006791	9006822	9006853	9006884
	14.5 (36.8)	9006637	9006668	9006699	9006730	9006761	9006792	9006823	9006854	9006885
	15 (38.1)	9006638	9006669	9006700	9006731	9006762	9006793	9006824	9006855	9006886
	15.5 (39.4)	9006639	9006670	9006701	9006732	9006763	9006794	9006825	9006856	9006887
	16 (40.6)	9006640	9006671	9006702	9006733	9006764	9006795	9006826	9006857	9006888
	16.5 (41.9)	9006641	9006672	9006703	9006734	9006765	9006796	9006827	9006858	9006889
	17 (43.2)	9006642	9006673	9006704	9006735	9006766	9006797	9006828	9006859	9006890
	17.5 (44.5)	9006643	9006674	9006705	9006736	9006767	9006798	9006829	9006860	9006891
18 (45.7)	9006644	9006675	9006706	9006737	9006768	9006799	9006830	9006861	9006892	
18.5 (47)	9006645	9006676	9006707	9006738	9006769	9006800	9006831	9006862	9006893	
19 (48.3)	9006646	9006677	9006708	9006739	9006770	9006801	9006832	9006863	9006894	
19.5 (49.5)	9006647	9006678	9006709	9006740	9006771	9006802	9006833	9006864	9006895	

MAKE SURE TO HAVE YOUR SERIAL NUMBER NEARBY WHEN ORDERING PARTS FOR YOUR MOTION COMPOSITES WHEELCHAIR

**9007091\_9007298**  
**Backrest - Aluminum, 4in Deep, Ultralight, Fixed**



BACKREST DIMENSIONS		WIDTH in inches (cm)						
		14 (35.6)	15 (38.1)	16 (40.6)	17 (43.2)	18 (45.7)	19 (48.3)	20 (50.8)
HEIGHT in inches (cm)	9 (22.9)	9007091	9007122	9007153	9007184	9007215	9007246	9007277
	9.5 (24.1)	9007092	9007123	9007154	9007185	9007216	9007247	9007278
	10 (25.4)	9007093	9007124	9007155	9007186	9007217	9007248	9007279
	10.5 (26.7)	9007094	9007125	9007156	9007187	9007218	9007249	9007280
	11 (27.9)	9007095	9007126	9007157	9007188	9007219	9007250	9007281
	11.5 (29.2)	9007096	9007127	9007158	9007189	9007220	9007251	9007282
	12 (30.5)	9007097	9007128	9007159	9007190	9007221	9007252	9007283
	12.5 (31.8)	9007098	9007129	9007160	9007191	9007222	9007253	9007284
	13 (33)	9007099	9007130	9007161	9007192	9007223	9007254	9007285
	13.5 (34.3)	9007100	9007131	9007162	9007193	9007224	9007255	9007286
	14 (35.6)	9007101	9007132	9007163	9007194	9007225	9007256	9007287
	14.5 (36.8)	9007102	9007133	9007164	9007195	9007226	9007257	9007288
	15 (38.1)	9007103	9007134	9007165	9007196	9007227	9007258	9007289
	15.5 (39.4)	9007104	9007135	9007166	9007197	9007228	9007259	9007290
	16 (40.6)	9007105	9007136	9007167	9007198	9007229	9007260	9007291
	16.5 (41.9)	9007106	9007137	9007168	9007199	9007230	9007261	9007292
	17 (43.2)	9007107	9007138	9007169	9007200	9007231	9007262	9007293
	17.5 (44.5)	9007108	9007139	9007170	9007201	9007232	9007263	9007294
18 (45.7)	9007109	9007140	9007171	9007202	9007233	9007264	9007295	
18.5 (47)	9007110	9007141	9007172	9007203	9007234	9007265	9007296	
19 (48.3)	9007111	9007142	9007173	9007204	9007235	9007266	9007297	
19.5 (49.5)	9007112	9007143	9007174	9007205	9007236	9007267	9007298	

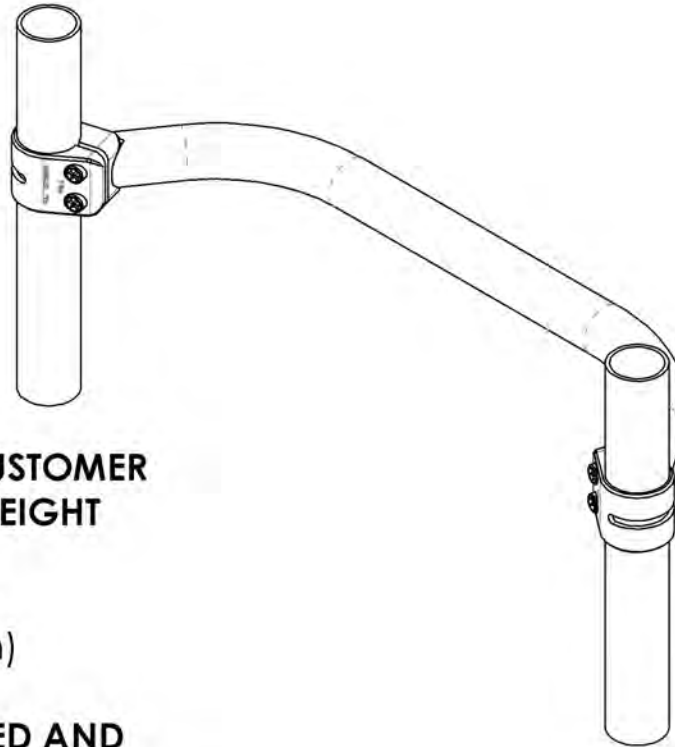
**NOTE: PLEASE CONTACT OUR CUSTOMER SERVICE TO SET RIGIDIZER BAR HEIGHT**

Standard Height is 5in (12.7cm)  
 Lowest position is 4.25in (10.8cm)

**COMPONENT MUST BE MACHINED AND ASSEMBLED BY MOTION COMPOSITES.**

MAKE SURE TO HAVE YOUR SERIAL NUMBER NEARBY WHEN ORDERING PARTS FOR YOUR MOTION COMPOSITES WHEELCHAIR

**9007380\_9007423**  
**Backrest - Aluminum, Ultralight**



**NOTE: PLEASE CONTACT OUR CUSTOMER SERVICE TO SET RIGIDIZER BAR HEIGHT**

Standard Height is 5in (12.7cm)  
 Lowest position is 4.25in (10.8cm)

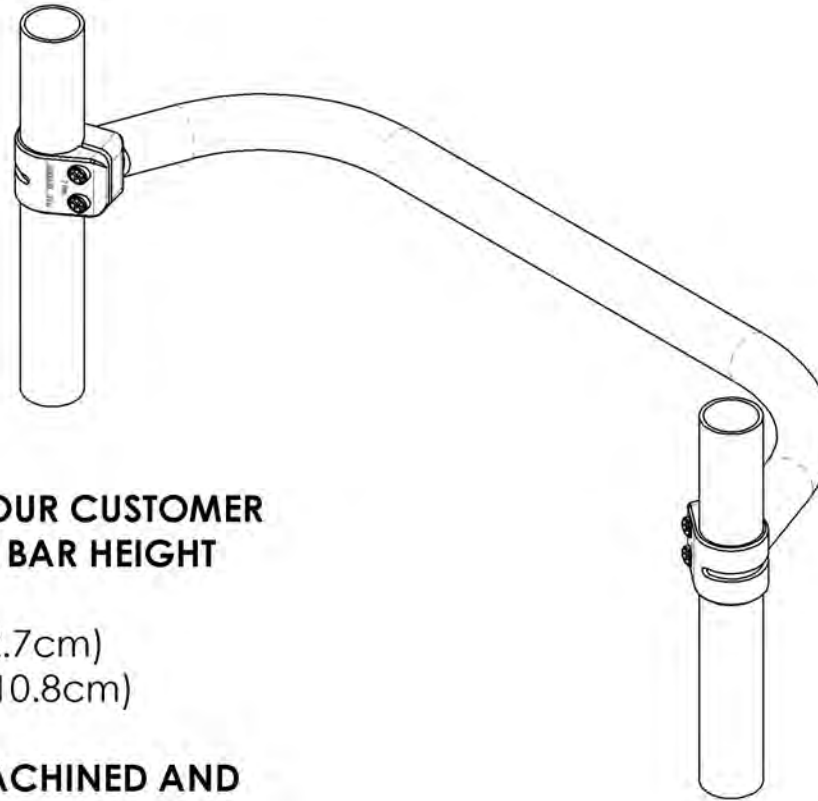
**COMPONENT MUST BE MACHINED AND ASSEMBLED BY MOTION COMPOSITES.**

BACKREST DIMENSIONS		WIDTH in inches (cm)								
		12 (30.5)	13 (33.0)	14 (35.6)	15 (38.1)	16 (40.6)	17 (43.2)	18 (45.7)	19 (48.3)	20 (50.8)
HEIGHT in inches (cm)	9-12 (22.9-30.5)	9007380	9007385	9007390	9007395	9007400	9007405	9007410	9007415	9007420
	12-15 (30.5-38.1)	9007381	9007386	9007391	9007396	9007401	9007406	9007411	9007416	9007421
	15-18 (38.1-45.7)	9007382	9007387	9007392	9007397	9007402	9007407	9007412	9007417	9007422
	18-21 (45.7-53.3)	9007383	9007388	9007393	9007398	9007403	9007408	9007413	9007418	9007423

MAKE SURE TO HAVE YOUR SERIAL NUMBER NEARBY WHEN ORDERING PARTS FOR YOUR MOTION COMPOSITES WHEELCHAIR

9007520\_9007553

Backrest - Aluminum, 4in Deep, Ultralight



**NOTE: PLEASE CONTACT OUR CUSTOMER SERVICE TO SET RIGIDIZER BAR HEIGHT**

Standard Height is 5in (12.7cm)  
Lowest position is 4.25in (10.8cm)

**COMPONENT MUST BE MACHINED AND ASSEMBLED BY MOTION COMPOSITES.**

BACKREST DIMENSIONS		WIDTH in inches (cm)						
		14 (35.6)	15 (38.1)	16 (40.6)	17 (43.2)	18 (45.7)	19 (48.3)	20 (50.8)
HEIGHT in inches (cm)	9-12 (22.9-30.5)	9007520	9007525	9007530	9007535	9007540	9007545	9007550
	12-15 (30.5-38.1)	9007521	9007526	9007531	9007536	9007541	9007546	9007551
	15-18 (38.1-45.7)	9007522	9007527	9007532	9007537	9007542	9007547	9007552
	18-21 (45.7-53.3)	9007523	9007528	9007533	9007538	9007543	9007548	9007553

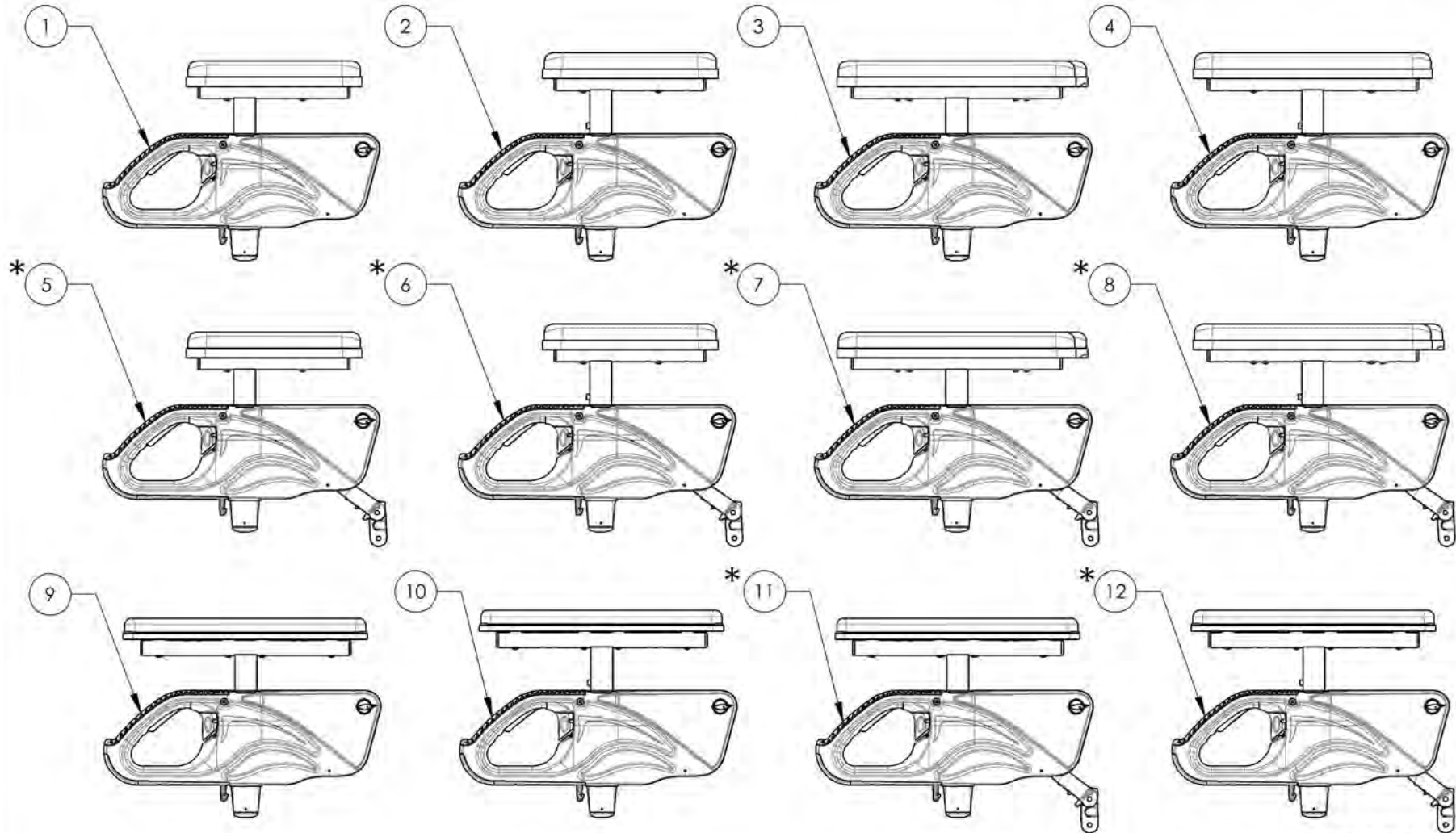
MAKE SURE TO HAVE YOUR SERIAL NUMBER NEARBY WHEN ORDERING PARTS FOR YOUR MOTION COMPOSITES WHEELCHAIR



**Quick Order Catalogue**  
**Complete Armrest Type 2 Pair Assembly**

\*:NOT AVAILABLE FOR KIDS & APEX WHEELCHAIRS

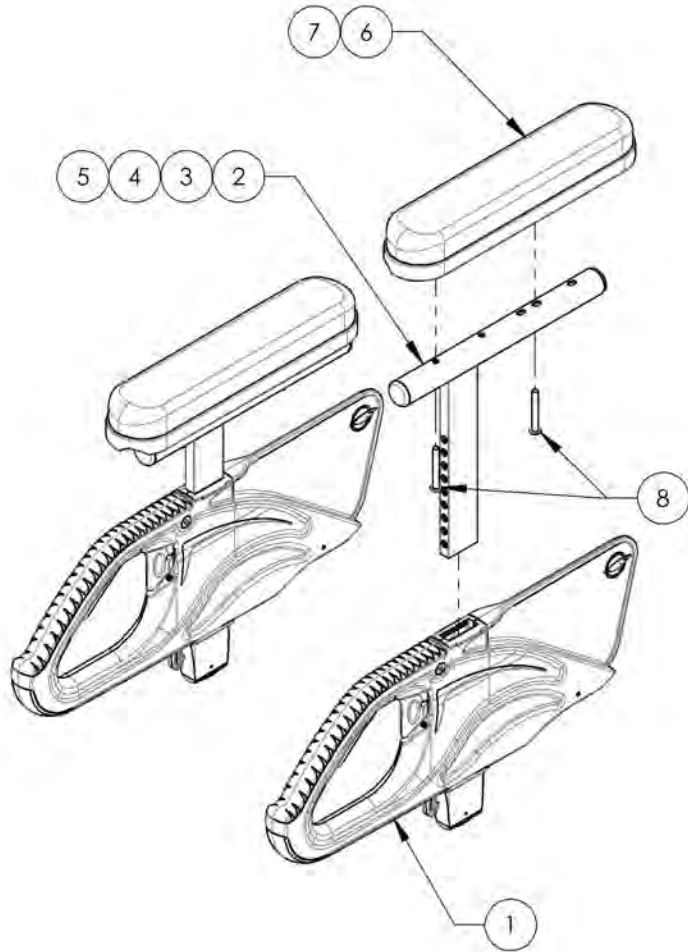
ITEM NO.	PARTNO	DESCRIPTION	QTY.
1	9002524	T Type Complete Armrest, 8-12 in, Desk Length (Pair)	1
2	9002525	T Type Complete Armrest, 10-14 in, Desk Length (Pair)	1
3	9002526	T Type Complete Armrest, 8-12 in, Full Length (Pair)	1
4	9002527	T Type Complete Armrest, 10-14 in, Full Length (Pair)	1
5*	9002528	Flip Back Type 2 Complete Armrest, 8-12 in, Desk Length (Pair)	1
6*	9002529	Flip Back Type 2 Complete Armrest, 10-14 in, Desk Length (Pair)	1
7*	9002530	Flip Back Type 2 Complete Armrest, 8-12 in, Full Length (Pair)	1
8*	9002531	Flip Back Type 2 Complete Armrest, 10-14 in, Full Length (Pair)	1
9	9002937	T Type Complete Armrest, 8-12 in, Gel Pad, Full Length (Pair)	1
10	9002938	T Type Complete Armrest, 10-14 in, Gel Pad, Full Length (Pair)	1
11*	9002941	Flip Back Type 2 Complete Armrest, 8-12 in, Gel Pad, Full Length (Pair)	1
12*	9002942	Flip Back Type 2 Complete Armrest, 10-14 in, Gel Pad, Full Length (Pair)	1



MAKE SURE TO HAVE YOUR SERIAL NUMBER  
 NEARBY WHEN ORDERING PARTS FOR YOUR  
 MOTION COMPOSITES WHEELCHAIR

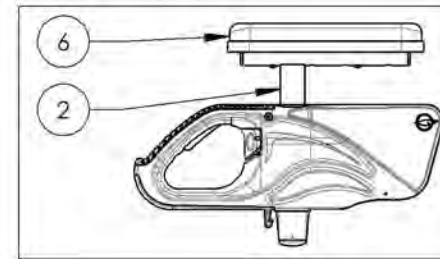
**9002524 9002527**

**T Type Complete Armrests, Desk & Full Length (Pair)**

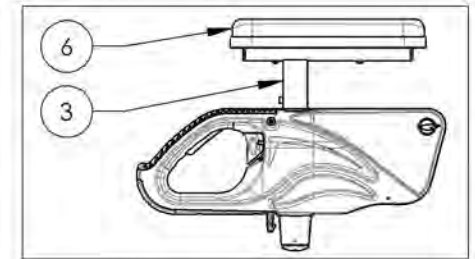


ITEM NO.	PARTNO	DESCRIPTION	9002524 /QTY.	9002525 /QTY.	9002526 /QTY.	9002527 /QTY.
1	33554	V2 ARMREST - MAIN BODY	2	2	2	2
2	33579	V2 ARMREST STRUCTURE 8-12" FOR DESK LENGTH - ASSEMBLY	2	-	-	-
3	33580	V2 ARMREST STRUCTURE 10-14" FOR DESK LENGTH - ASSEMBLY	-	2	-	-
4	33559	V2 ARMREST STRUCTURE 8-12" FOR FULL LENGTH - ASSEMBLY	-	-	2	-
5	33560	V2 ARMREST STRUCTURE 10-14" FOR FULL LENGTH - ASSEMBLY	-	-	-	2
6	33038	ARMREST DESK PAD	2	2	-	-
7	33039	ARMREST FULL LENGTH PAD	-	-	2	2
8	99013	SCREW PHILLIPS PAN HD #10_32 X 1_1_2 + BLUE THREADLOCKER	4	4	4	4

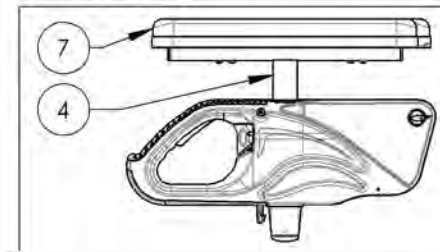
9002524  
T Type Complete Armrest, 8-12 in,  
Desk Length (Pair)



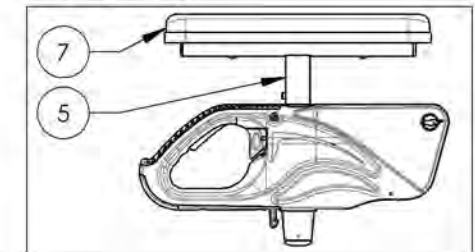
9002525  
T Type Complete Armrest, 10-14 in,  
Desk Length (Pair)



9002526  
T Type Complete Armrest, 8-12 in,  
Full Length (Pair)



9002527  
T Type Complete Armrest, 10-14 in,  
Full Length (Pair)

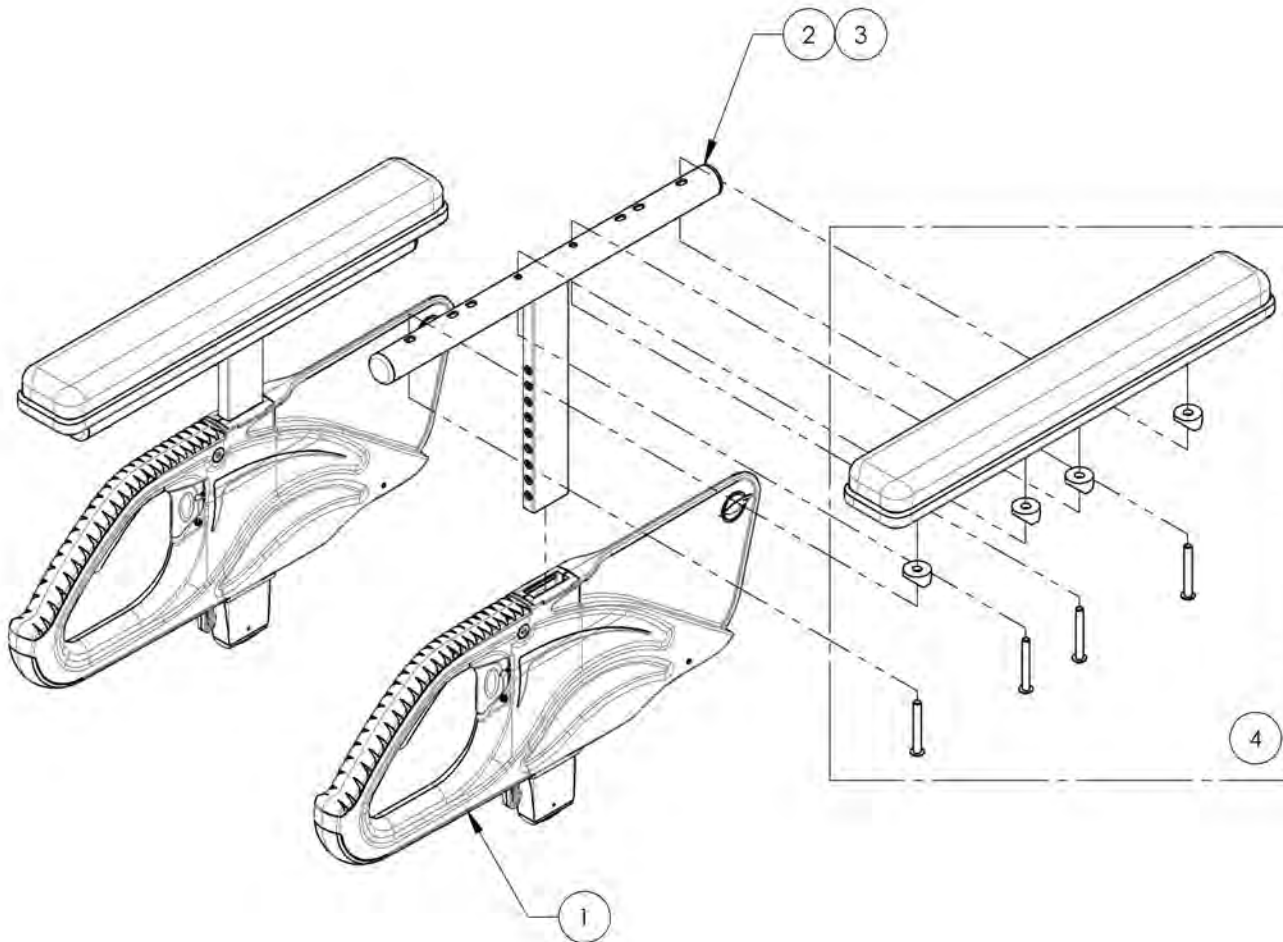


MAKE SURE TO HAVE YOUR SERIAL NUMBER NEARBY WHEN ORDERING PARTS FOR YOUR MOTION COMPOSITES WHEELCHAIR

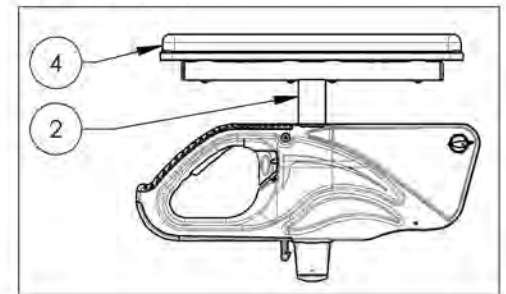
**9002937 9002938**

**T Type Complete Armrest, Gel Pad, Full Length (Pair)**

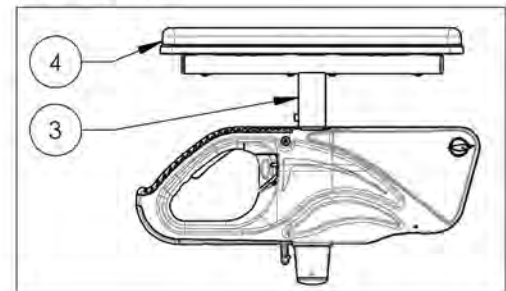
ITEM NO.	PARTNO	DESCRIPTION	9002937 /QTY.	9002938 /QTY.
1	33554	V2 ARMREST - MAIN BODY	2	2
2	33559	V2 ARMREST STRUCTURE 8-12" FOR FULL LENGTH - ASSEMBLY	2	-
3	33560	V2 ARMREST STRUCTURE 10-14" FOR FULL LENGTH - ASSEMBLY	-	2
4	33077	OVATION GEL ARMREST PAD 2x14in, FULL LENGTH	2	2



9002937  
T Type Complete Armrest, 8-12 in, Gel Pad,  
Full Length (Pair)



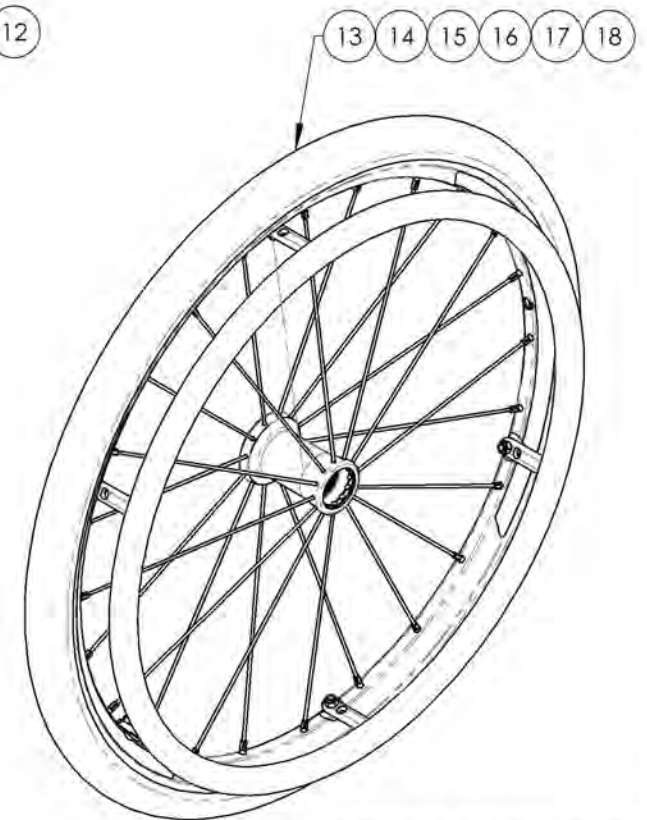
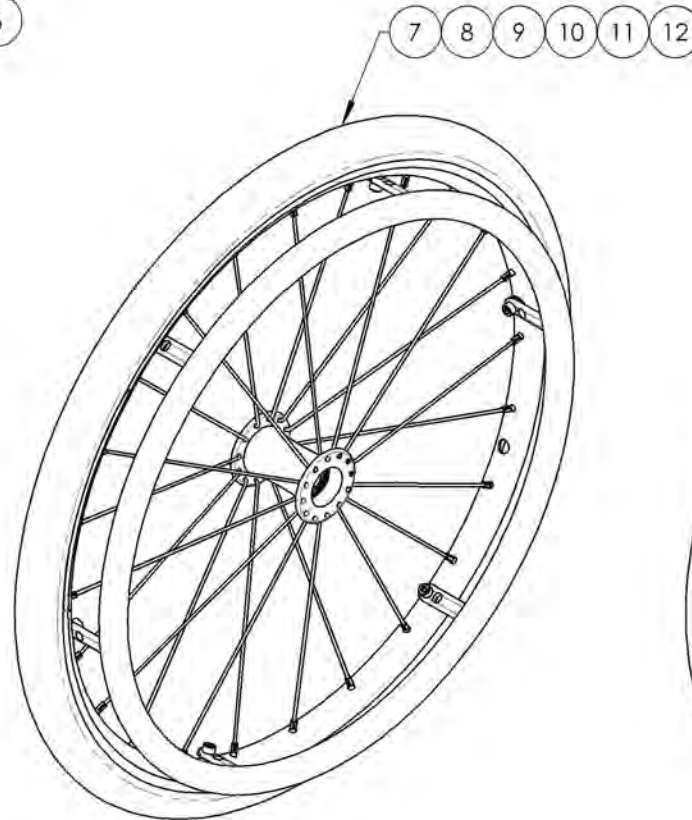
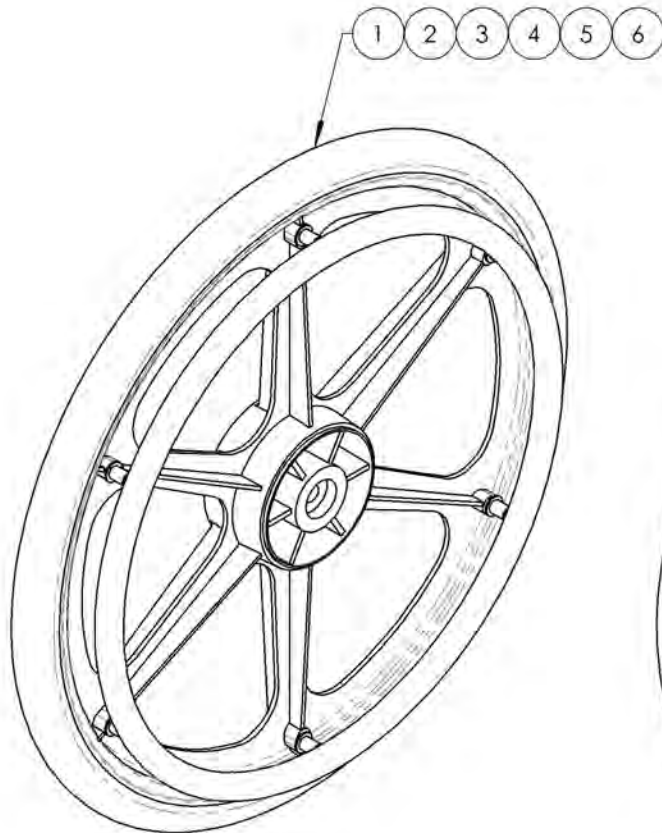
9002938  
T Type Complete Armrest, 10-14 in, Gel Pad,  
Full Length (Pair)



MAKE SURE TO HAVE YOUR SERIAL NUMBER  
NEARBY WHEN ORDERING PARTS FOR YOUR  
MOTION COMPOSITES WHEELCHAIR

**Quick Order Catalogue**  
**Rear Wheel Assembly**

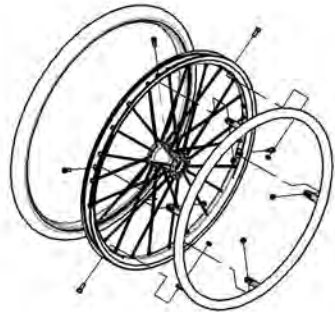
ITEM NO.	PARTNO	DESCRIPTION	QTY:
1	9002169	Rear Wheel - Mag + Soft Urethane Tire + Aluminium Handrim, 20 in	1
2	9002170	Rear Wheel - Mag + Soft Urethane Tire + Plastic Coated Handrim, 20 in	1
3	9002171	Rear Wheel - Mag + Soft Urethane Tire + Aluminium Handrim, 22 in	1
4	9002172	Rear Wheel - Mag + Soft Urethane Tire + Plastic Coated Handrim, 22 in	1
5	9002173	Rear Wheel - Mag + Soft Urethane Tire + Aluminium Handrim, 24 in	1
6	9002174	Rear Wheel - Mag + Soft Urethane Tire + Plastic Coated Handrim, 24 in	1
7	9002148	Rear Wheel - Newton One + Soft Urethane Tire + Aluminium Handrim, 20 in	1
8	9002149	Rear Wheel - Newton One + Soft Urethane Tire + Plastic Coated Handrim, 20 in	1
9	9002175	Rear Wheel - Newton One + Soft Urethane Tire + Aluminium Handrim, 22 in	1
10	9002176	Rear Wheel - Newton One + Soft Urethane Tire + Plastic Coated Handrim, 22 in	1
11	9002177	Rear Wheel - Newton One + Soft Urethane Tire + Aluminium Handrim, 24 in	1
12	9002178	Rear Wheel - Newton One + Soft Urethane Tire + Plastic Coated Handrim, 24 in	1
13	9002179	Rear Wheel - Newton Gravity + Soft Urethane Tire + Aluminium Handrim, 20 in	1
14	9002180	Rear Wheel - Newton Gravity + Soft Urethane Tire + Plastic Coated Handrim, 20 in	1
15	9002181	Rear Wheel - Newton Gravity + Soft Urethane Tire + Aluminium Handrim, 22 in	1
16	9002182	Rear Wheel - Newton Gravity + Soft Urethane Tire + Plastic Coated Handrim, 22 in	1
17	9002183	Rear Wheel - Newton Gravity + Soft Urethane Tire + Aluminium Handrim, 24 in	1
18	9002184	Rear Wheel - Newton Gravity + Soft Urethane Tire + Plastic Coated Handrim, 24 in	1



MAKE SURE TO HAVE YOUR SERIAL NUMBER  
 NEARBY WHEN ORDERING PARTS FOR YOUR  
 MOTION COMPOSITES WHEELCHAIR

**9002148\_9002149 & 9002169\_9002184**  
**Rear Wheel Assembly**

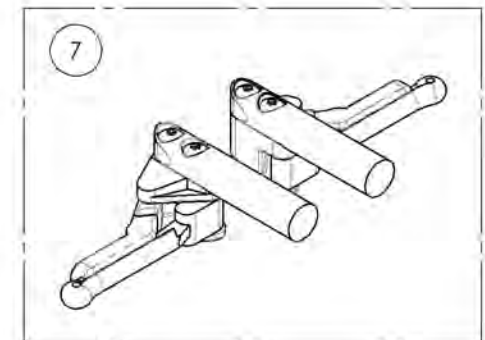
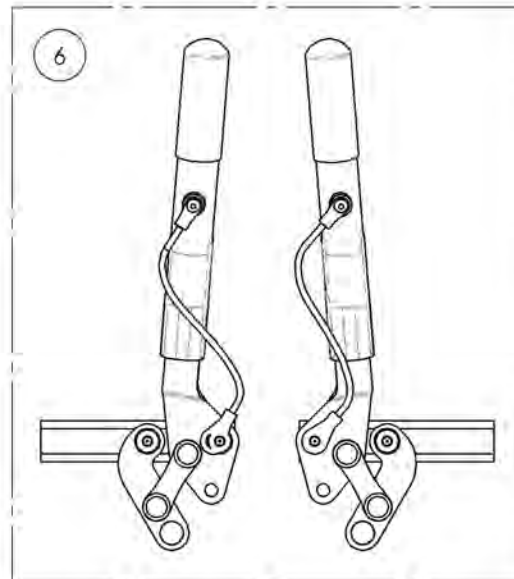
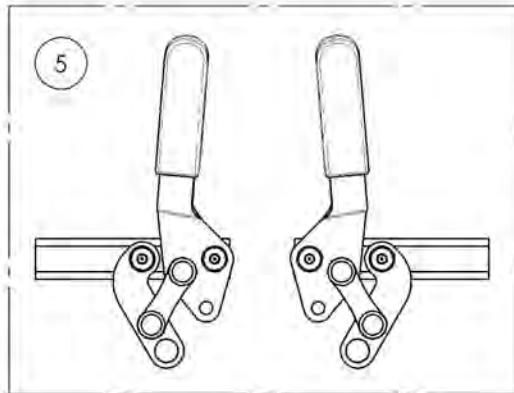
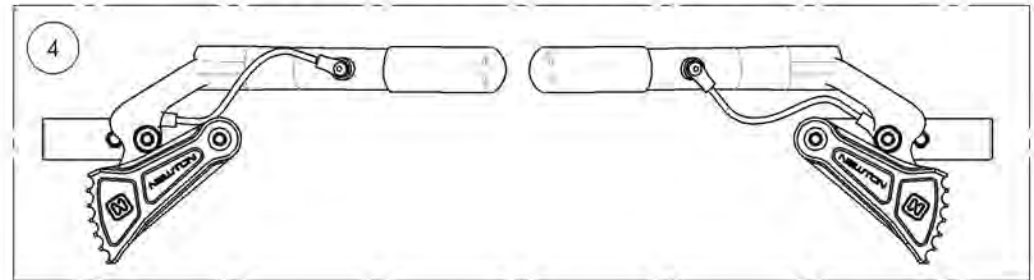
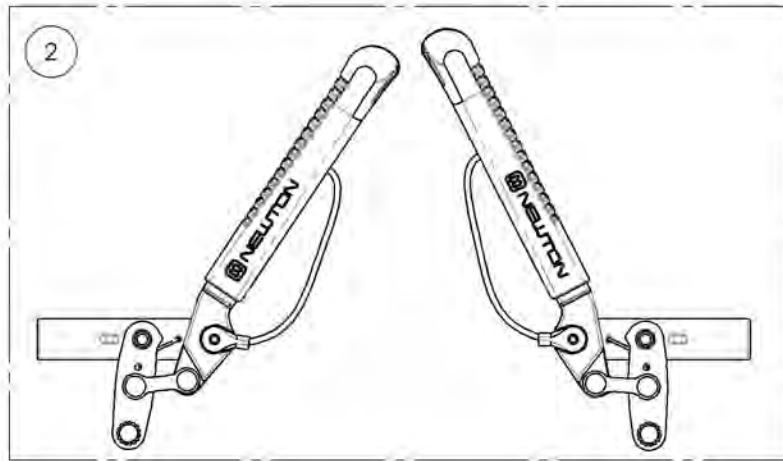
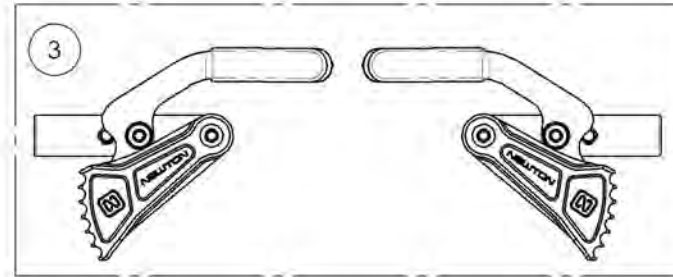
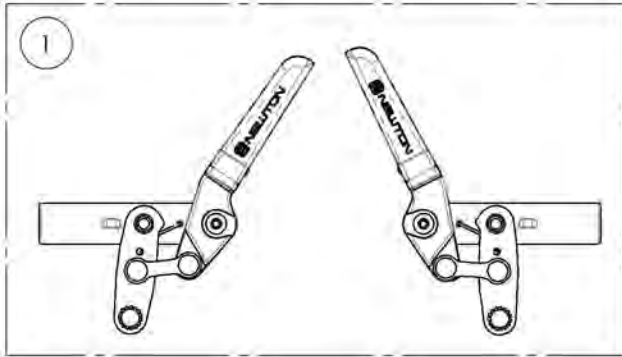
ITEM NO.	PARTNO	DESCRIPTION	9002169 /QTY.	9002170 /QTY.	9002171 /QTY.	9002172 /QTY.	9002173 /QTY.	9002174 /QTY.	9002148 /QTY.	9002149 /QTY.	9002175 /QTY.	9002176 /QTY.	9002177 /QTY.	9002178 /QTY.	9002179 /QTY.	9002180 /QTY.	9002181 /QTY.	9002182 /QTY.	9002183 /QTY.	9002184 /QTY.
1	21105	20" MAG WHEEL	1	1	-	-	-	-	-	-	-	-	-	-	-	-	-	-	-	-
2	21106	22" MAG WHEEL	-	-	1	1	-	-	-	-	-	-	-	-	-	-	-	-	-	-
3	21107	24" MAG WHEEL	-	-	-	-	1	1	-	-	-	-	-	-	-	-	-	-	-	-
4	21118	20 in NEWTON ONE WHEEL	-	-	-	-	-	-	1	1	-	-	-	-	-	-	-	-	-	-
5	21110	22 in NEWTON ONE WHEEL	-	-	-	-	-	-	-	-	1	1	-	-	-	-	-	-	-	-
6	21111	24 in NEWTON ONE WHEEL	-	-	-	-	-	-	-	-	-	-	1	1	-	-	-	-	-	-
7	21113	20" NEWTON GRAVITY WHEEL	-	-	-	-	-	-	-	-	-	-	-	-	1	1	-	-	-	-
8	21114	22" NEWTON GRAVITY WHEEL	-	-	-	-	-	-	-	-	-	-	-	-	-	-	1	1	-	-
9	21115	24" NEWTON GRAVITY WHEEL	-	-	-	-	-	-	-	-	-	-	-	-	-	-	-	-	1	1
10	21365	20" URETHANE TIRE	1	1	-	-	-	-	1	1	-	-	-	-	1	1	-	-	-	-
11	21366	22" URETHANE TIRE	-	-	1	1	-	-	-	-	1	1	-	-	-	-	1	1	-	-
12	21367	24" URETHANE TIRE	-	-	-	-	1	1	-	-	-	-	1	1	-	-	-	-	1	1
13	21236	20" ALUMINUM ANODIZED HANDRIM- MAG WHEEL	1	-	-	-	-	-	-	-	-	-	-	-	-	-	-	-	-	-
14	21205	22" ALUMINUM ANODIZED HANDRIM- MAG WHEEL	-	-	1	-	-	-	-	-	-	-	-	-	-	-	-	-	-	-
15	21206	24" ALUMINUM ANODIZED HANDRIM- MAG WHEEL	-	-	-	-	1	-	-	-	-	-	-	-	-	-	-	-	-	-
16	21237	20IN PLASTIC COATED HANDRIM - MAG WHEEL	-	1	-	-	-	-	-	-	-	-	-	-	-	-	-	-	-	-
17	21207	22 IN PLASTIC COATED HANDRIM - MAG WHEEL	-	-	-	1	-	-	-	-	-	-	-	-	-	-	-	-	-	-
18	21208	24 IN PLASTIC COATED HANDRIM - MAG WHEEL	-	-	-	-	-	1	-	-	-	-	-	-	-	-	-	-	-	-
19	21200	20" ALUMINUM ANODIZED HANDRIM	-	-	-	-	-	-	1	-	-	-	-	-	1	-	-	-	-	-
20	21201	22" ALUMINUM ANODIZED HANDRIM	-	-	-	-	-	-	-	-	1	-	-	-	-	-	1	-	-	-
21	21202	24" ALUMINUM ANODIZED HANDRIM	-	-	-	-	-	-	-	-	-	1	-	-	-	-	-	-	1	-
22	21210	20 in PLASTIC COATED HANDRIM	-	-	-	-	-	-	-	1	-	-	-	-	-	1	-	-	-	-
23	21211	22 in PLASTIC COATED HANDRIM	-	-	-	-	-	-	-	-	-	1	-	-	-	-	-	1	-	-
24	21212	24 in PLASTIC COATED HANDRIM	-	-	-	-	-	-	-	-	-	-	1	-	-	-	-	-	-	1
25	99601	SPACER HANDRIM MAG (last: 200 + 200 comm)	6	6	4	4	4	4	-	-	-	-	-	-	-	-	-	-	-	-
26	99602	SPACER HANDRIM STD WHEEL	6	6	-	-	-	-	-	-	-	-	-	-	-	-	-	-	-	-
27	99564	FLAT WASHER M5 POUR HANDRIM MAG	12	12	8	8	8	8	-	-	-	-	-	-	-	-	-	-	-	-
28	90989	M5 LOW NYLON LOCK	-	-	-	-	-	-	-	-	-	-	-	-	6	6	6	6	6	6
29	21500	REAR WHEEL LOCKNUT INSERT - ASSEMBLY	-	-	-	-	-	-	6	6	6	6	6	6	-	-	-	-	-	-
30	99015	SCREW PHILLIPS #10-32 X 2" HANDRIM MAG + BLUE THREADLOCKER	6	6	4	4	4	4	-	-	-	-	-	-	-	-	-	-	-	-
31	90745	SOCKET CAP SCREW M5X0.8 X 14mm LONG, FULLY THREADED + BLUE TREADLOCKER - BLACK ZINC	-	-	-	-	-	-	6	6	6	6	6	6	-	-	-	-	-	-
32	90744	SOCKET CAP SCREW M5X0.8 X 12mm LONG, FULLY THREADED + BLUE TREADLOCKER - BLACK ZINC	-	-	-	-	-	-	-	-	-	-	-	-	6	6	6	6	6	6



MAKE SURE TO HAVE YOUR SERIAL NUMBER NEARBY WHEN ORDERING PARTS FOR YOUR MOTION COMPOSITES WHEELCHAIR

**Quick Order Catalogue  
Wheel Lock Pair Assembly**

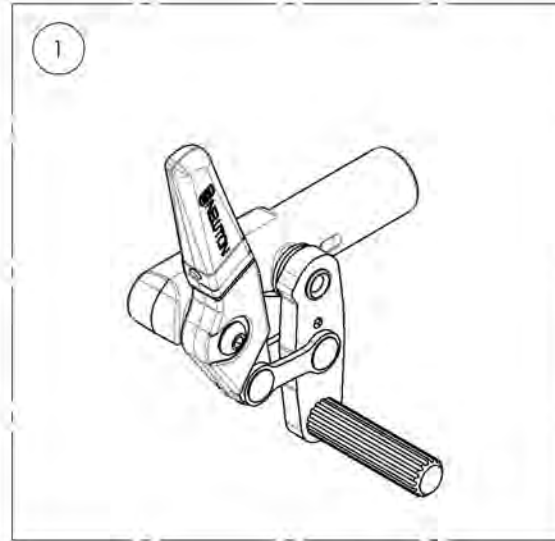
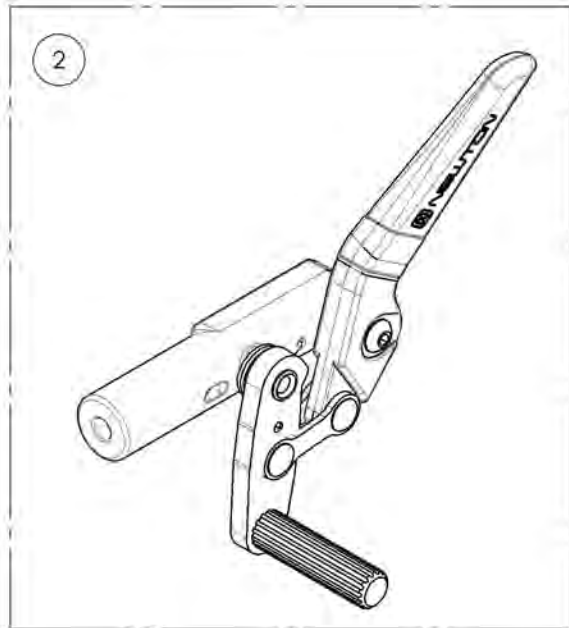
ITEM NO.	PARTNO	DESCRIPTION	QTY.
1	9003022	Wheel Lock - Newton Spring Loaded Push to Lock (Pair)	1
2	9003023	Wheel Lock - Newton Spring Loaded Push to Lock, 6 in Removable Extension Handle (Pair)	1
3	9002269	Wheel Lock - Newton Grade Aid, Push to Lock (Pair)	1
4	9003024	Wheel Lock - Newton Grade Aid, Push to Lock, 6 in Removable Extension Handle (Pair)	1
5	9001577	Wheel Lock - Pull to Lock (Pair)	1
6	9001579	Wheel Lock - Pull to Lock, 6 in Removable Extension Handle (Pair)	1
7	9002268	Wheel Lock - Scissor (Pair)	1



MAKE SURE TO HAVE YOUR SERIAL NUMBER  
NEARBY WHEN ORDERING PARTS FOR YOUR  
MOTION COMPOSITES WHEELCHAIR

**9003022**  
**Wheel Lock - Newton Spring Loaded Push to Lock (Pair)**

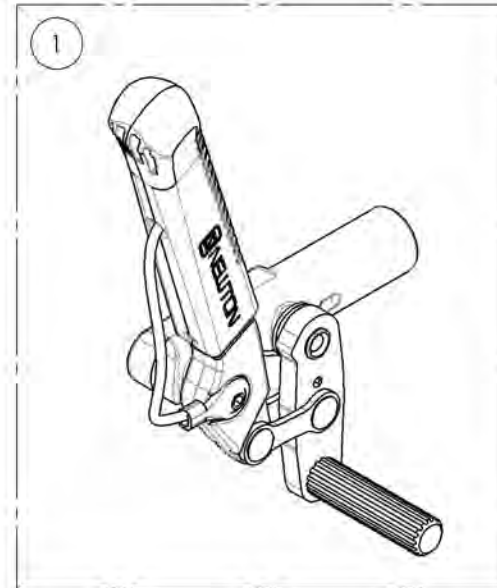
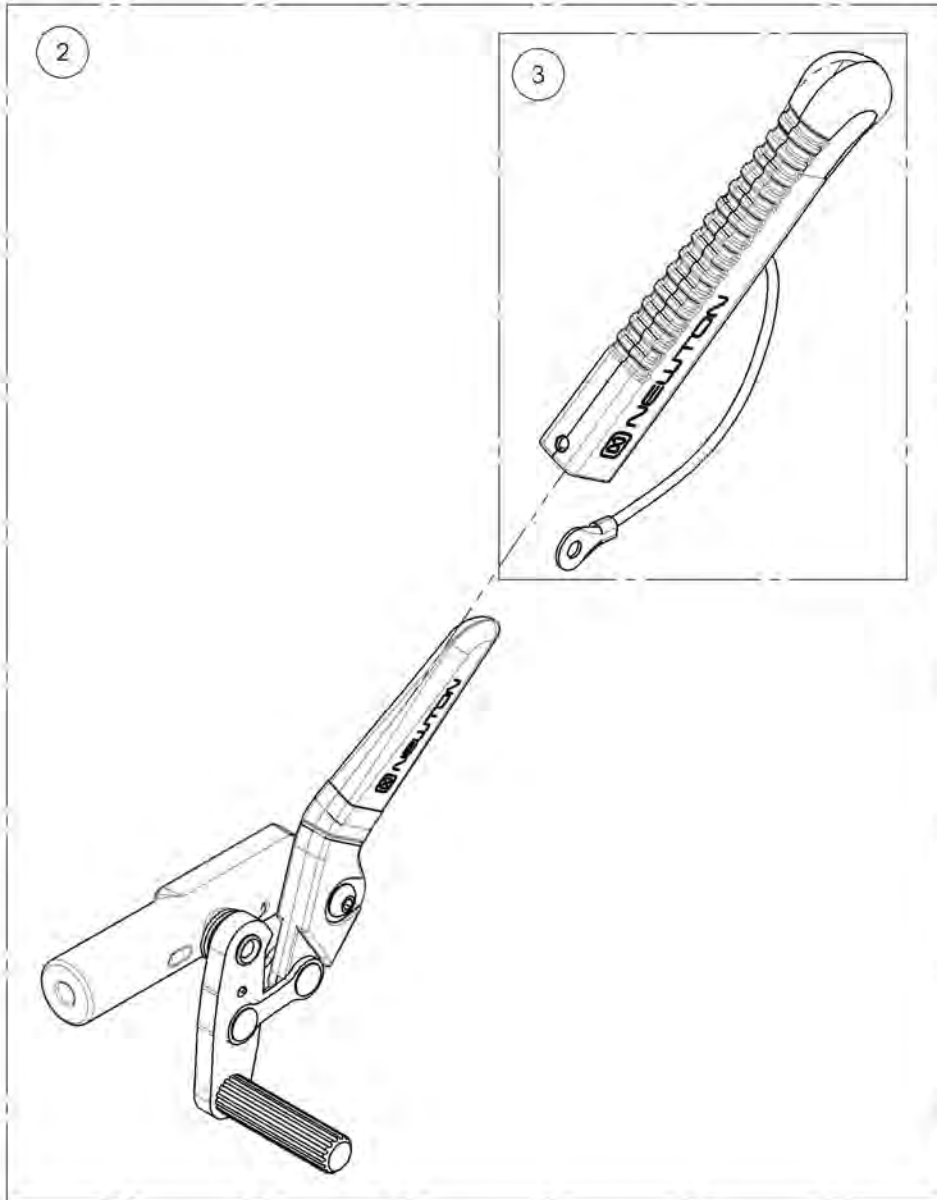
ITEM NO.	PARTNO	DESCRIPTION	9003022 /QTY.
1	41056	PUSH SPRING WHEEL LOCK, LEFT - ASSEMBLY	1
2	41057	PUSH SPRING WHEEL LOCK RIGHT - ASSEMBLY	1



MAKE SURE TO HAVE YOUR SERIAL NUMBER  
NEARBY WHEN ORDERING PARTS FOR YOUR  
MOTION COMPOSITES WHEELCHAIR

**9003023****Wheel Lock - Newton Spring Loaded Push to Lock, 6 in Removable Extension Handle (Pair)**

ITEM NO.	PARTNO	DESCRIPTION	9003023 /QTY.	REPLACEMENT PARTS/QTY.
1	41051	PUSH SPRING WHEEL LOCK LEFT+ EXTENSION - ASSEMBLY	1	-
2	41052	PUSH SPRING WHEEL LOCK RIGHT + EXTENSION - ASSEMBLY	1	-
3	41500	NEWTON REMOVABLE EXTENSION HANDLE - ASSEMBLY	-	1

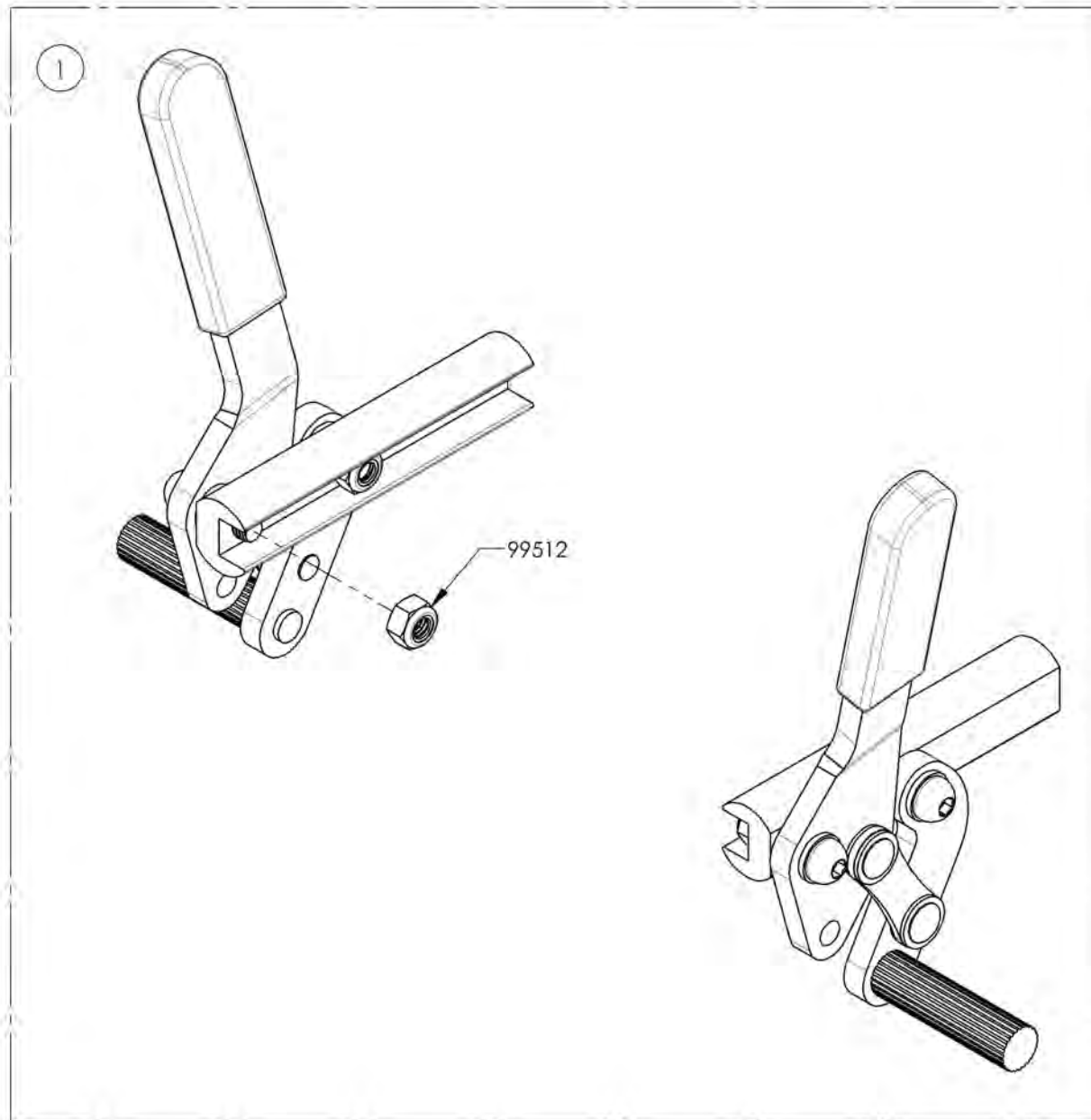


MAKE SURE TO HAVE YOUR SERIAL NUMBER  
NEARBY WHEN ORDERING PARTS FOR YOUR  
MOTION COMPOSITES WHEELCHAIR



**9001577**  
**Wheel Lock - Pull to Lock (Pair)**

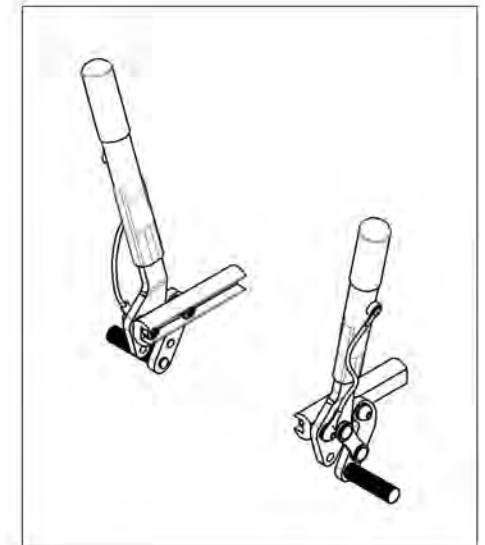
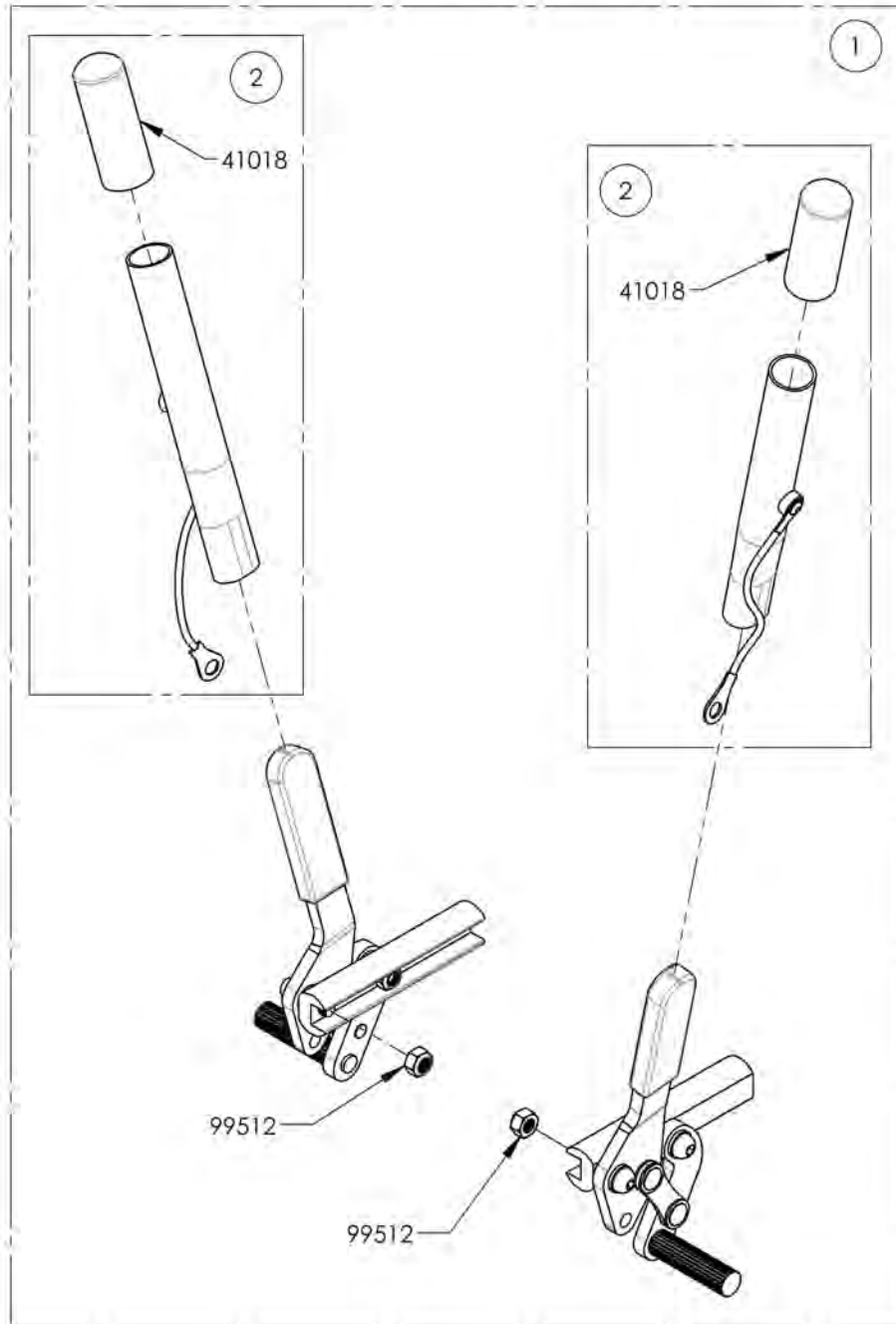
ITEM NO.	PARTNO	DESCRIPTION	9001577 /QTY.
1	41003	PULL TO LOCK WHEEL LOCK (PAIR)	1



MAKE SURE TO HAVE YOUR SERIAL NUMBER  
NEARBY WHEN ORDERING PARTS FOR YOUR  
MOTION COMPOSITES WHEELCHAIR

**9001579**  
**Wheel Lock - Pull to Lock, 6 in Removable Extension Handle (Pair)**

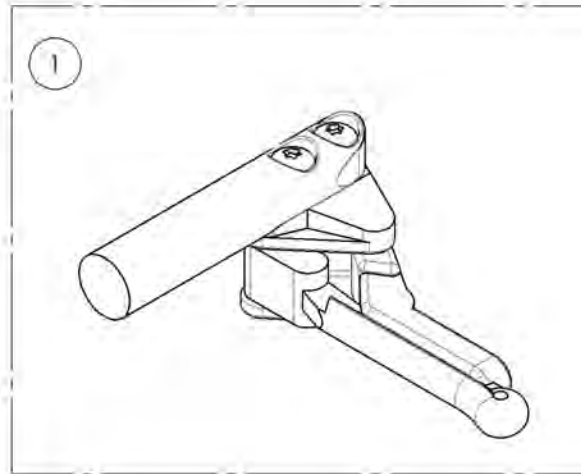
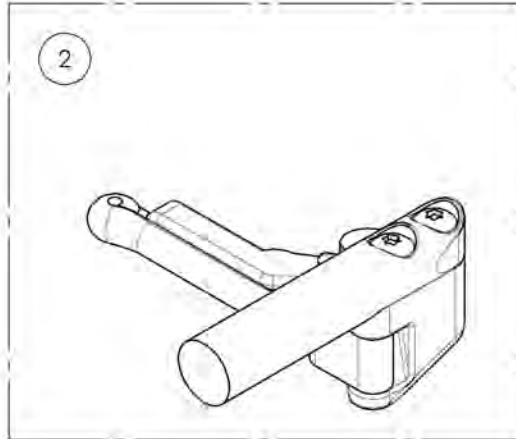
ITEM NO.	PARTNO	DESCRIPTION	9001579 /QTY.	REPLACEMENT PARTS/QTY.
1	41014	PULL TO LOCK WHEEL LOCK + EXTENSION (PAIR)	1	-
2	41005	REMOVABLE EXTENSION HANDLE	-	1



MAKE SURE TO HAVE YOUR SERIAL NUMBER  
 NEARBY WHEN ORDERING PARTS FOR YOUR  
 MOTION COMPOSITES WHEELCHAIR

**9002268**  
**Wheel Lock - Scissor (Pair)**

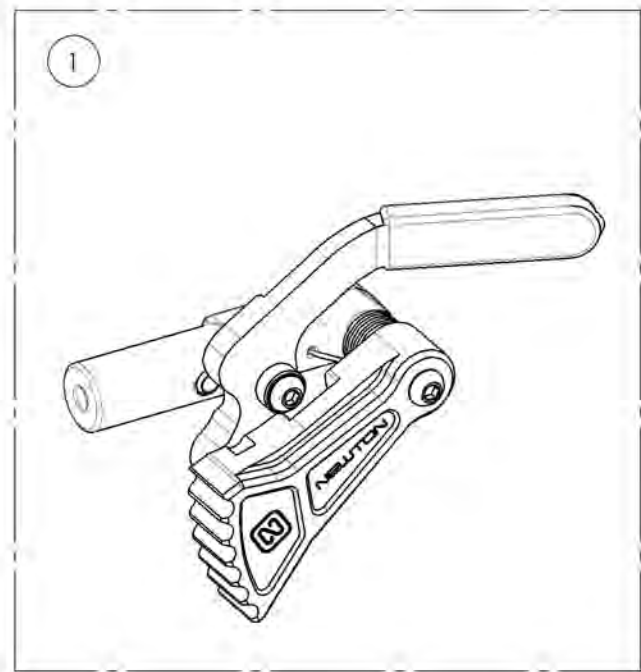
ITEM NO.	PARTNO	DESCRIPTION	9002268 /QTY.
1	41038	OUT-FRONT SCISSOR WHEEL LOCK LEFT	1
2	41039	OUT-FRONT SCISSOR WHEEL LOCK RIGHT	1



MAKE SURE TO HAVE YOUR SERIAL NUMBER  
NEARBY WHEN ORDERING PARTS FOR YOUR  
MOTION COMPOSITES WHEELCHAIR

**9002269**  
**Wheel Lock - Newton Grade Aid, Push to Lock (Pair)**

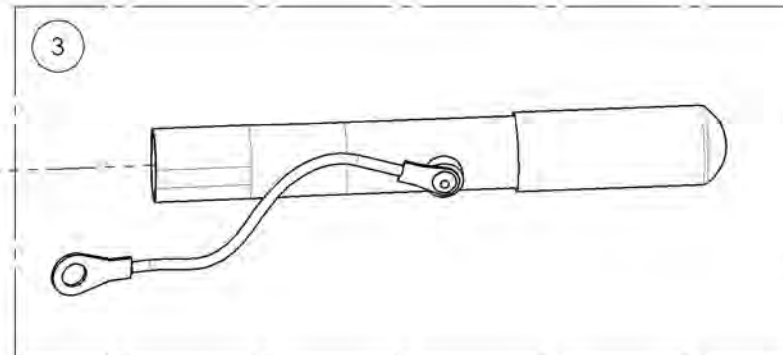
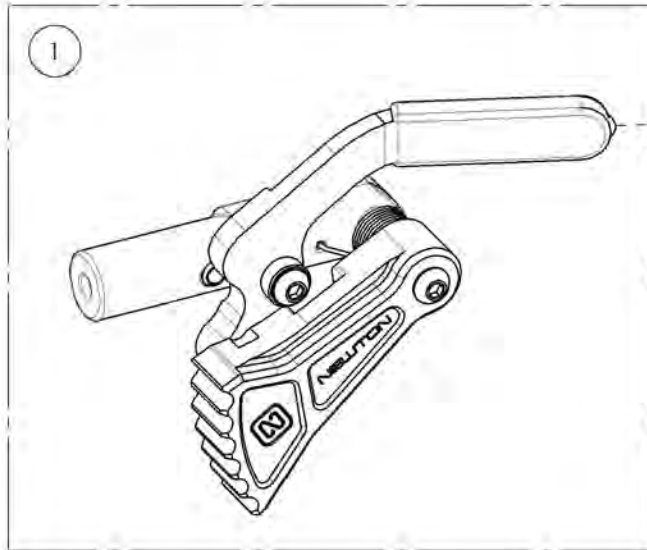
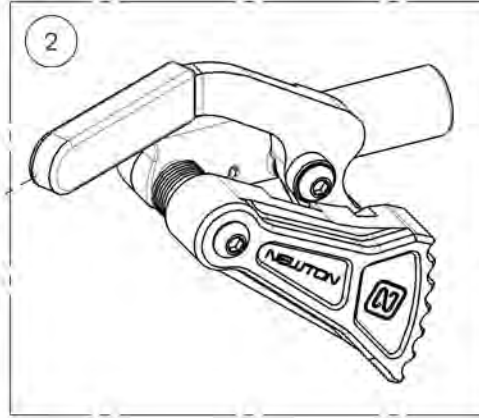
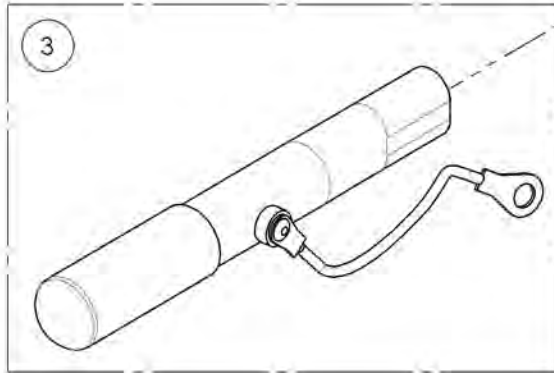
ITEM NO.	PARTNO	DESCRIPTION	9002269 /QTY.
1	41035	GRADE AID BRAKE RIGHT - ASSEMBLY	1
2	41036	GRADE AID BRAKE LEFT - ASSEMBLY	1



MAKE SURE TO HAVE YOUR SERIAL NUMBER  
NEARBY WHEN ORDERING PARTS FOR YOUR  
MOTION COMPOSITES WHEELCHAIR

**9003024**  
**Wheel Lock - Newton Grade Aid, Push to Lock, 6 in Removable Extension Handle (Pair)**

ITEM NO.	PARTNO	DESCRIPTION	9003024 /QTY.
1	41035	GRADE AID BRAKE RIGHT - ASSEMBLY	1
2	41036	GRADE AID BRAKE LEFT - ASSEMBLY	1
3	41005	REMOVABLE EXTENSION HANDLE	2



MAKE SURE TO HAVE YOUR SERIAL NUMBER  
 NEARBY WHEN ORDERING PARTS FOR YOUR  
 MOTION COMPOSITES WHEELCHAIR